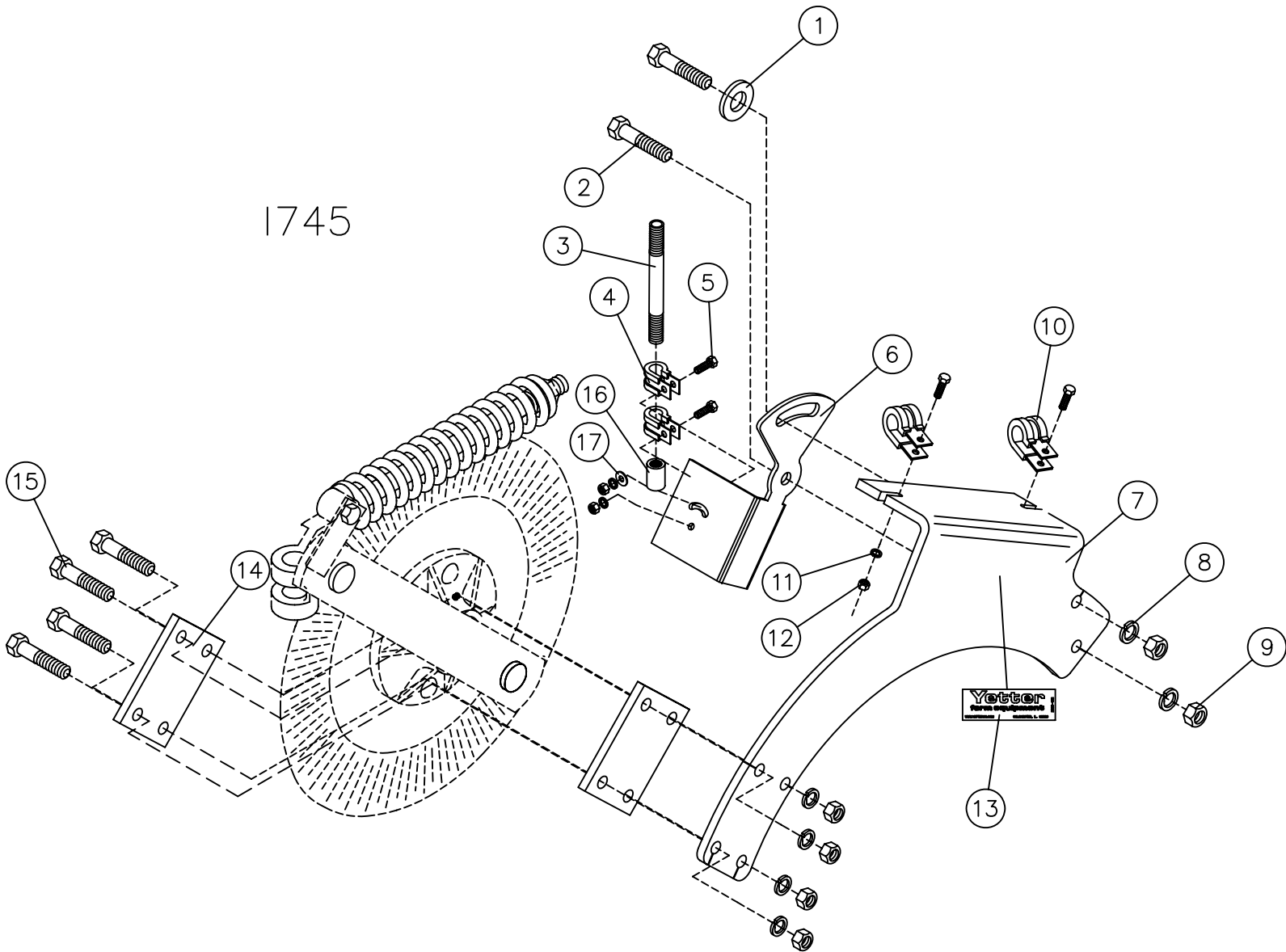


1745



2910-135 - INJECTOR KIT FOR 2910-130-HD

DET	QTY	PART NO.	DESCRIPTION
1	1	2526-351	1/2 STANDARD FLATWASHER ZP
2	2	2502-294	1/2-13 X 1-1/2 HHCS GR. 5 ZP
3	1	2515-318	8" NIPPLE, 1/4 NPT, STAINLESS
4	2	2910-328	1/2" TUBE CLAMP
5	4	2502-105	1/4-20 X 3/4 HHCS GR.5 Z.P.
6	1	2910-325	INJECTOR FAN
7	1	2910-326	HOSE GUARD, FORMED
8	6	2525-352	1/2 MED LOCKWASHER ZP
9	6	2520-352	1/2-13 HEX NUT ZP
10	2	2910-329	3/4" TUBE CLAMP
11	4	2525-151	1/4 MED. LOCKWASHER ZP
12	4	2520-151	1/4-20 HEX NUT ZP
13	1	2565-162	YETTER DECAL, 1-1/2 X 4-1/2
14	2	2910-327	CLAMP PLATE
15	4	2502-313	1/2-13 X 3 HHCS GR. 5 ZP
16	1	2515-312	1/4 NPT X 1 1/16" COUPLER, SS
17	1	2526-151	1/4 STANDARD FLATWASHER ZP