



6200 SERIES N-KEEPER™

6200-060B, 6200-062A

SET UP AND PARTS MANUAL

2565-956_Rev_I – 06/2026



YETTER MANUFACTURING CO.
FOUNDED 1930

Colchester, IL 62326-0358

Toll free: 800/447-5777

309/776-3222 (Fax)

Website: www.yetterco.com

E-mail: info@yetterco.com

YETTER

FOREWORD

You've just joined an exclusive but rapidly growing club.
For our part, we want to welcome you to the group and thank you for buying a Yetter product.

We hope your new Yetter products will help you achieve both goals-increase your productivity and increase your efficiency so that you may generate more profit.

This operator's manual has been designed into four major sections: Foreword, Safety Precautions, Installation Instructions and Parts Breakdown.

This **SAFETY ALERT SYMBOL** indicates important safety messages in the manual. When you see this symbol, be alert to the possibility of **PERSONAL INJURY** and carefully read the message that follows.



DANGER: Indicates an imminently hazardous situation which, if not avoided "will" result in death or serious injury. This signal word is to be limited to the most extreme situations



WARNING: Indicates a potentially hazardous situation which, if not avoided, "could" result in death or serious injury.



CAUTION: Indicates a potentially hazardous situation, which if not avoided, "may" result in minor or moderate injury. It may also be used to alert against unsafe practices.



NOTICE: Indicates information considered important, but not hazard related (e.g., messages relating to property damage).

It is the responsibility of the user to read the operator's manual and comply with the safe and correct operating procedure and to lubricate and maintain the product according to the maintenance schedule in the operator's manual.

The user is responsible for inspecting his machine and for having parts repaired or replaced when continued use of the product would cause damage or excessive wear to the other parts.

It is the user's responsibility to deliver his machine to the Yetter dealer who sold him the product for service or replacement of defective parts, which are covered by the warranty policy.

If you are unable to understand or follow the instructions provided in this publication, consult your local Yetter dealer or contact:

YETTER MANUFACTURING CO.

309/776-4111

800/447-5777

309/776-3222 (FAX)

Website: www.yetterco.com

E-mail: info@yetterco.com

WARRANTY POLICY

Yetter Manufacturing warrants all products manufactured and sold by it against defects in material. This warranty being expressly limited to replacement at the factory of such parts or products as will appear to be defective after inspection. This warranty does not obligate the Company to bear cost of labor in replacement of parts. It is the policy of the company to make improvements without incurring obligations to add them to any unit already sold. No warranty is made or authorized to be made, other than herein set forth. This warranty is in effect for one year after purchase.

Dealer : _____

Yetter Manufacturing warrants its own products only and cannot be responsible for damage to equipment on which mounted.



SAFETY PRECAUTIONS



A brief description of signal words that may be used in this manual:

DANGER: Indicates an imminently hazardous situation which, if not avoided “will” result in death or serious injury. This signal word is to be limited to the most extreme situations.

WARNING: Indicates a potentially hazardous situation which, if not avoided, “could” result in death or serious injury.

CAUTION: Indicates a potentially hazardous situation, which if not avoided, “may” result in minor or moderate injury. It may also be used to alert against unsafe practices.

NOTICE: Indicates information considered important, but not hazard related (e.g., messages relating to property damage).

Consult your implement and tractor operator’s manual for correct and safe operating practices. Be aware of towed implement width and allow safe clearance.

Safety decals are placed on the implement to alert the operator and others to the risk of personal injury or unsafe operation during normal operations and servicing.

1. The safety decals must be kept clean and in good condition to ensure that they are legible.
2. Safety decals must be replaced if they are missing or illegible.
3. When components are replaced during repair or servicing, check that the new components include the necessary safety signs.
4. Replacement safety decals may be obtained from your local dealer.



WARNING

Read these instructions carefully to acquaint yourself with the Equipment. Working with unfamiliar equipment can lead to accidents.

Never park the equipment on a steep incline or leave the equipment running unattended.

Never clean, lubricate or adjust a machine that is in motion.

Always check that straps are secure.

Make sure latches are in pinned position when moving equipment.

Do not allow children to operate this equipment.

Do not allow riders on the equipment, trailer and/or pick-up.

Use speed and caution dictated by the terrain being traversed. Do not operate on any slope steep enough to cause tipping or loss of control.

Read and understand the operator’s manual and require all other persons who will operate the equipment to do the same.

If operating on public roadways, where legal, be certain all lighting is operating properly and observe all traffic laws.

Beware of increased stopping distances and control effort when operating with implements attached.

Be familiar with all controls and be prepared to stop equipment quickly in an emergency.

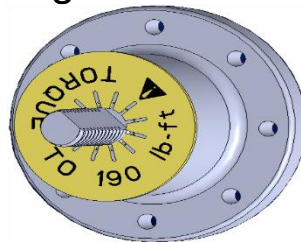
FAILURE TO HEED MAY RESULT IN PERSONAL INJURY OR DEATH.

TABLE OF CONTENTS

FOREWORD.....	2
WARRANTY.....	2
SAFETY INFORMATION.....	2-3
TORQUE.....	5
MAINTENANCE.....	6-8
ADJUSTMENTS.....	9-10
PART IDENTIFICATION	
6200-060B-L/R.....	11
6200-062A-L/R.....	12
6200-167-L/R.....	13
6200-115.....	14
2966-117-ST & 2966-116-ST.....	15-17
6200-161..... Yetter 2995 & 2996 Coulter.....	18
6200-162..... Shield, CNH, DMI Yetter 2995-086 Pre 2016 Coulter..	19
6200-163..... Clymer Liquid Knife Coulter.....	20
6200-165..... Clymer Liquid Injection Coulter.....	21
6200-166..... Yetter 2995-086 Xtreme Coulter 2016-Present.....	22
6200-124..... Blue Jet Coulter.....	23
6200-172..... Ag System Coulter.....	24
6200-175..... Blue Jet Hardware Kit.....	25
PHOTOS.....	26-27



NOTICE: Torque the bearing assemblies at **190 ft.lbs**



BOLT TORQUE



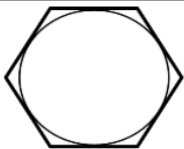



NOTICE: Over tightening hardware can cause as much damage as when under tightening. Tightening hardware beyond the recommended range can reduce its shock load capacity.

The chart below is a guide for proper torque. Use it unless a specified torque is called out elsewhere in the manual.

Torque is the force you apply to the wrench handle or the cheater bar, times the length of the handle or bar.

Use a torque wrench whenever possible.

The following table shows torque in ft. lbs. for coarse thread hardware.

Bolt Diameter and Threads per Inch	 Grade 2	 Grade 5	 A-325	 Grade 8
1/4	6	10	14	14
5/16	12	20	30	30
3/8 – 16	25	35	50	50
7/16 – 14	35	55	80	80
1/2 – 13	55	85	125	125
9/16 – 12	75	125	175	175
5/8 – 11	105	170	235	235
3/4-10	185	305	425	425
7/8 – 9	170	445	690	690
1-8	260	670	1030	1030
1 1/8 – 7	365	900	1460	1460
1 1/4 - 7	515	1275	2060	2060
1 3/8 – 6	675	1675	2700	2700
1 1/2 - 6	900	2150	3500	3500
1 3/4 – 5	1410	3500	5600	5600

MAINTENANCE



NOTICE: Regularly inspect the 6200 N-Keeper™ system for loose or worn parts. Repair and replace as needed.

Lubrication



CAUTION: To help prevent serious injury or death to you or others, service machinery on a level surface. Lower machine to ground or sufficiently lock or block raised machine before servicing. If machine is connected to tractor, engage parking brake and place transmission in “PARK”, shut off engine and remove key. If machine is detached from tractor, block wheels and use jack stands to prevent movement.



CAUTION: Do not clean, lubricate, or adjust machine while in motion.

Use grease based on NLGI consistency number and the expected air temperature range during operation.

Use a **multi-purpose polyurea, water resistant, moderate speed, and NLGI grade #2** grease. Other greases may be used if they meet the **NLGI performance standard**.

IMPORTANT: Some types of grease thickener are not compatible with others. Consult your grease supplier before mixing different types of grease.

Alternative Lubricants

Conditions in certain geographical areas may require special lubricants and lubrication practices which do not appear in the operator's manual. If there are any questions, consult Yetter Manufacturing Co. to obtain the latest information and recommendations.

Storing Lubricants

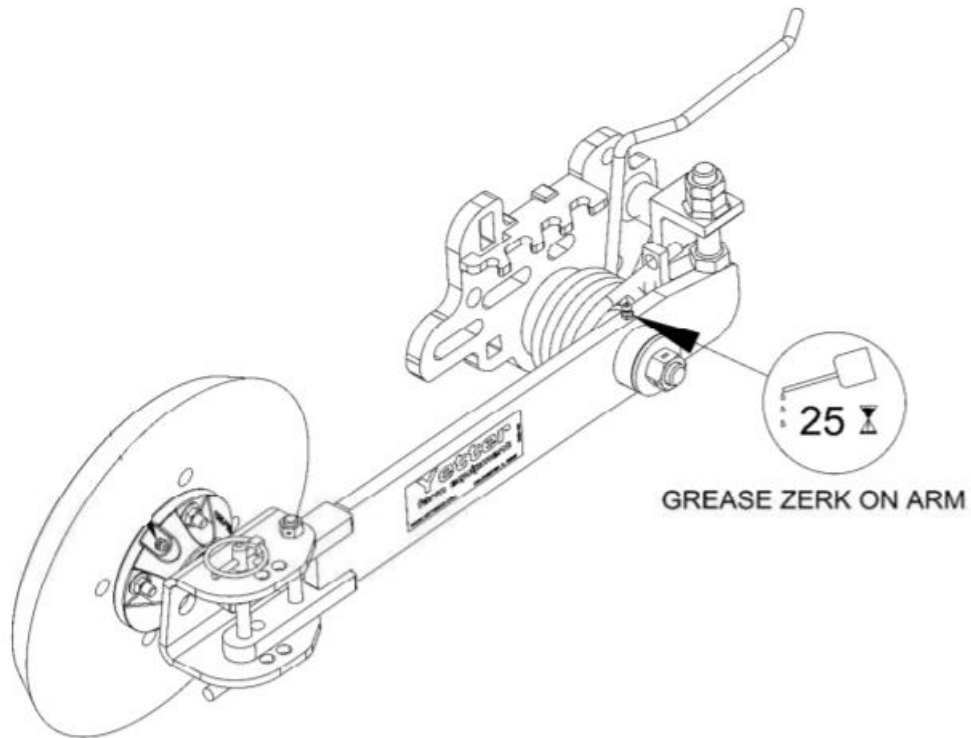
Your machine can operate at top efficiency only if clean lubricants are used. Use clean containers to handle all lubricants.

Store them in an area protected from dust, moisture, and other contaminants.

MAINTENANCE

Lubrication Intervals

Lubricate with grease at hourly interval indicated on symbol.



NOTICE: The recommended service intervals are based on normal operating conditions. Severe or unusual conditions may require more frequent lubrication.

Perform each lubrication and service procedure at the beginning and each of each season. Clean grease fittings before using grease gun to avoid injecting dirt and grit into the bearing. Replace and lost or broken fittings immediately. If a fitting fails to take grease, remove and clean thoroughly, replace if necessary. Also check for failure of adjoining parts.

MAINTENANCE

Storing the Equipment

Store the machine in an area away from human activity.

Store the machine in a RAISED position.

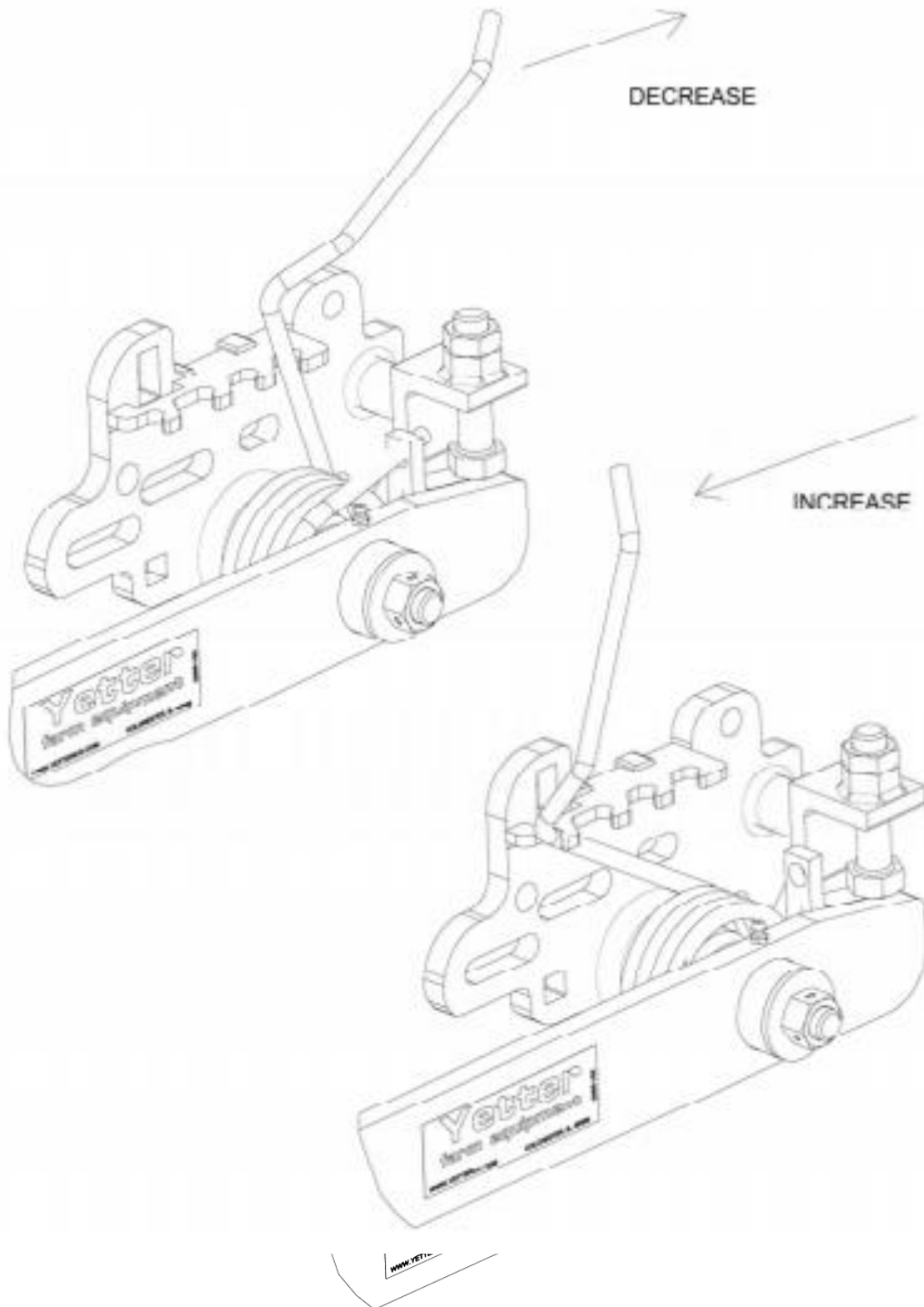
Install service locks on all wheel cylinders.

At the end of the season the machine should be thoroughly inspected and prepared for storage. Repair or replace any worn or damaged components to prevent down time at the beginning of the following season. Store machine under cover with all parts in operating condition.

- Clean machine thoroughly to remove all dirt, debris, and crop residue.
- Inspect machine for worn or broken parts. See your Yetter Farm Equipment dealer during the off-season so parts and service can be acquired when the machine is not needed in the field.
- Lubricate bearings as outlined in the lubrication section.
- Paint all parts which are chipped or worn to prevent rust.
- Store machine in a clean, dry location with the unit out of the sun.
- If the machine cannot be stored inside, cover with a waterproof tarpaulin and tie securely in place
- Do not allow children to play on or around the machine.

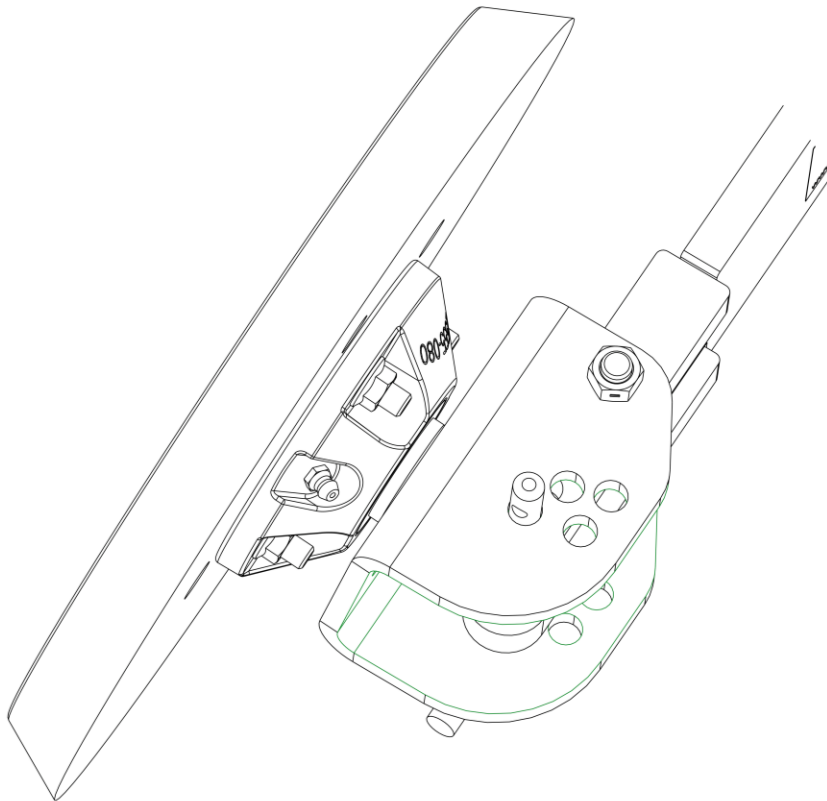
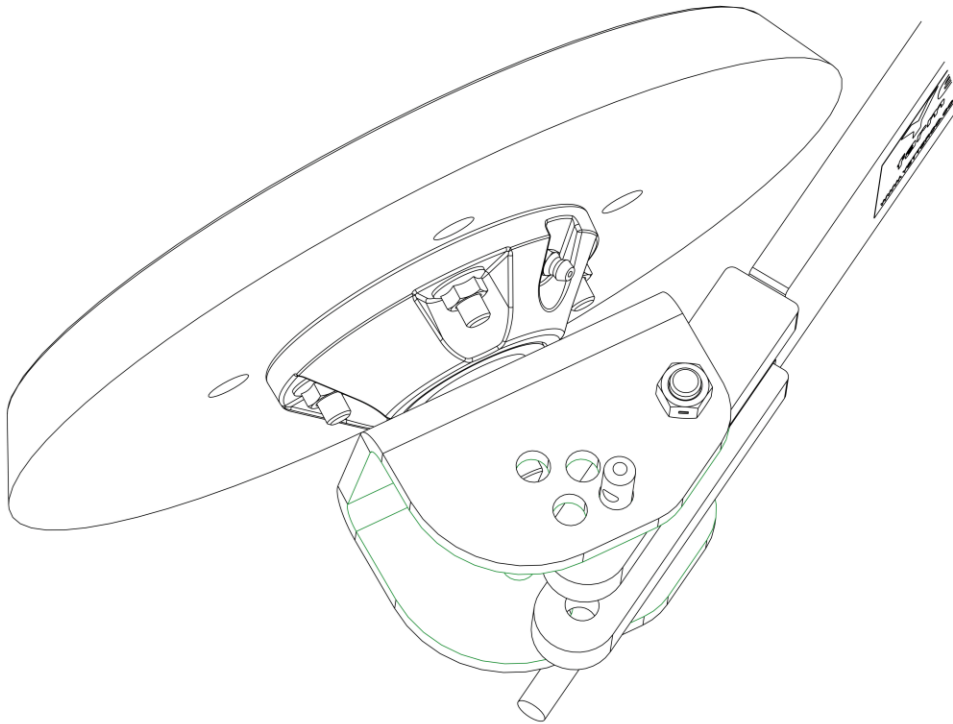
OPERATION ADJUSTMENTS

DOWNFORCE ADJUSTMENT



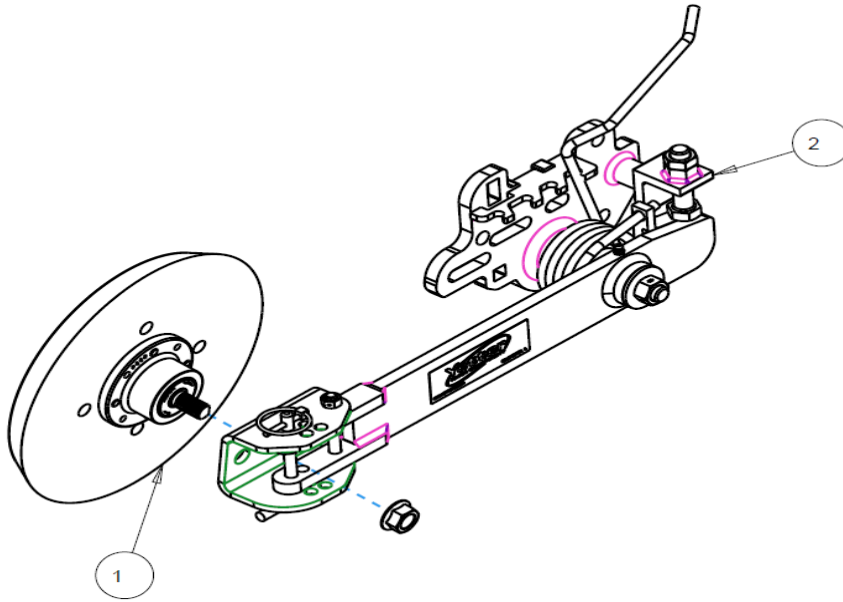
OPERATION ADJUSTMENTS

WHEEL ANGLE ADJUSTMENT



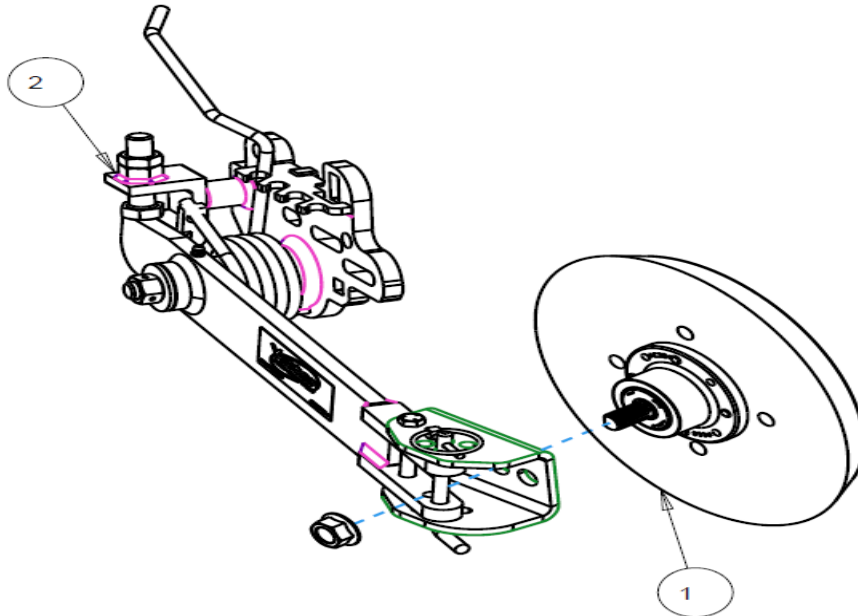
PART IDENTIFICATION

6200-060B-L CLOSING WHEEL ASSEMBLY



ITEM	PART NO	DESCRIPTION	QTY
1	6200-115	CAST CLOSING WHEEL ASSEMBLY	1
2	6200-167-L	LEFT HAND ARM ASSEMBLY	1
3	2520-465	5/8-11 FLANGE NUT GRADE 8	1

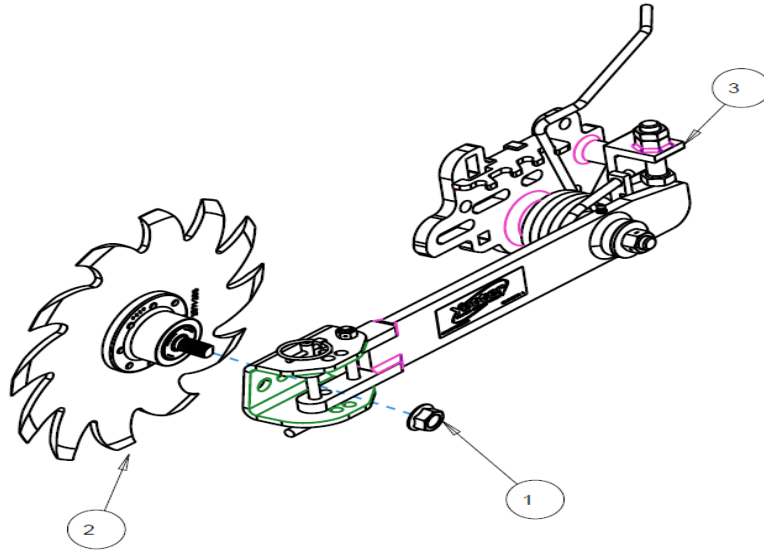
6200-060B-R CLOSING WHEEL ASSEMBLY



ITEM	PART NO	DESCRIPTION	QTY
1	6200-115	CAST CLOSING WHEEL ASSEMBLY	1
2	6200-167-R	RIGHT HAND ARM ASSEMBLY	1
3	2520-465	5/8-11 FLANGE NUT GRADE 8	1

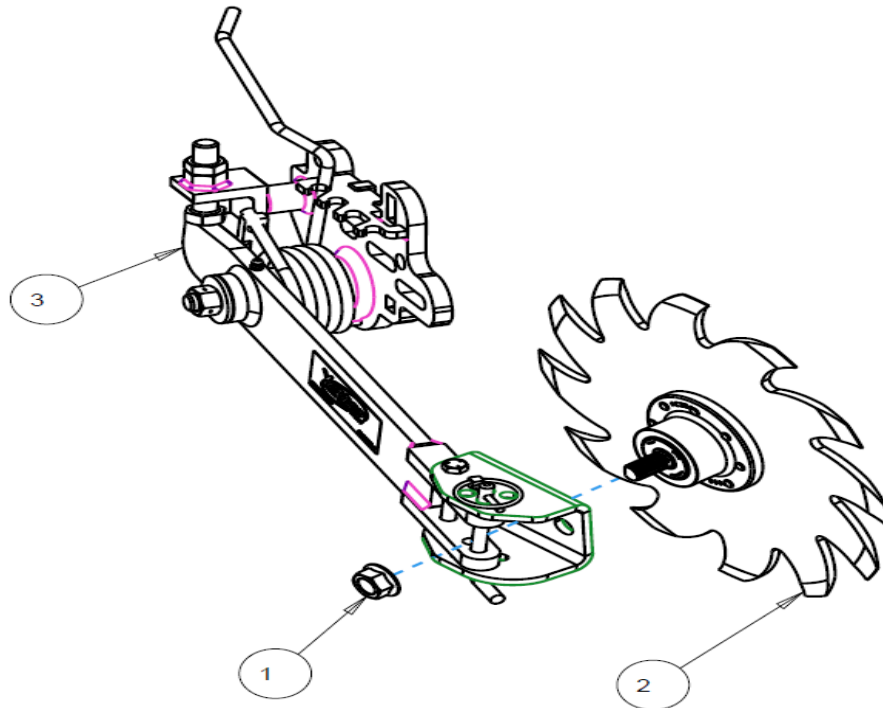
PART IDENTIFICATION

6200-062A-L CLOSING WHEEL ASSEMBLY



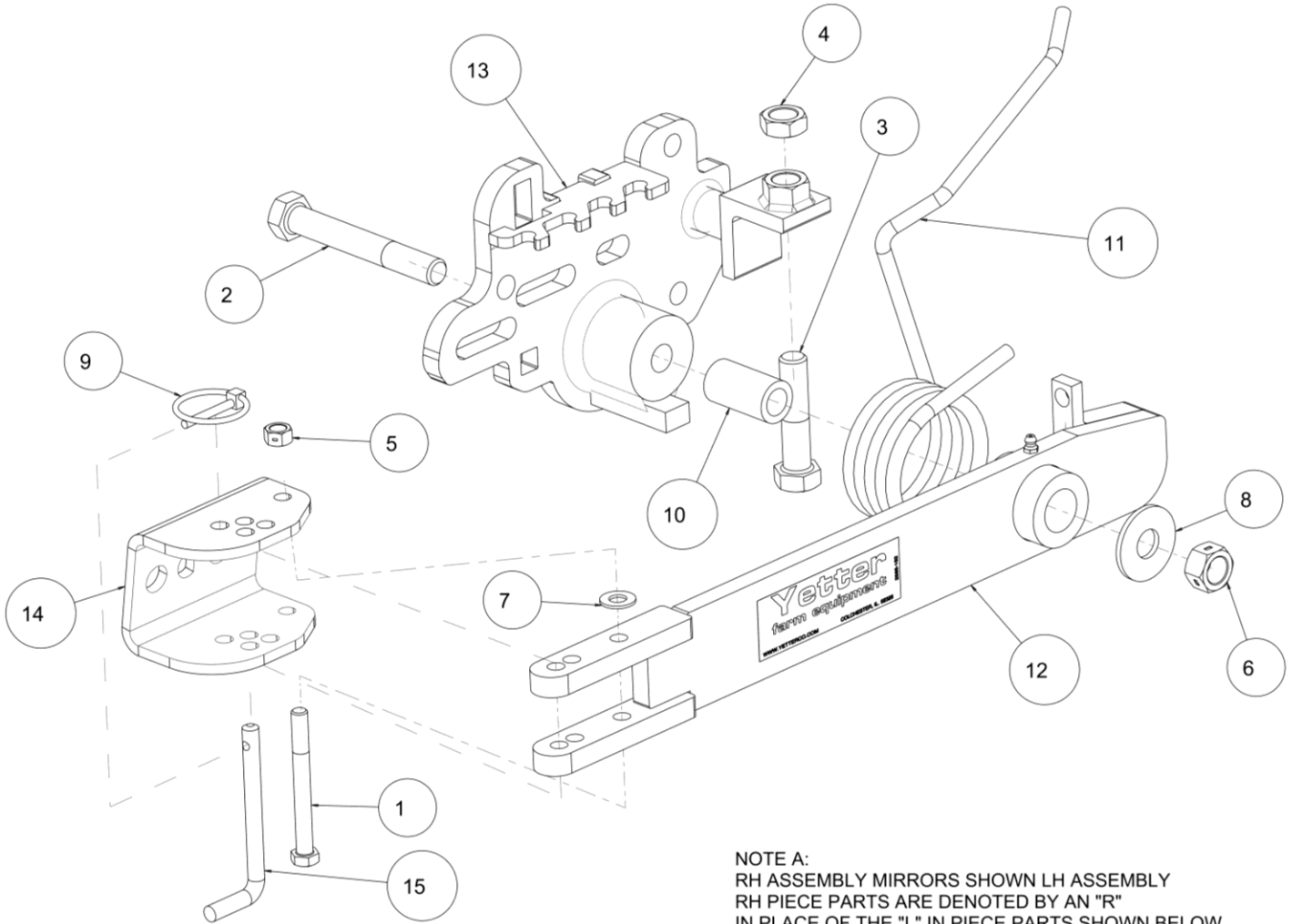
ITEM	PART NO	DESCRIPTION	QTY
1	2520-465	5/8-11 FLANGE NUT GRADE 8	1
2	2967-117-ST	L.H. SHARK TOOTH WHEEL ASSEMBLY	1
3	6700-167-L	LEFT HAND ARM ASSEMBLY	1

6200-062A-R CLOSING WHEEL ASSEMBLY



ITEM	PART NO	DESCRIPTION	QTY
1	2520-465	5/8-11 FLANGE NUT GRADE 8	1
2	2967-116-ST	R.H. SHARK TOOTH WHEEL ASSEMBLY	1
3	6700-167-R	RIGHT HAND ARM ASSEMBLY	1

PART IDENTIFICATION
6200-167-L
LH ASSEMBLY

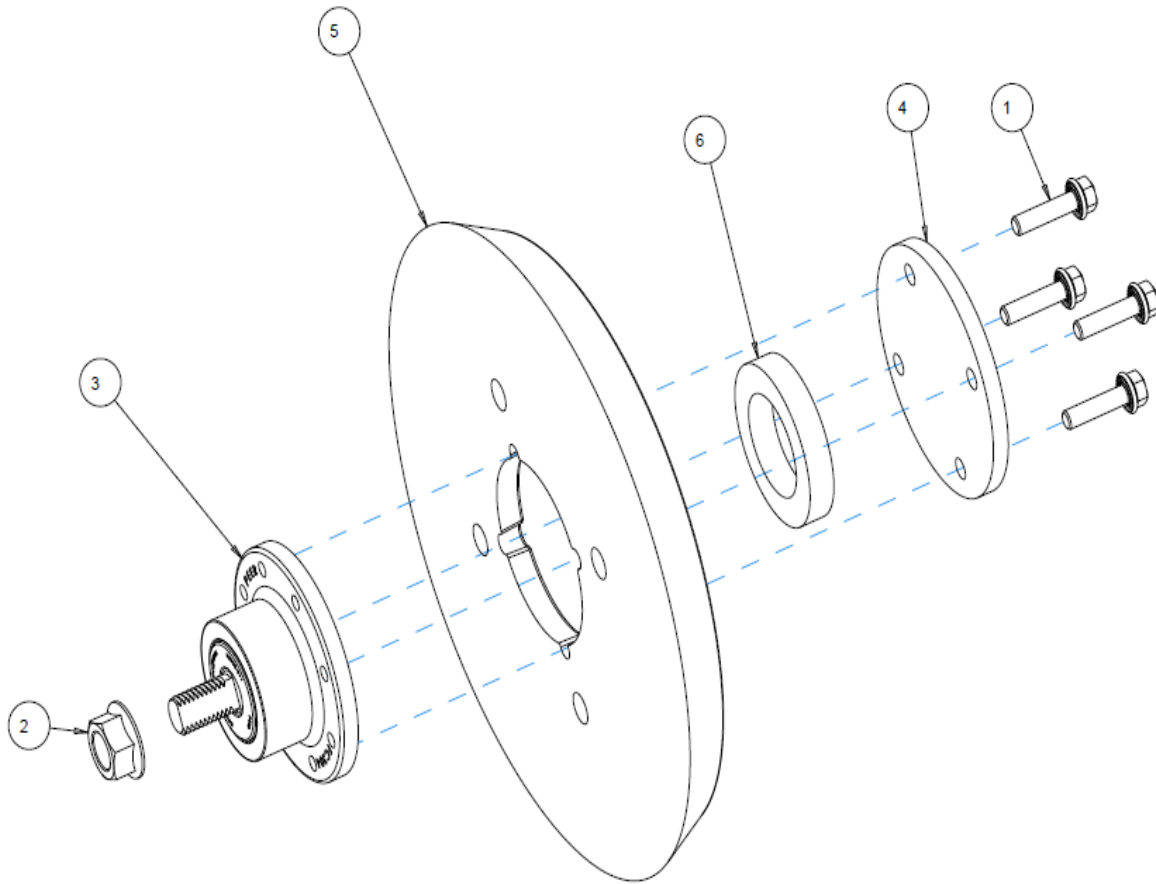


NOTE A:
 RH ASSEMBLY MIRRORS SHOWN LH ASSEMBLY
 RH PIECE PARTS ARE DENOTED BY AN "R"
 IN PLACE OF THE "L" IN PIECE PARTS SHOWN BELOW

ITEM	PART #	DESCRIPTION	QTY
1	2502-243	3/8- 16 X 3-1/2 HHCS GR 5	1
2	2502-334	5/8-11 X 4-1/2 HHCS GR5 ZP	1
3	2502-390	5/8-11 X 2-3/4 FL THD HHCS GR 5 ZP	1
4	2520-453	5/8-11 JAM HEX NUT ZP	1
5	2520-255	3/8-16 LOCK HEX NUT ZP	1
6	2520-459	5/8-11 LOCK HEX NUT, GR A, ZP	1
7	2526-253	3/8 SAE FLATWASHER ZP	1
8	2526-451	5/8 STD FLATWASHER ZP	1
9	2570-455	3/16 LYNCH PIN	1
10	2984-411	FRONT PVT BUSHING,FLT LNK, ZYD	1
(A)	11	2987-395-L PAINTED LH CLSNG ARM TORS SPRG	1
(A)	12	6200-168-L LH CLOSING WHEEL MACHINED	1
(A)	13	6200-235-L LH COULTER CLOSING MOUNT W.A.	1
(A)	14	6200-438-L LH WHEEL MOUNT	1
15	6200-439	3/8 X 1.313 X 3.95" BENT PIN, 90 DEG.	1

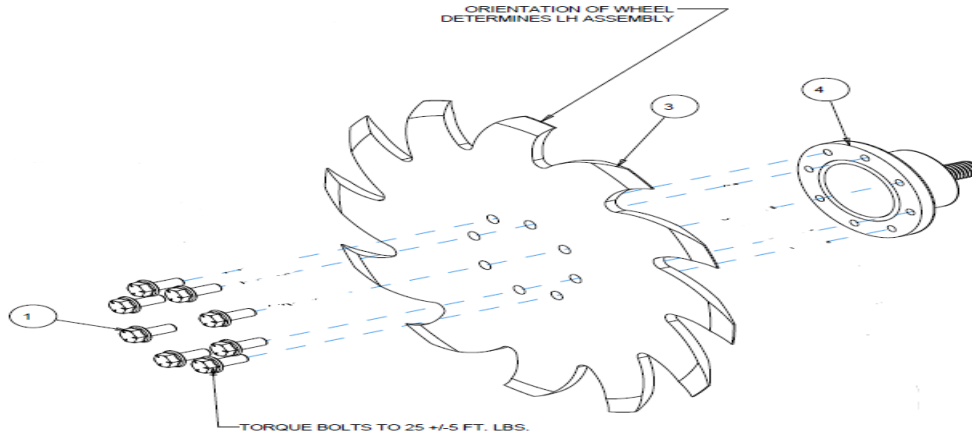
PART IDENTIFICATION

6200-115 WHEEL ASSEMBLY



ITEM	PART NO	DESCRIPTION	QTY
1	2502-222	5/16-18 X 1-1/4 HHFS GRADE 5	1
2	2520-465	5/8-11 FLANGE NUT GRADE 8	1
3	2965-502	HUB ASSEMBLY 1.157 SPINDLE	1
4	2965-503	HUB CAP	1
5	2987-396	CAST WHEEL	1
6	6200-456	SPACER	1

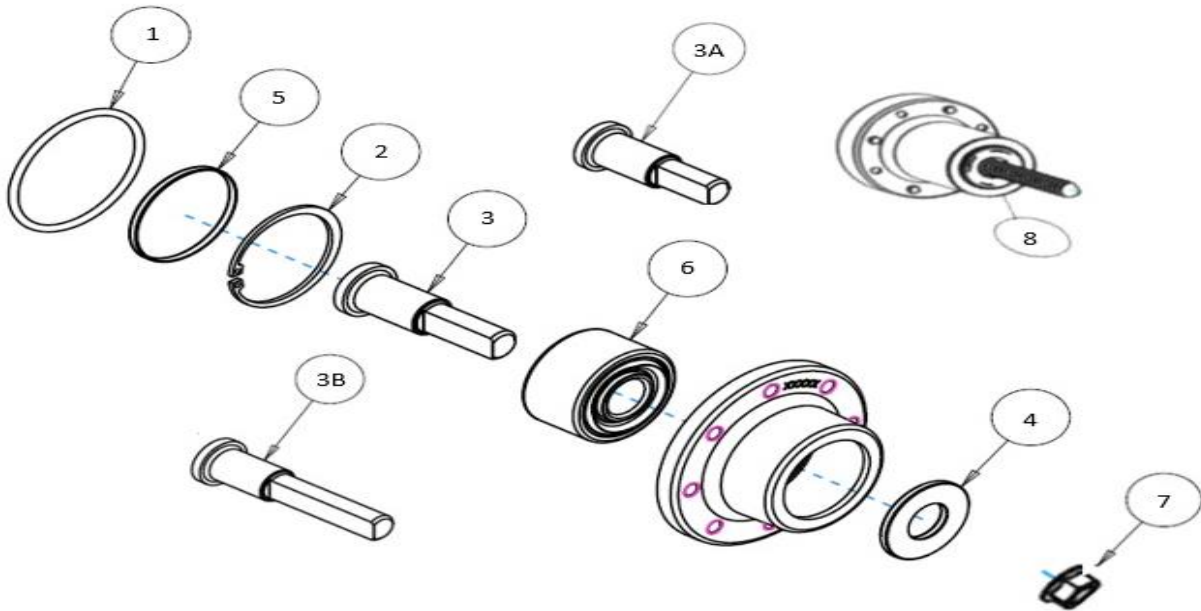
PART IDENTIFICATION



ITEM	PART NO.	DESCRIPTION	QTY
1	2502-220	5/16-18 X 3/4 HHFS GR5 ZP	8
2	2515-562	13" WHEEL COVER, BLACK	2
3	2571-286	SHARKTOOTH WHEEL, 8 BOLT	1
4	2965-502	HUB ASSEMBLY, 1.157" SPINDLE	1

MANUFACTURED 06/2021 – PRESENT

8 BOLT HUB ASSEMBLY

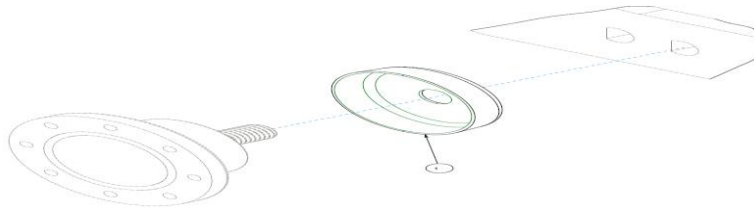


ITEM	PART #	DESCRIPTION	QTY
1	2550-074	O-RING 3.55MM X 56MM ID	1
2	2550-529	SNAP RING	1
3	2965-600A	SHAFT 73 MM (2965-500A HUB ASSEMBLY)	1
3A	2965-602A	SHAFT 66.7 MM (2965-502A HUB ASSEMBLY)	1
3B	2965-601A	SHAFT 98.4 MM (2965-501A HUB ASSEMBLY)	1
4	2965-604A	SPACER	1
5	2965-605A	CAP	1
6	2965-606	BEARING	1
7	2520-465	5/8-11 FLANGE HEX NUT GRADE 8	1
8	2965-500A	HUB ASSEMBLY 1.406" SPINDLE	1
	2965-501A	HUB ASSEMBLY 2.406" SPINDLE	1
	2965-502A	HUB ASSEMBLY 1.157" SPINDLE	1



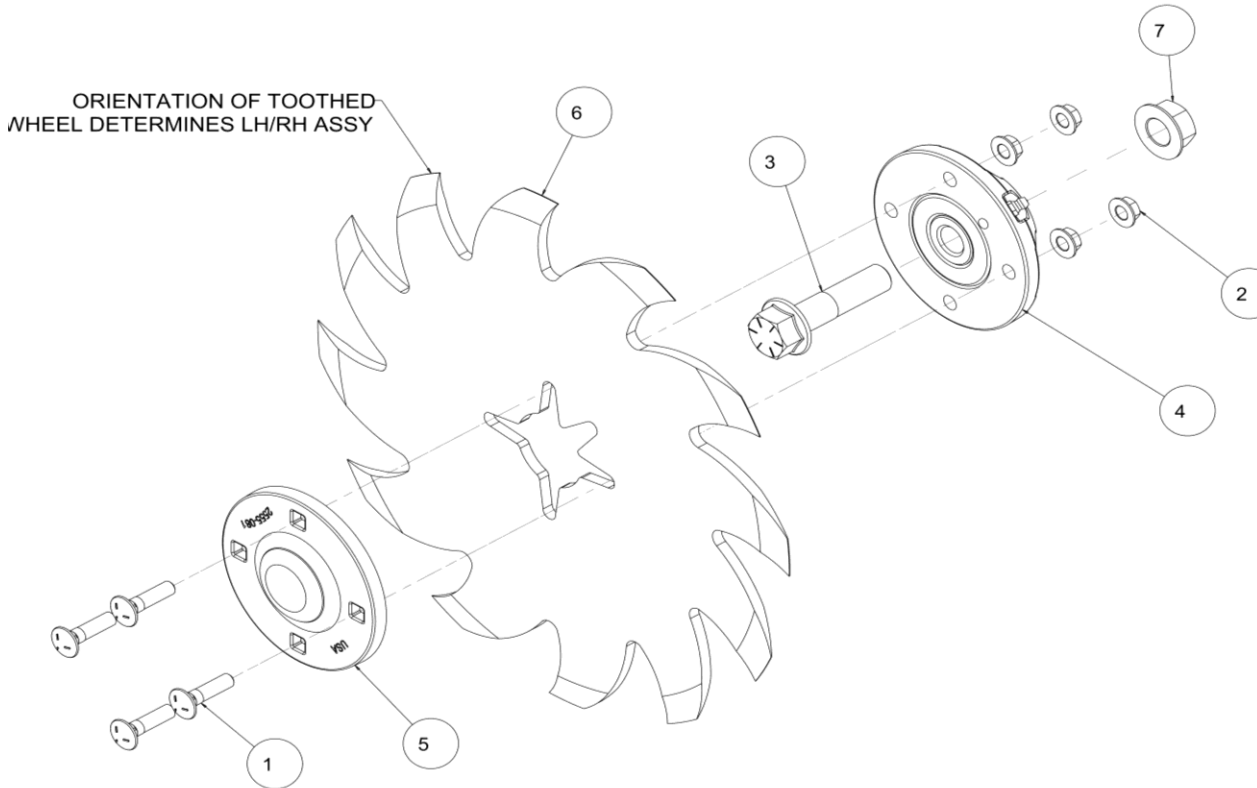
NOTICE: Torque the bearing assemblies at **190 ft.lbs**

OPTION



ITEM	PART NO.	DESCRIPTION	QTY.
1	2965-550	BEARING SHIELD	1

PART IDENTIFICATION 2966-117-ST LH WHEEL ASSY (SHOWN) 2966-116-ST RH WHEEL ASSY

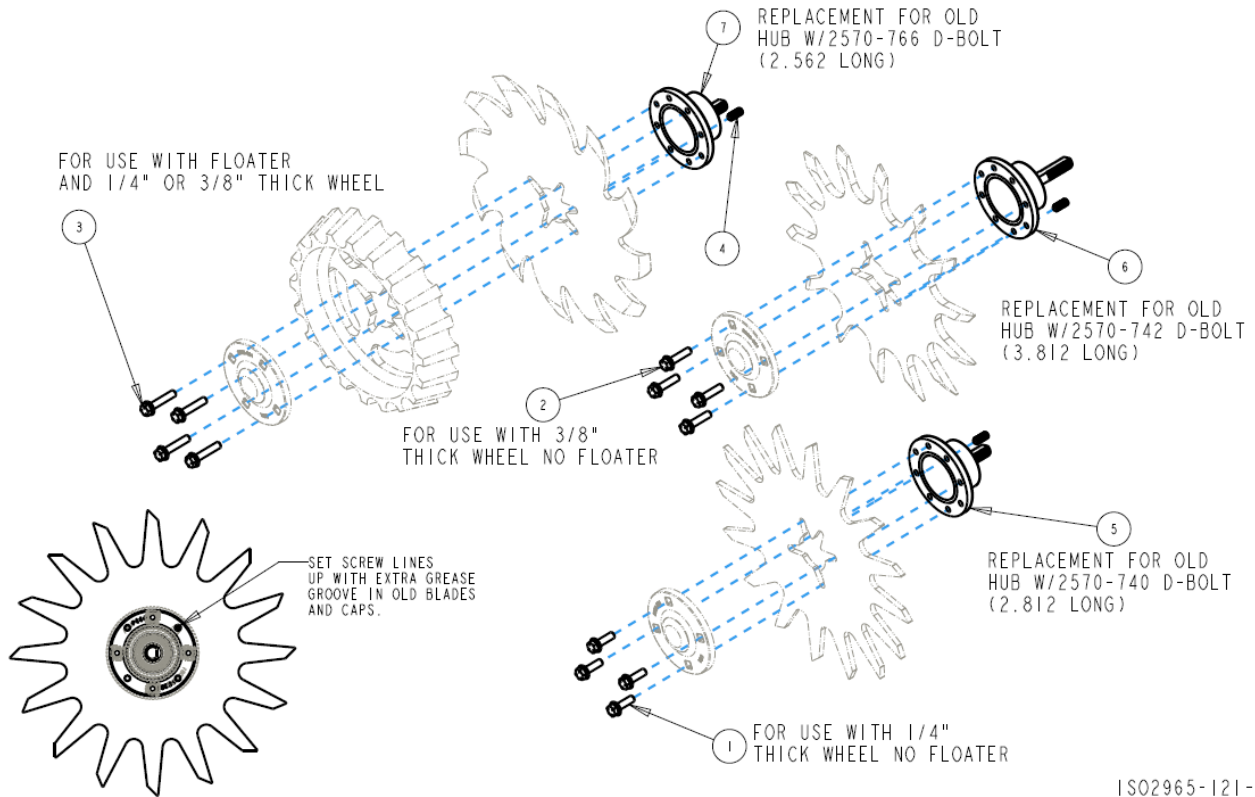


MANUFACTURED 06/2014 – 06/2021

ITEM	PART NO	DESCRIPTION	QTY
1	2505-207	5/16-18 X 1-1/4 CARRIAGE HEAD BOLT GRADE 5	4
2	2520-206	5/16-18 FLANGE LOCK NUT	4
3	2570-766	D-BOLT FLANGE HEAD 5/8-11 X 2.562 GRADE 8	1
4	2965-128	HUB/BEARING ASSEMBLY	1
	2550-069	SEAL	1
	2570-594	BEARING	1
	2570-715	INSERT	1
	2965-351	HUB	1
	2533-110	GREASE FITTING	1
5	2965-352	HUB CAP	1
6	2967-602	SHARK TOOTH WHEEL	1
7	2520-465	5/8-11 FLANGE LOCK NUT GRADE 8	1

FIELD SERVICE KITS

- 2965-119 - SERVICE KIT FOR 2570-740-2.812 D-BOLT
- 2965-120 - SERVICE KIT FOR 2570-742-3.812 D-BOLT
- 2965-121 - SERVICE KIT FOR 2570-766-2.562 D-BOLT



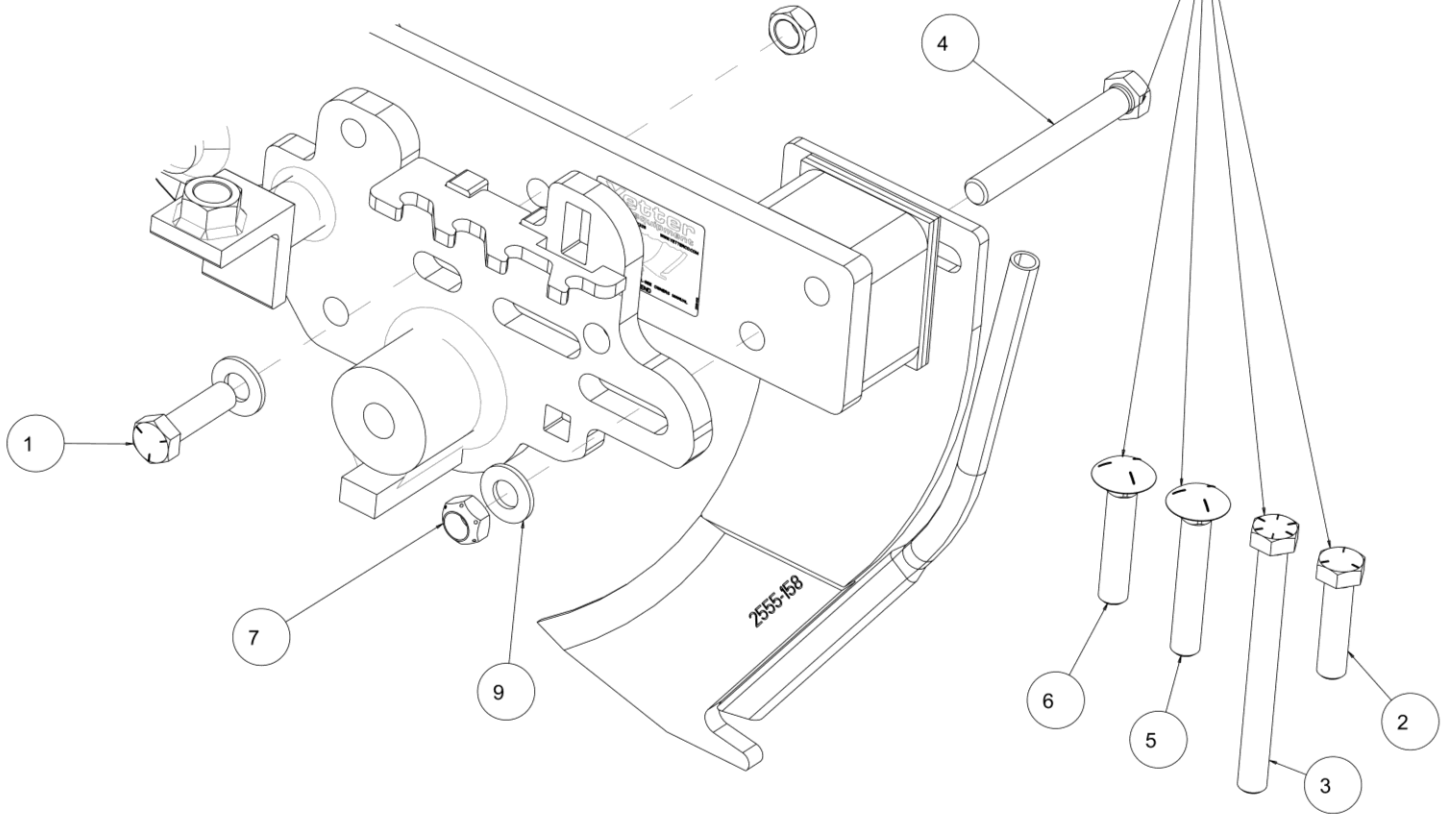
ISO2965-121-2

ITEM	PART NO	DESCRIPTION	QTY
1	2502-221	5/16-18 X 1 HHFS GRADE 5	4
2	2502-222	5/16-18 X 1-1/4 HHFS GRADE 5	4
3	2502-225	5/16-18 X 1-1/2 HHFS GRADE 5	4
4	2940-560	SET SCREW	1
5	2965-500	HUB ASSEMBLY 1.406 SPINDLE	1
6	2965-501	HUB ASSEMBLY 2.406 SPINDLE	1
7	2965-502	HUB ASSEMBLY 1.157 SPINDLE	1

PART IDENTIFICATION

6200-161 MOUNT HARDWARE FOR YETTER 2995/2996/GEN III COULTER

DIFFERENT BOLT TYPES AND LENGTHS
WILL BE USED HERE
BASED ON KNIFE OFFSET AND ATTACHMENT

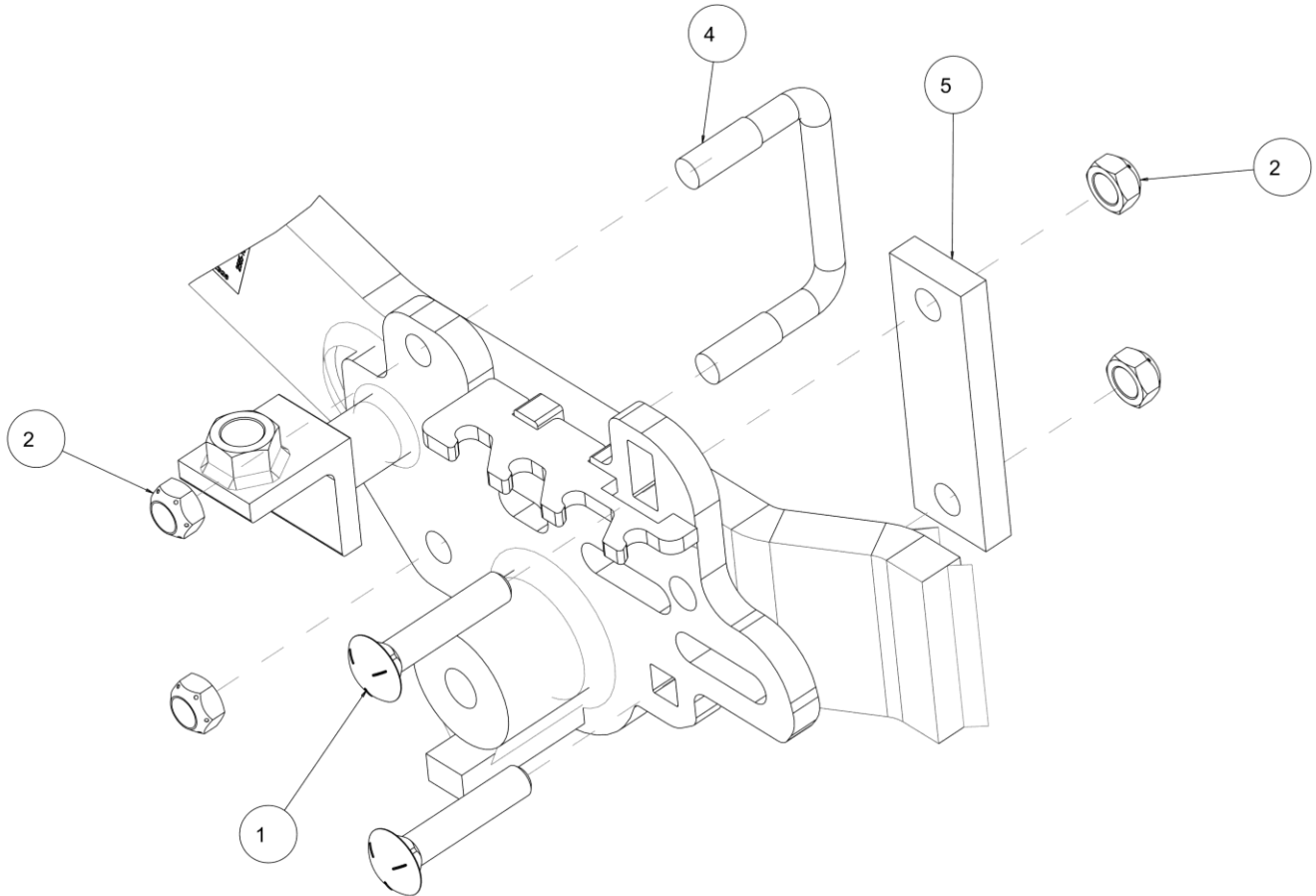


ITEM	PART #	DESCRIPTION	QTY
1	2502-317	1/2-13 X 1-3/4 HHCS GR5 ZP	1
2	2502-351	1/2-13 X 2 HHCS GR.5 ZP	1
3	2502-361	1/2-13 X 5 HHCS GR8 ZP	1
4	2502-364	1/2-13 X 4 HHCS GR. 5 ZP	1
5	2505-330	1/2-13 X 3 CARBLT G5ZP	1
6	2505-343	1/2-13 X 2 1/2 CAR.BLT.GR.5 ZP	1
7	2520-362	1/2-13 HEX LOK NUT, GR C, ZP	2
8	2520-464	5/8-11 WHIZLOCK HEX NUT, GR 2, ZP	1
9	2526-352	1/2 SAE FLATWASHER ZP	2

PART IDENTIFICATION

6200-162

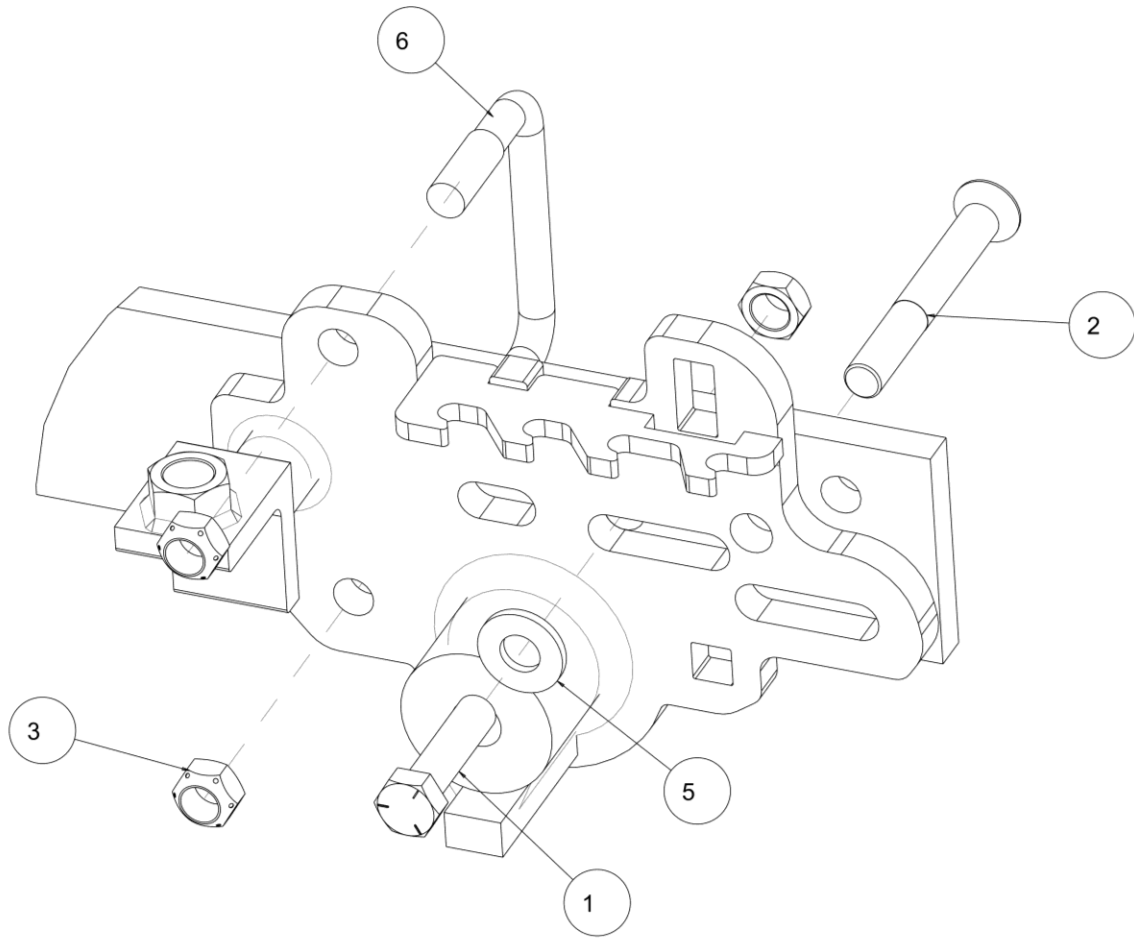
MOUNT HARDWARE FOR 3" ARM YETTER 2995-086 XTREME (2015 & OLDER),
SHIELD, CNH, OR DMI COULTERS



ITEM	PART #	DESCRIPTION	QTY
1	2505-343	1/2-13 X 2 1/2 CAR.BLT.GR.5 ZP	2
2	2520-362	1/2-13 HEX LOK NUT, GR C, ZP	4
3	2520-464	5/8-11 WHIZLOCK HEX NUT, GR 2, ZP	1
4	2570-736	1/2 X 3-1/8 X 2-1/4 U-BOLT	1
5	6200-444	3" CLAMP PLATE	1

PART IDENTIFICATION

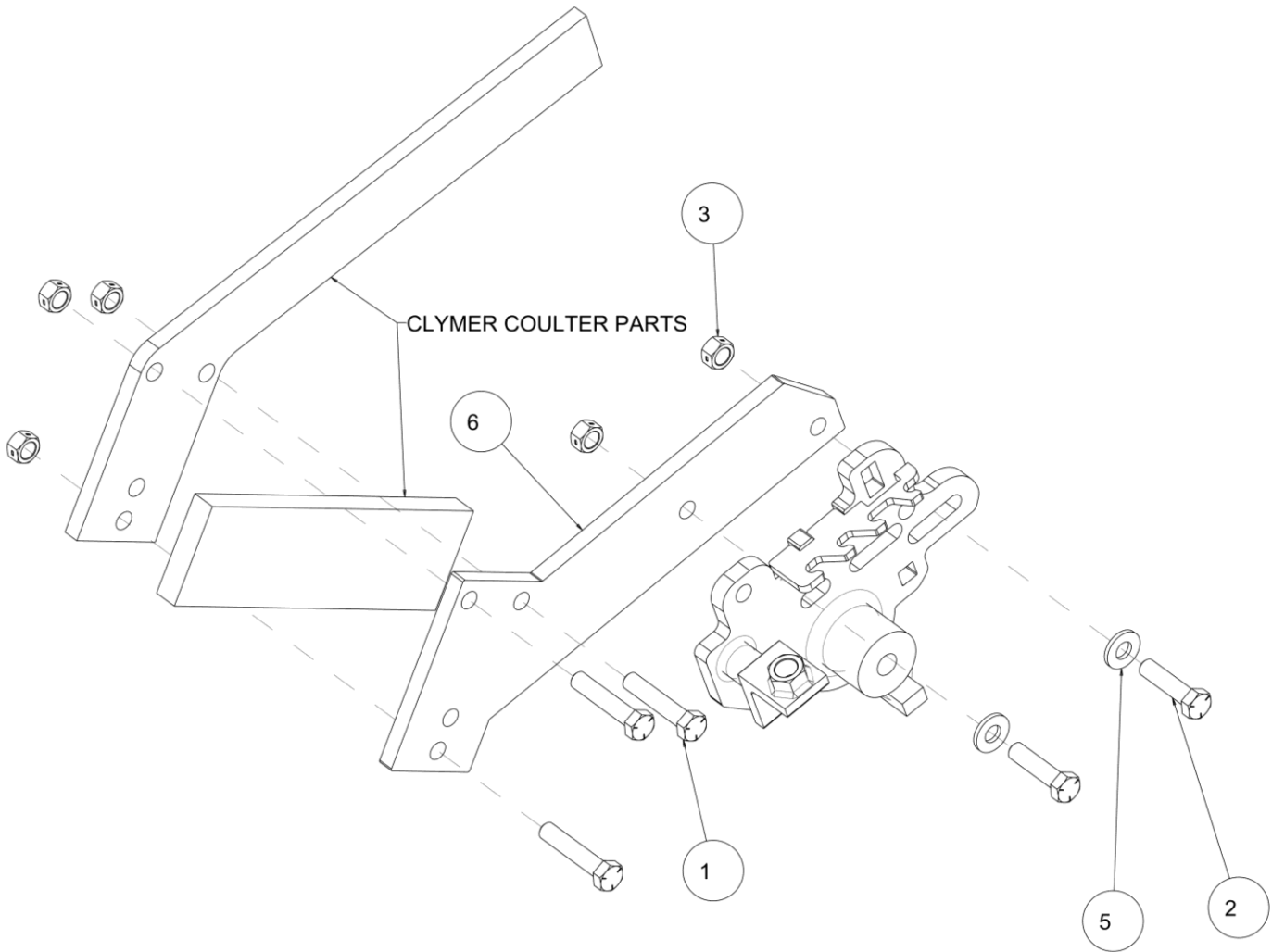
6200-163 MOUNT HARDWARE FOR CLYMER LIQUID KNIFE SYSTEM



ITEM	PART #	DESCRIPTION	QTY
1	2502-351	1/2-13 X 2 HHCS GR.5 ZP	1
2	2502-360	1/2-13 X 4 HSFHCS	1
3	2520-362	1/2-13 HEX LOK NUT, GR C, ZP	3
4	2520-464	5/8-11 WHIZLOCK HEX NUT, GR 2, ZP	1
5	2526-355	1/2 FLAT WASHER HARD'ND ZP	1
6	2570-736	1/2 X 3-1/8 X 2-1/4 U-BOLT	1

PART IDENTIFICATION

6200-165 MOUNT HARDWARE AND ADAPTER PLATE FOR CLYMER LIQUID INJECTION SYSTEM

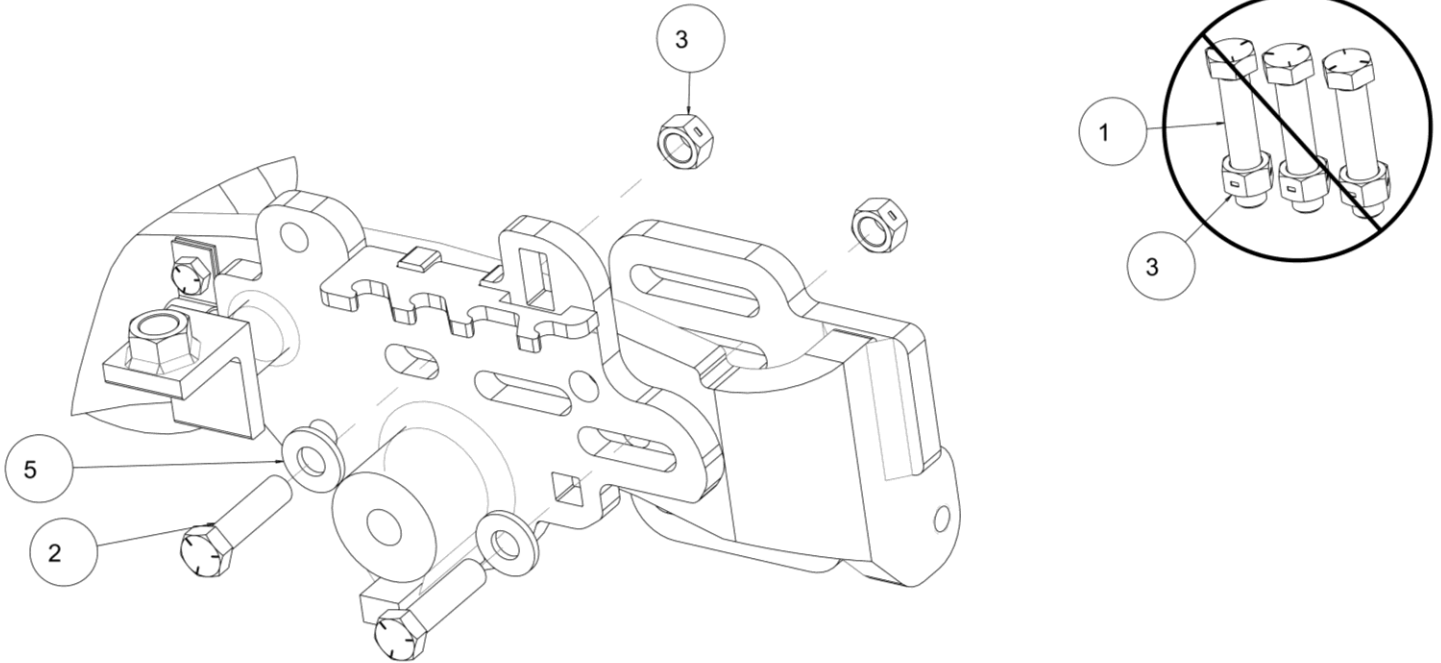


ITEM	PART #	DESCRIPTION	QTY
1	2502-296	1/2-13 X 2-1/2 HHCS GR5 ZP	3
2	2502-351	1/2-13 X 2 HHCS GR.5 ZP	2
3	2520-357	1/2-13 LOCK HEX NUT, GR A, ZP	5
4	2520-464	5/8-11 WHIZLOCK HEX NUT, GR 2, ZP	1
5	2526-355	1/2 FLAT WASHER HARD'ND ZP	2
6	6200-445	Adapter Plate Clymer to N-keeper	1

PART IDENTIFICATION

6200-166 MOUNT HARDWARE FOR YETTER 2995-086 XTREME (2016)

SHOWN HARDWARE WILL NOT BE
USED IN THIS MOUNT CONFIGURATION

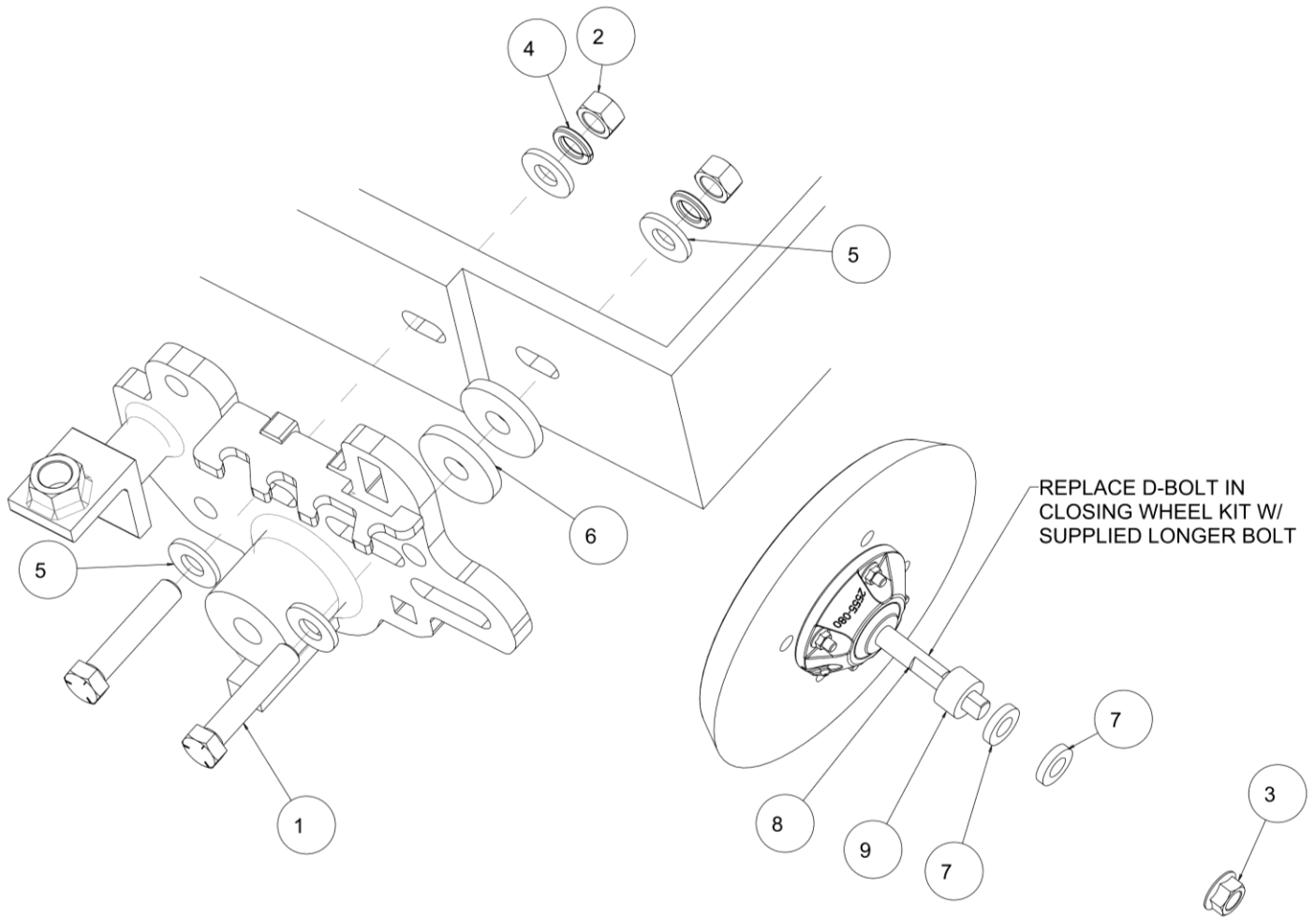


ITEM	PART #	DESCRIPTION	QTY
1	2502-296	1/2-13 X 2-1/2 HHCS GR5 ZP	3
2	2502-351	1/2-13 X 2 HHCS GR.5 ZP	2
3	2520-357	1/2-13 LOCK HEX NUT, GR A, ZP	5
4	2520-464	5/8-11 WHIZLOCK HEX NUT, GR 2, ZP	1
5	2526-355	1/2 FLAT WASHER HARD'ND ZP	2

PART IDENTIFICATION

6200-124

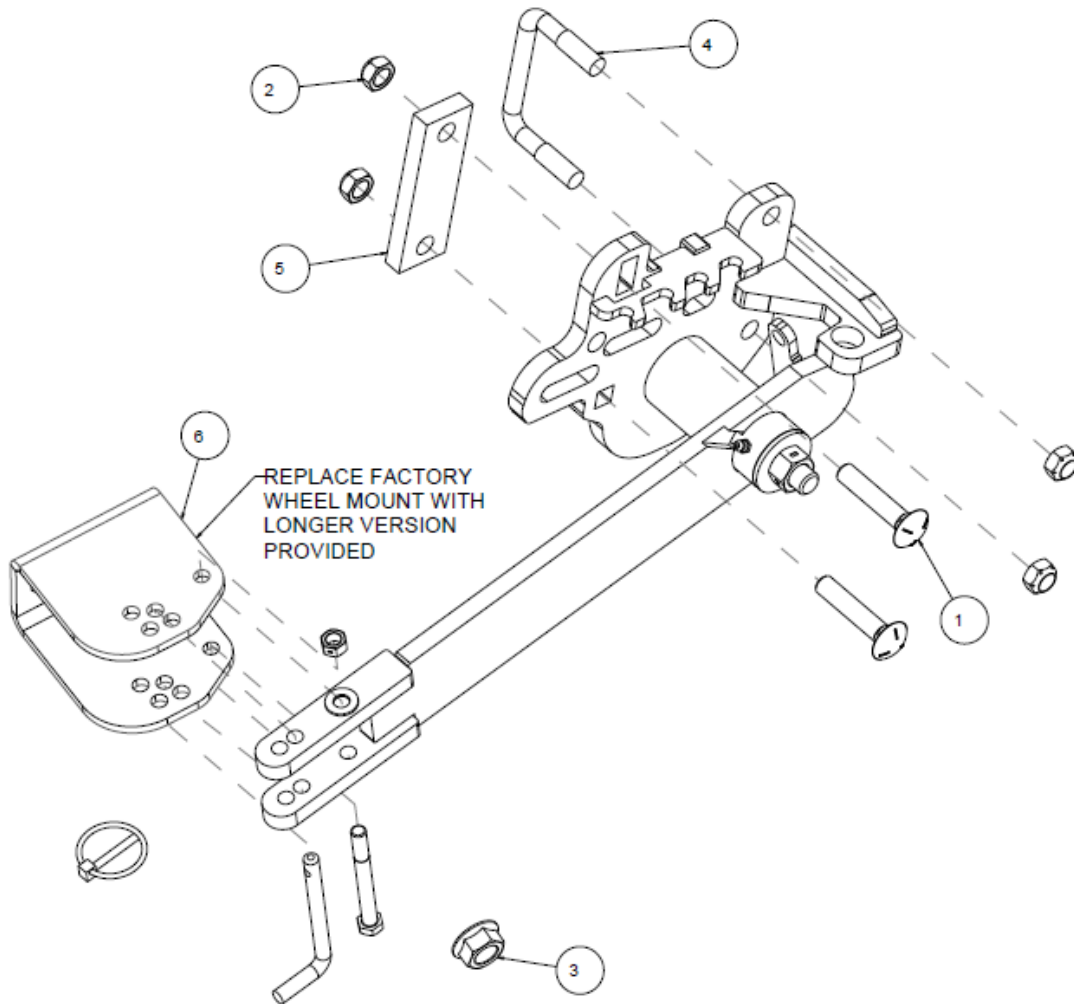
MOUNT HARDWARE FOR BLU JET COULTER LIQUID FERTILIZER SYSTEM



ITEM	PART #	DESCRIPTION	QTY
1	2502-296	1/2-13 X 2-1/2 HHCS GR5 ZP	2
2	2520-352	1/2-13 HEX NUT ZP	2
3	2520-464	5/8-11 WHIZLOCK HEX NUT, GR 2, ZP	1
4	2525-352	1/2 MED LOCKWASHER ZP.	2
5	2526-355	1/2 FLAT WASHER HARD'ND ZP	4
6	2526-402	9/16ID X 1-3/4 OD X 1/4MBZP	2
7	2526-455	WASH 21/32" X 1 1/4" X 1/4	2
8	2570-742	D-BOLT, FLGD, 5/8-11 X 3.812" GR8 ZP	1
9	2967-302	SPACER, 3/4" PLATED	1

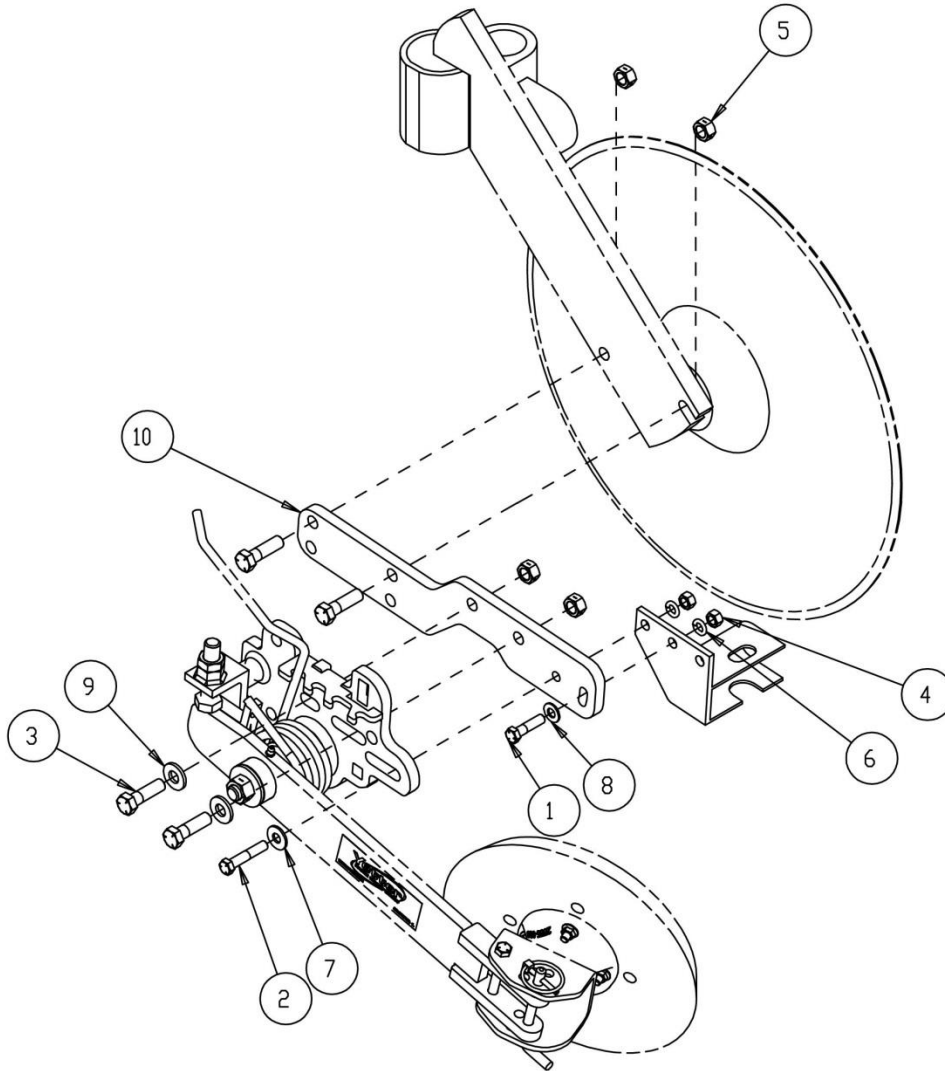
PART IDENTIFICATION

6200-172-L (SHOWN) AND 6200-172-R MOUNT HARDWARE AND EXTENDED WHEEL MOUNT BASKET FOR AG SYSTEMS COULTER



ITEM	PART #	DESCRIPTION	QTY
1	2505-343	1/2-13 X 2 1/2 CAR.BLT.GR.5 ZP	2
2	2520-362	1/2-13 HEX LOK NUT, GR C, ZP	4
3	2520-464	5/8-11 WHIZLOCK HEX NUT, GR 2, ZP	1
4	2570-736	1/2 X 3-1/8 X 2-1/4 U-BOLT	1
5	6200-444	3" CLAMP PLATE	1
6	6200-460-L	EXTENDED WHEEL MOUNT LH(SHOWN)	1
	6200-460-R	EXTENDED WHEEL MOUNT RH	1

PART IDENTIFICATION
6200-175
Mount Hardware for BLU JET Coulter



ITEM	PART NO.	DESCRIPTION	QTY
1	2502-232	3/8-16 X 1 1/2 HHCS GR 5 ZYD	1
2	2502-240	3/8-16 X 2 HHCS GR5 ZP	1
3	2502-317	1/2-13 X 1-3/4 HHCS GR5 ZP	4
4	2520-251	3/8-16 HEX NUT ZP	2
5	2520-357	1/2-13 LOCK HEX NUT, GR A, ZP	4
6	2525-251	3/8 MED. LOCKWASHER ZP.	2
7	2526-251	3/8 STANDARD FLATWASHER ZP	1
8	2526-253	3/8 SAE FLATWASHER ZP	1
9	2526-355	1/2 FLAT WASHER HARD'ND ZP	2
10	6200-473	MOUNT PLATE	1

PHOTO ALBUM

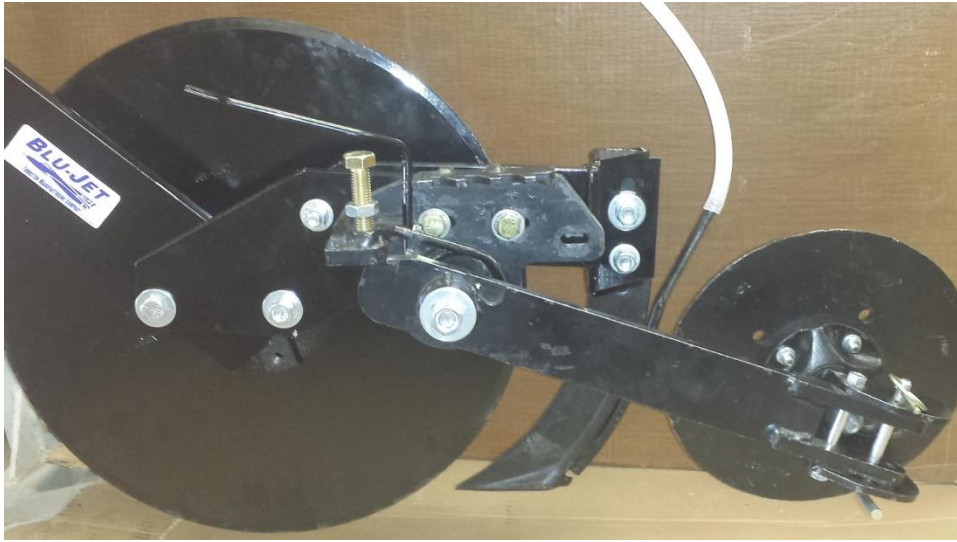


PHOTO ALBUM





A Tradition of Solutions since 1930

Yetter Farm Equipment Co

PO BOX 358 109 S. McDonough

Colchester, IL 62326-0358

Phone: 309-776-4111

Toll Free: 800-447-5777

Email: info@yetterco.com

For updated models and manuals visit the Yetter website:

www.yetterco.com

© Yetter Farm Equipment Co. All Rights Reserved