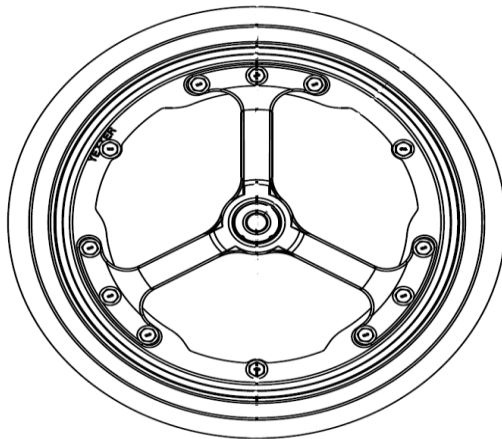


# Yetter

## FARM EQUIPMENT

6000-070 3" X 16" TRI-SPOKED GAUGE WHEEL  
6000-071 4.5" X 16" TRI-SPOKED GAUGE WHEEL

INSTALLATION INSTRUCTION  
PART IDENTIFICATION  
2565-984 REV C 02/2026



**YETTER MANUFACTURING CO.**

Founded 1930

Colchester, IL 62326

Toll free: (800)447-5777.

Fax: (309)776-3222

Website: [yetterco.com](http://yetterco.com)

E-mail: [info@yetterco.com](mailto:info@yetterco.com)

**YETTER**

# FOREWORD

You've just joined an exclusive but rapidly growing club.

For our part, we want to welcome you to the group and thank you for buying a Yetter product.

We hope your new Yetter products will help you achieve both goals-increase your productivity and increase your efficiency so that you may generate more profit. This operator's manual has been designed into four major sections: Foreword, Safety Precautions, Installation Instructions and Parts Breakdown.

This **SAFETY ALERT SYMBOL** indicates important safety messages in the manual. When you see this symbol, be alert to the possibility of **PERSONAL INJURY** and carefully read the message that follows.



**DANGER:** Indicates an imminently hazardous situation which, if not avoided "will" result in death or serious injury. This signal word is to be limited to the most extreme situations



**WARNING:** Indicates a potentially hazardous situation which, if not avoided, "could" result in death or serious injury.



**CAUTION:** Indicates a potentially hazardous situation, which if not avoided, "may" result in minor or moderate injury. It may also be used to alert against unsafe practices.



**NOTICE:** Indicates information considered important, but not hazard related (e.g., messages relating to property damage).

It is the responsibility of the user to read the operator's manual and comply with the safe and correct operating procedure and to lubricate and maintain the product according to the maintenance schedule in the operator's manual.

The user is responsible for inspecting his machine and for having parts repaired or replaced when continued use of the product would cause damage or excessive wear to the other parts.

It is the user's responsibility to deliver his machine to the Yetter dealer who sold him the product for service or replacement of defective parts, which are covered by the warranty policy.

If you are unable to understand or follow the instructions provided in this publication, consult your local Yetter dealer or contact:

## YETTER MANUFACTURING CO.

309/776-4111

800/447-5777

309/776-3222 (FAX)

Website: [www.yetterco.com](http://www.yetterco.com)

E-mail: [info@yetterco.com](mailto:info@yetterco.com)

## WARRANTY POLICY

Yetter Manufacturing warrants all products manufactured and sold by it against defects in material. This warranty being expressly limited to replacement at the factory of such parts or products as will appear to be defective after inspection. This warranty does not obligate the Company to bear cost of labor in replacement of parts. It is the policy of the company to make improvements without incurring obligations to add them to any unit already sold. No warranty is made or authorized to be made, other than herein set forth. This warranty is in effect for one year after purchase.

Dealer : \_\_\_\_\_

**Yetter Manufacturing warrants its own products only and cannot be responsible for damage to equipment on which mounted.**



## SAFETY PRECAUTIONS



**A brief description of signal words that may be used in this manual:**

**DANGER**: Indicates an imminently hazardous situation which, if not avoided “will” result in death or serious injury. This signal word is to be limited to the most extreme situations.

**WARNING**: Indicates a potentially hazardous situation which, if not avoided, “could” result in death or serious injury.

**CAUTION**: Indicates a potentially hazardous situation, which if not avoided, “may” result in minor or moderate injury. It may also be used to alert against unsafe practices.

**NOTICE**: Indicates information considered important, but not hazard related (e.g., messages relating to property damage).

**Consult your implement and tractor operator’s manual for correct and safe operating practices. Be aware of towed implement width and allow safe clearance.**

**Safety decals are placed on the implement to alert the operator and others to the risk of personal injury or unsafe operation during normal operations and servicing.**

- 1. The safety decals must be kept clean and in good condition to ensure that they are legible.**
- 2. Safety decals must be replaced if they are missing or illegible.**
- 3. When components are replaced during repair or servicing, check that the new components include the necessary safety signs.**
- 4. Replacement safety decals may be obtained from your local dealer.**



### WARNING

**Read these instructions carefully to acquaint yourself with the Equipment. Working with unfamiliar equipment can lead to accidents.**

**Never park the equipment on a steep incline or leave the equipment running unattended.**

**Never clean, lubricate or adjust a machine that is in motion.**

**Always check that straps are secure.**

**Make sure latches are in pinned position when moving equipment.**

**Do not allow children to operate this equipment.**

**Do not allow riders on the equipment, trailer and/or pick-up.**

**Use speed and caution dictated by the terrain being traversed. Do not operate on any slope steep enough to cause tipping or loss of control.**

**Read and understand the operator’s manual and require all other persons who will operate the equipment to do the same.**

**If operating on public roadways, where legal, be certain all lighting is operating properly and observe all traffic laws.**

**Beware of increased stopping distances and control effort when operating with implements attached.**

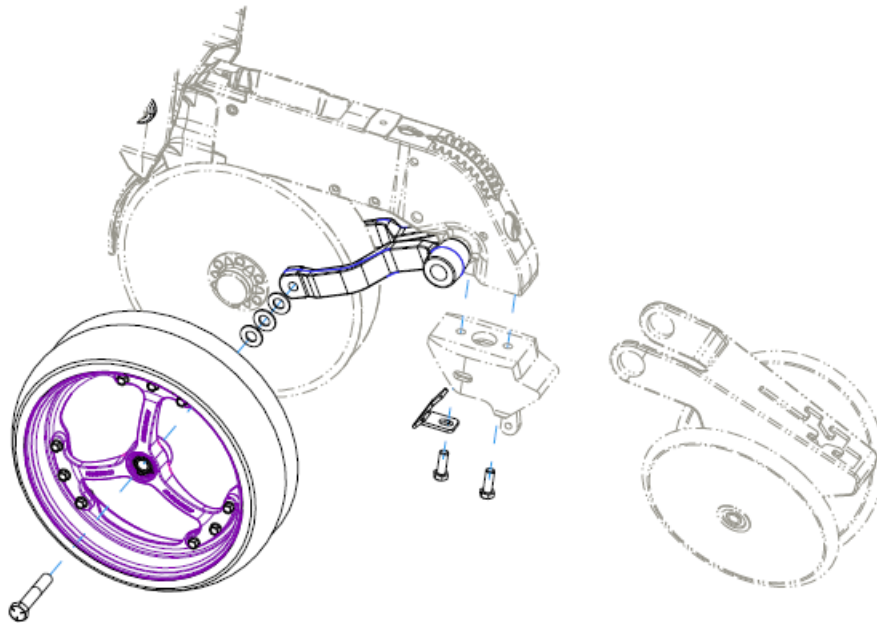
**Be familiar with all controls and be prepared to stop equipment quickly in an emergency.**

**FAILURE TO HEED MAY RESULT IN PERSONAL INJURY OR DEATH.**

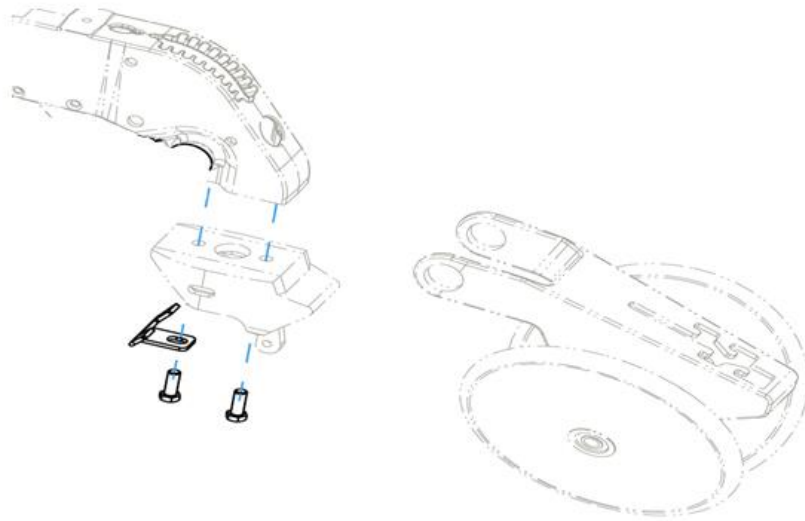
**INSTALLATION INSTRUCTIONS**  
**6000-070 3" X 16" SPOKE GAUGE WHEEL**  
**6000-071 4.5" X 16" SPOKE GAUGE WHEEL**  
**2570-790 GAUGE WHEEL ARM STOP**  
**JOHN DEERE 5 SERIES ROW UNIT**

STEP 1. REMOVE THE GAUGE WHEEL AND ARM FROM THE ROW UNIT.

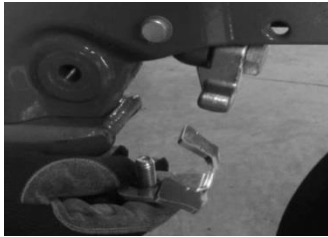
STEP 2. REMOVE THE FRONT M12 BOLT FROM THE CLOSING WHEEL MOUNT THAT IS THREADED INTO THE BOTTOM OF THE ROW UNIT.



## INSTALLATION INSTRUCTIONS



STEP 3. INSERT THE 12MM BOLT THROUGH THE 2570-790 WHEEL STOP MOUNTING HOLE AND THREAD IT BY HAND BACK INTO THE ROW UNIT.



STEP 4. NOTE: THE 2570-790 WHEEL STOP CURVATURE FACES FORWARD TO THE OPENING DISCS AND THE BENDS WRAP AROUND THE CLOSING WHEEL MOUNT.



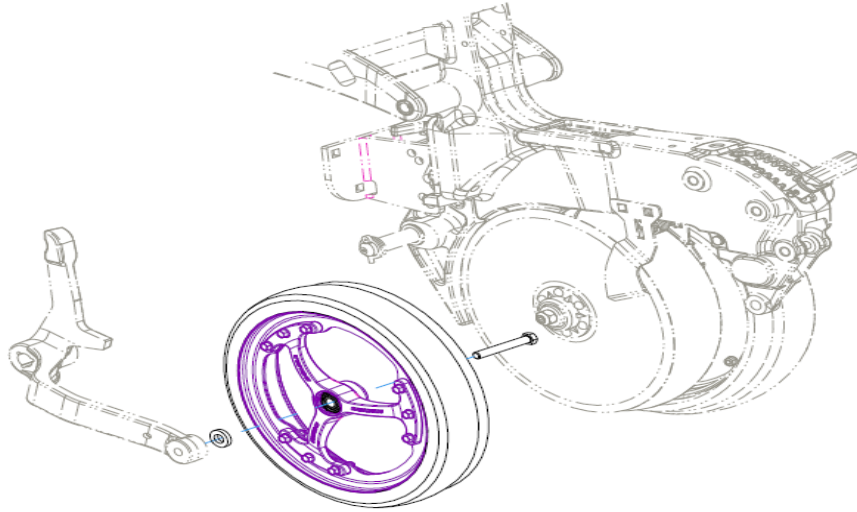
STEP 5. SECURELY TIGHTEN 12 MM BOLT.

STEP 6. INSTALL GAUGE WHEEL AND ARM ASSEMBLY BACK ONTO THE ROW UNIT AND ADJUST IT TO THE OPENING DISCS AS RECOMMENDED IN THE OEM PLANTER OPERATORS MANUAL, SECURELY TIGHTEN THE HARDWARE.

# INSTALLATION INSTRUCTIONS

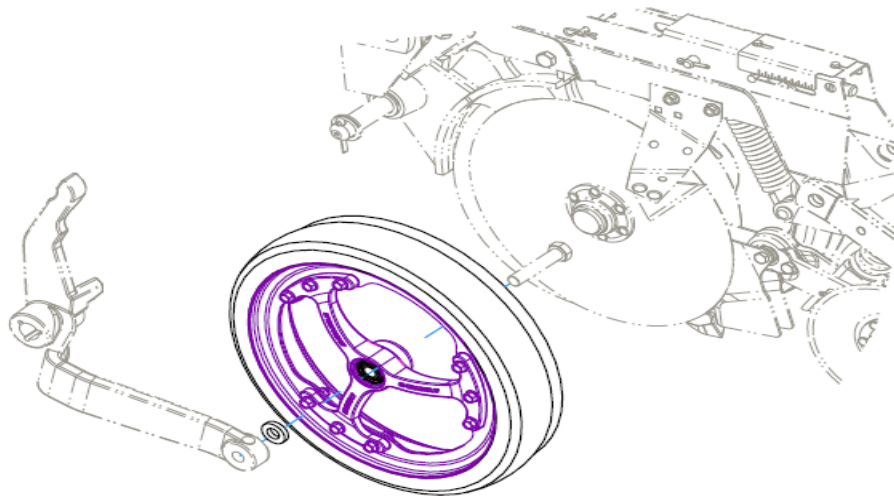
## CASEIH 2000 SERIES ROW UNIT

INSTALL THE SPOKE GAUGE WHEEL USING (1) 2526-455 WASHER AND (1) 2502-812 M16 X 90 HEX HEAD CAPSCREW.



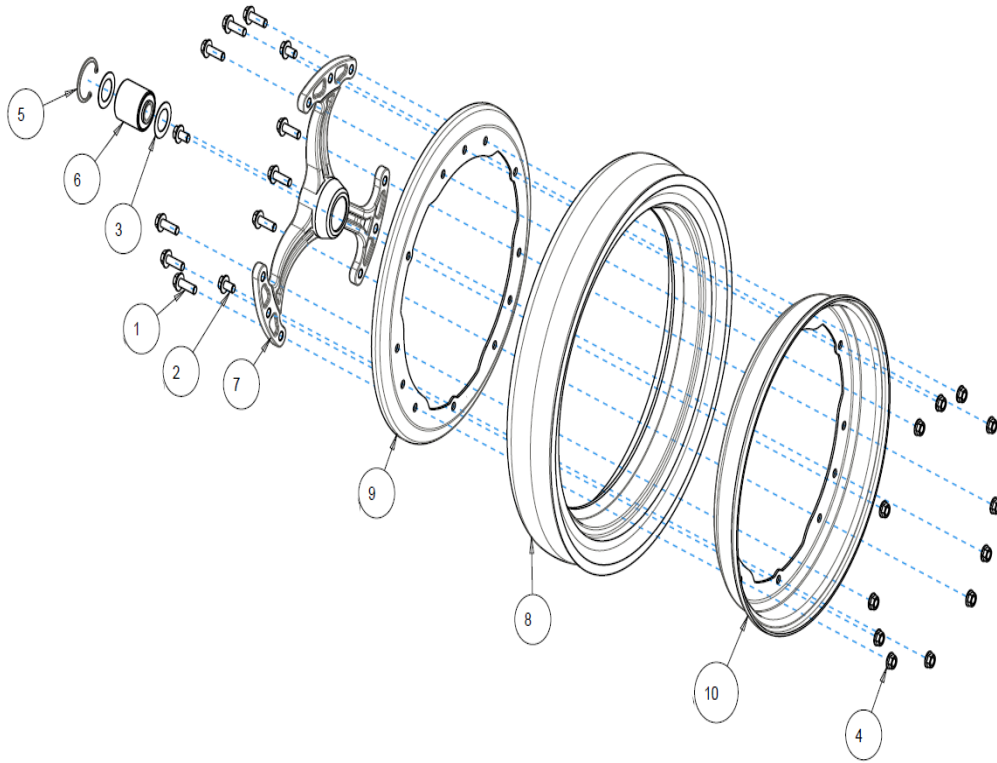
## CASEIH 1200 SERIES ROW UNIT

INSTALL THE SPOKE GAUGE WHEEL USING (1) 2526-455 WASHER.



# PARTS IDENTIFICATION

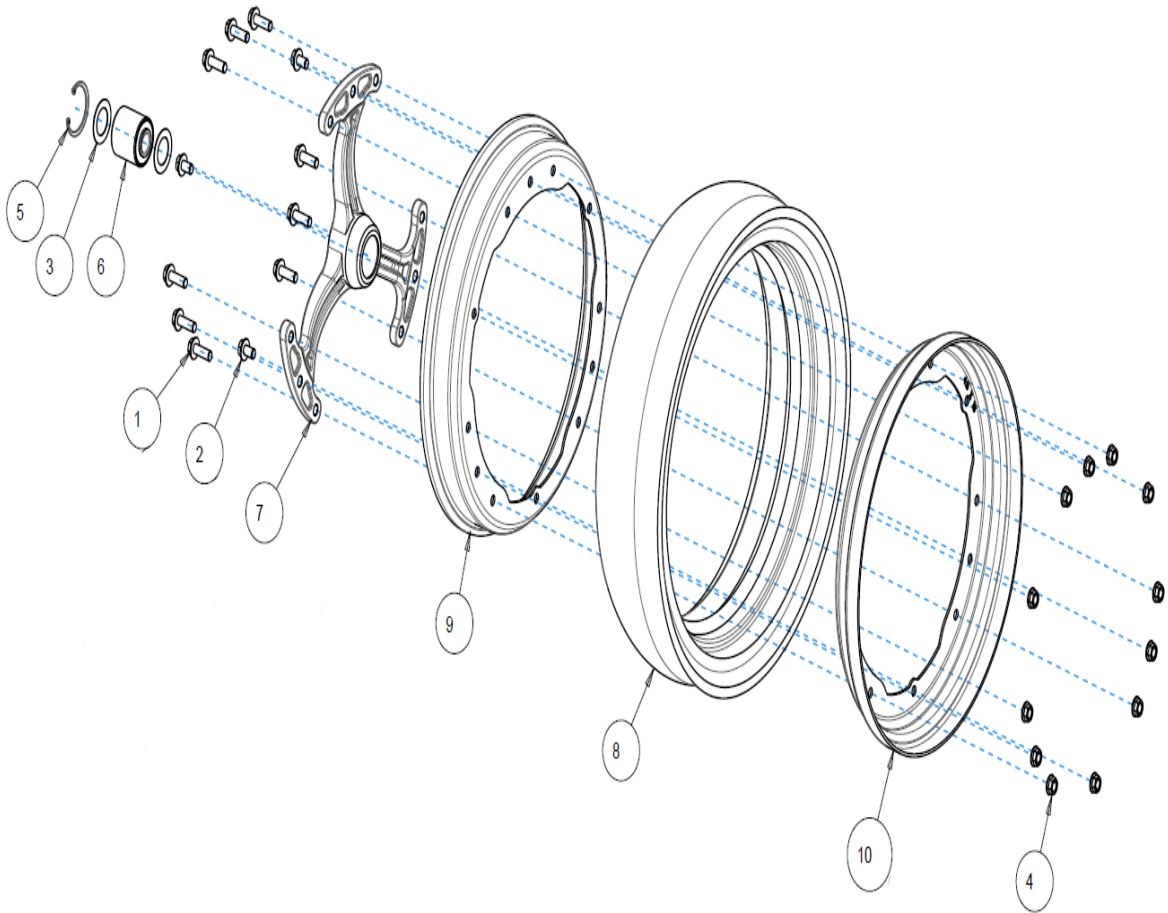
## 6000-070 3" X 16" SPOKE GAUGE WHEEL



ITEM	PART #	DESCRIPTION	QTY
1	2502-824	HEX SERRATED FLANGE BOLT M8 1.25X25MM	9
2	2502-825	HEX SERRATED FLANGE NUT M8 1.25X14 MM	3
3	2515-924	SEAL PROTECTOR	2
4	2520-208	HEX SERRATED FLANGE NUT M8	12
5	2550-527	SNAP RING	1
6	2570-069	BEARING	1
7	6000-600	TRI-SPOKE HUB	1
8	6000-601	3" X 16" TIRE	1
9	6000-603	3" X 16" OUTER WHEEL HALF	1
10	6000-604	COMMON 16" WHEEL HALF	1

# PARTS IDENTIFICATION

## 6000-071 4.5" X 16" SPOKE GUAGE WHEEL



ITEM	PART #	DESCRIPTION	QTY
1	2502-824	HEX SERRATED FLANGE BOLT M8 1.25X25MM	9
2	2502-825	HEX SERRATED FLANGE NUT M8 1.25X14MM	3
3	2515-924	SEAL PROTECTOR	2
4	2520-208	HEX SERRATED FLANGE NUT M8	12
5	2550-527	SNAP RING	1
6	2570-069	BEARING	1
7	6000-600	TRI-SPOKE HUB	1
8	6000-602	4.5" X 16" TIRE	1
9	6000-604	COMMON 16" WHEEL HALF	1
10	6000-605	4.5" X 16" INNER WHEEL HALF	1

## NOTES

## **NOTES**

## NOTES



A Tradition of Solutions since 1930

Yetter Farm Equipment Co

PO BOX 358 109 S. McDonough

Colchester, IL 62326-0358

Phone: 309-776-4111

Toll Free: 800-447-5777

Email: [info@yetterco.com](mailto:info@yetterco.com)

For updated models and manuals visit the Yetter website:

[www.yetterco.com](http://www.yetterco.com)

© Yetter Farm Equipment Co. All Rights Reserved

2565-984 REV C – 02/2026