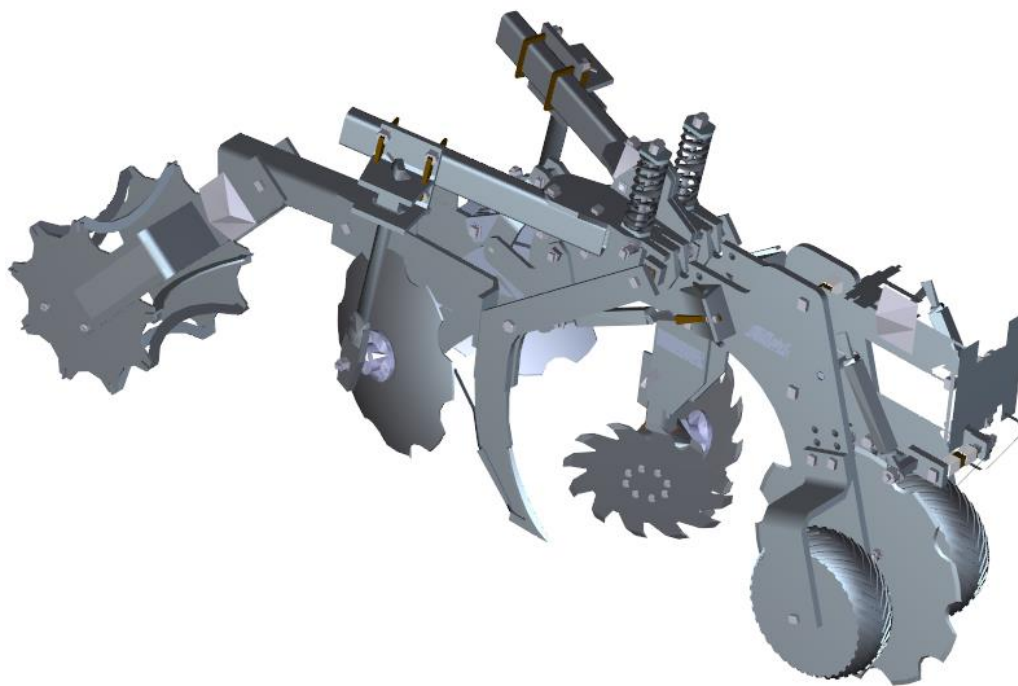




2984 Series MAVERICK™ HR PLUS OPERATOR & PARTS MANUAL

2565-762_REV_N • 07/2021



YETTER MANUFACTURING CO.
FOUNDED 1930

COLCHESTER, IL 62326-0358
TOLL FREE: 800/447-5777
309/776-3222 (FAX)

WEBSITE: WWW.YETTERCO.COM
E-MAIL: INFO@YETTERCO.COM

YETTER

TABLE OF CONTENTS

FOREWORD.....	3
WARRANTY.....	3
SAFETY.....	4
BOLT TORQUE.....	5
ASSEMBLY INSTRUCTIONS.....	6-17
OPERATION.....	18-22
MAINTENANCE.....	23-25
PARTS IDENTIFICATION.....	26-51
TROUBLESHOOTING.....	54-55

FOREWORD

You've just joined an exclusive but rapidly growing club.

For our part, we want to welcome you to the group and thank you for buying a Yetter product.

We hope your new Yetter products will help you achieve both goals-increase your productivity and increase your efficiency so that you may generate more profit.

This operator's manual has been designed into four major sections: Foreword, Safety Precautions, Installation Instructions, and Parts Breakdown.



This **SAFETY ALERT SYMBOL** indicates important safety messages in the manual.

When you see this symbol, be alert to the possibility of **PERSONAL INJURY** and carefully read the message that follows.

The word **NOTE** is used to convey information that is out of context with the manual text. It contains special information such as specifications, techniques and reference information of a supplementary nature.

The word **IMPORTANT** is used in the text when immediate damage will occur to the machine due to improper technique or operation. Important will

apply to the same information as specified by note only of an immediate and urgent nature.

It is the responsibility of the user to read the operator's manual and comply with the safe and correct operating procedure and to lubricate and maintain the product according to the maintenance schedule in the operator's manual.

The user is responsible for inspecting his machine and for having parts repaired or replaced when continued use of the product would cause damage or excessive wear to the other parts.

It is the user's responsibility to deliver his machine to the Yetter dealer who sold him the product for service or replacement of defective parts, which are covered by the warranty policy.

If you are unable to understand or follow the instructions provided in this publication, consult your local Yetter dealer or contact:

YETTER MANUFACTURING CO.

309/776-4111

800/447-5777

309/776-3222 (FAX)

Website: www.yetterco.com

Email: info@YetterCo.com

WARRANTY

Yetter Manufacturing warrants all products manufactured and sold by it against defects in material. This warranty being expressly limited to replacement at the factory of such parts or products as shall appear to be defective after inspection. This warranty does not obligate the Company to bear cost of labor in replacement of parts. It is the policy of the Company to make improvements without incurring obligations to add them to any unit already sold. No warranty is made or authorized to be made, other than herein set forth. This warranty is in effect for one year after purchase.

Dealer _____

Yetter Manufacturing warrants its own products only and cannot be responsible for damages to equipment on which mounted.

SAFETY

A brief description of signal words that may be used in this manual:

CAUTION: Used as a general reminder of good safety practices or to direct attention to unsafe practices.

WARNING: Denotes a specific potential hazard

DANGER: Denotes the most serious specific potential hazard.



SAFETY PRECAUTIONS

You can make your farm a safer place to live and work if you observe the safety precautions given. Study these precautions carefully and insist that they be followed by those working with you and for you.

Finally, remember this: an accident is usually caused by someone's carelessness, neglect or oversight.



WARNING

Never clean, lubricate or adjust a machine that is in motion. Always lower or block the implement before performing service.

If machine must be serviced in the raised position, jack or block it up to prevent it from accidentally falling and injuring someone.

Do not allow riders on the tractor or implement.

Use speeds and caution dictated by the terrain being traversed. Do not operate on any slope steep enough to cause tipping or loss of control.

Be sure all personnel are clear of the immediate area before operating.

Read and understand the operator's manual and require all other persons who will operate the equipment to do the same.

Be familiar with all tractor and implement controls and be prepared to stop engine and implements quickly in an emergency.



CAUTION

Consult your implement and tractor operator's manual for correct and safe operating practices.

Beware of towed implement width and allow safe clearance.

FAILURE TO HEED MAY RESULT IN PERSONAL INJURY OR DEATH.

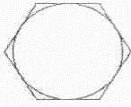
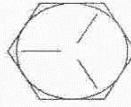
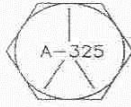
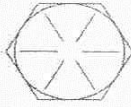
BOLT TORQUE

Note: Right hand and left hand designations are based on sitting in the tractor and facing forward.

READ THESE INSTRUCTIONS FIRST:

1. Improperly tightened bolts will result in damage, breakage, expense, and down time.
2. Always replace bolts with the specified grade and type.
3. Torque properly before first use of the machine and every 2-4 hours of use until you are sure bolts are staying tight.
4. The chart below is a guide for proper torque. Use it unless a specified torque is called out elsewhere in the manual.
5. Torque is the force you apply to the wrench handle or the cheater bar, times the length of the handle or bar.
6. Use a torque wrench whenever possible.

The following table shows torque in ft. lbs.

BOLT DIA. AND THREADS PER INCH	 GRADE 2	 OR  GRADE 5 A-325	 GRADE 8
1/4	6	10	14
5/16	12	20	30
3/8 - 16	25	35	50
7/16 - 14	35	55	80
1/2 - 13	55	85	125
9/16 - 12	75	125	175
5/8 - 11	105	170	235
3/4 - 10	185	305	425
7/8 - 9	170	445	690
1-8	260	670	1030
1 1/8 - 7	365	900	1460
1 1/4 - 7	515	1275	2060
1 3/8 - 6	675	1675	2700
1 1/2 - 6	900	2150	3500
1 3/4 - 5	1410	3500	5600

Lubricate all bearings and moving parts as assembled and make certain that they work freely.



WARNING: Never work around the toolbar / implement while in a raised position without using safety lockups.

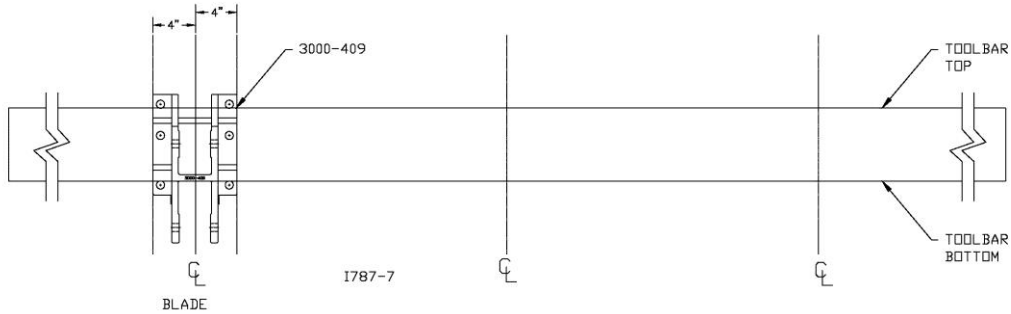


CAUTION: The MAVERICK OPENER™ and its attachments are very heavy. Extra attention to lifting techniques while handling and or maneuvering the opener during assembly. Failure to do so may lead to personal injury.

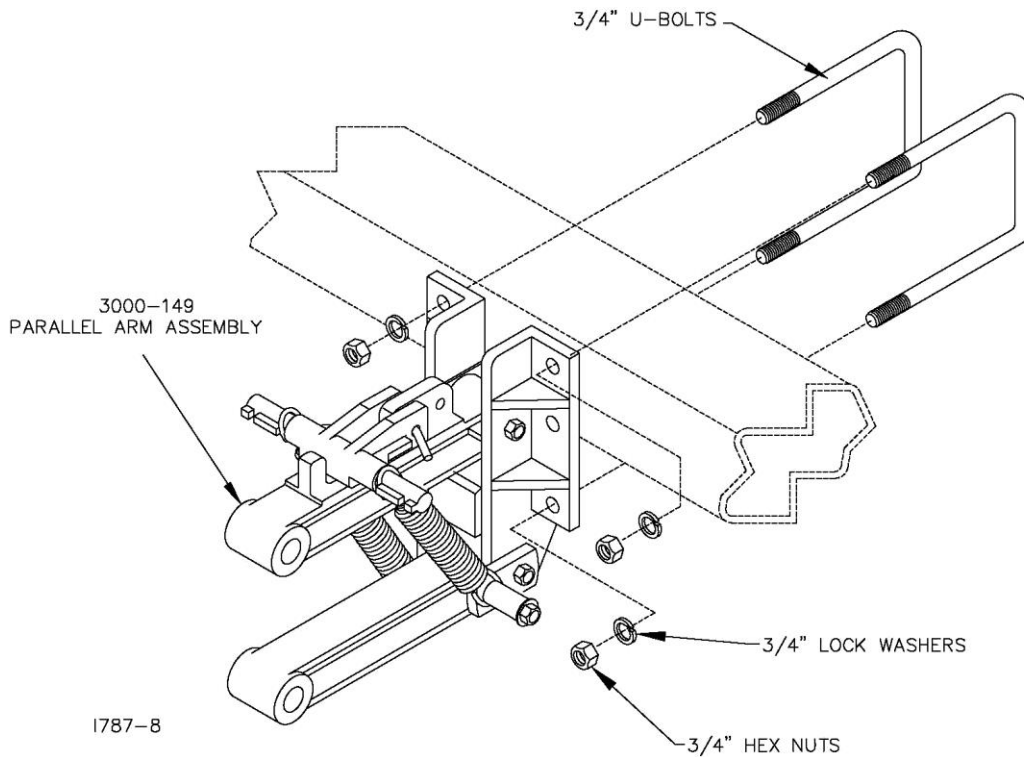
ASSEMBLY INSTRUCTIONS

2984 MAVERICK OPENER™

STEP 1. Mark the location of the center of each row on the toolbar. Then measure from row 4" and place a mark on the rear side of toolbar. This mark will give a reference point to where the edge of the clamp bracket (3000-409) should be located so that the fertilizer knife will be centered directly on the row.



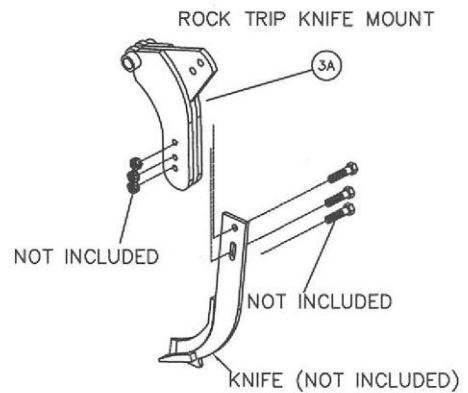
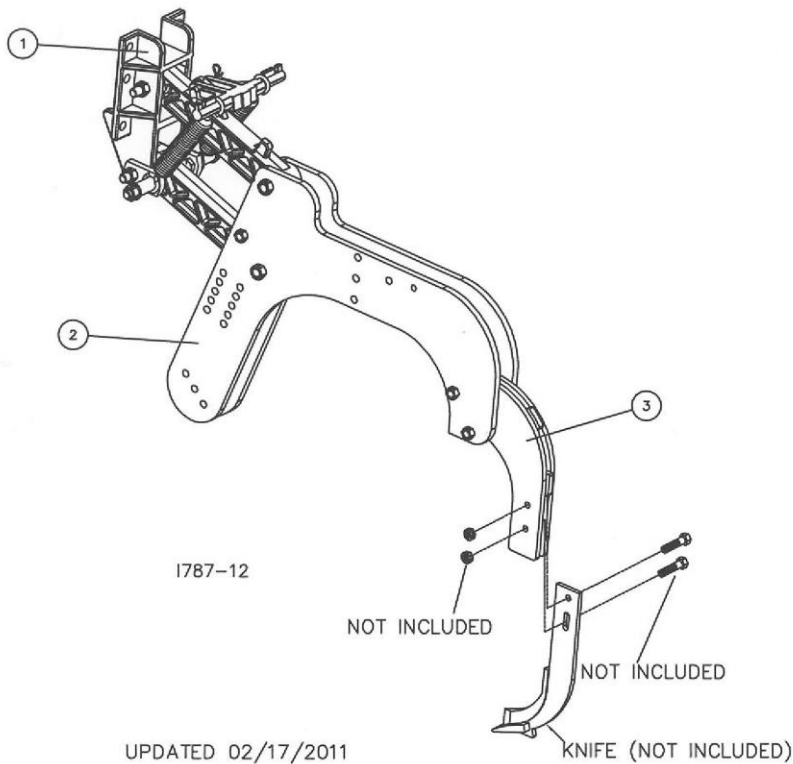
STEP 2. Centering on each row, attach the (3000-149) parallel arm assembly to the toolbar with the appropriate 3/4" u-bolts, lock washers and hex nuts. **Recheck the torque after 10 hours of use.**



ASSEMBLY INSTRUCTIONS

STEP 3. Attach the fertilizer knife to the 2984 knife mount using 2) 1/2" x 2" GRADE. 8 bolts and lock nuts. (Rock Trip model use 3) 1/2" x 2" GRADE 8)

DET	QTY	PART NO.	DESCRIPTION
1	1	3000-149	PARALLEL ARM ASSEMBLY '09
2	2	2984-367	STRIP TILL ARM
3	1	2984-218	KNIFE MOUNT W.A.
3A	1	2984-224	ROCK TRIP KNIFE MOUNT



STEP 4. Tighten all bolts to recommended torques from the table of this manual, unless the torque is otherwise specified.

Note: Do not over tighten the spindle bolt and castle nut. Torque the spindle bolt to 13-15 ft. lbs. or until the hub/blade assembly has a slight drag when turned by hand. Tighten the nut one slot position on the castle nut to line up the cotter pin hole. Secure the nut with the 1/8" x 1" cotter pin provided.

Recheck the torque on these bolts after 10 hours of operation and then every 50 hours after that. Do a routine inspection of the opener at this time for best performance and less down time.

ASSEMBLY INSTRUCTIONS

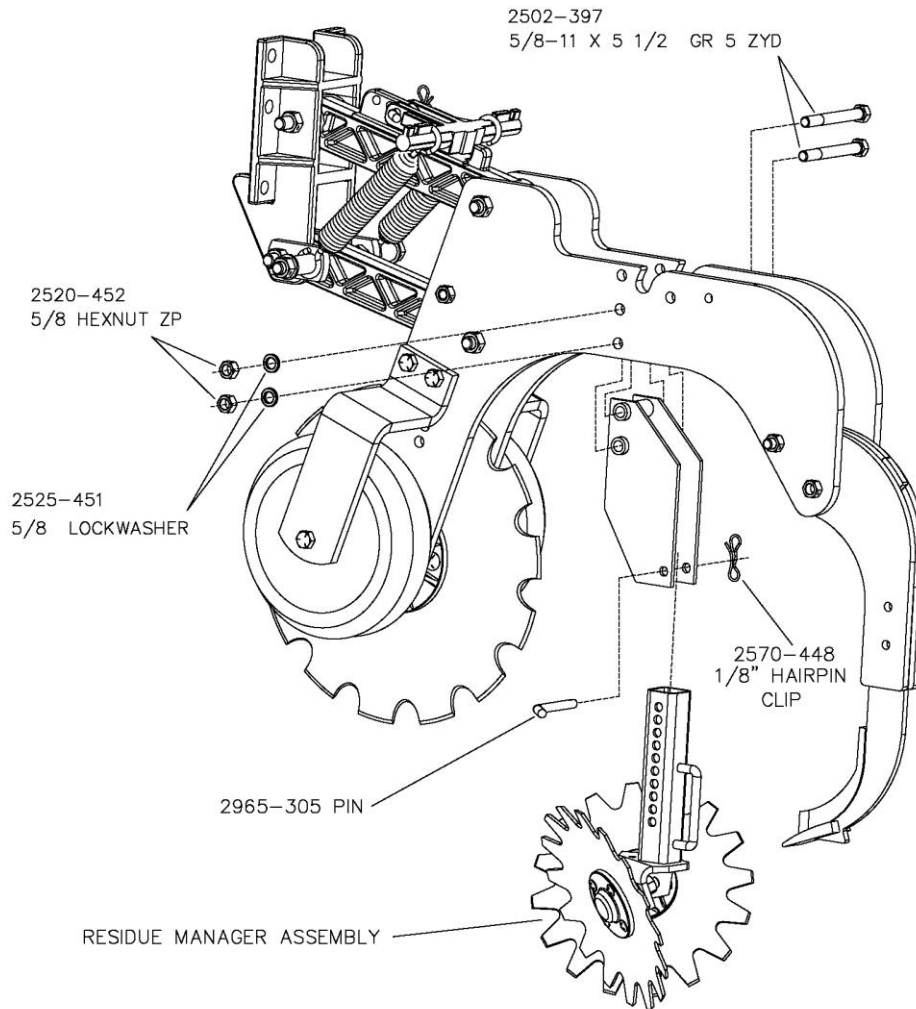
2984-028-ST - RESIDUE MANAGER

2984-029-ND - RESIDUE MANAGER

STEP 1. Install the wheel stem assembly

Initial Adjustment for the residue manager needs to be set at soil surface. For example: fertilizer is to be placed 6" deep, the residue manager should be adjusted 6" above the tip of the knife.

Field adjustment: In field adjustments to the residue manager will need to be done for best performance of residue manager. As conditions change, soil types, tilth, moisture, amount of residue, type of residue, the residue manager's depth adjustment may also need to change.



IMPORTANT: See Maintenance Lubrication section for instructions before assembly!

1787-20

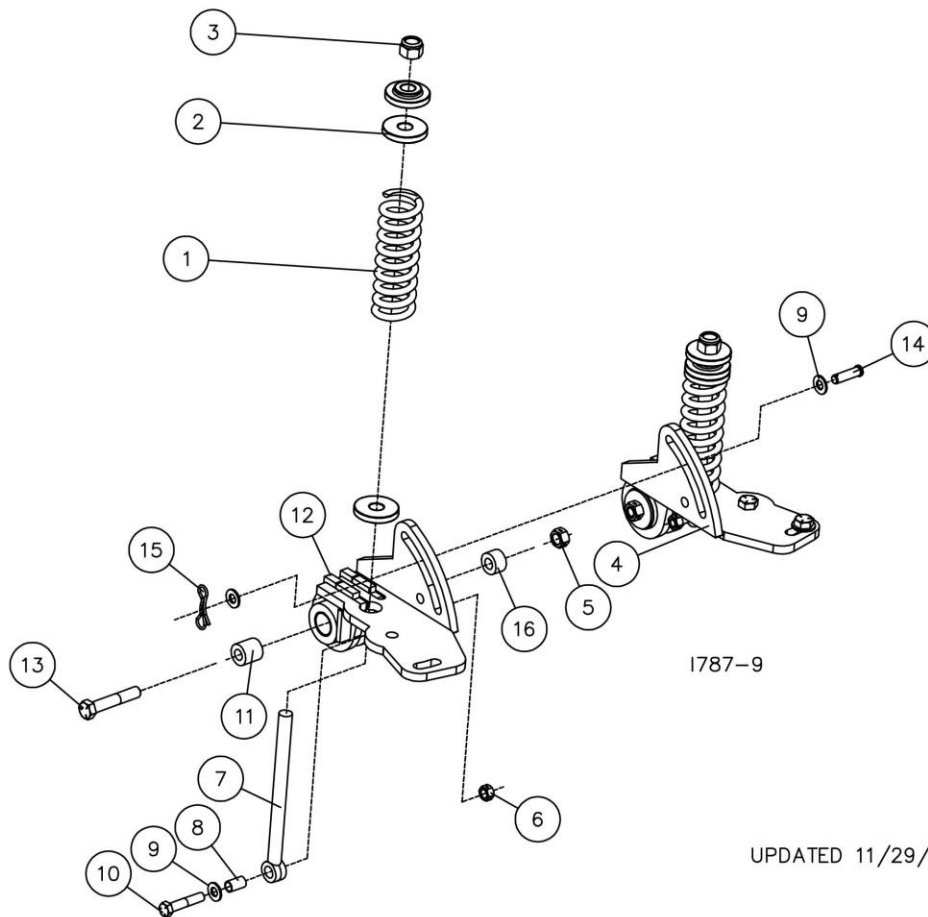
ASSEMBLY INSTRUCTIONS

2984-030-N – NOTCHED DISC SEALER KIT

2984-030-S – SMOOTH DISC SEALER KIT

STEP 1.

DET	QTY	PART NO.	DESCRIPTION
1	2	2920-350	COMPRESSION SPRING
2	6	2975-302	SPRING BUSHING
3	2	2520-516	3/4-10NYLON INSERT LCKNT ZP
4	1	2984-126-R	RH SEALER PIVOT ASSEMBLY
5	2	2520-459	5/8-11 LOCK HEX NUT ZP
6	2	2520-357	1/2-13 LOCK HEX NUT ZP
7	2	2570-126	3/4" DIA. EYEBOLT, 5/8" EYE, ZP
8	2	2984-394	BUSHING, PIVOT
9	4	2526-352	1/2 SAE FLATWASHER ZP
10	2	2502-296	1/2-13 X 2-1/2 HHCS GR5 ZP
11	2	2984-397	SEALER INNER PIVOT BUSHING
12	1	2984-126-L	LH SEALER PIVOT ASSEMBLY
13	2	2502-324	5/8-11 X 3-1/2 HHCS GR5 ZP
14	1	2984-399	CLEVIS PIN
15	1	2570-448	.120BOWTIE LCKING COTT ZYD
16	2	2984-424	SEALER INNER PIVOT BUSHING, SHORT



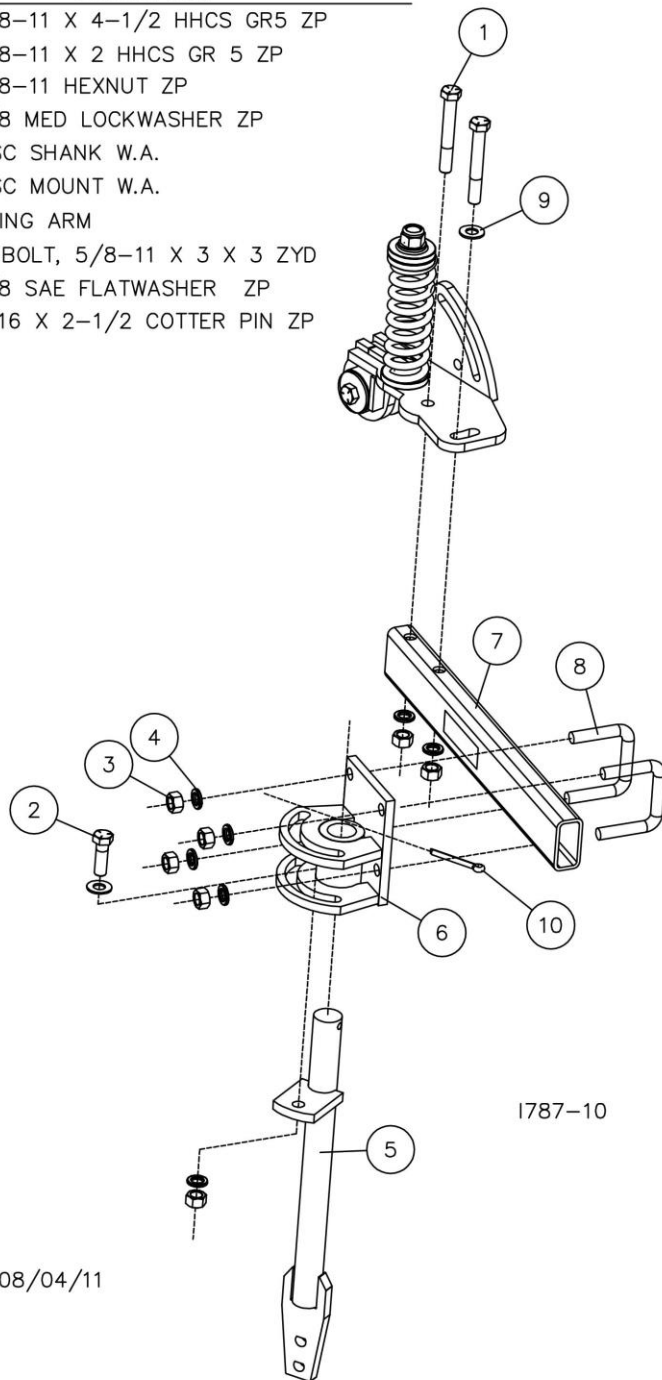
ASSEMBLY INSTRUCTIONS

2984-030-N – NOTCHED DISC SEALER KIT

2984-030-S – SMOOTH DISC SEALER KIT

STEP 2:

DET	QTY	PART NO.	DESCRIPTION
1	4	2502-334	5/8-11 X 4-1/2 HHCS GR5 ZP
2	2	2502-391	5/8-11 X 2 HHCS GR 5 ZP
3	16	2520-452	5/8-11 HEXNUT ZP
4	16	2525-451	5/8 MED LOCKWASHER ZP
5	2	2984-223	DISC SHANK W.A.
6	2	2984-216	DISC MOUNT W.A.
7	2	2984-378	SWING ARM
8	4	2570-563	U-BOLT, 5/8-11 X 3 X 3 ZYD
9	4	2526-453	5/8 SAE FLATWASHER ZP
10	2	2531-161	5/16 X 2-1/2 COTTER PIN ZP



1787-10

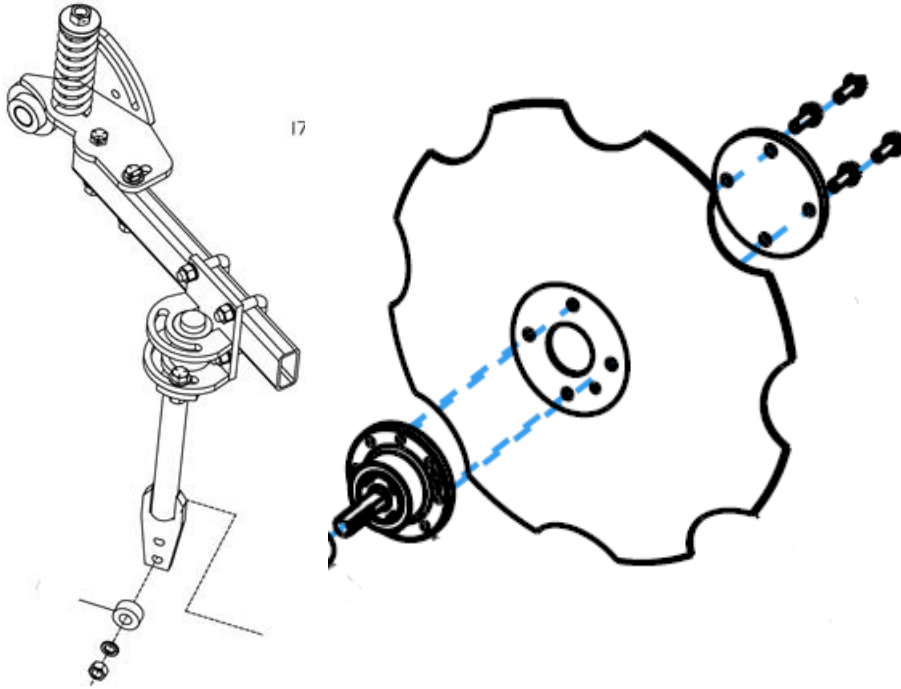
UPDATED 08/04/11

ASSEMBLY INSTRUCTIONS

2984-030-N – NOTCHED DISC SEALER KIT

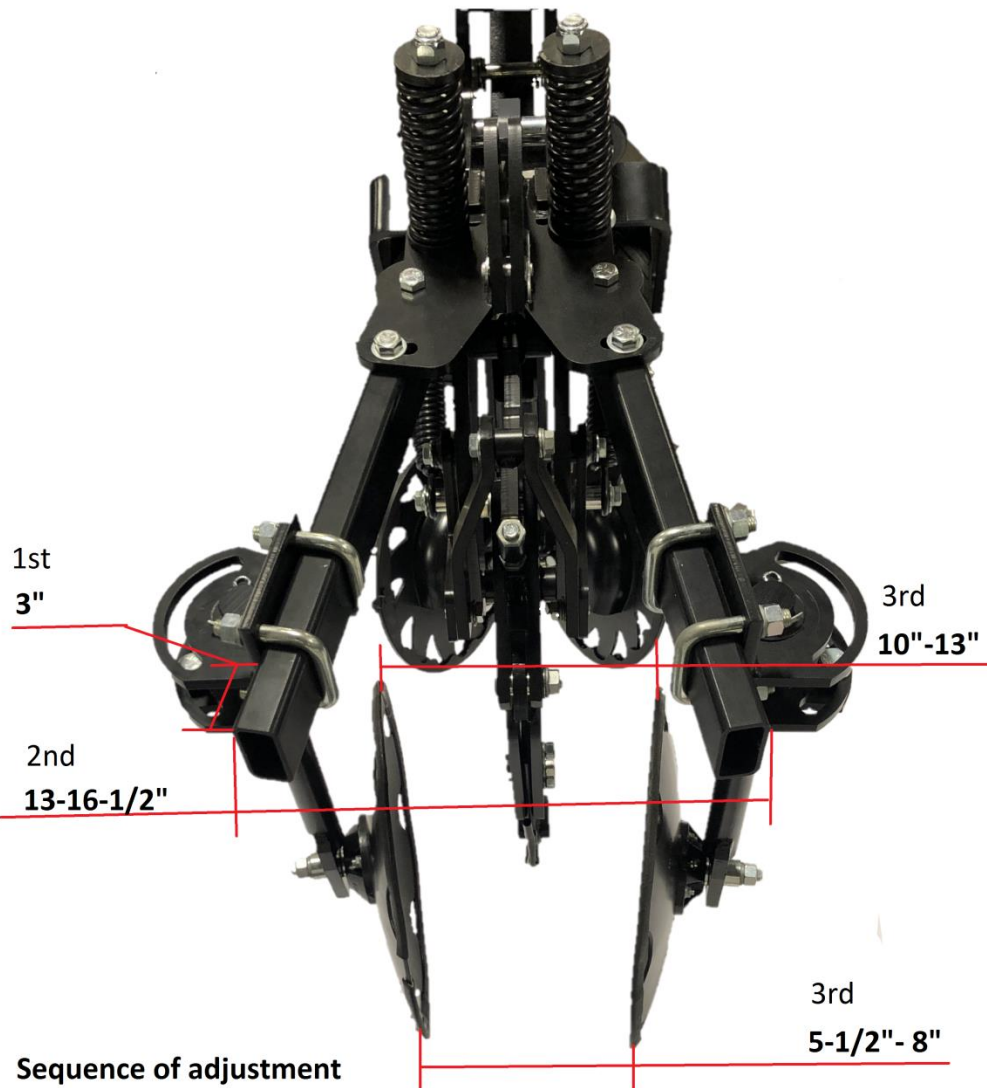
2984-030-S – SMOOTH DISC SEALER KIT

STEP 3. Attach the blade/hub assembly to the 2920-329 L-bracket using a 5/8" lock washer and 5/8" hex nut. Torque 150 ft.lbs.



ASSEMBLY INSTRUCTIONS

STEP 4: Adjust the angle of the disc blades so they are centered on the knife, and within the starting parameters shown below

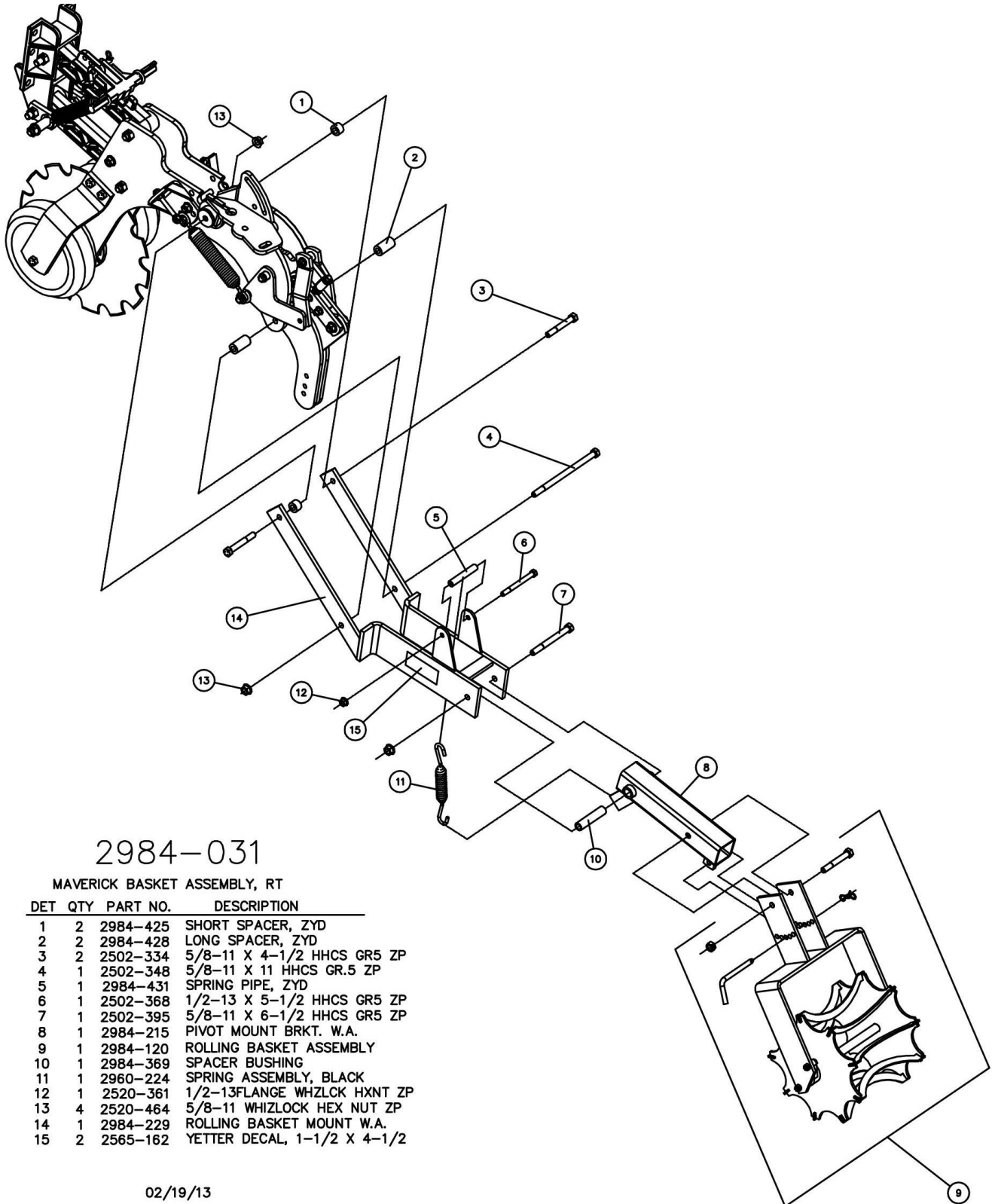


- Sequence of adjustment**
- 1)Fore/aft of sealers compared to knife
 - 2)width of sealer arms
 - 3)Blade pitch

ASSEMBLY INSTRUCTIONS

ROLLING BASKET ATTACHMENT

STEP 1. Attach Rolling Basket mount bracket to the Maverick™ Opener using the 5/8" X 6 1/2" hex bolts, secure with 5/8" lock hex nuts.



2984-031

MAVERICK BASKET ASSEMBLY, RT

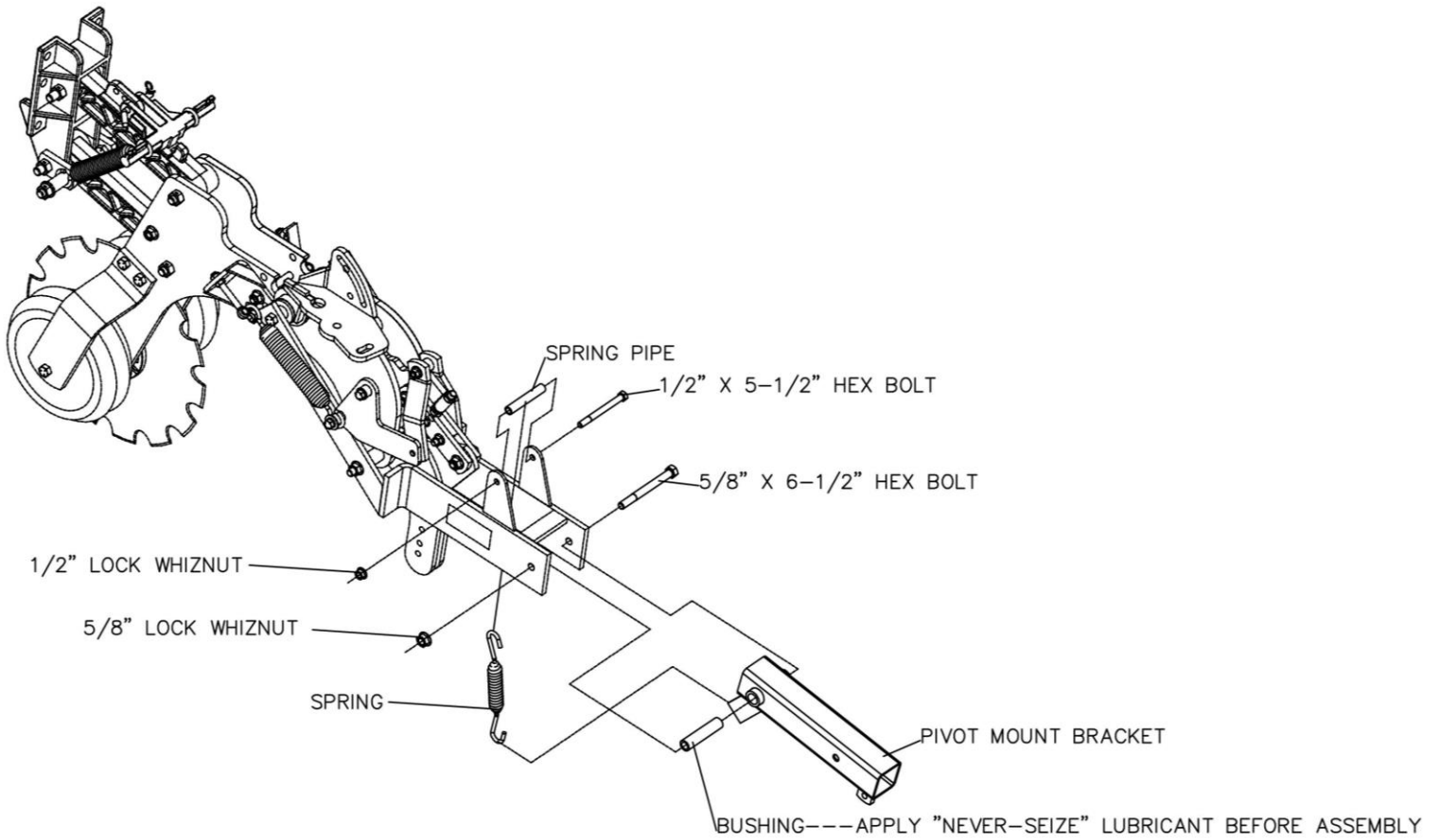
DET	QTY	PART NO.	DESCRIPTION
1	2	2984-425	SHORT SPACER, ZYD
2	2	2984-428	LONG SPACER, ZYD
3	2	2502-334	5/8-11 X 4-1/2 HHCS GR5 ZP
4	1	2502-348	5/8-11 X 11 HHCS GR.5 ZP
5	1	2984-431	SPRING PIPE, ZYD
6	1	2502-368	1/2-13 X 5-1/2 HHCS GR5 ZP
7	1	2502-395	5/8-11 X 6-1/2 HHCS GR5 ZP
8	1	2984-215	PIVOT MOUNT BRKT. W.A.
9	1	2984-120	ROLLING BASKET ASSEMBLY
10	1	2984-369	SPACER BUSHING
11	1	2960-224	SPRING ASSEMBLY, BLACK
12	1	2520-361	1/2-13FLANGE WHZLCK HXNT ZP
13	4	2520-464	5/8-11 WHIZLOCK HEX NUT ZP
14	1	2984-229	ROLLING BASKET MOUNT W.A.
15	2	2565-162	YETTER DECAL, 1-1/2 X 4-1/2

02/19/13

ASSEMBLY INSTRUCTIONS

ROLLING BASKET ATTACHMENT

STEP 2. Attach the pivot bracket and bushing (apply "never seize" lubrication to the bushing before installing) to the mount bracket using the 5/8" x 6 1/2" hex bolt and 5/8" lock hex nut.

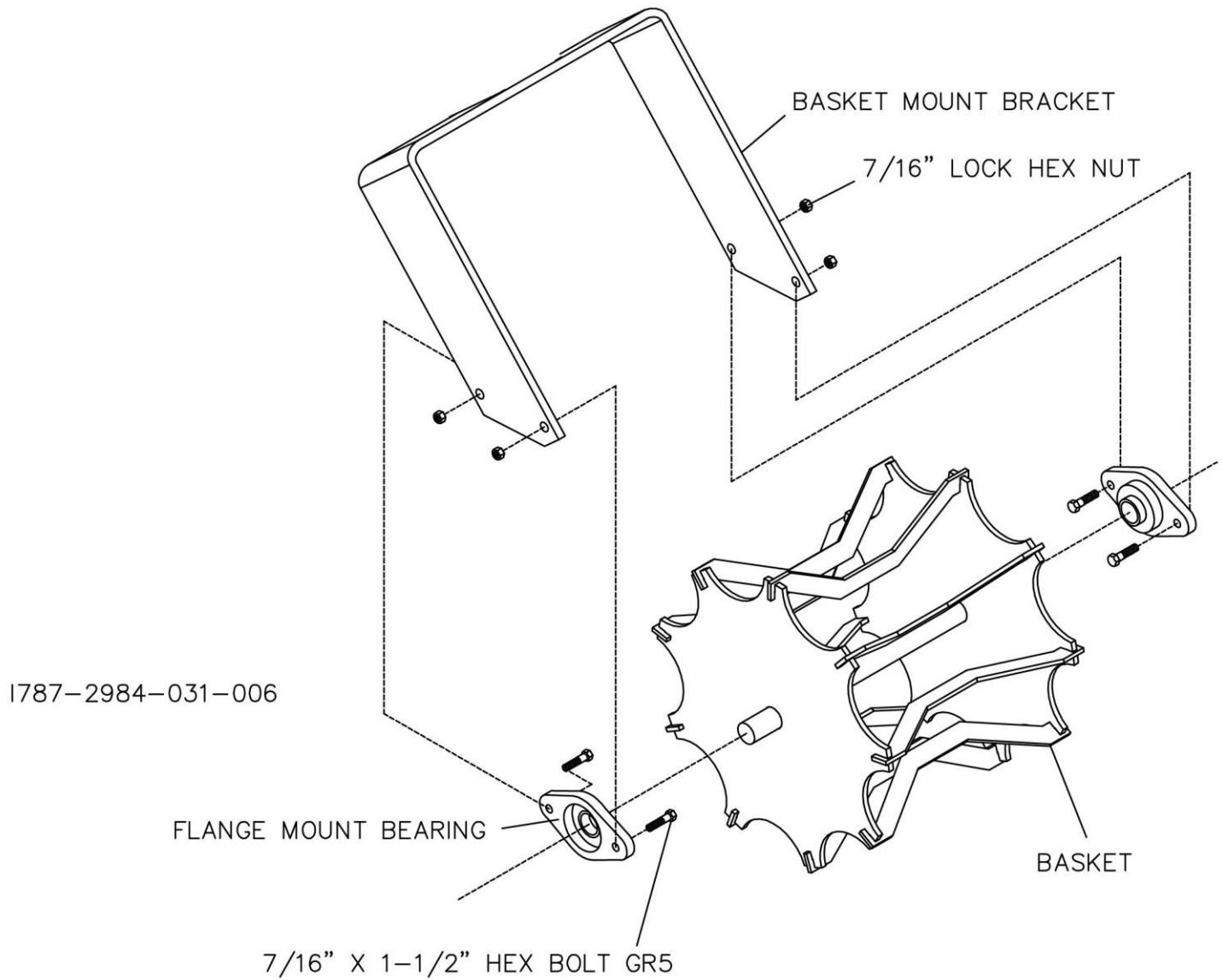


1787-2984-031-003

ASSEMBLY INSTRUCTIONS

ROLLING BASKET ATTACHMENT

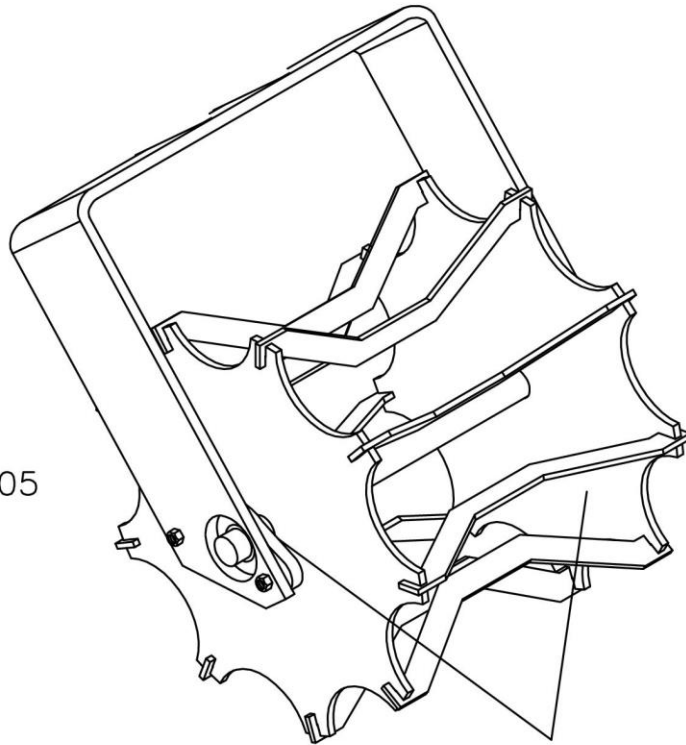
STEP 3. Install the basket with flange mount bearings to the basket mount bracket using (4) 7/16" x 1 1/2" hex bolt and 7/16" lock hex nut.



ASSEMBLY INSTRUCTIONS

ROLLING BASKET ATTACHMENT

STEP 4. Center the basket in the basket mount bracket and “triple tighten” the set screws.



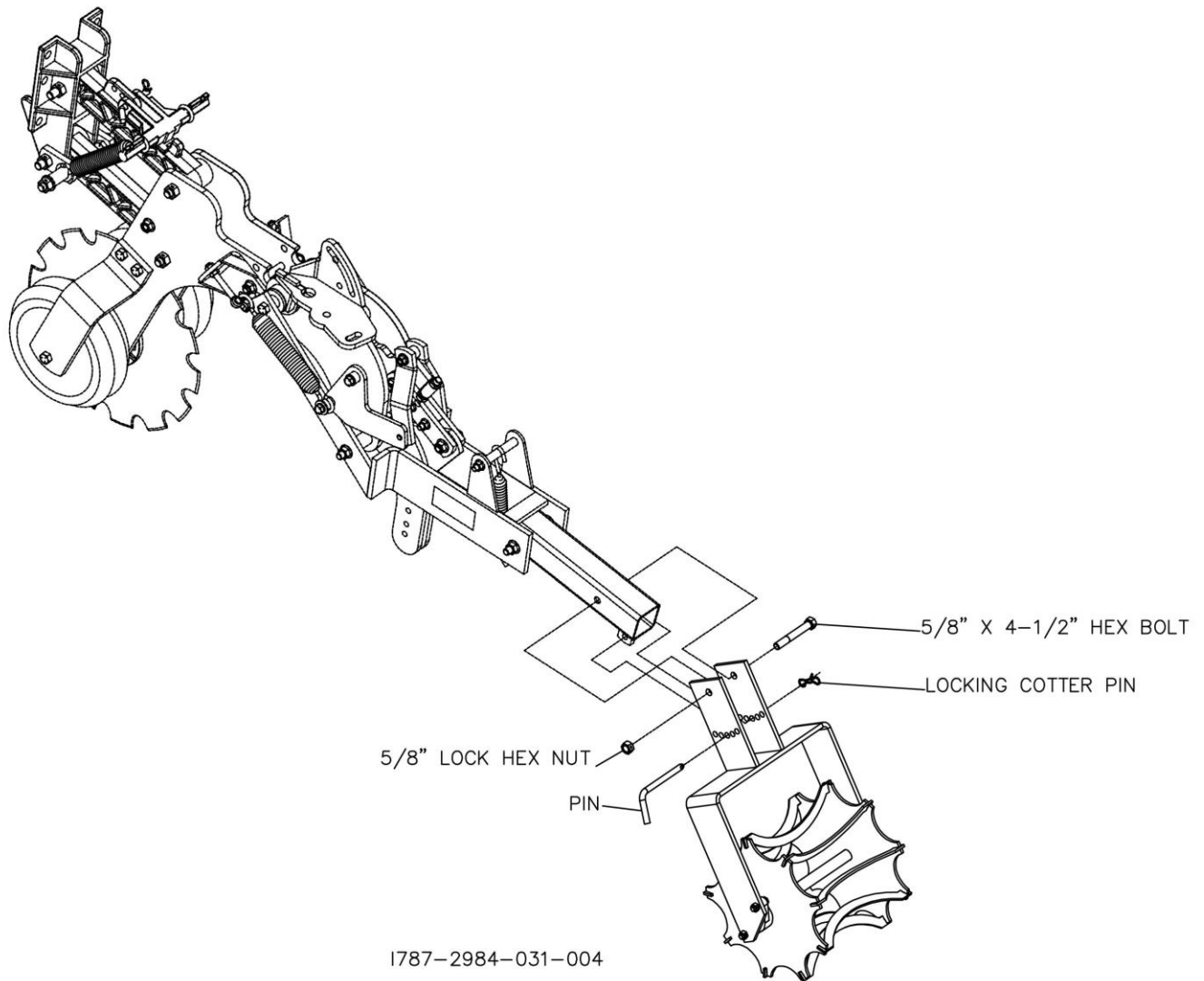
1787-2984-031-005

NOTE: TIGHTEN SET SCREWS IN BEARINGS AFTER THE UNIT IS COMPLETELY ASSEMBLED, MAKE SURE BASKET IS CENTERED.

ASSEMBLY INSTRUCTIONS

ROLLING BASKET ATTACHMENT

STEP 5. Attach the basket mount bracket to the pivot bracket using the 5/8" x 4 1/2" hex bolt and 5/8" lock hex nut. Also, install the adjustment pin and 1/8" hairpin cotter.



OPERATION

YETTER model 2984 MAVERICK OPENER™ is a multi-functional tool designed for use in a fertilizer management system. It is capable of residue management, precision fertilizer placement, soil tilth, and soil berm/mound building all in one pass. Thus creating a seedbed that will increase your Return On Investment.

It is important to know that the 2984 MAVERICK OPENER™ unit is similar to a row crop planter unit in operation, thus it is very important to adjust the frame height and levelness for best performance. Soil conditions (i.e.; frozen soil, rocks, heavy, tough residue) have a major influence on the performance of the MAVERICK OPENER™. If damp soil is building up on the wheels, discs or knives then conditions are less than ideal and the unit will not perform at its best.



CAUTION: Frozen soil or heavy rock population may cause damage to the MAVERICK OPENER™.



IMPORTANT: For proper operation, the toolbar frame must operate level (for, aft. and side to side) and at the correct height, typically 24”.

In hard or rocky soil conditions, the desired operating depth of the knife may not be possible. Increase the spring pressure to obtain the desired depth rather than lower the toolbar frame below the 24” recommended setting. Toolbar weight may limit operating depth in hard soil conditions; add ballast to the toolbar frame. Example 200#’s per opener have been added to the frame to achieve the desired depth. Operating depth of the MAVERICK OPENER™ is affected by spring tension, toolbar height, and levelness of toolbar and soil tilth. As soil conditions change, toolbar settings and coulter adjustments will need to be changed as well.

Toolbar gauge wheel kits are optional but advocated for use with the MAVERICK OPENER™ because of toolbar frame height being critical for proper operation, 24”.

1. Set/mount coulter blades to run perpendicular to the soil. Operation depth and blade wear can be affected if the coulter mounted crooked or if the toolbar is not level side to side.
2. After a few hours of use, check all bolts for tightness and proper torque.
3. After a day of use (10-12 hours) check coulter hubs for loose bearings. There should be no endplay in the hub bearings allowing the blade to wobble. If necessary, remove cotter pin and adjust the slotted nut to remove wobble, recommended torque of 13 ft. lbs. and re-insert cotter pin. If the wobble or looseness cannot be corrected, the bearings, cups and seals will need to be replaced. DO NOT REUSE WORN OR DAMAGED PARTS.

OPERATION



WARNING

Never clean, lubricate or adjust a machine that is in motion. Always lower or block the implement before performing service.

If machine must be serviced in the raised position, jack or block it up to prevent it from accidentally falling and injuring someone.

Do not allow riders on the tractor or implement.

Use speeds and caution dictated by the terrain being traversed. Do not operate on any slope steep enough to cause tipping or loss of control.

Be sure all personnel are clear of the immediate area before operating.

Read and understand the operator's manual and require all other persons who will operate the equipment to do the same.

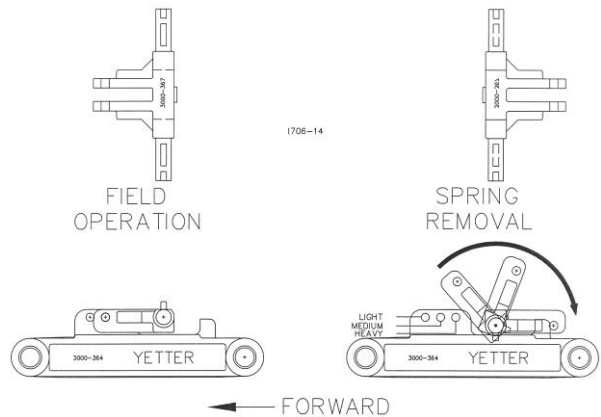
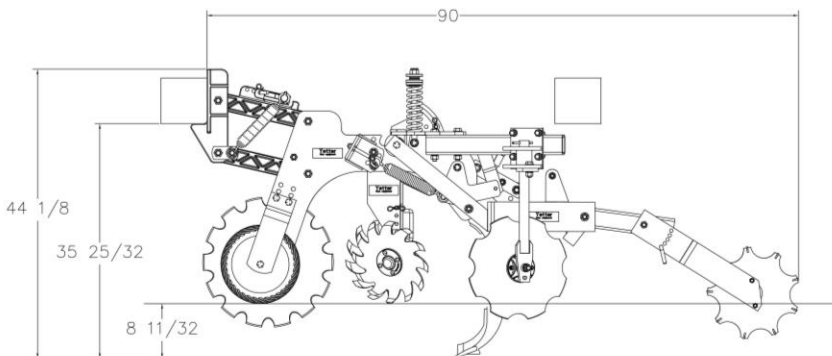
Be familiar with all tractor and implement controls and be prepared to stop engine and implements quickly in an emergency.

FAILURE TO HEED MAY RESULT IN PERSONAL INJURY OR DEATH.

NOTE: Adjustments to the MAVERICK OPENER™ are best done while in the field where the unit is to be operated.

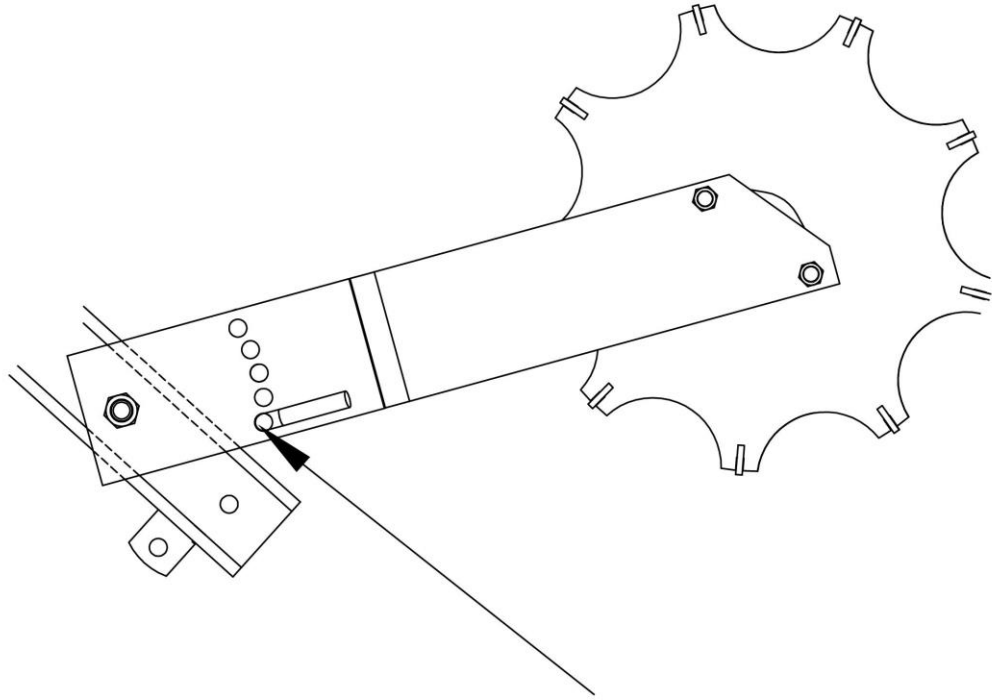
STEP 1. Set the toolbar frame height at 24". This height, from the top of the soil to the bottom of the toolbar, seems to work for the best performance of the MAVERICK OPENER™. Adjust the toolbar gauge wheels up or down to get the 24" from the bottom of the gauge wheel to the bottom of the toolbar. Adjust the spring tension on the upper parallel arm; forward for lighter setting and rearward for heavier setting (TWO ADDITIONAL SPRINGS ARE AVAILABLE IF NEEDED). The pin must be installed to hold the spring bar at the desired setting. Add or remove weight to the toolbar to achieve the proper toolbar frame height.

NOTE: Toolbar frame levelness and height adjustments are very important settings for correct performance of the coulters.



OPERATION

STEP 1. Disengage Rolling Basket Attachment – Lift basket and insert pin. See diagram.

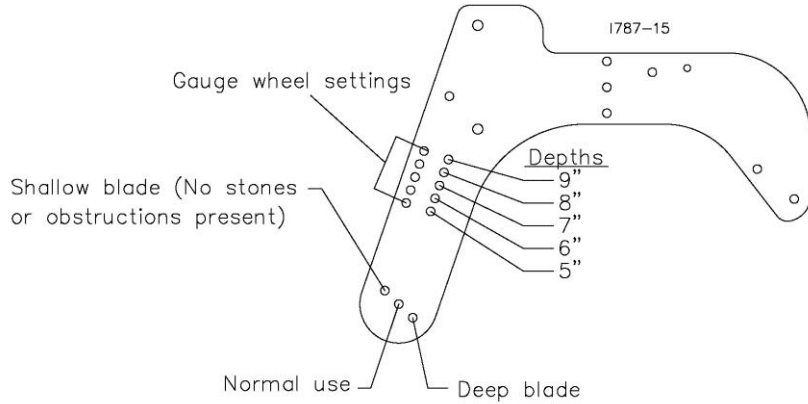


BASKET "LOCK-UP" PIN LOCATION

I787-2984-031-ADJUSTMENT

OPERATION

STEP 2. Set the coulter depth based on soil conditions, (i.e. tilth, stones or crop residue). For proper operation of the MAVERICK OPENER™, the coulter must cut through crop residues including roots. For best performance 3"-4" depth is recommended. Raising the blade helps to cut residue rather than pushing it ahead and not cutting. Operating the blade deep puts the hub and mounting plates close to the surface and may create plugging in heavy residue.



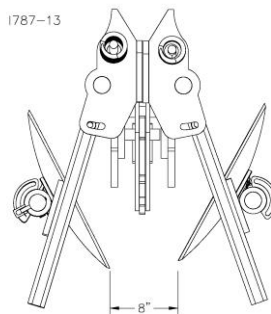
STEP 3. Set the depth of the knife by adjusting toolbar height and spring tension on the parallel arms.

STEP 4. Adjust the residue manager to move crop residue aside and not move any soil. Adjustments to the residue manager may have to be made when changing field conditions and type and amount of residue.

ROW CLEANER DO's AND DON'T's:

1. **DO NOT** move soil; Residue Managers are designed to move crop residue only.
2. **DO NOT** operate toolbar at slow speeds, ground speed affects how aggressive the spoke wheels are; operate at sufficient speed (5-7 mph) to maintain good residue flow.
3. **DO NOT** expect 100% of crop residue to be cleared, it is not necessary and would necessitate engaging the soil. The width of path cleared depends on ground conditions, depth setting and ground speed.
4. **DO** expect to see wheels occasionally quit turning, indicates ideal (shallow) setting which is not moving soil.
5. **DO** adjust toolbar frame height 24" and levelness. Very important to ensure L749 MAVERICK OPENER™ will follow ground contours properly.
6. **DO** adjust MAVERICK OPENER™ down pressure kit correctly to prevent excessive depth.

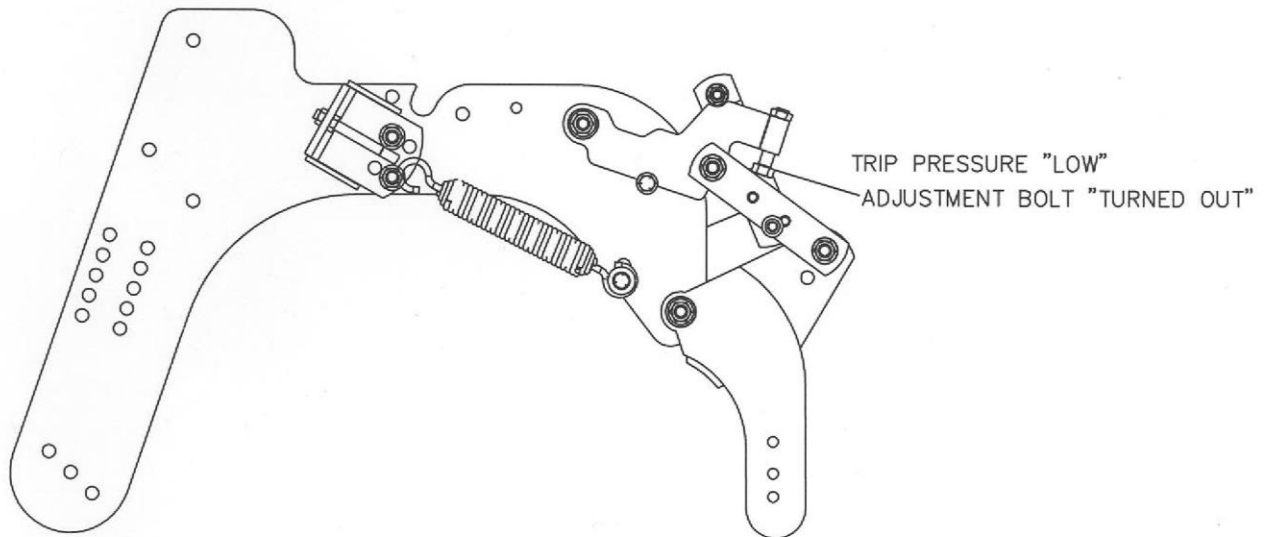
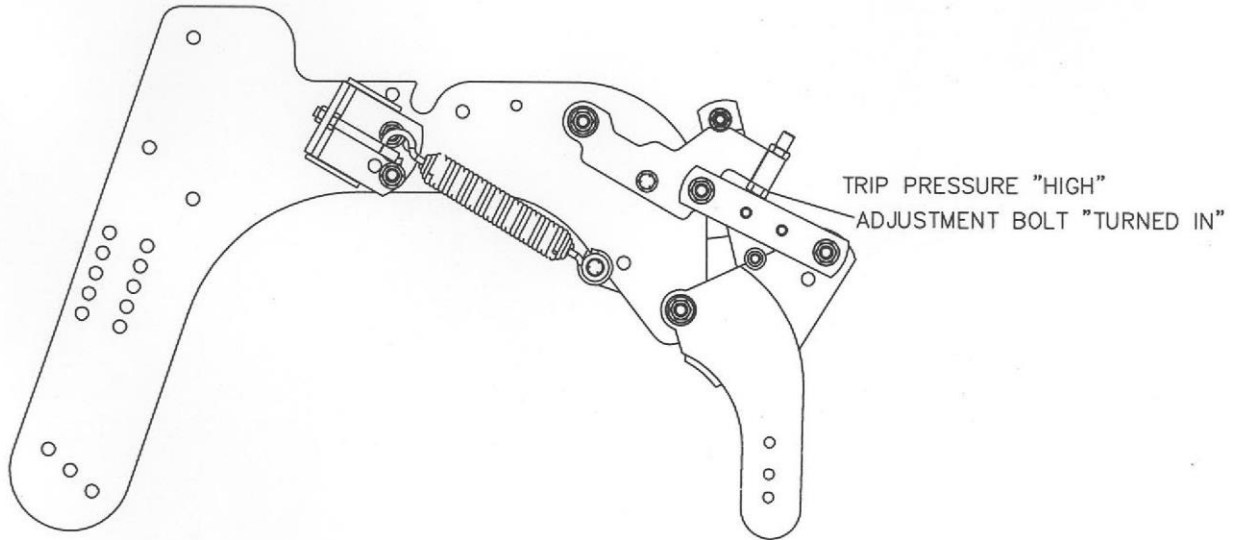
STEP 5. Adjust the Sealing Discs/Wheels. The width and height of the mound/berm depends on ground conditions, depth setting, spring tension, blade angle and ground speed. A popular setting for the blade adjustment is 8" at the rear of the blades, equal distance from the center of the row.



OPERATION – ADJUSTMENT

OPERATION

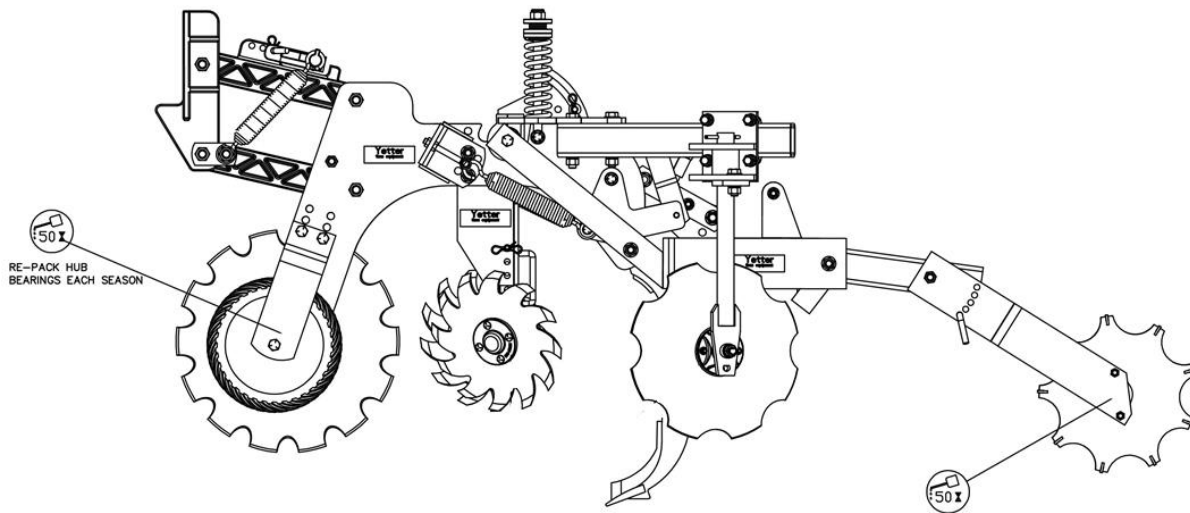
Rock Trip Auto Reset Option



1787-2984-ROCK TRIP-003

MAINTENANCE

LUBRICATION: USE #2 MULTI-PURPOSE POLYUREA GREASE



To ensure longevity and reliability of the MAVERICK OPENER™ HR Plus, the recommended lubrication schedule should be followed using multi-purpose grease at intervals as indicated.

BEARING ADJUSTMENT:

1. Raise the toolbar until the blade is clear of the ground. Place a safety stand under the toolbar. Remove the cotter pin, slotted nut, washer and bolt from the hub assembly. Remove the blade from the hub assembly.
2. Remove bearing cones and seal from the hub.
3. Wash the old grease from the hub, bearing cups, spindle spacers, seals and bearing cones. Inspect the condition of bearing cups, cones and seals. Replace if necessary.
4. Apply #2 multi-purpose polyurea grease on each bearing. Make sure the space around each roller is filled. Lubricate the bearing cups.
5. Position the bearing in the cup and install the seal. Lubricate the seal lips and proceed with re-assembly of the removed parts including the blade. Blade bolt torque is 90 to 96 ft/lbs.
6. Tighten the slotted nut to 10 to 15 ft/lbs. or until a definite drag is felt when the blade is turned by hand. Tighten the nut one slot position to line up the cotter pin hole with a slot. Secure the nut with a new cotter pin.

KNIFE WEAR:

The lower portion of the knife and tube are subject to wear during operation. The rate of wear will depend on a variety of factors and in abrasive soil conditions the wear will be more rapid.

NOTE: In certain areas, replacement knives should be kept in stock, replacing worn knives as needed.

MAINTENANCE

Lubrication



CAUTION: To help prevent serious injury or death to you or others caused by unexpected movement, service machine on a level surface. Lower machine to ground or sufficiently lock or block raised machine before servicing. If machine is connected to tractor, engage parking brake and place transmission in "PARK", shut off engine and remove key. If machine is detached from tractor, block wheels and use shop stands to prevent movement.



CAUTION: Do not clean, lubricate, or adjust machine while in motion.

Use grease based on NLGI consistency numbers and the expected air temperature range during the service interval.

Use a polyurea, water resistant, moderate speed, and NLGI grade #2 grease.

Other greases may be used if they meet the following NLGI Performance Classification:
GC-LB

IMPORTANT: Some types of grease thickener are not compatible with others.

Consult your grease supplier before mixing different types of grease.

Alternative Lubricants

Conditions in certain geographical areas may require special lubricants and lubrication practices which do not appear in the operator's manual. If there are any questions, consult Yetter Manufacturing Co. to obtain latest information and recommendation.

Storing Lubricants

Your machine can operate at top efficiency only if clean lubricants are used. Use clean containers to handle all lubricants. Store them in an area protected from dust, moisture, and other contaminants.

IMPORTANT: The recommended service intervals are based on normal conditions; severe or unusual conditions may require more frequent lubrication.

Perform each lubrication and service procedure at the beginning and end of each season. Clean grease fittings before using grease gun, to avoid injecting dirt and grit into the bearing. Replace any lost or broken fittings immediately. If a fitting fails to take grease, remove and clean thoroughly, replace fitting if necessary. Also check for failure of adjoining parts.

MAINTENANCE

Storing the Equipment

Store the machine in an area away from human activity.

Store machine in RAISED position.

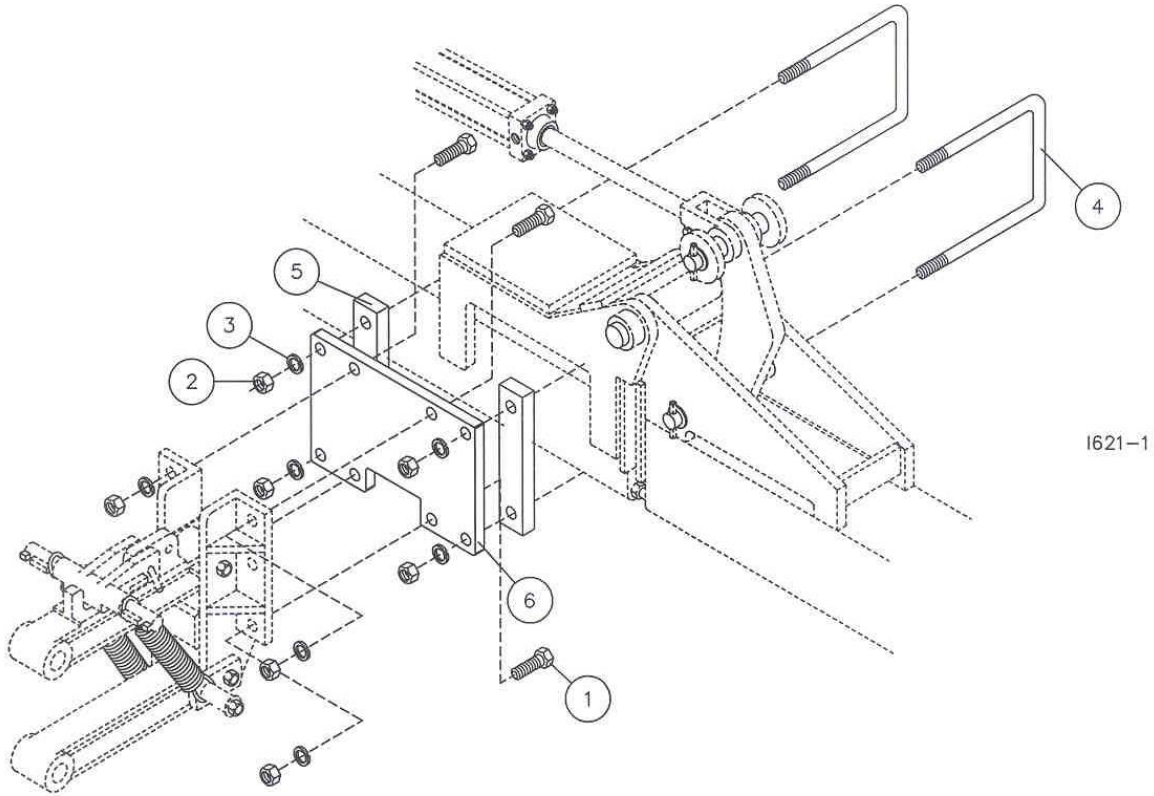
Install service locks on all wheel cylinders.

At the end of the season, the machine should be thoroughly inspected and prepared for storage. Repair or replace any worn or damaged components to prevent down time at the start of the next season. Store machine under cover with all parts in operating condition.

- Clean machine thoroughly to remove all dirt, debris and crop residue, which would hold moisture and cause rusting.
- Inspect machine for worn or broken parts. See your Yetter Farm Equipment dealer during the off-season so that parts or service can be acquired when machine is not needed in the field.
- Lubricate bearings as outlined in the Lubrication section
- Paint all parts which are chipped or worn and require repainting.
- Store machine in a clean, dry place with the planting unit out of the sun.
- If the machine cannot be stored inside, cover with a waterproof tarpaulin and tie securely in place.
- Do not allow children to play on or around the machine

PARTS IDENTIFICATION

3000-131 PLATE ASSEMBLY

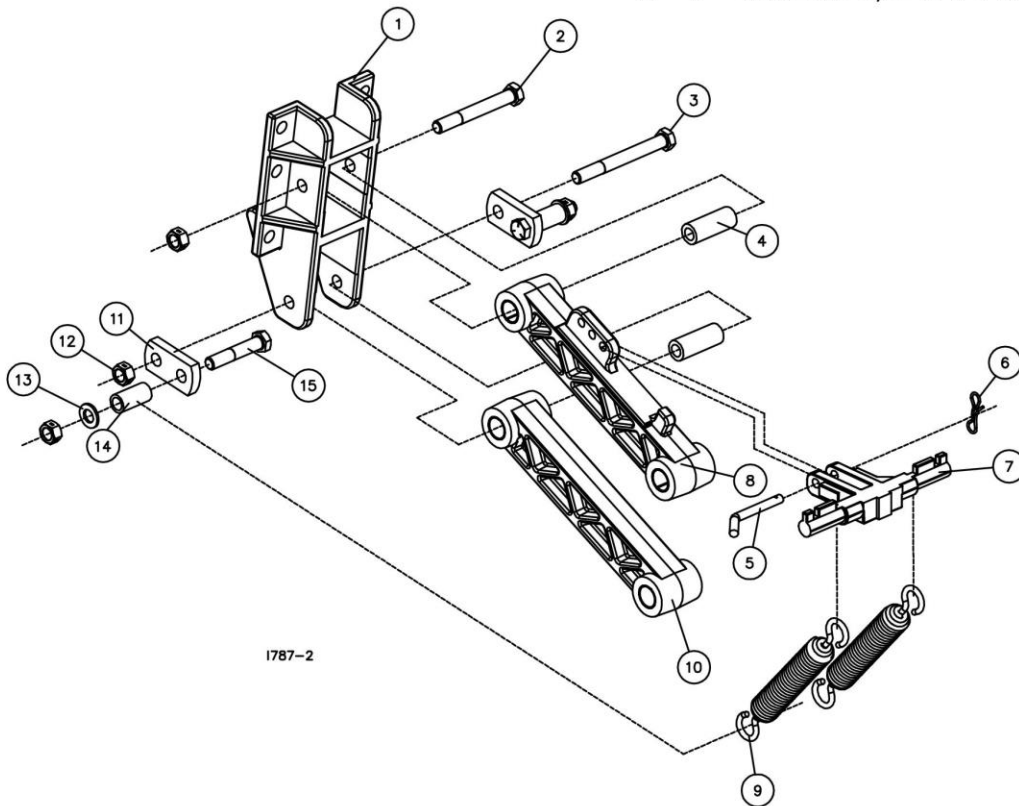


KEY	QTY.	PART NO.	DESCRIPTION
1	4	2502-407	3/4-10 X 2-1/2" HHCS GR.5, ZP.
2	8	2520-504	3/4-10 HEX NUT, ZP.
3	8	2525-501	3/4 MED. LOCKWASHER, ZP.
4	2	2570-484	3/4 X 7 X 10 U-BOLT, ZP.
5	2	6001-477	1" SPACER, 7" BAR
6	1	3000-394	MOUNTING PLATE

PARTS IDENTIFICATION

3000-149 PARALLEL ARM ASSEMBLY, 09

DET	QTY	PART NO.	DESCRIPTION	DET	QTY	PART NO.	DESCRIPTION
1	1	3000-409	CLAMP BRACKET	8	1	3000-147	UPPER PARALLEL ARM ASSEMBLY
2	1	2502-510	3/4-10 X 6 HHCS GR. 5 ZYD	4	2528-367	BUSHING	
3	1	2502-509	3/4-10 X 7 HHCS GR. 5 ZYD	9	2	2550-754	1 5/8OD X .262 WIRE EXT SPRING
4	2	3000-408	INNER BUSHING, MAVERICK LINKAGE, ZYD	10	1	3000-148	LOWER PARALLEL ARM ASSEMBLY
5	1	2965-305	PIN, FURROWING ATTACHMENT ZYD	4	2528-367	BUSHING	
6	1	2570-448	1/8 BOWTIE LOCKING COTTER ZYD	11	2	2984-304	SPRING ANCHOR TAB
7	1	3000-367	UPPER SPRING BAR PAINTED	12	4	2520-515	3/4-10 LOCK HEX NUT ZP
				13	2	2526-504	3/4 SAE FLATWASHER
				14	2	2984-305	SPACER, SPRING ANCHOR
				15	2	2502-404	3/4-10 X 4 HHCS GR 5 ZYD

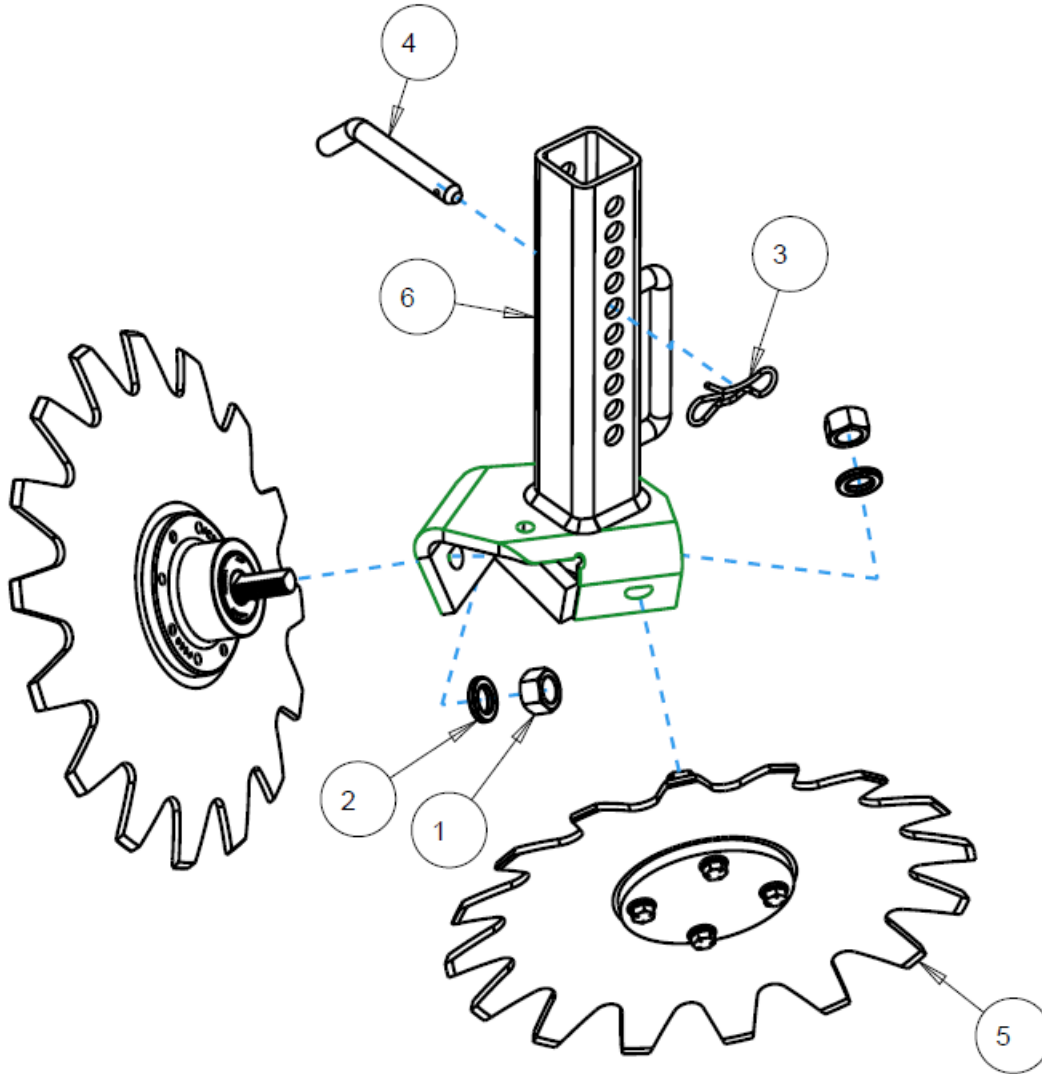


UPDATED 05/21/10

PARTS IDENTIFICATION

2984-029-ND-R (SHOWN)

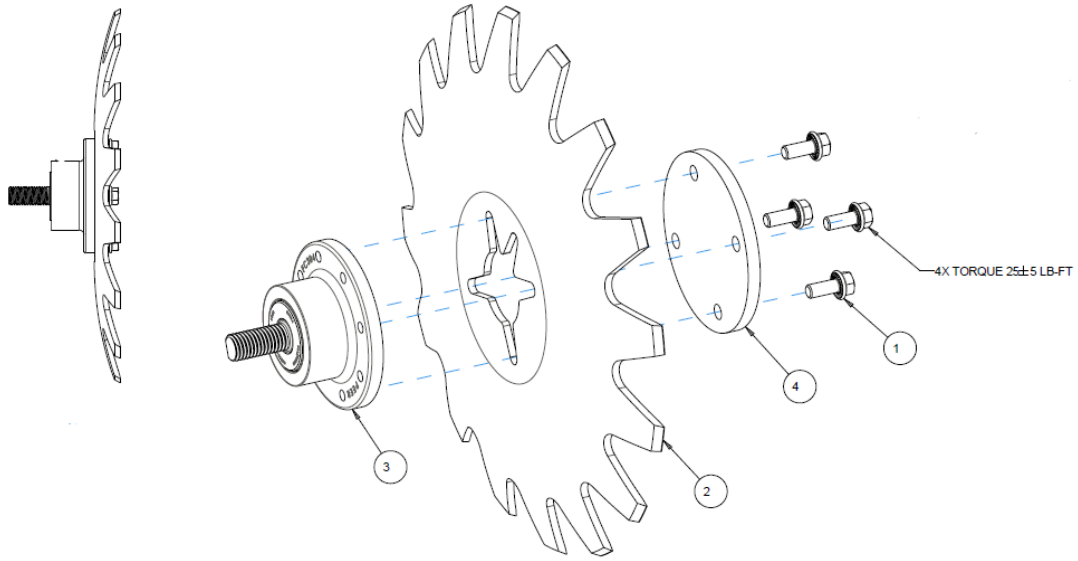
2984-029-ND-L



ITEM	PART NO.	DESCRIPTION	QTY
1	2520-452	5/8-11 HEX NUT GR 8 ZP	2
2	2525-451	5/8 MED. LOCKWASHER ZP.	2
3	2570-448	.120 BOWTIE LOCKING COTTER ZP	1
4	2965-305	PIN, FURROWING ATTACHMENT ZP	1
5	2966-160	NOTCHED DISC ASSEMBLY	2
6	2984-220-R	STAGGERED STEM R.H. W.A., STRIP TILL	1

PARTS IDENTIFICATION

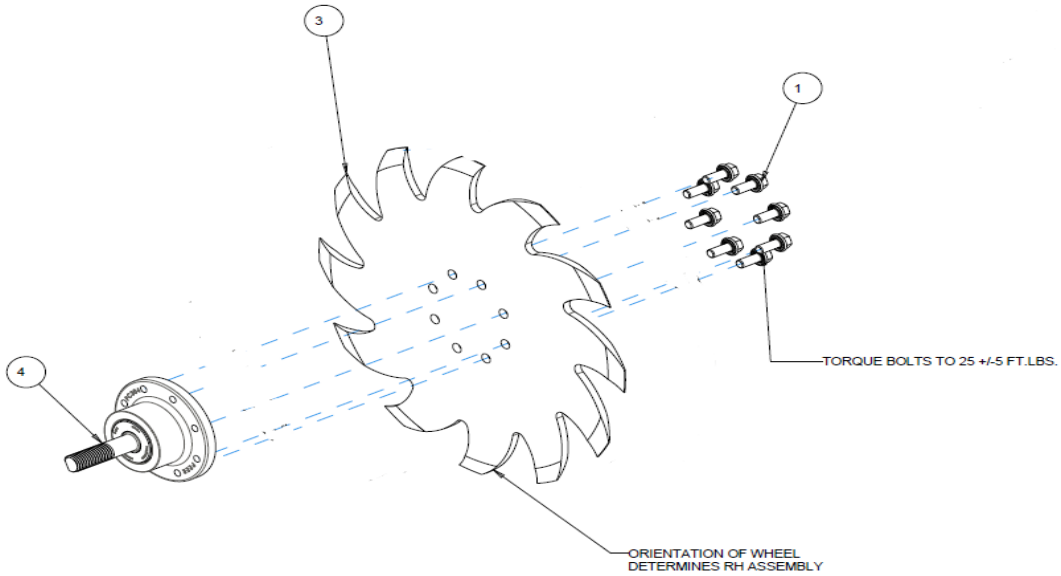
2966-160 NOTCHED DISC ASSEMBLY



ITEM	PART NO.	DESCRIPTION	QTY
1	2502-220	5/16-18 X 3/4 HHFS GR5 ZP	4
2	2571-277	16 TOOTH NOTCHED R.M. DISC, 13"	1
3	2965-500	HUB ASSEMBLY, 1.406 SPINDLE	1
4	2965-503	HUB CAP	1

PARTS IDENTIFICATION

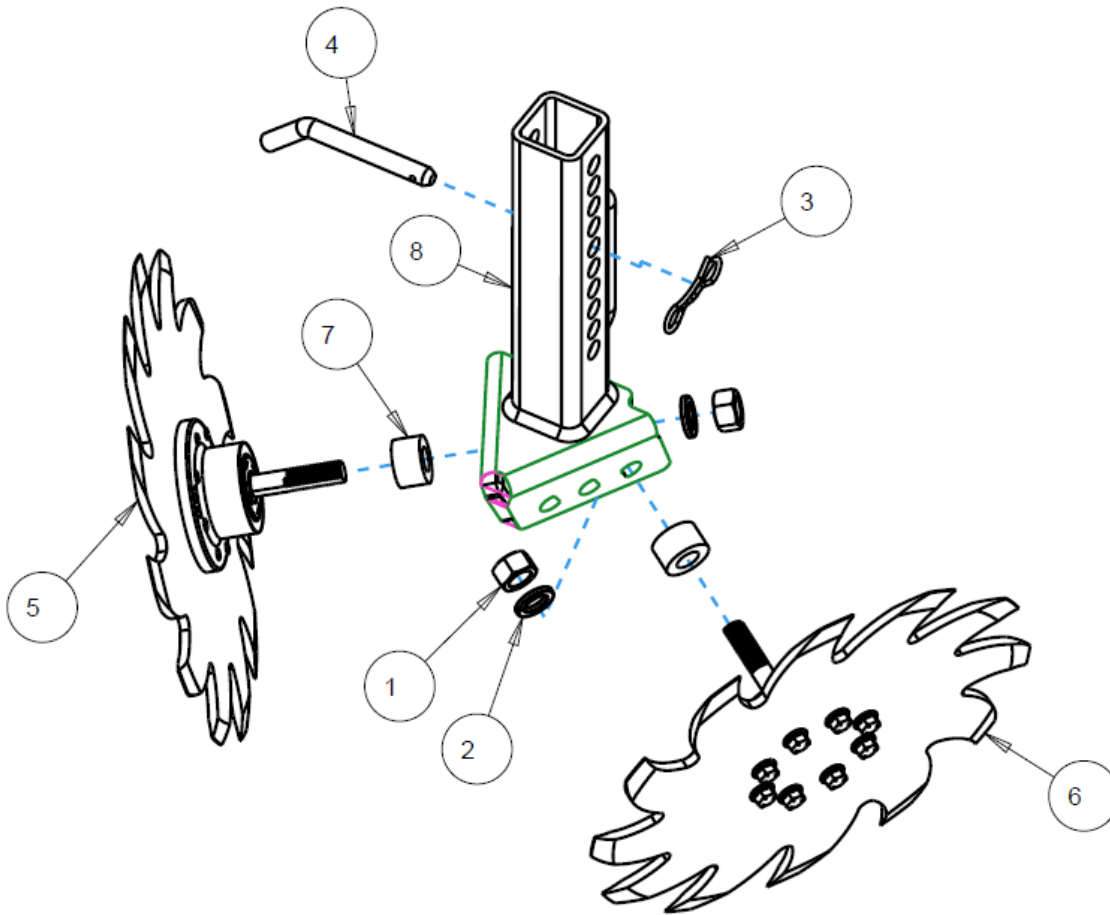
2966-102-ST RIGHT HAND SHARK TOOTH ASSEMBLY (SHOWN)
 2966-103-ST LEFT HAND SHARK TOOTH WHEEL ASSEMBLY



ITEM	PART NO.	DESCRIPTION	QTY
1	2502-220	5/16-18 X 3/4 HHFS GR5 ZP	8
2	2515-562	13" WHEEL COVER, BLACK	2
3	2571-286	SHARKTOOTH WHEEL, 8 BOLT	1
4	2965-501	HUB ASSEMBLY, 2.406 SPINDLE	1

PARTS IDENTIFICATION

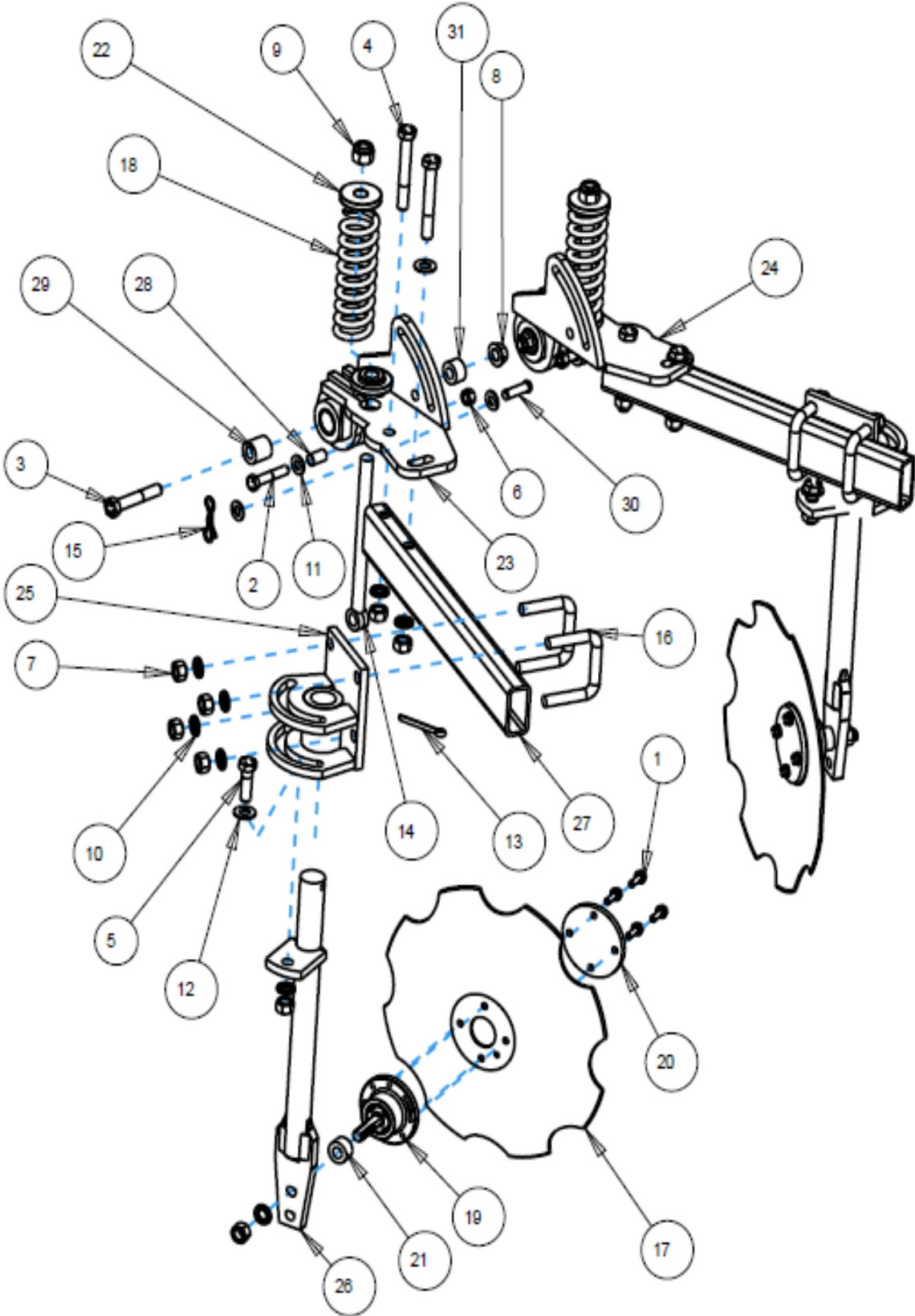
2984-028A-ST



ITEM	PART NO.	DESCRIPTION	QTY
1	2520-452	5/8-11 HEX NUT GR 8 ZP	2
2	2525-451	5/8 MED. LOCKWASHER ZP.	2
3	2570-448	.120 BOWTIE LOCKING COTTER ZP	1
4	2965-305	PIN, FURROWING ATTACHMENT ZP	1
5	2966-102-ST	SHARKTOOTH ASSEMBLY, R.H.	1
6	2966-103-ST	SHARKTOOTH ASSEMBLY, L.H.	1
7	2967-302	SPACER, 3/4" PLATED	2
8	2984-222	RM STEM W.A. STRIP TILL	1

PARTS IDENTIFICATION

2984-030A-N



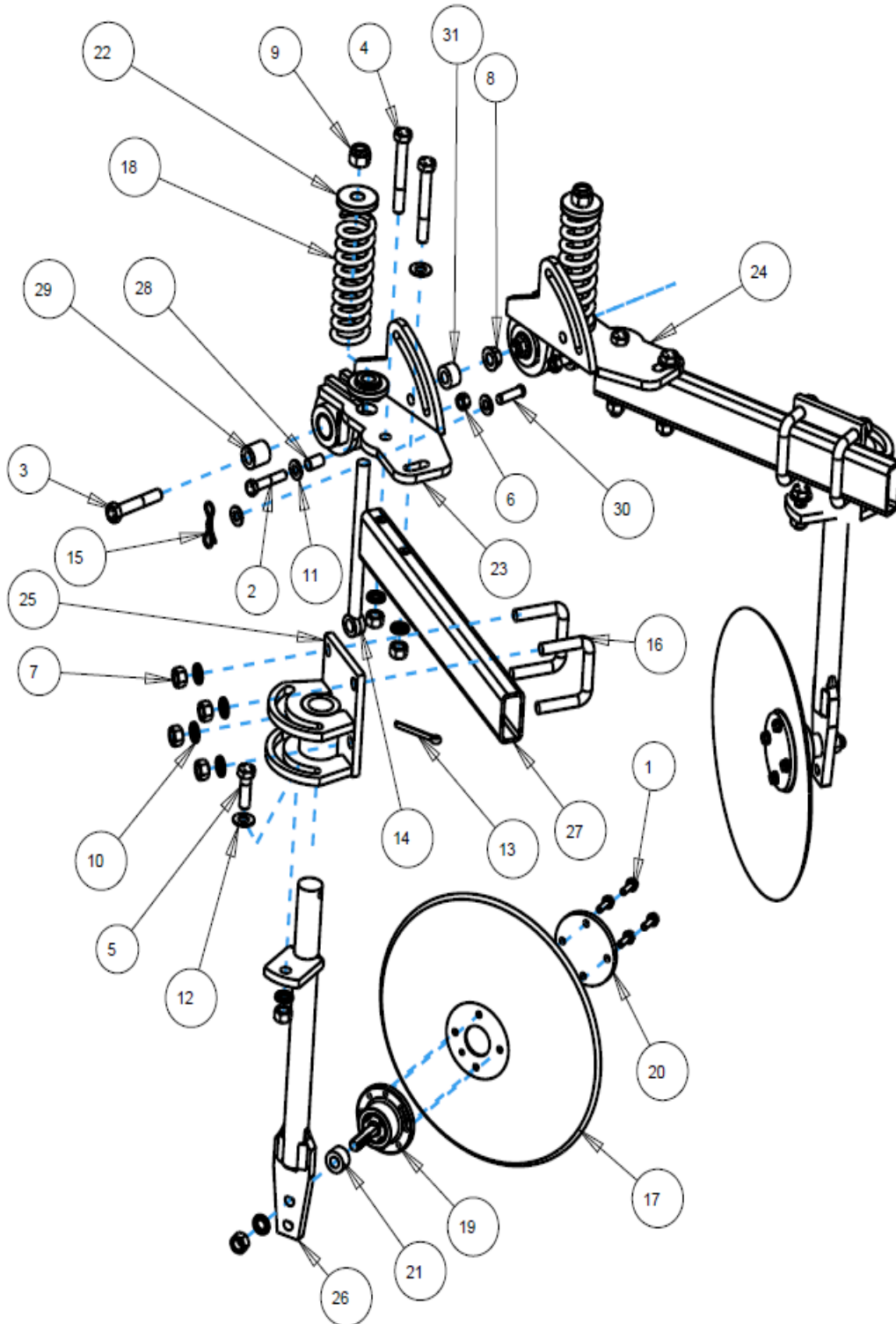
PARTS IDENTIFICATION

2984-030A-N

ITEM	PART NO.	DESCRIPTION	QTY
1	2502-221	5/16-18 X 1 HHFS GR5 ZP	8
2	2502-296	1/2-13 X 2-1/2 HHCS GR5 ZP	2
3	2502-326	5/8-11 X 3-1/2" HHCS GR8 ZP	2
4	2502-334	5/8-11 X 4-1/2 HHCS GR5 ZP	4
5	2502-391	5/8-11 X 2 HHCS GR 5 ZP	2
6	2520-357	1/2-13 LOCK HEX NUT, GR A, ZP	2
7	2520-452	5/8-11 HEX NUT GR 8 ZP	16
8	2520-464	5/8-11 WHIZLOCK HEX NUT, GR 2, ZP	2
9	2520-516	3/4-10 NYLON INSERT LCKNT, GR 2, ZP	2
10	2525-451	5/8 MED. LOCKWASHER ZP.	16
11	2526-352	1/2 SAE FLATWASHER ZP	4
12	2526-453	5/8 SAE FLATWASHER ZP	4
13	2531-161	COTTER PINS	2
14	2570-126	3/4 X 10 EYEBOLT, ZP	2
15	2570-448	.120 BOWTIE LOCKING COTTER ZP	1
16	2570-563	U-BOLT, 5/8-11 X 3 X 3 ZP.	4
17	2571-187	16" NOTCHED SEALER BLADE	2
18	2920-350	COMP SPRING, .393 WIRE, 1 5/8 ID	2
19	2965-501	HUB ASSEMBLY, 2.406 SPINDLE	2
20	2965-503	HUB CAP	2
21	2967-302	SPACER, 3/4" PLATED	2
22	2975-302	2975 SPRING BUSHING "PAINTED"	4
23	2984-126-L	LH SEALER PIVOT ASSEMBLY	1
24	2984-126-R	RH SEALER PIVOT ASSEMBLY	1
25	2984-216	DISC MOUNT W.A.	2
26	2984-223	DISC SHANK W.A.	2
27	2984-378	SWING ARM	2
28	2984-394	BUSHING, PIVOT	2
29	2984-397	SEALER INNER PIVOT BUSHING	2
30	2984-399	CLEVIS PIN ZP	1
31	2984-424	SEALER INNER PIVOT BUSHING, SHORT	2

PARTS IDENTIFICATION

2984-030A-S



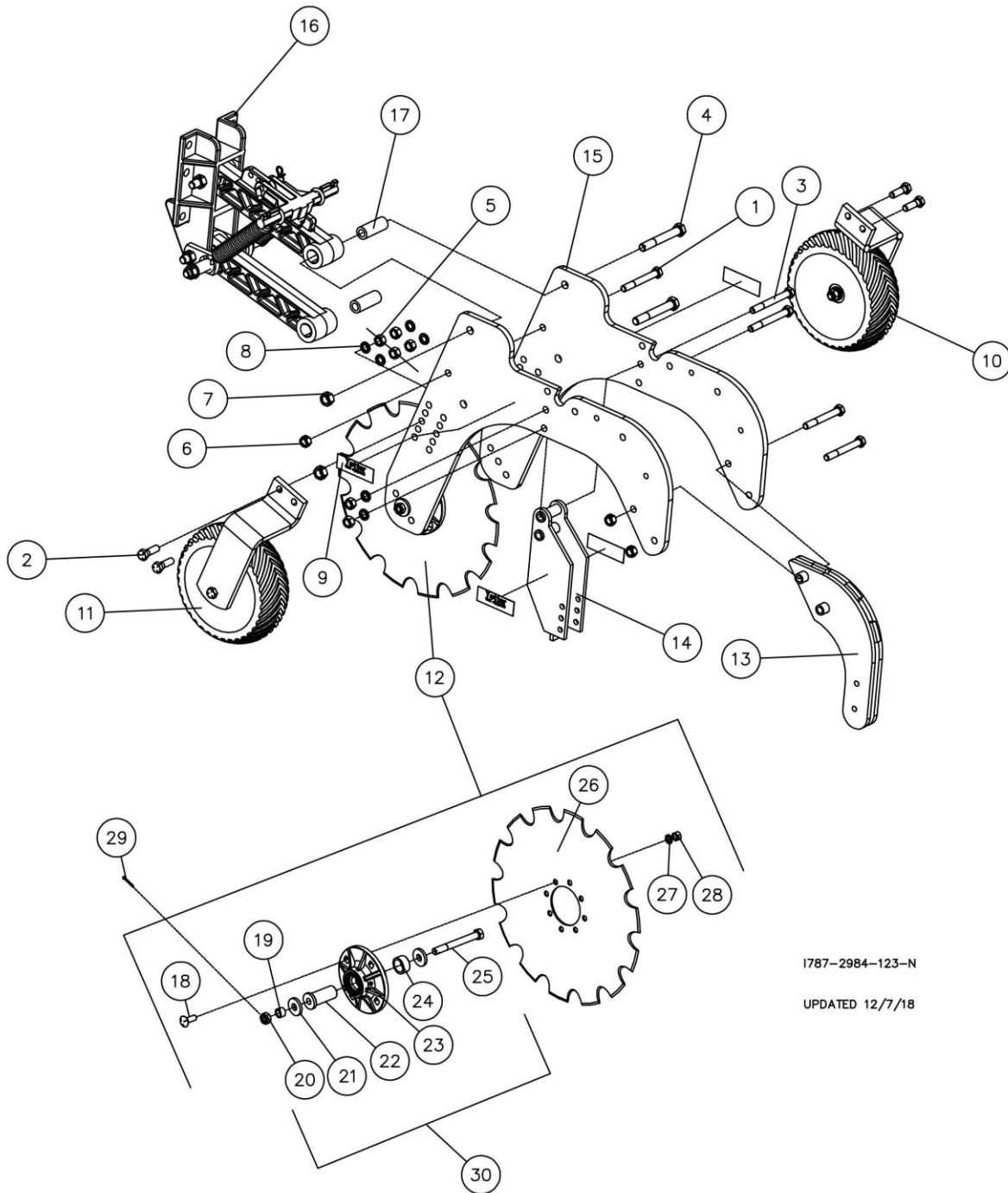
PARTS IDENTIFICATION

2984-030A-S

ITEM	PART NO.	DESCRIPTION	QTY
1	2502-221	5/16-18 X 1 HHFS GR5 ZP	8
2	2502-296	1/2-13 X 2-1/2 HHCS GR5 ZP	2
3	2502-326	5/8-11 X 3-1/2" HHCS GR8 ZP	2
4	2502-334	5/8-11 X 4-1/2 HHCS GR5 ZP	4
5	2502-391	5/8-11 X 2 HHCS GR 5 ZP	2
6	2520-357	1/2-13 LOCK HEX NUT, GR A, ZP	2
7	2520-452	5/8-11 HEX NUT GR 8 ZP	16
8	2520-464	5/8-11 WHIZLOCK HEX NUT, GR 2, ZP	2
9	2520-516	3/4-10 NYLON INSERT LCKNT, GR 2, ZP	2
10	2525-451	5/8 MED. LOCKWASHER ZP.	16
11	2526-352	1/2 SAE FLATWASHER ZP	4
12	2526-453	5/8 SAE FLATWASHER ZP	4
13	2531-161	COTTER PINS	2
14	2570-126	3/4 X 10 EYEBOLT, ZP	2
15	2570-448	.120 BOWTIE LOCKING COTTER ZP	1
16	2570-563	U-BOLT, 5/8-11 X 3 X 3 ZP.	4
17	2571-173	DISC, .138 GA X 16", 4 BOLT	2
18	2920-350	COMP SPRING, .393 WIRE, 1 5/8 ID	2
19	2965-501	HUB ASSEMBLY, 2.406 SPINDLE	2
20	2965-503	HUB CAP	2
21	2967-302	SPACER, 3/4" PLATED	2
22	2975-302	2975 SPRING BUSHING "PAINTED"	4
23	2984-126-L	LH SEALER PIVOT ASSEMBLY	1
24	2984-126-R	RH SEALER PIVOT ASSEMBLY	1
25	2984-216	DISC MOUNT W.A.	2
26	2984-223	DISC SHANK W.A.	2
27	2984-378	SWING ARM	2
28	2984-394	BUSHING, PIVOT	2
29	2984-397	SEALER INNER PIVOT BUSHING	2
30	2984-399	CLEVIS PIN ZP	1
31	2984-424	SEALER INNER PIVOT BUSHING, SHORT	2

PARTS IDENTIFICATION

2984-123-N (SHOWN)
2984-123-S



1787-2984-123-N

UPDATED 12/7/18

MANUFACTURED 01/2011 – 07/2017

PARTS IDENTIFICATION

2984-123-N
2984-123-S

STRIP TILL ASSEMBLY, NOTCHED BLADE (SHOWN)

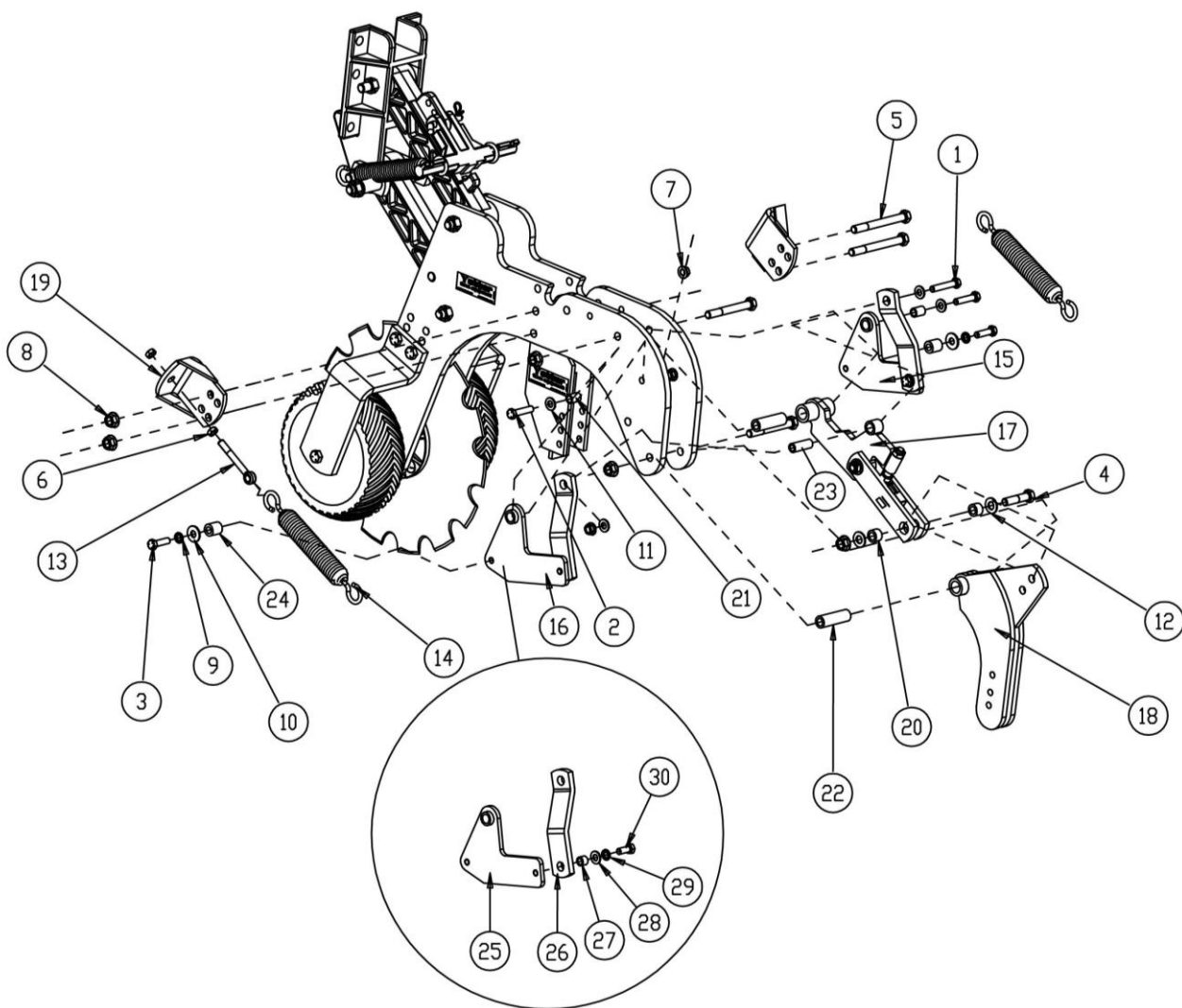
DET	QTY	PART NO.	DESCRIPTION
1	3	2502-327	5/8-11 X 5 HHCS GR.5 ZP
2	4	2502-391	5/8-11 X 2 HHCS GR 5 ZP
3	2	2502-397	5/8-11 X 5 1/2 HHCS GR5 YD
4	2	2502-508	3/4-10 X 5-1/2 HHCS GR5ZYD
5	6	2520-452	5/8-11 HEXNUT ZP
6	3	2520-459	5/8-11 LOCK HEX NUT ZP
7	2	2520-515	3/4-10 LOCK HEX NUT ZP
8	6	2525-451	5/8 MED. LOCKWASHER ZP.
9	4	2565-162	YETTER DECAL, 1-1/2 X 4-1/2
10	1	2984-136	RH GAUGE WHEEL ASSEMBLY
11	1	2984-137	LH GAUGE WHEEL ASSEMBLY
12	1	2984-140	20" NOTCHED BLADE & HUB ASS'Y
13	1	2984-218	KNIFE MOUNT W.A.
14	1	2984-219	RESIDUE MANAGER MOUNT W.A.
15	2	2984-367	STRIP TILL ARM
16	1	3000-149	PARALLEL ARM ASSEMBLY '09
17	2	3000-408	INNER BUSHING,MAV LINKAGE ZYD.
18	4	2505-339	1/2-13 X 1-1/2 CARBLT G5ZP
19	1	6000-335	9/16" BUSHING
20	1	2520-469	5/8-18 SHN GR2
21	2	2526-449	5/8FLATWASHER1/4+- .010 THK
22	1	2960-393	HUB INSERT
23	1	2984-107	HUB SUB ASSEMBLY, MAVERICK
24	1	2960-394	SEAL SPACER
25	1	3000-410	5/8-18 X 5-1/2 SPINDLE BLT ZYD
26	1	2571-198	.157X20"MULTI HOLE NOTCH BLADE
	1	2571-178	.25X20 STRAIGHT BLADE W/SQHOLE
27	4	2525-352	1/2 MED LOCKWASHER ZP.
28	4	2520-352	1/2-13 HEX NUT ZP
29	1	2531-108	5/32 X 1-1/4 COTTER PIN BLACK
30	1	3000-150	HUB ASSEMBLY

MANUFACTURED 01/2011 – 07/2017

PARTS IDENTIFICATION

2984-123-N-RT

STRIP TILL ASSY, NOTCHED BLADE, ROCK TRIP



MANUFACTURED 01/2011 – 07/2017

PARTS IDENTIFICATION

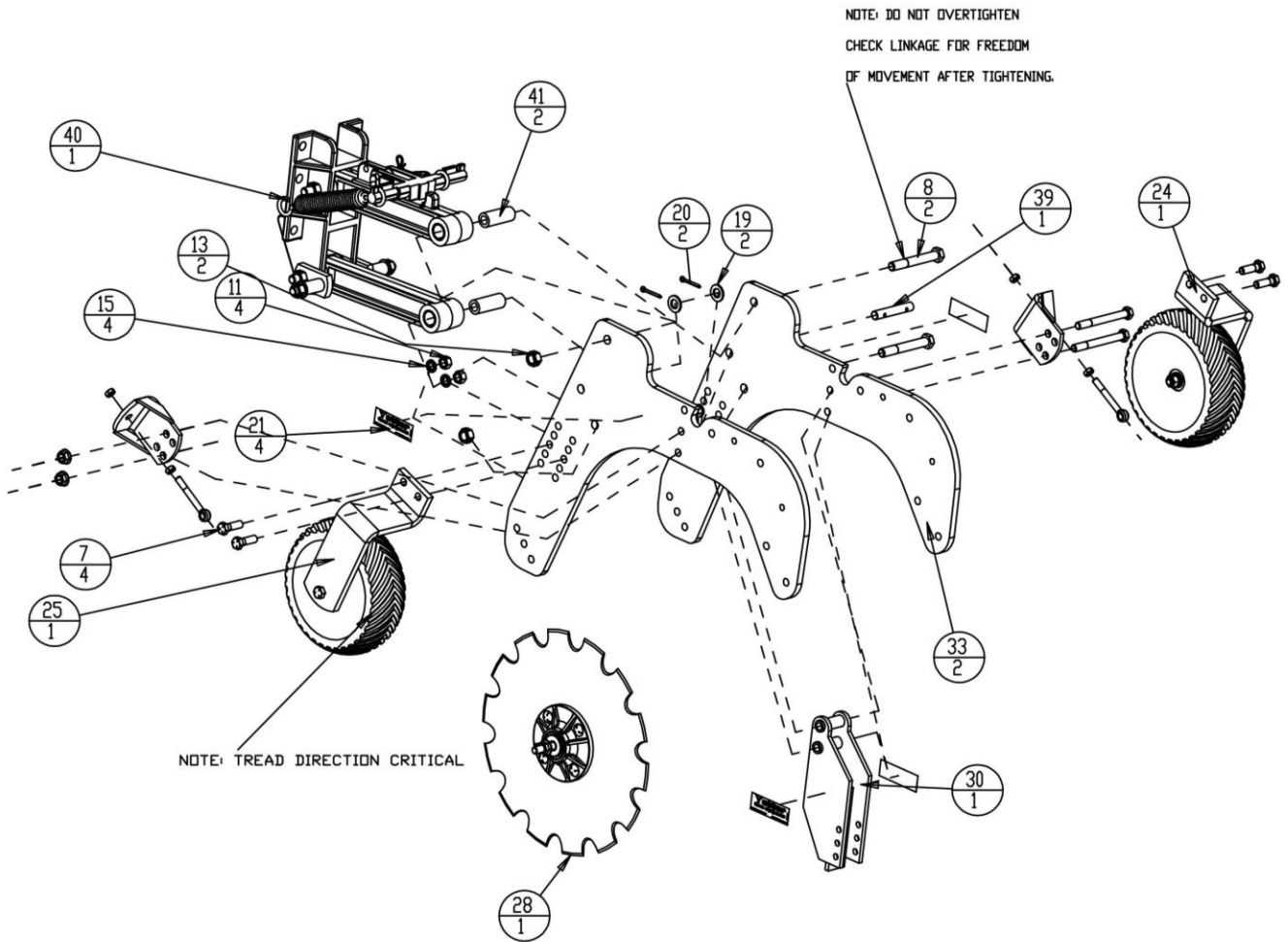
2984-123-N-RT

ITEM	PART NO.	DESCRIPTION	QTY
1	2502-295	1/2-13 X 2-3/4 HHCS GR5 ZP	1
2	2502-314	1/2-13 X 2-1/4" GRADE 5 HHCS ZYD	2
3	2502-317	1/2-13 X 1-3/4 HHCS GR5 ZP	2
4	2502-323	5/8-11 X 2-3/4 HHCS GR 5 ZP	1
5	2502-335	5/8-11 X 6 HHCS GR. 5 ZP	2
6	2520-356	1/2-13 JAM HEX NUT ZP	4
7	2520-361	1/2-13FLANGE WHZLCK HXNT, GR 5, ZP	3
8	2520-464	5/8-11 WHIZLOCK HEX NUT, GR 2, ZP	5
9	2525-352	1/2 MED LOCKWASHER ZP.	2
10	2526-351	1/2 STANDARD FLATWASHER ZP	2
11	2526-352	1/2 SAE FLATWASHER ZP	4
12	2526-453	5/8 SAE FLATWASHER	2
13	2570-447	EYEBOLT, 1/2-13 X 4-1/4	2
14	2960-373	EXT SPRING 1 5/8OD X .262 BLK	2
15	2984-138	SPRING ARM SUB-ASS'Y, RH	1
16	2984-139	SPRING ARM SUB-ASS'Y, LH	1
17	2984-141	TRIP BODY SUB-ASS'Y	1
18	2984-224	KNIFE TRIP MOUNT W.A.	1
19	2984-228	SPRING ANCHOR W.A.	2
20	2984-401	REAR PIVOT BUSHING,FLT LNK,ZYD	2
21	2984-413	SPRING ARM PIVOT BUSHING, ZYD	2
22	2984-415	KNIFE ARM PVT SLEEVE, ZYD	2
23	2984-418	LONG PVT BUSHING, OFFSET, ZYD	1
24	2984-419	SPRING ANCHOR BUSHING, ZYD	2
25	2984-226	SPRING ARM W.A., L.H. (SHOWN)	1
	2984-227	SPRING ARM W.A., R.H.	1
26	2984-406	OFFSET LINK	1
27	2984-414	SHORT PIVOT BUSHING,OFFSET,ZYD	1
28	2526-352	1/2 SAE FLATWASHER, ZP	1
29	2525-352	1/2 MED LOCKWASHER, ZP	1
30	2502-293	1/2-13 X 1-1/4 HHCS GR 5 ZP	1

MANUFACTURED 01/2011 – 07/2017

PARTS IDENTIFICATION

2984-123-N-RT ASSEMBLY 1



MANUFACTURED 08/2017 – PRESENT

PARTS IDENTIFICATION

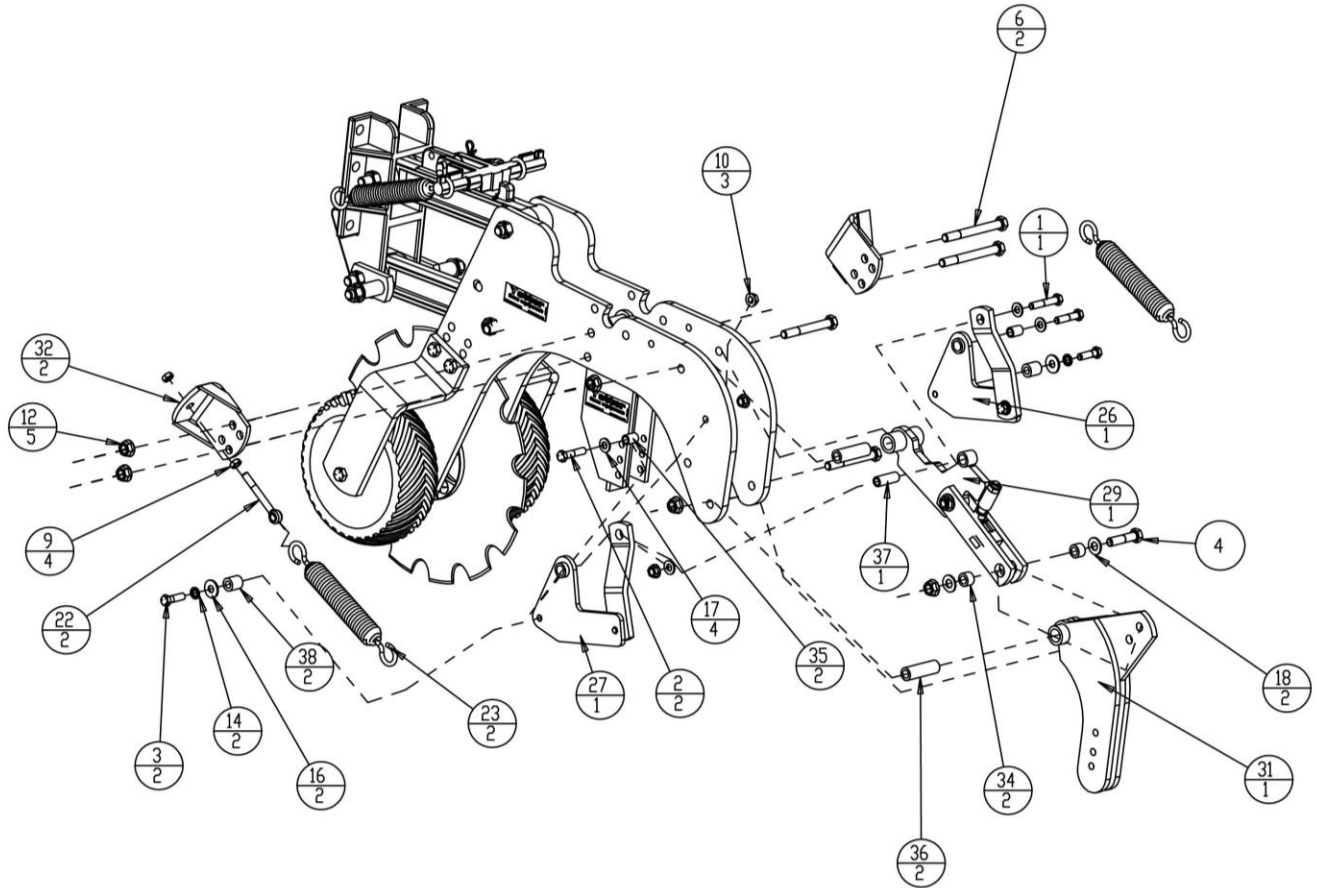
2984-123-N-RT ASSEMBLY 1

ITEM	PART NO.	DESCRIPTION	QTY
1	2502-295	1/2-13 X 2-3/4 HHCS GR5 ZP	1
2	2502-314	1/2-13 X 2-1/4" GRADE 5 HHCS ZP	2
3	2502-317	1/2-13 X 1-3/4 HHCS GR5 ZP	2
4	2502-323	5/8-11 X 2-3/4 HHCS GR 5 ZP	1
5	2502-327	5/8-11 X 5 HHCS GR.5 ZP	2
6	2502-335	5/8-11 X 6 HHCS GR. 5 ZP	2
7	2502-391	5/8-11 X 2 HHCS GR 5 ZP	4
8	2502-508	3/4-10 X 5-1/2 HHCS GR5ZYD	2
9	2520-356	1/2-13 JAM HEX NUT ZP	4
10	2520-361	1/2-13FLANGE WHZLCK HXNT, GR 5, ZP	3
11	2520-452	5/8-11 HEXNUT ZP	4
12	2520-464	5/8-11 WHIZLOCK HEX NUT, GR 2, ZP	5
13	2520-515	3/4-10 LOCK HEX NUT, GR A, ZP	2
14	2525-352	1/2 MED LOCKWASHER ZP.	2
15	2525-451	5/8 MED. LOCKWASHER ZP.	4
16	2526-351	1/2 STANDARD FLATWASHER ZP	2
17	2526-352	1/2 SAE FLATWASHER ZP	4
18	2526-453	5/8 SAE FLATWASHER ZP	2
19	2526-504	3/4 SAE FLATWASHER, ZP	2
20	2531-125	1/4 X 1-3/4 COTTER PIN ZP	2
21	2565-162	YETTER DECAL, 1-1/2 X 4-1/2	4
22	2570-447	EYEBOLT, 1/2-13 X 4-1/4, ZP	2
23	2960-373	EXT SPRING 1 5/8ODD X .262 BLK	2
24	2984-136	RH GAUGE WHEEL ASSEMBLY	1
25	2984-137	LH GAUGE WHEEL ASSEMBLY	1
26	2984-138	Spring Arm Sub-Ass'y, RH	1
27	2984-139	SPRING ARM SUB-ASS'Y, LH	1
28	2984-140	20" NOTCHED BLADE & HUB ASS'Y	1
29	2984-141	TRIP BODY SUB-ASS'Y	1
30	2984-219	RESIDUE MANAGER MOUNT W.A.	1
31	2984-224	KNIFE TRIP MOUNT W.A.	1
32	2984-228	SPRING ANCHOR W.A.	2
33	2984-367	STRIP TILL ARM	2
34	2984-401	REAR PIVOT BUSHING,FLT LNK,ZYD	2
35	2984-413	SPRING ARM PIVOT BUSHING, ZYD	2
36	2984-415	KNIFE ARM PVT SLEEVE, ZYD	2
37	2984-418	LONG PVT BUSHING, OFFSET, ZYD	1
38	2984-419	SPRING ANCHOR BUSHING, ZYD	2
39	2984-454	DOWNSTOP PIN, ZP	1
40	3000-149	PARALLEL ARM ASSEMBLY '09	1
41	3000-408	INNER BUSHING,MAV LINKAGE ZYD.	2

MANUFACTURED 08/2017 – PRESENT

PARTS IDENTIFICATION

2984-123-N-RT ASSEMBLY 2



MANUFACTURED 08/2017 – PRESENT

PARTS IDENTIFICATION

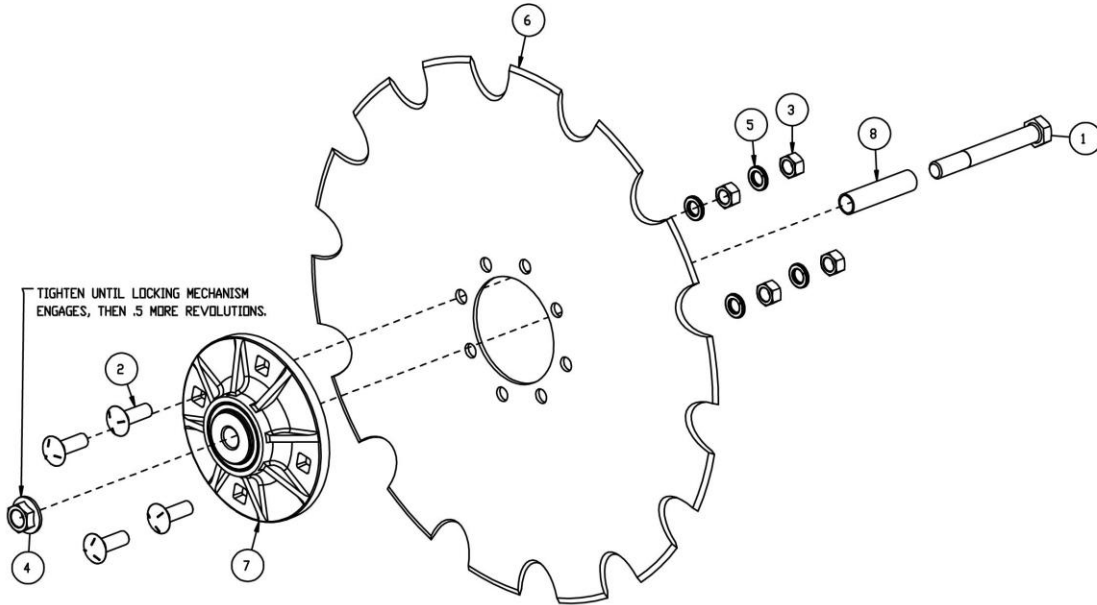
2984-123-N-RT ASSEMBLY 2

ITEM	PART NO.	DESCRIPTION	QTY
1	2502-295	1/2-13 X 2-3/4 HHCS GR5 ZP	1
2	2502-314	1/2-13 X 2-1/4" GRADE 5 HHCS ZP	2
3	2502-317	1/2-13 X 1-3/4 HHCS GR5 ZP	2
4	2502-323	5/8-11 X 2-3/4 HHCS GR 5 ZP	1
5	2502-327	5/8-11 X 5 HHCS GR.5 ZP	2
6	2502-335	5/8-11 X 6 HHCS GR. 5 ZP	2
7	2502-391	5/8-11 X 2 HHCS GR 5 ZP	4
8	2502-508	3/4-10 X 5-1/2 HHCS GR5ZYD	2
9	2520-356	1/2-13 JAM HEX NUT ZP	4
10	2520-361	1/2-13FLANGE WHZLCK HXNT, GR 5, ZP	3
11	2520-452	5/8-11 HEXNUT ZP	4
12	2520-464	5/8-11 WHIZLOCK HEX NUT, GR 2, ZP	5
13	2520-515	3/4-10 LOCK HEX NUT, GR A, ZP	2
14	2525-352	1/2 MED LOCKWASHER ZP.	2
15	2525-451	5/8 MED. LOCKWASHER ZP.	4
16	2526-351	1/2 STANDARD FLATWASHER ZP	2
17	2526-352	1/2 SAE FLATWASHER ZP	4
18	2526-453	5/8 SAE FLATWASHER	2
19	2526-504	3/4 SAE FLATWASHER, ZP	2
20	2531-125	1/4 X 1-3/4 COTTER PIN ZP	2
21	2565-162	YETTER DECAL, 1-1/2 X 4-1/2	4
22	2570-447	EYEBOLT, 1/2-13 X 4-1/4, ZP	2
23	2960-373	EXT SPRING 1 5/8ODD X .262 BLK	2
24	2984-136	RH GAUGE WHEEL ASSEMBLY	1
25	2984-137	LH GAUGE WHEEL ASSEMBLY	1
26	2984-138	Spring Arm Sub-Ass'y, RH	1
27	2984-139	SPRING ARM SUB-ASS'Y, LH	1
28	2984-140	20" NOTCHED BLADE & HUB ASS'Y	1
29	2984-141	TRIP BODY SUB-ASS'Y	1
30	2984-219	RESIDUE MANAGER MOUNT W.A.	1
31	2984-224	KNIFE TRIP MOUNT W.A.	1
32	2984-228	SPRING ANCHOR W.A.	2
33	2984-367	STRIP TILL ARM	2
34	2984-401	REAR PIVOT BUSHING,FLT LNK,ZYD	2
35	2984-413	SPRING ARM PIVOT BUSHING, ZYD	2
36	2984-415	KNIFE ARM PVT SLEEVE, ZYD	2
37	2984-418	LONG PVT BUSHING, OFFSET, ZYD	1
38	2984-419	SPRING ANCHOR BUSHING, ZYD	2
39	2984-454	DOWNSTOP PIN, ZP	1
40	3000-149	PARALLEL ARM ASSEMBLY '09	1
41	3000-408	INNER BUSHING,MAV LINKAGE ZYD.	2

MANUFACTURED 08/2017 – PRESENT

PARTS IDENTIFICATION

2984-140

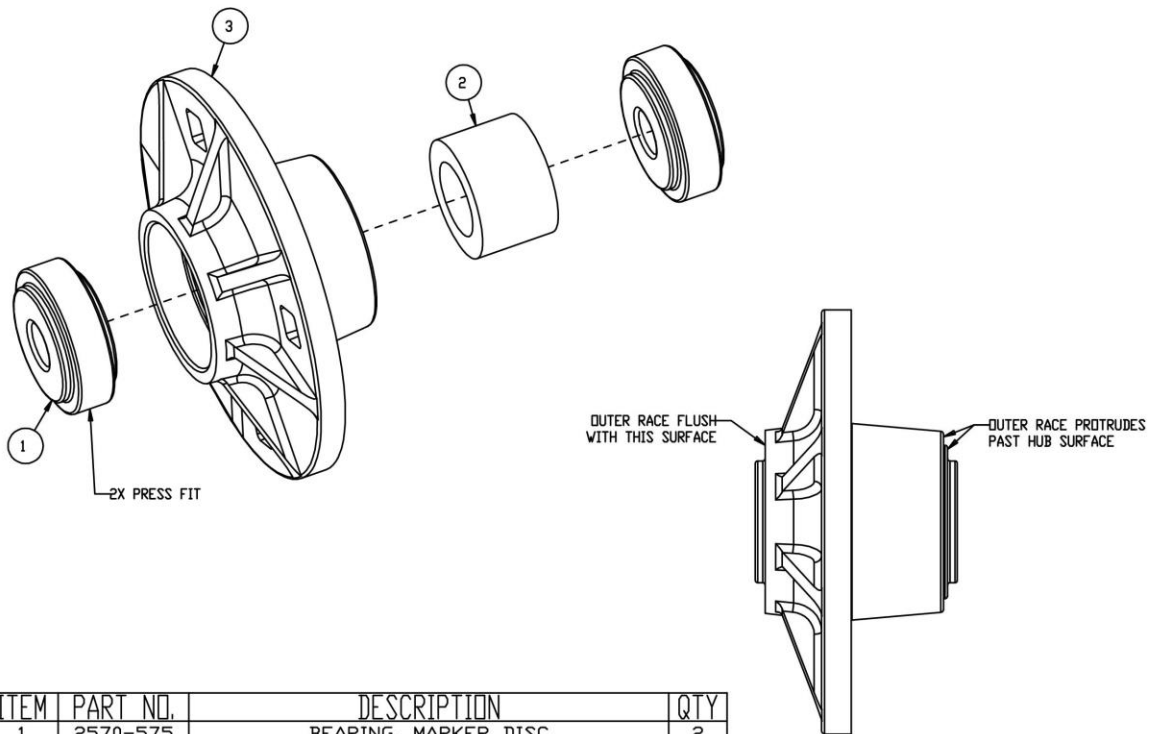


ITEM	PART NO.	DESCRIPTION	QTY
1	2502-384	5/8-11 X 5 HHCS GR8 ZP	1
2	2505-339	1/2-13 X 1-1/2 CARBLT G5ZP	4
3	2520-352	1/2-13 HEX NUT ZP	4
4	2520-476	5/8-11 HEX FLANGE NUT, PREVAILING-TORQUE, GR C, ZP	1
5	2525-352	1/2 MED LOCKWASHER ZP.	4
6	2571-198	.157X20*MULTI HOLE NOTCH BLADE	1
7	2984-152	HUB ASSEMBLY	1
8	2984-455	BEARING BORE ADAPTER	1

MANUFACTURED 08/2017 – PRESENT

PARTS IDENTIFICATION

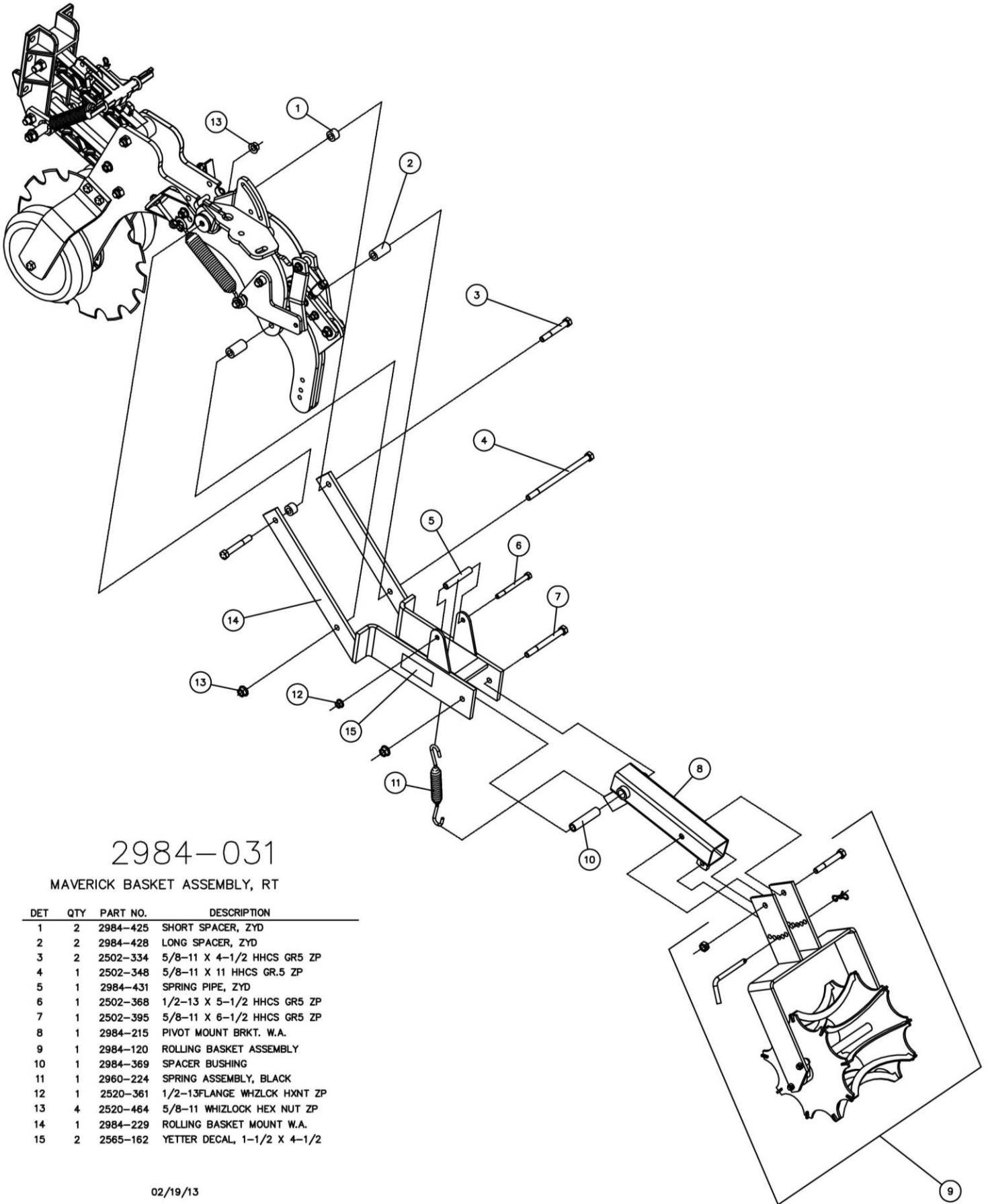
2984-152



ITEM	PART NO.	DESCRIPTION	QTY
1	2570-575	BEARING, MARKER DISC	2
2	2984-456	BEARING SPACER	1
3	2984-457	STRIP FRESHENER HUB, MACHINED	1

MANUFACTURED 08/2017 – PRESENT

PARTS IDENTIFICATION



2984-031

MAVERICK BASKET ASSEMBLY, RT

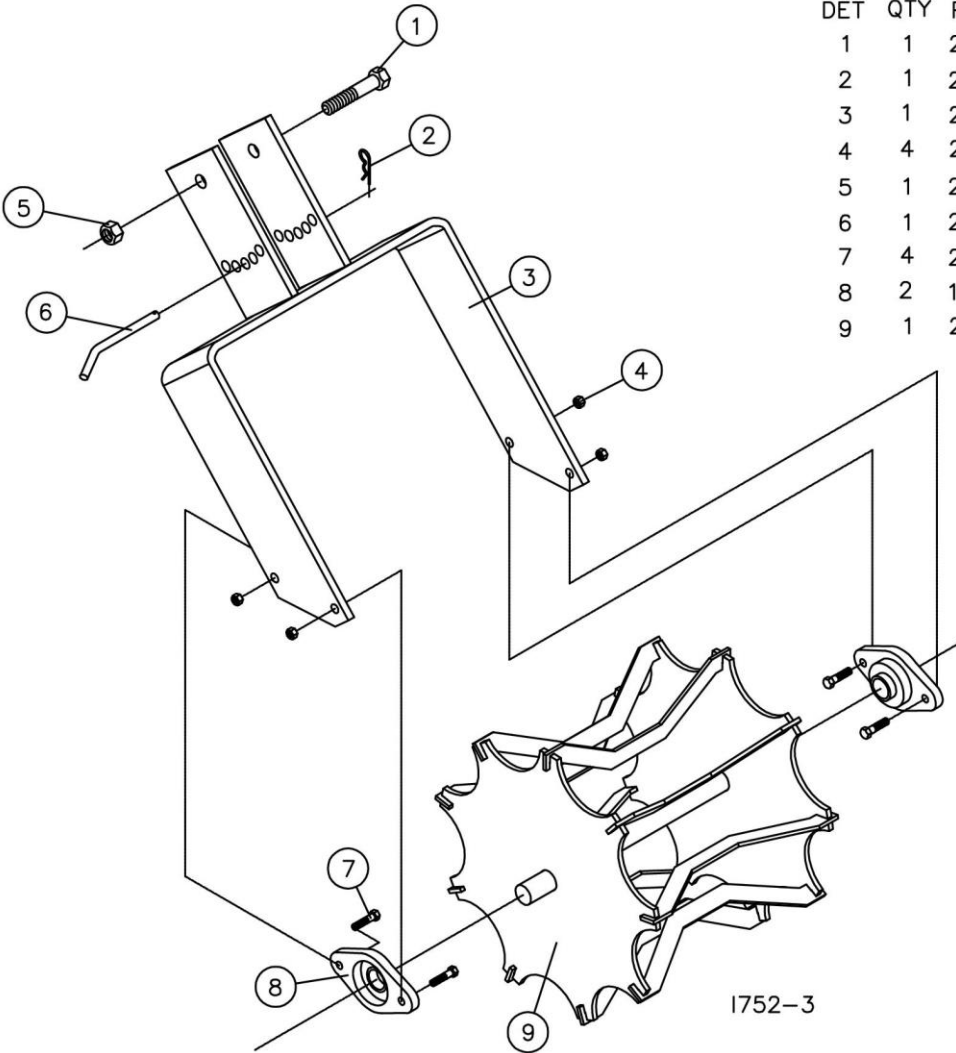
DET	QTY	PART NO.	DESCRIPTION
1	2	2984-425	SHORT SPACER, ZYD
2	2	2984-428	LONG SPACER, ZYD
3	2	2502-334	5/8-11 X 4-1/2 HHCS GR5 ZP
4	1	2502-348	5/8-11 X 11 HHCS GR.5 ZP
5	1	2984-431	SPRING PIPE, ZYD
6	1	2502-368	1/2-13 X 5-1/2 HHCS GR5 ZP
7	1	2502-395	5/8-11 X 6-1/2 HHCS GR5 ZP
8	1	2984-215	PIVOT MOUNT BRKT. W.A.
9	1	2984-120	ROLLING BASKET ASSEMBLY
10	1	2984-369	SPACER BUSHING
11	1	2960-224	SPRING ASSEMBLY, BLACK
12	1	2520-361	1/2-13FLANGE WHZLCK HXNT ZP
13	4	2520-464	5/8-11 WHIZLOCK HEX NUT ZP
14	1	2984-229	ROLLING BASKET MOUNT W.A.
15	2	2565-162	YETTER DECAL, 1-1/2 X 4-1/2

02/19/13

PARTS IDENTIFICATION

2984-120 ROLLING BASKET ASSEMBLY

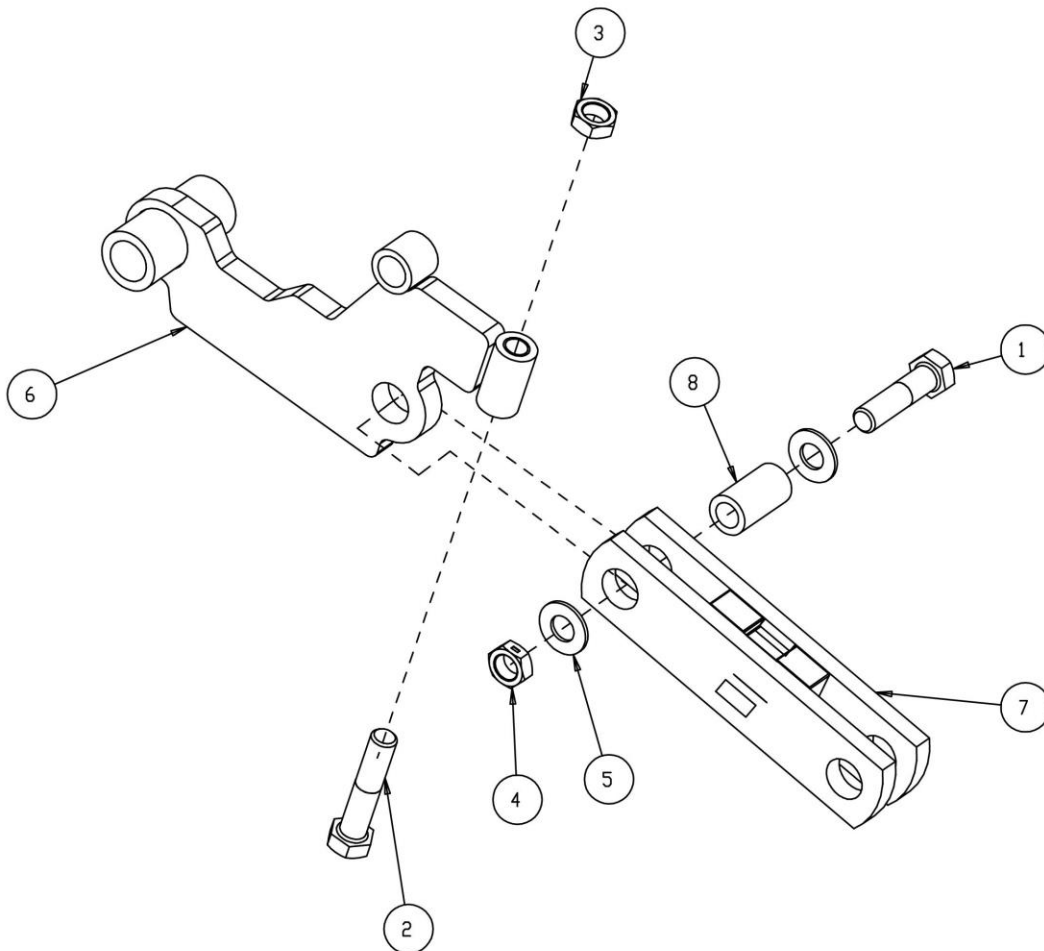
DET	QTY	PART NO.	DESCRIPTION
1	1	2502-334	5/8-11 X 4-1/2 HHCS GR5
2	1	2570-448	1/8 STD HAIRPIN COTTER
3	1	2984-212	R.B. MOUNT, W.A.
4	4	2520-267	7/16-14 LOCK HEX NUT ZP
5	1	2520-459	5/8-11 LOCK HEX NUT ZP
6	1	2984-320	PIN, SKID ADJUSTMENT
7	4	2502-266	7/16-14 X 1-1/2 HHCS GR5
8	2	1310-333	FLANGE MOUNT BEARING
9	1	2984-213	ROLLING BASKET, W.A.



PARTS IDENTIFICATION

2984-141

ITEM	PART NO.	DESCRIPTION	QTY
1	2502-393	5/8-11 X 2 1/2 HHCS GR 5 ZP	1
2	2502-399	5/8-11 X 3 FL THD HHCS G5 ZYD	1
3	2520-453	5/8-11 JAM HEX NUT ZP	1
4	2520-467	5/8-11 HEX LOCKNUT JAM ZP	1
5	2526-453	5/8 SAE FLATWASHER ZP	2
6	2984-225	TRIP BODY W.A.	1
7	2984-239	FLAT LINK W.A.	1
8	2984-411	FRONT PVT BUSHING, FLT LNK, ZYD	1

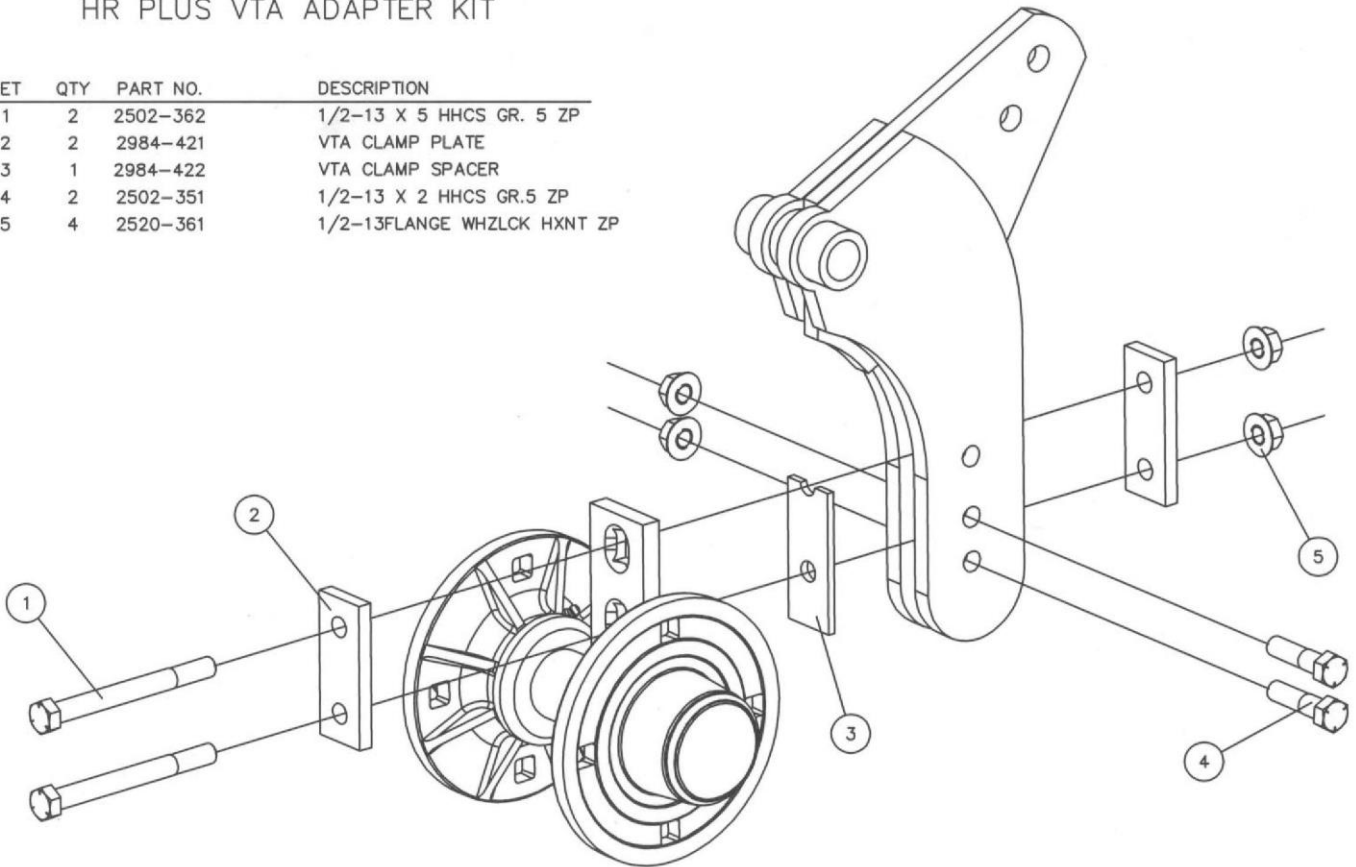


PARTS IDENTIFICATION

2984-134

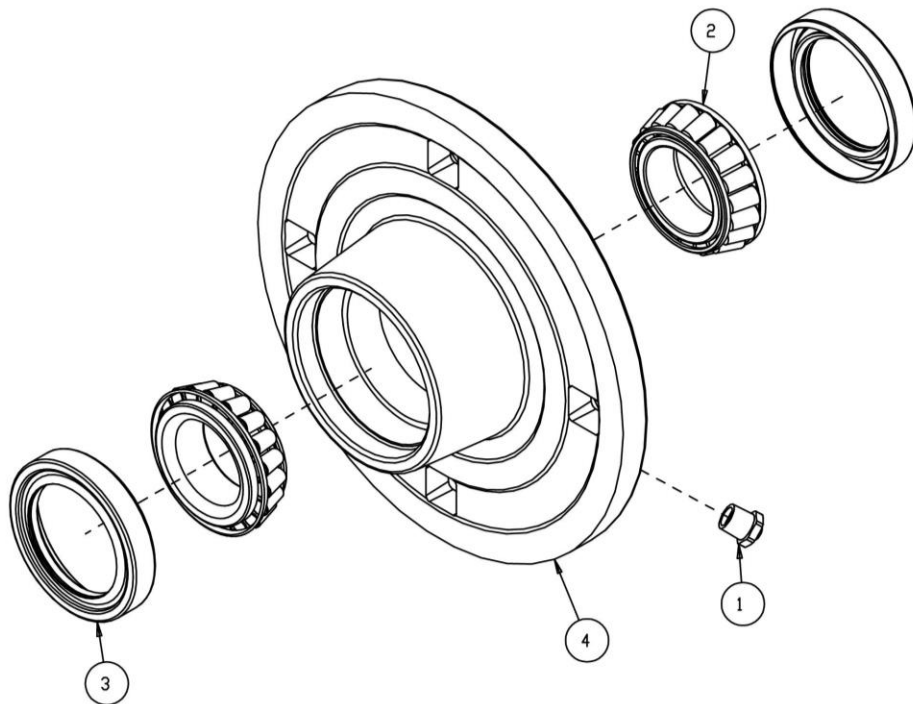
HR PLUS VTA ADAPTER KIT

DET	QTY	PART NO.	DESCRIPTION
1	2	2502-362	1/2-13 X 5 HHCS GR. 5 ZP
2	2	2984-421	VTA CLAMP PLATE
3	1	2984-422	VTA CLAMP SPACER
4	2	2502-351	1/2-13 X 2 HHCS GR.5 ZP
5	4	2520-361	1/2-13FLANGE WHZLCK HXNT ZP



PARTS IDENTIFICATION 2984-107

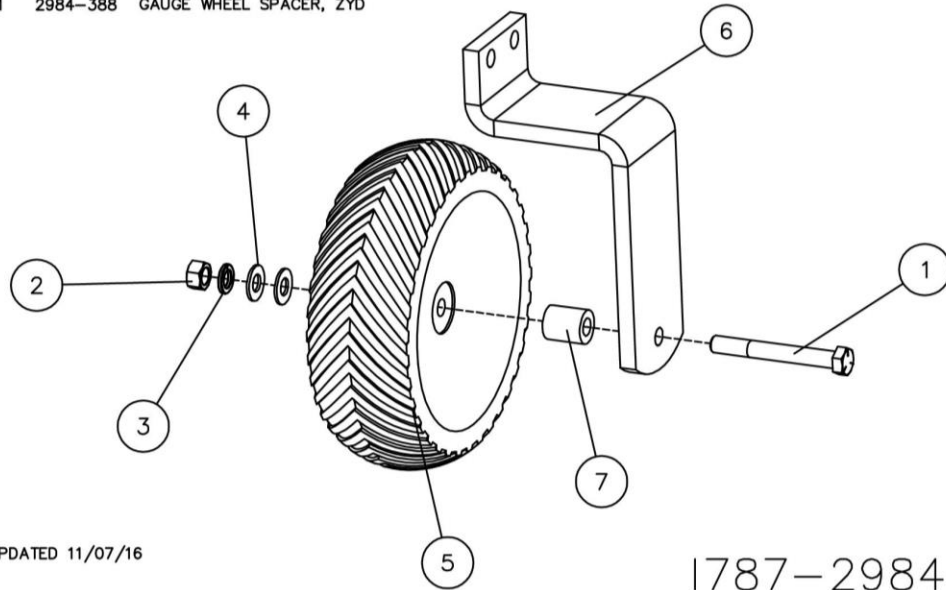
ITEM	PART NO.	DESCRIPTION	QTY
1	2533-120	PRESSURE RELIEF FITTING, 45-80PSI	1
2	2550-027	CONE, LM67048, KOYO	2
3	2550-066	TRIPLE LIP SEAL, NTI #1812-4	2
4	2900-105-NP	HUB PRESSED ASSEMBLY	1
	2533-110	1/4-28 ZERK STRAIGHT SELF-TAP	1
	2550-029	CUP, LM67010	2



PARTS IDENTIFICATION

2984-136 RH GAUGE WHEEL ASSEMBLY (SHOWN)
2984-137 LH GAUGE WHEEL ASSEMBLY

DET	QTY	PART NO.	DESCRIPTION
1	1	2502-327	5/8-11 X 5 HHCS GR.5 ZP
2	1	2520-452	5/8-11 HEXNUT ZP
3	1	2525-451	5/8 MED LOCKWASHER ZP
4	2	2526-453	5/8 SAE FLATWASHER ZP
5	1	2570-147	4 X 12 CHEVRON WHEEL ASSEMBLY
	1	2570-069	BEARING, MARKER DISK, 40MM
6	1	2984-368	GAUGE WHEEL ARM
7	1	2984-388	GAUGE WHEEL SPACER, ZYD



UPDATED 11/07/16

1787-2984-136

NOTES:

NOTES:

TROUBLESHOOTING

PROBLEM	CAUSE	SOLUTION
Poor overall performance	Toolbar not adjusted correctly	Adjust the toolbar so that during operation it is level and at a height of 24" from the bottom of the toolbar to the soil surface.
	Unit is not set correctly	See Operations section for proper adjustments
Toolbar height too high	Too much down pressure spring tension	Remove two outer springs & set in light pressure setting
	Toolbar gauge wheels adjusted too low	Raise gauge wheels
Shallow knife penetration	Speed too slow	Operate at 5 mph minimum
	Toolbar height too high	Must have toolbar operating at 24" above the soil surface
	Insufficient down pressure	Set down pressure spring adjustment to the rear hole Inspect springs for breakage and/or wear Adjust toolbar height lower. Normally 24"
Disc Sealer not creating a mound or too small of a mound	Speed too slow	Operate at 5mph minimum
	Blades are not set aggressively enough	Increase the angle of the front edge of blade to the row.
	Down pressure spring is loose	Tighten the coil spring by compressing; tighten the 3/4" hex nut onto the pushrod.
	Toolbar is not level-probably nose down	Level toolbar at a height of 24" from soil surface.

TROUBLESHOOTING

PROBLEM

Berm size or shape
Is not uniform

POSSIBLE CAUSE

Disc sealer blades not at
equal angle

Insufficient spring pressure
On rolling basket attachment

SOLUTION

Adjust blades to
exact same angle

Change spring
to increase
Down pressure
(See adjustments)

Large clods or chunks

Insufficient spring pressure
On rolling basket attachment

Coulter cutting blade running
Too deep

Fertilizer knife too deep

Change spring
to increase
Down pressure
(see adjustments)

Operate coulter
cutting blade just
Deep enough to
Slice crop residue

Operate knives
shallower

Residue or mud plugging

Disc sealer blades have
Too much angle

Conditions too wet

Decrease disc
sealer angle

Lock up rolling
Basket attachment



A Tradition of Solutions since 1930

Yetter Farm Equipment Co

PO BOX 358 109 S. McDonough

Colchester, IL 62326-0358

Phone: 309-776-4111

Toll Free: 800-447-5777

Email: info@yetterco.com

For updated models and manuals visit the Yetter website:

www.yetterco.com

© Yetter Farm Equipment Co. All Rights Reserved

2565-762_REV_N • 07/2021