



ROW UNIT MID-MOUNT FERTILIZER INJECTION OPENER
John Deere, Kinze, Harvest International, & White Row Units
SINGLE WHEEL MODELS

2968-020B, 2968-021B, 2968-022B, 2968-025B, 2968-026A, & 2968-027A

DUAL WHEEL MODELS

2968-040A, 2968-041A, 2968-042A, 2968-043A, 2968-044A, & 2968-045A

SET UP & PARTS MANUAL

2565-951_REV_I – 06/2026



YETTER MANUFACTURING CO.

FOUNDED 1930

Colchester, IL 62326-0358

Toll free: 800/447-5777

309/776-3222 (Fax)

Website: www.yetterco.com

E-mail: info@yetterco.com

GERMINATE UNIFORMITY™



FOREWORD


You've just joined an exclusive but rapidly growing club.


For our part, we want to welcome you to the group and thank you for buying a Yetter product.


We hope your new Yetter products will help you achieve both goals-increase your productivity and increase your efficiency so that you may generate more profit.


This operator's manual has been designed into four major sections: Foreword, Safety Precautions, Installation Instructions and Parts Breakdown.

This **SAFETY ALERT SYMBOL** indicates important safety messages in the manual. When you see this symbol, be alert to the possibility of **PERSONAL INJURY** and carefully read the message that follows.

 **DANGER:** Indicates an imminently hazardous situation which, if not avoided "will" result in death or serious injury. This signal word is to be limited to the most extreme situations

 **WARNING:** Indicates a potentially hazardous situation which, if not avoided, "could" result in death or serious injury.

 **CAUTION:** Indicates a potentially hazardous situation, which if not avoided, "may" result in minor or moderate injury. It may also be used to alert against unsafe practices.

 **NOTICE:** Indicates information considered important, but not hazard related (e.g., messages relating to property damage).

It is the responsibility of the user to read the operator's manual and comply with the safe and correct operating procedure and to lubricate and maintain the product according to the maintenance schedule in the operator's manual.

The user is responsible for inspecting his machine and for having parts repaired or replaced when continued use of the product would cause damage or excessive wear to the other parts.

It is the user's responsibility to deliver his machine to the Yetter dealer who sold him the product for service or replacement of defective parts, which are covered by the warranty policy.

If you are unable to understand or follow the instructions provided in this publication, consult your local Yetter dealer or contact:

YETTER MANUFACTURING CO.

309/776-4111

800/447-5777

309/776-3222 (FAX)

Website: www.yetterco.com

E-mail: info@yetterco.com

WARRANTY

Yetter Manufacturing warrants all products manufactured and sold by it against defects in material. This warranty being expressly limited to replacement at the factory of such parts or products as shall appear to be defective after inspection. This warranty does not obligate the Company to bear cost of labor in replacement of parts. It is the policy of the Company to make improvements without incurring obligations to add them to any unit already sold. No warranty is made or authorized to be made, other than herein set forth. This warranty is in effect for one year after purchase.

DEALER: _____

Yetter Manufacturing warrants its own products only and cannot be responsible for damages to equipment on which mounted.



SAFETY PRECAUTIONS



A brief description of signal words that may be used in this manual:

DANGER: Indicates an imminently hazardous situation which, if not avoided “will” result in death or serious injury. This signal word is to be limited to the most extreme situations.

WARNING: Indicates a potentially hazardous situation which, if not avoided, “could” result in death or serious injury.

CAUTION: Indicates a potentially hazardous situation, which if not avoided, “may” result in minor or moderate injury. It may also be used to alert against unsafe practices.

NOTICE: Indicates information considered important, but not hazard related (e.g., messages relating to property damage).

Consult your implement and tractor operator’s manual for correct and safe operating practices. Be aware of towed implement width and allow safe clearance.

Safety decals are placed on the implement to alert the operator and others to the risk of personal injury or unsafe operation during normal operations and servicing.

1. The safety decals must be kept clean and in good condition to ensure that they are legible.
2. Safety decals must be replaced if they are missing or illegible.
3. When components are replaced during repair or servicing, check that the new components include the necessary safety signs.
4. Replacement safety decals may be obtained from your local dealer.



WARNING

Read these instructions carefully to acquaint yourself with the Equipment. Working with unfamiliar equipment can lead to accidents.

Never park the equipment on a steep incline or leave the equipment running unattended.

Never clean, lubricate or adjust a machine that is in motion.

Always check that straps are secure.

Make sure latches are in pinned position when moving equipment.

Do not allow children to operate this equipment.

Do not allow riders on the equipment, trailer and/or pick-up.

Use speed and caution dictated by the terrain being traversed. Do not operate on any slope steep enough to cause tipping or loss of control.

Read and understand the operator’s manual and require all other persons who will operate the equipment to do the same.

If operating on public roadways, where legal, be certain all lighting is operating properly and observe all traffic laws.

Beware of increased stopping distances and control effort when operating with implements attached.

Be familiar with all controls and be prepared to stop equipment quickly in an emergency.

FAILURE TO HEED MAY RESULT IN PERSONAL INJURY OR DEATH.

TABLE OF CONTENTS

FOREWORD 2
 SAFETY2-3
 PICTORIAL PART LIST 5 – 12
 INSTALLATION 13 – 20
 OPERATION 21 – 22
 PARTS IDENTIFICATION..... 23 – 42
 TROUBLESHOOTING43

BOLT TORQUE



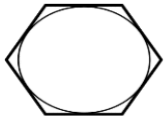


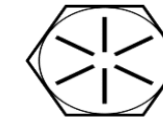
NOTICE: Over-tightening hardware can cause just as much damage as under-tightening. Tightening hardware beyond the recommended range can reduce its shock load capacity.

All hardware is either Grade 5 unless otherwise noted. Grade 5 cap screws are marked with three radial lines on the head. Grade 8 cap screws are marked with six radial lines on the head. If hardware must be replaced, be sure to replace it with hardware of equal size, strength and thread type. Refer to the torque values chart when tightening hardware.

The chart below is a guide for proper torque. Use it unless a specified torque is called out elsewhere in the manual. Torque is the force applied to the end of the handle or cheater bar, times the length of the handle or bar. Tightening hardware beyond the recommended range can reduce its shock load capacity.

Use a torque wrench wherever possible

The following table shows torque in ft.-lbs. for coarse thread hardware.

Bolt Diameter and Threads per Inch	 Grade 2	 Grade 5	 A-325	 Grade 8
1/4	6		10	14
5/16	12		20	30
3/8 – 16	25		35	50
7/16 – 14	35		55	80
1/2 – 13	55		85	125
9/16 – 12	75		125	175
5/8 – 11	105		170	235
3/4-10	185		305	425
7/8 – 9	170		445	690
1-8	260		670	1030
1 1/8 – 7	365		900	1460
1 1/4 - 7	515		1275	2060
1 3/8 – 6	675		1675	2700
1 1/2 - 6	900		2150	3500
1 3/4 – 5	1410		3500	5600

CHECK HARDWARE DAILY FOR LOOSENESS, TORQUE TO SPEC AS NEEDED


2968-020B Pictorial Parts List

For JD 1700, 7200, & 7300 Single Disc, Left or Right Hand

 2968-153 QTY 1 Bolt Bag	 2968-222 QTY 1 Close Wheel Mount	 Only if -LH Ordered 2968-470-LH QTY 1 Short Fert. Wheel Mount, LH	 Only if -RH Ordered 2968-470-RH QTY 1 Short Fert. Wheel Mount, RH	 2968-361 QTY 1 Arm Clamp
---	---	--	--	---



2968-021B Pictorial Parts List

For JD 7000 & 7100, Kinze 2000 & 3000, Single Disc, Left or Right Hand

 2968-154 QTY 1 Bolt Bag	 2968-223 QTY 1 Close Wheel Mount	 Only if -LH Ordered 2968-470-LH QTY 1 Short Fert. Wheel Mount, LH	 Only if -RH Ordered 2968-470-RH QTY 1 Short Fert. Wheel Mount, RH	 2968-361 QTY 1 Arm Clamp
---	---	--	--	---

2968-022B Pictorial Parts List

For White 8000, Single Disc, Left or Right Hand

 2968-155 QTY 1 Bolt Bag	 2968-224 QTY 1 Close Wheel Mount	 Only if -LH Ordered 2968-470-LH QTY 1 Short Fert. Wheel Mount, LH	 Only if -RH Ordered 2968-470-RH QTY 1 Short Fert. Wheel Mount, RH	 2968-469 QTY 1 Arm Spacer, 2"	 2968-361 QTY 1 Arm Clamp
--	--	---	--	--	--

2968-025B Pictorial Parts List

For White 9000, Single Disc, Left or Right Hand

 2968-155 QTY 1 Bolt Bag	 2968-220 QTY 1 Close Wheel Mount	 Only if -LH Ordered 2968-470-LH QTY 1 Short Fert. Wheel Mount, LH	 Only if -RH Ordered 2968-470-RH QTY 1 Short Fert. Wheel Mount, RH	 2968-361 QTY 1 Arm Clamp
---	---	--	--	---






2968-026A Pictorial Parts List

For Harvest International Single Disc, Left or Right Hand

 2968-153 QTY 1 Bolt Bag	 2968-225 QTY 1 Close Wheel Mount	 Only if -LH Ordered 2968-470-LH QTY 1 Short Fert. Wheel Mount, LH	 Only if -RH Ordered 2968-470-RH QTY 1 Short Fert. Wheel Mount, RH	 2968-361 QTY 1 Arm Clamp
---	---	--	--	---

2968-027A Pictorial Parts List

For Kinze 4900 Single Disc, Left or Right Hand

 <p>2968-156 QTY 1 Bolt Bag</p>	 <p>2968-228 QTY 1 Close Wheel Mount</p>	 <p>Only if -LH Ordered 2968-470-LH QTY 1 Short Fert. Wheel Mount, LH</p>	 <p>Only if -RH Ordered 2968-470-RH QTY 1 Short Fert. Wheel Mount, RH</p>	 <p>2968-361 QTY 1 Arm Clamp</p>
---	---	--	--	---

2968-040A Pictorial Parts List

For JD 1700, 7200, & 7300 Dual Disc

 <p>2968-157 QTY 1 Bolt Bag</p>	 <p>2968-222 QTY 1 Close Wheel Mount</p>	 <p>2968-470-RH QTY 1 Short Fert. Wheel Mount, RH</p>	 <p>2968-471-LH QTY 1 Tall Fert. Wheel Mount</p>	 <p>2968-361 QTY 1 Arm Clamp</p>
---	---	--	---	---


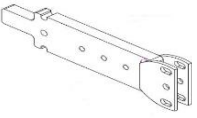




2968-041A Pictorial Parts List

For JD 7000 & 7100, Kinze 2000 & 3000, Dual Disc

 <p>2968-159 QTY 1 Bolt Bag</p>	 <p>2968-223 QTY 1 Close Wheel Mount</p>	 <p>2968-470-RH QTY 1 Short Fert. Wheel Mount, RH</p>	 <p>2968-471-LH QTY 1 Tall Fert. Wheel Mount</p>	 <p>2968-361 QTY 1 Arm Clamp</p>
--	--	---	--	--


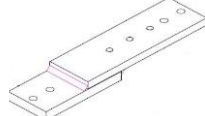


2968-042A Pictorial Parts List

For White 8000, Dual Disc

 <p>2968-160 QTY 1 Bolt Bag</p>	 <p>2968-224 QTY 1 Close Wheel Mount</p>	 <p>2968-470-RH QTY 1 Short Fert. Wheel Mount, RH</p>	 <p>2968-471-LH QTY 1 Short Fert. Wheel Mount, LH</p>	 <p>2968-469 QTY 1 Arm Spacer, 2"</p>	 <p>2968-361 QTY 1 Arm Clamp</p>
---	---	--	---	--	---




2968-043A Pictorial Parts List

For White 9000, Single Disc, Left or Right Hand

 <p>2968-160 QTY 1 Bolt Bag</p>	 <p>2968-220 QTY 1 Close Wheel Mount</p>	 <p>2968-470-RH QTY 1 Short Fert. Wheel Mount, LH</p>	 <p>2968-471-LH QTY 1 Short Fert. Wheel Mount, RH</p>	 <p>2968-361 QTY 1 Arm Clamp</p>
---	---	--	--	---

2968-044A Pictorial Parts List

For Harvest International, Dual Disc

 <p>2968-157 QTY 1 Bolt Bag</p>	 <p>2968-225 QTY 1 Close Wheel Mount</p>	 <p>2968-470-RH QTY 1 Short Fert. Wheel Mount, RH</p>	 <p>2968-471-LH QTY 1 Tall Fert. Wheel Mount</p>	 <p>2968-361 QTY 1 Arm Clamp</p>
---	---	--	---	---

2968-045A Pictorial Parts List

For Kinze 4900, Dual Disc

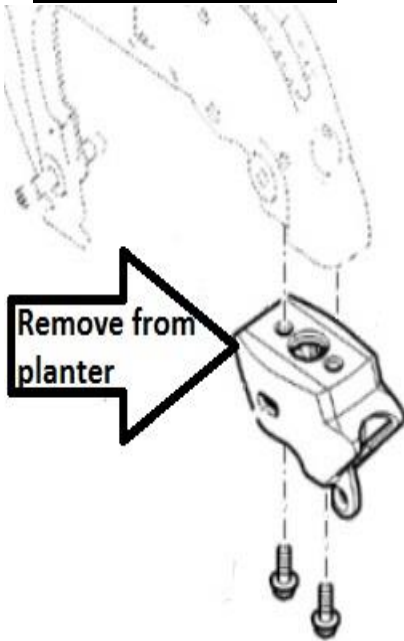
 <p>2968-158 QTY 1 Bolt Bag</p>	 <p>2968-228 QTY 1 Close Wheel Mount</p>	 <p>2968-470-RH QTY 1 Short Fert. Wheel Mount, RH</p>	 <p>2968-471-LH QTY 1 Tall Fert. Wheel Mount</p>	 <p>2968-361 QTY 1 Arm Clamp</p>
---	---	--	---	---

INSTALLATION INSTRUCTIONS

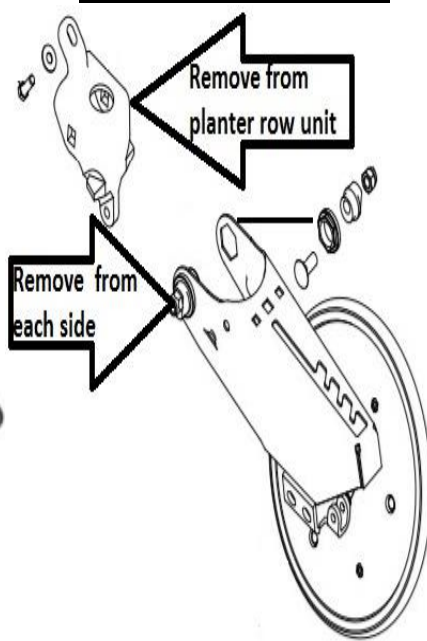
Step 1: Remove OEM Tail Piece

Remove the V-Closing Wheel Tail Piece from the row unit.

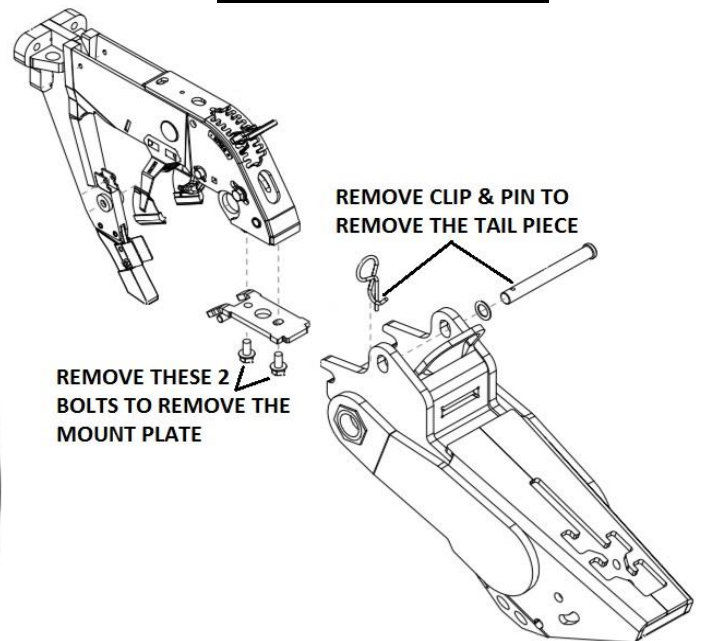
JD 1700/7200/7300



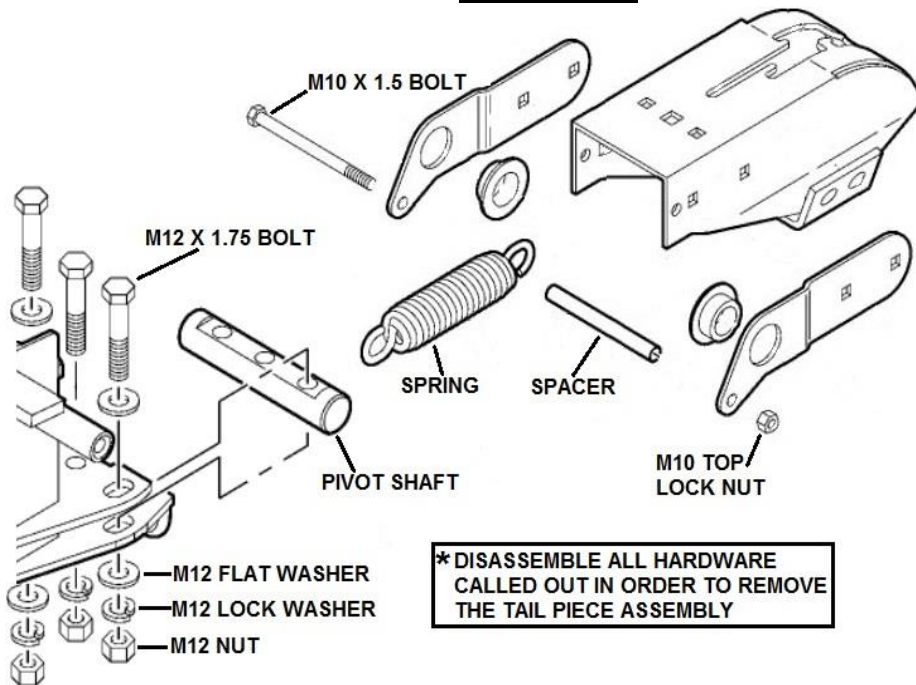
Kinze/JD 7000/7100



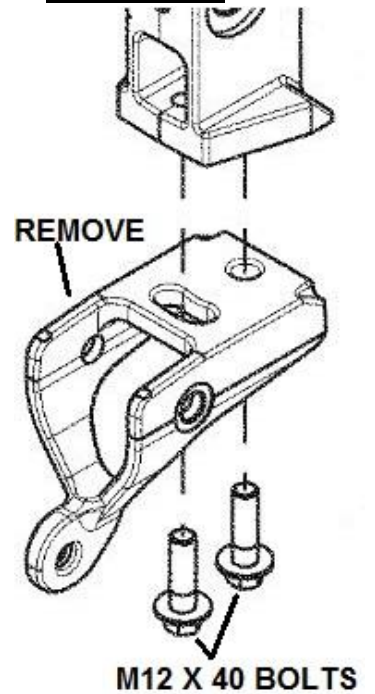
Harvest International



White 8000



White 9000

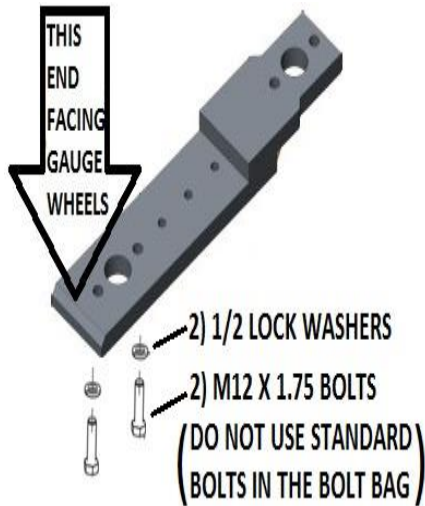


INSTALLATION INSTRUCTIONS

Step 2: Fertilizer Mount Plate Installation

Install Fertilizer Mount Plate for the Yetter 2968 unit where the closing wheel tail piece was originally assembled.

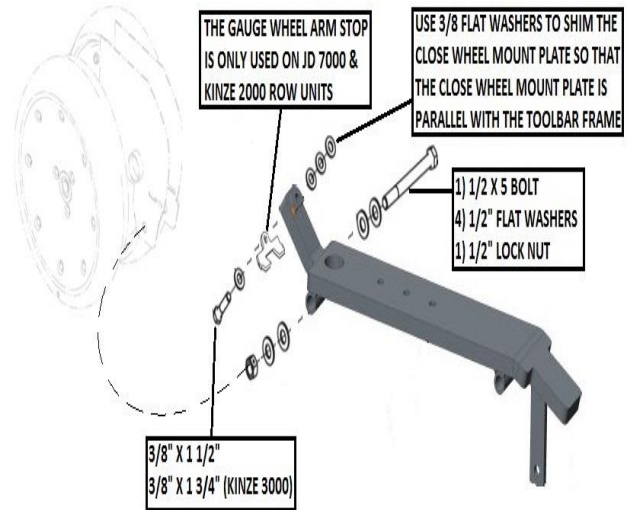
JD 1700/7200/7300



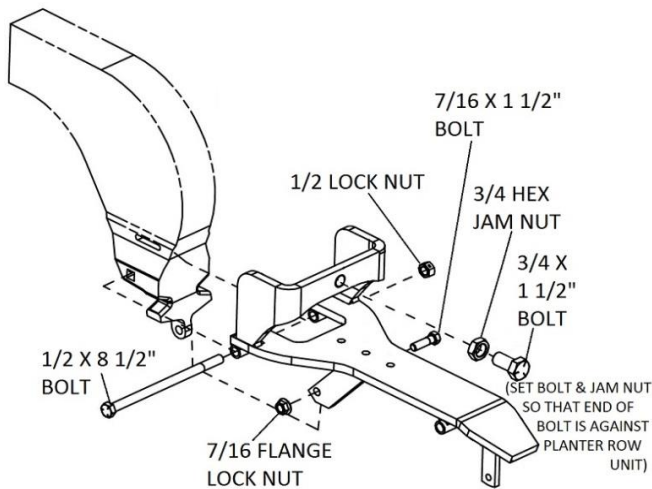
Harvest International



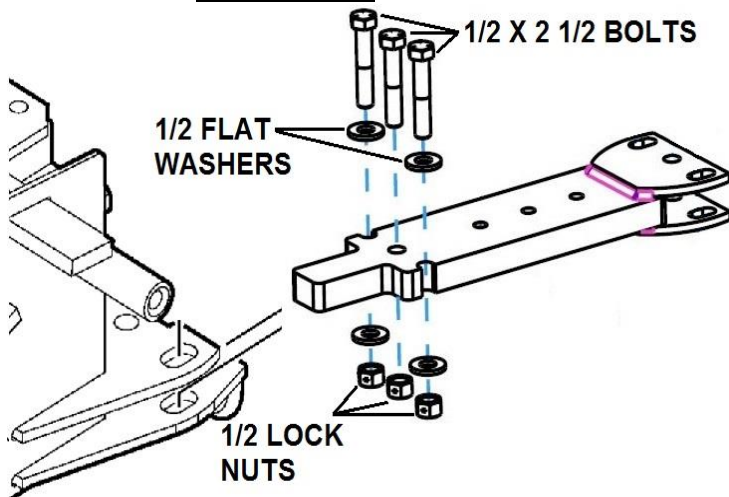
JD 7000/7100/Kinze 2000 & 3000



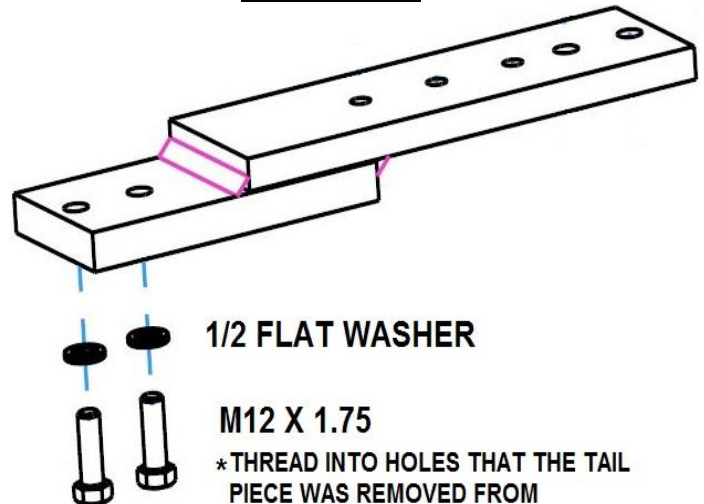
Kinze 4900



White 8000



White 9000

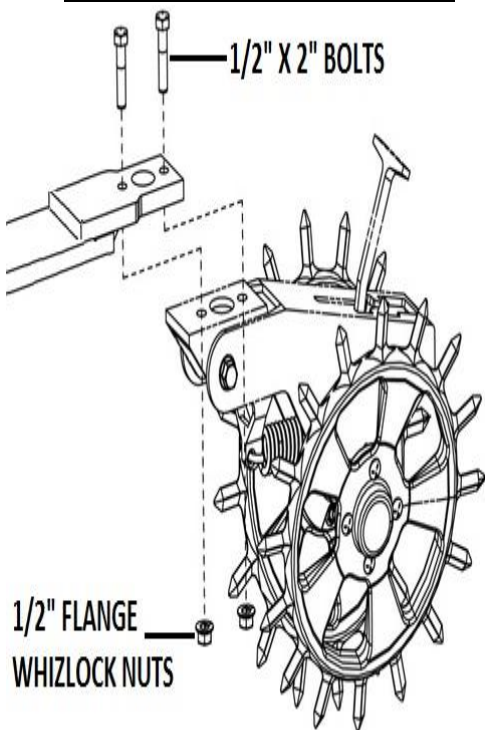


INSTALLATION INSTRUCTIONS

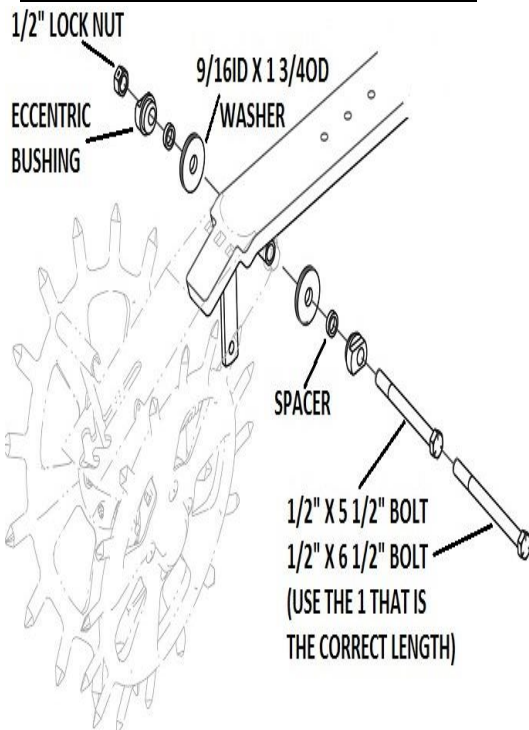
Step 3: Attach Closing Wheel Assembly to Fertilizer Mount Plate

Attach V-Closing Wheel Tail Piece to the Fertilizer Mount Plate. Reattach the spring.

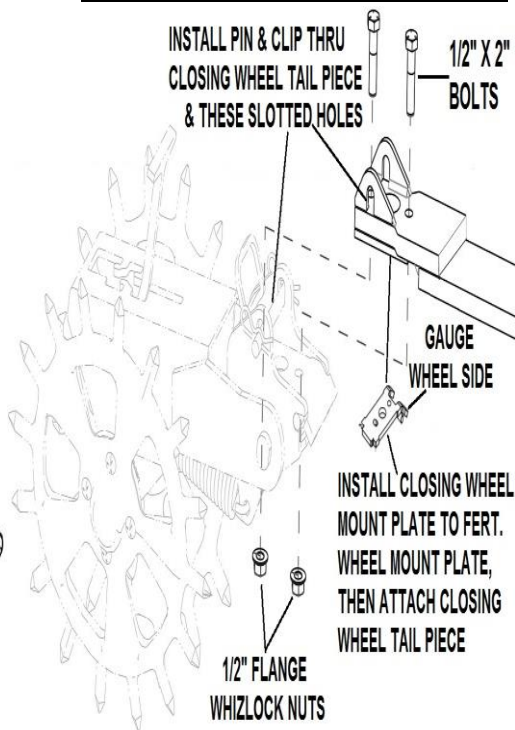
JD 1700/7200/7300



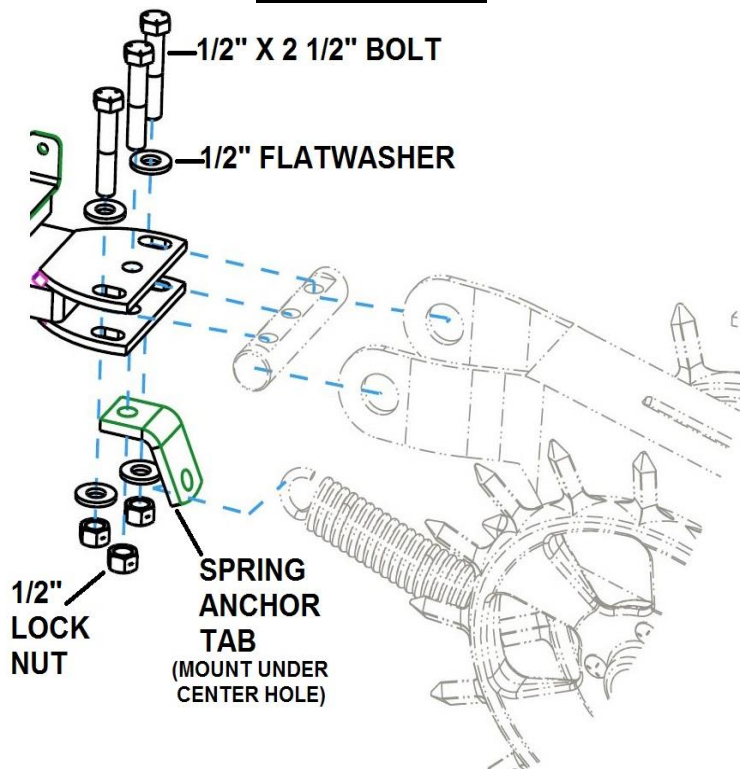
All Kinze/JD 7000/7100



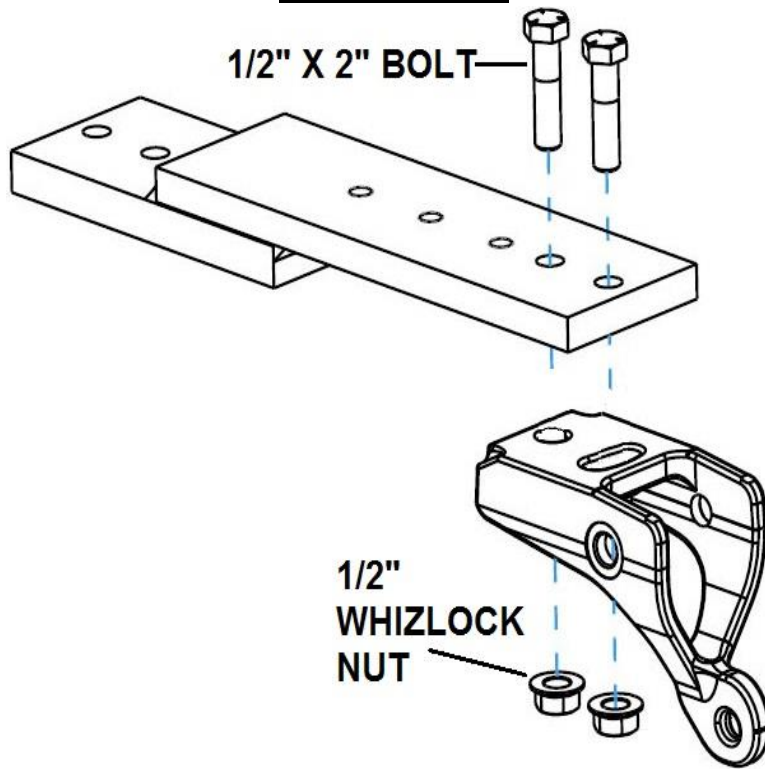
Harvest International



White 8000



White 9000



INSTALLATION INSTRUCTIONS

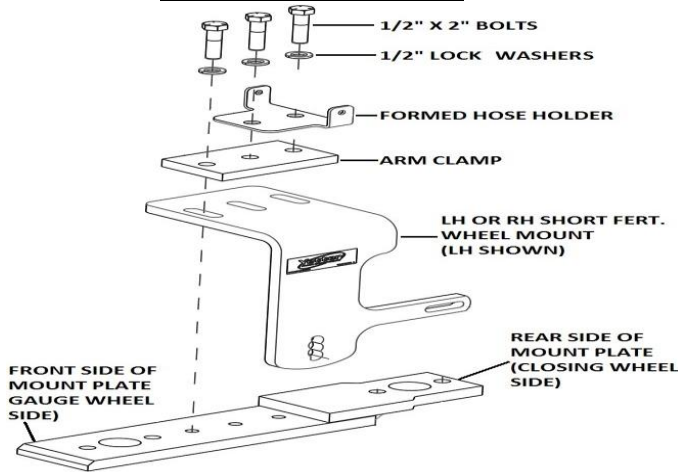
(2968-020A, 2968-021A, 2968-026A, & 2968-027A MODELS, SINGLE DISC)

(IF INSTALLING 2968-040, 2968-041, 2968-044, OR 2968-045 DUAL DISC, SKIP TO 4B)

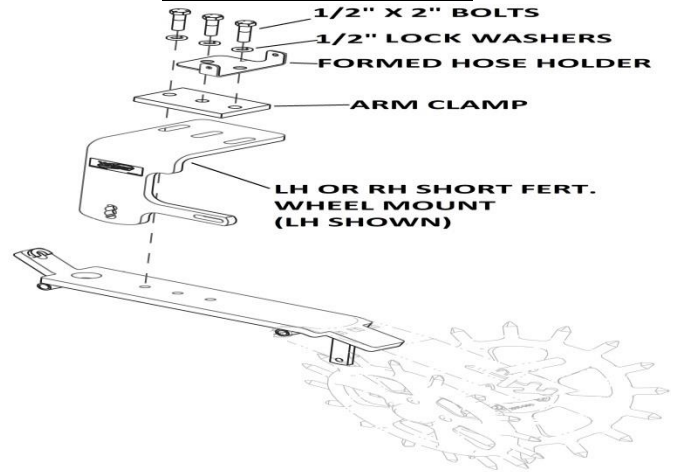
Step 4A: Fertilizer Wheel Mount Assembly, Single

Install the 2968-470-LH or 2968-470-RH Short Fert. Wheel Mount, Arm Clamp, & Formed Hose Holder to the Fertilizer Mount Plate using 3) 1/2" X 2" Bolts & 3) 1/2" Lock Washers. White row units will use 3) 1/2" X 2 1/4" Bolts. **ALL PHOTOS BELOW SHOW LH UNIT INSTALLATION.** DO NOT tighten the 3) 1/2" X 2" (2 1/4" on White row units) Bolts until after the wheel are installed.

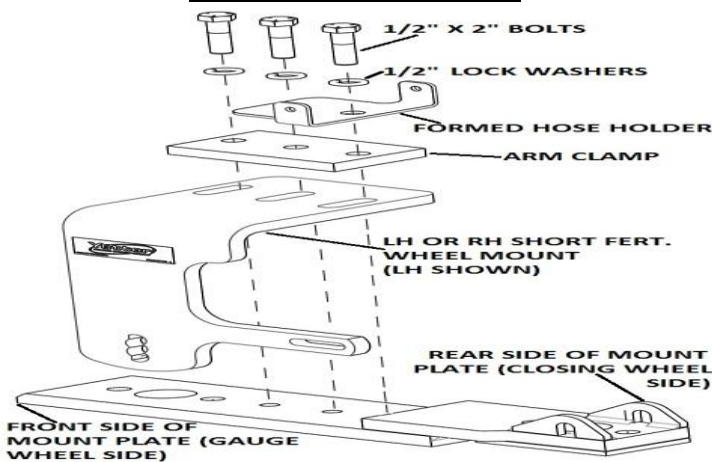
JD 1700/7200/7300



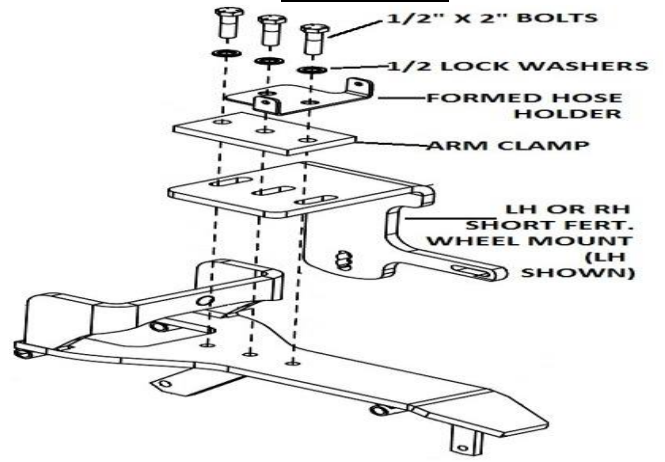
Kinze/JD 7000/7100



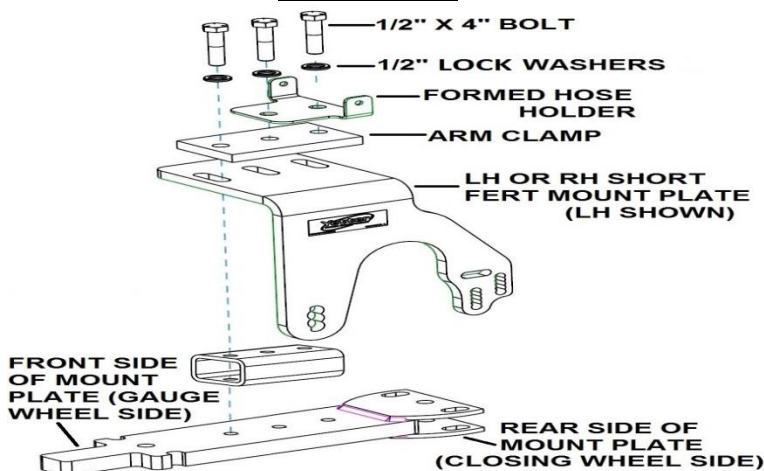
Harvest International



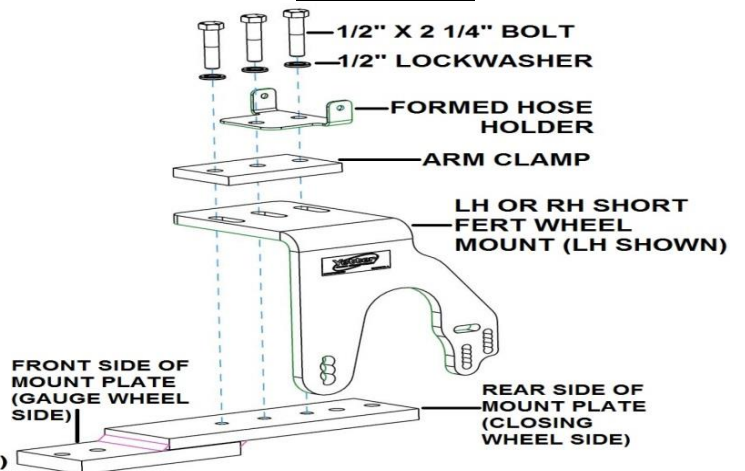
Kinze 4900



White 8000



White 9000



INSTALLATION INSTRUCTIONS

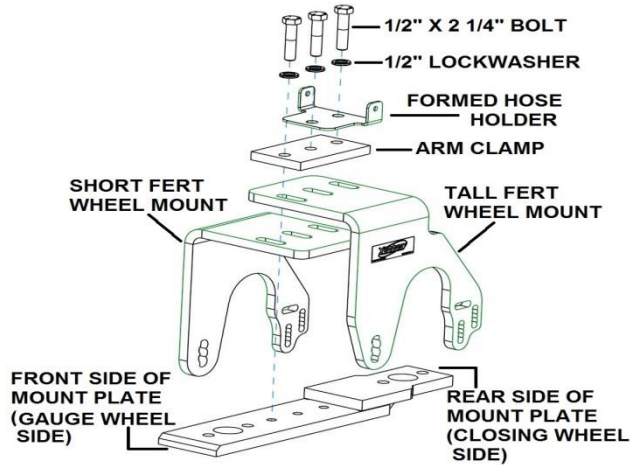
(2968-040A, 2968-041A, 2968-042A, 2968-043A, 2968-044A, & 2968-045 MODELS, DUAL DISC)

Step 4B: Fertilizer Wheel Mount Assembly, Dual

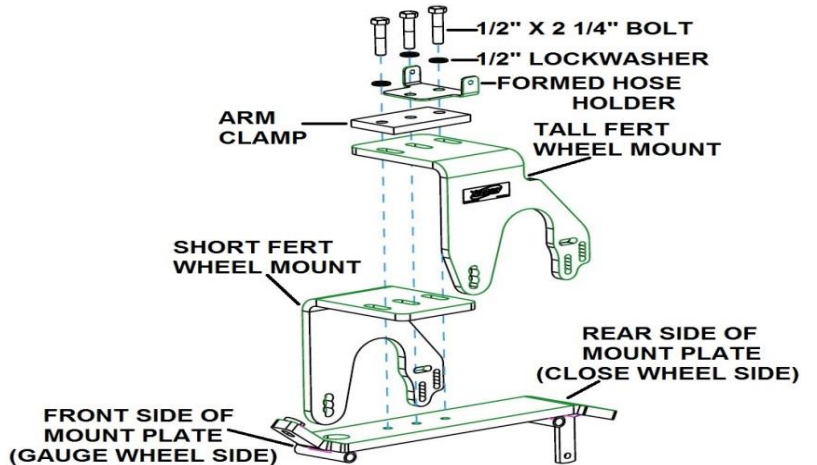
Install the 2968-359-RH L-Mount bracket, 2968-360 Tall L-Mount Bracket, Arm Clamp, & Formed Hose Holder to Fertilizer Mount Plate using 3) 1/2" X 2 1/4" Bolts & 3) 1/2" Lock Washers.

DO NOT tighten the 3) 1/2" X 2 1/4" Bolts until after the wheel are installed.

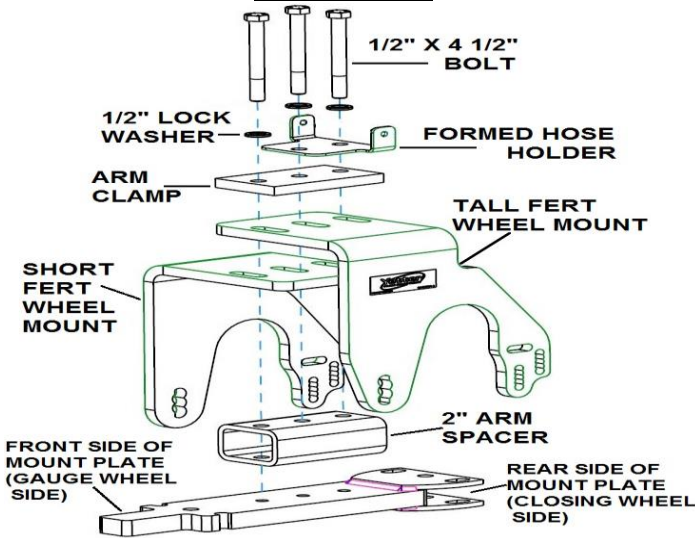
JD 1700/7200/7300



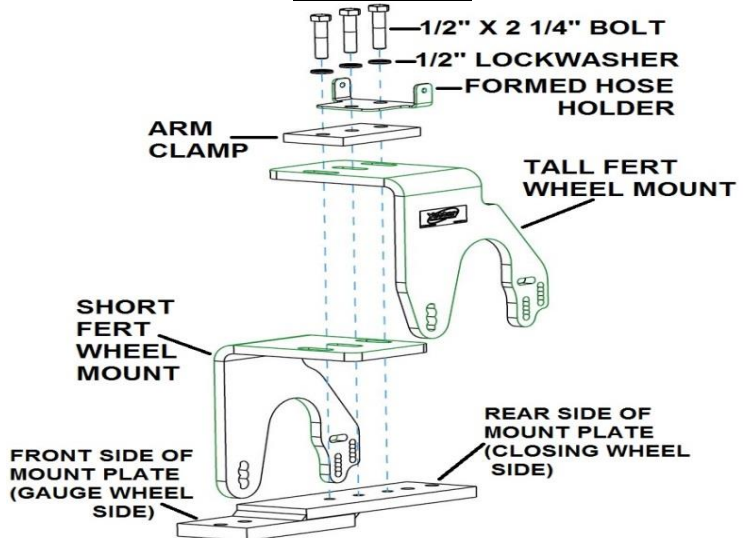
Kinze/JD 7000/7100



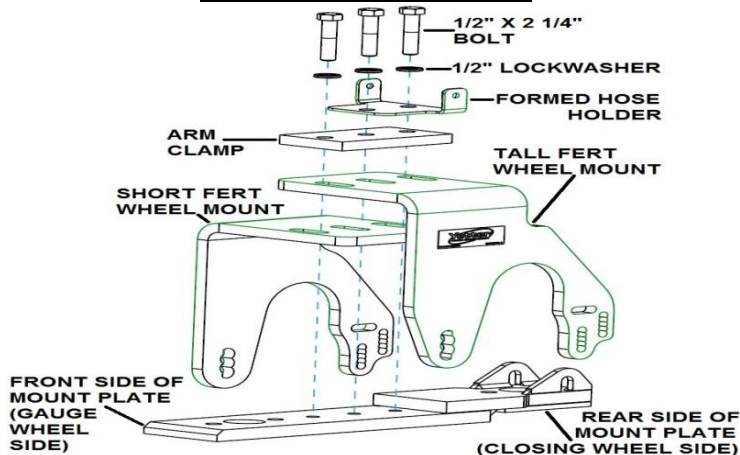
White 8000



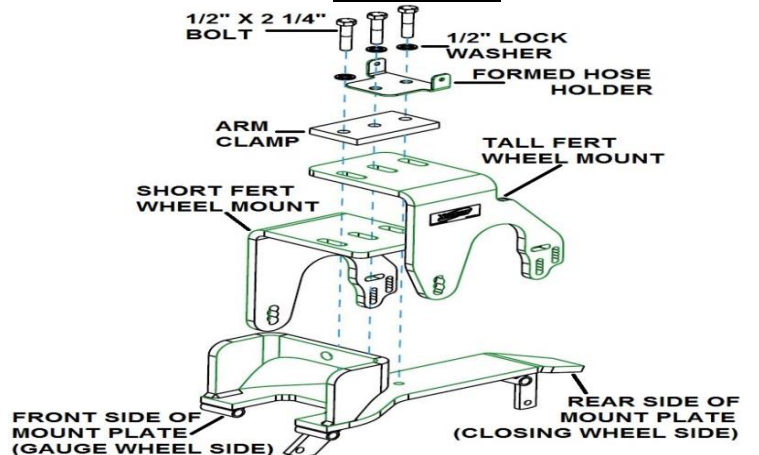
White 9000



Harvest International



Kinze 4900

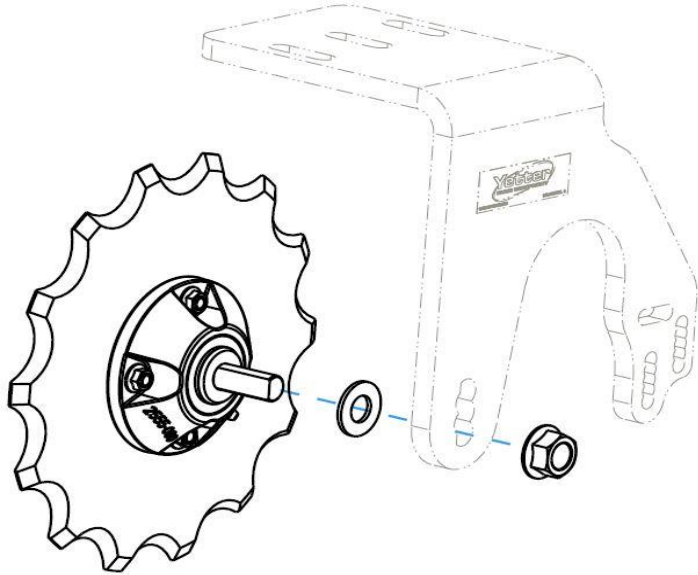


INSTALLATION INSTRUCTIONS

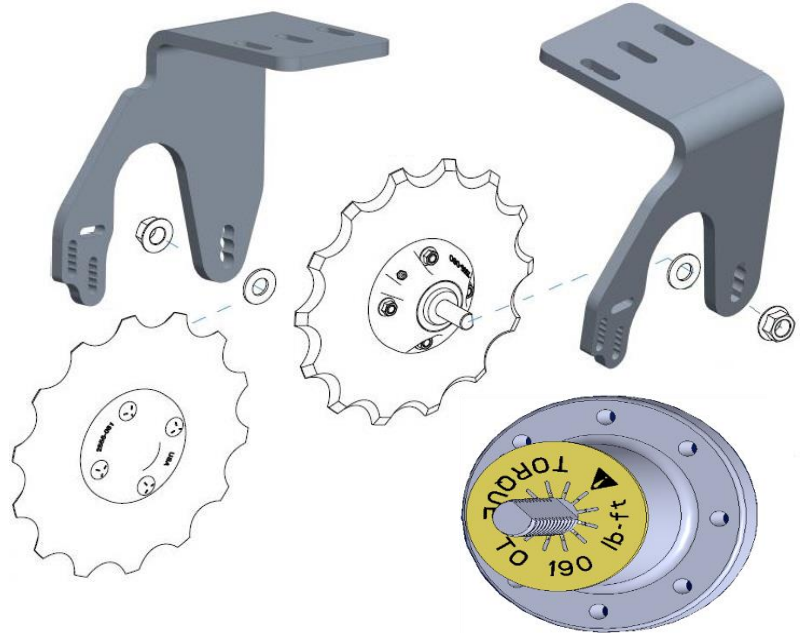
Step 5: Fertilizer Wheel Assembly

Place 1) 5/8" flat washer over the D-bolt & install the Fertilizer Wheel Assembly to Fertilizer Wheel Mount Plate & tighten 5/8" flange whiz lock nut. Torque 180 ft. lbs. See [page 21](#) to determine which D-bolt hole to install the wheel assembly to achieve your desired depth.

SINGLE WHEEL (LH Shown)



DUAL WHEEL

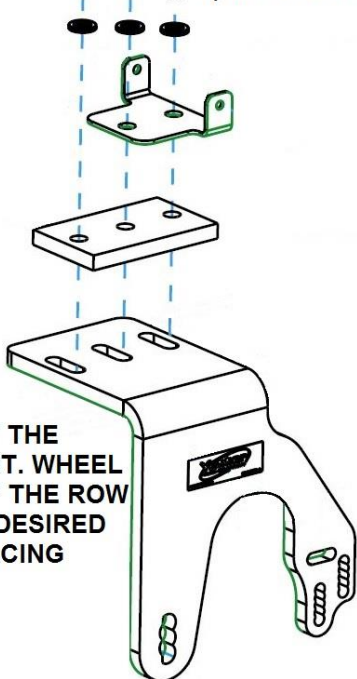


Step 6: Set the Fertilizer Wheel Assembly Width

Set each Fertilizer Wheel Assembly to the desired spacing off the row (2" – 3") & then tighten the 3) 1/2" bolts from **STEP 4**.

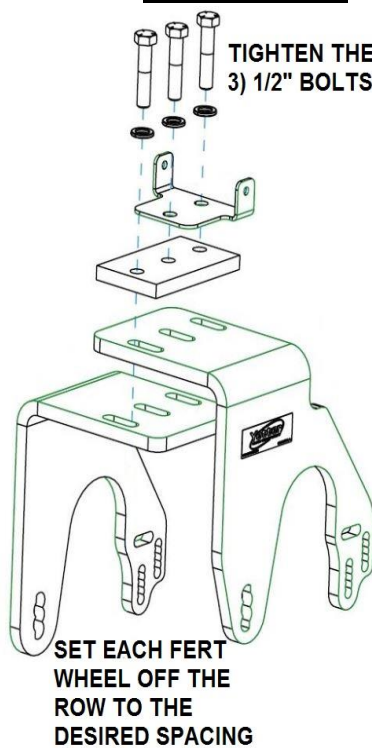
SINGLE WHEEL

TIGHTEN THE
3) 1/2" BOLTS



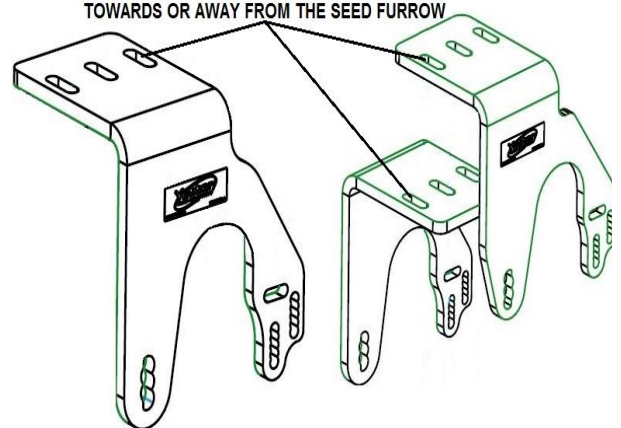
DUAL WHEEL

TIGHTEN THE
3) 1/2" BOLTS



WHEEL ADJUSTMENT

USE THE SLOTTED HOLES IN THE FERTILIZER
WHEEL MOUNT TO ADJUST EACH BLADE
TOWARDS OR AWAY FROM THE SEED FURROW

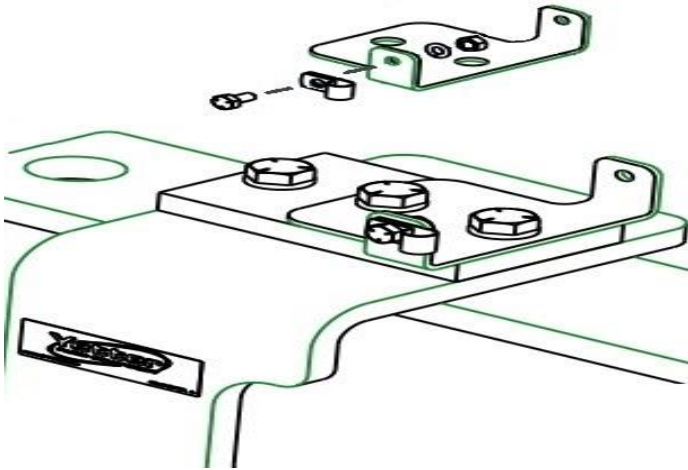


INSTALLATION INSTRUCTIONS

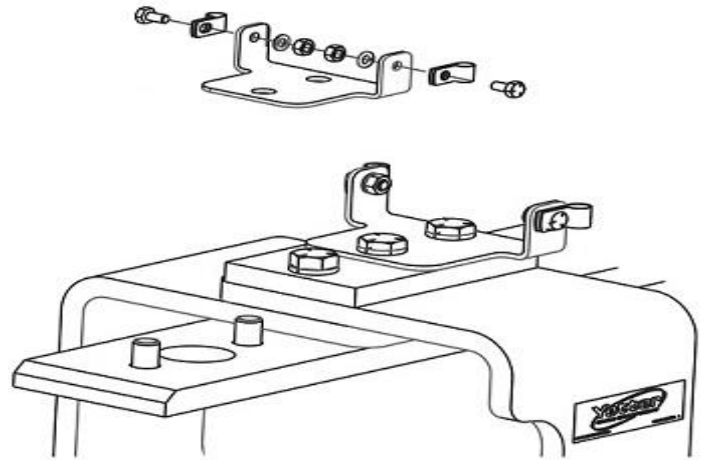
STEP 7: P-Clip Installation

Install each P-Clip to the Formed Hose Holder using $\frac{1}{4}$ " X $\frac{1}{2}$ " bolts, $\frac{1}{4}$ " lock washers, & $\frac{1}{4}$ " hex nuts. A P-Clip should be placed on the side with blade for single wheel placement & on both sides for dual wheel placement.

SINGLE WHEEL (LEFT SIDE SHOWN)

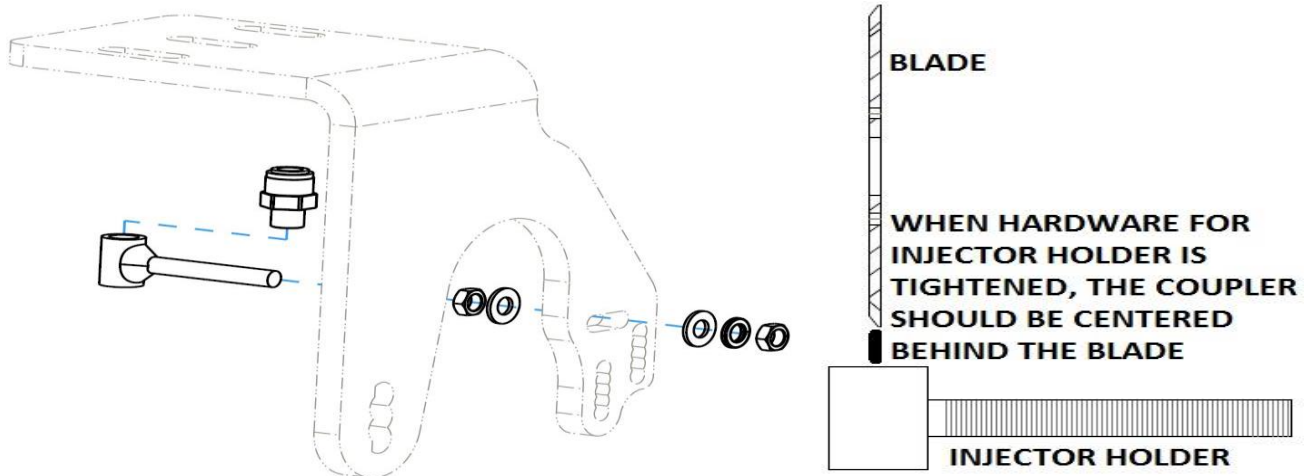


DUAL WHEEL

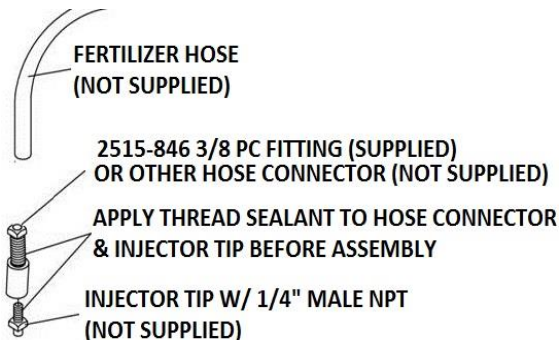


STEP 8A: INJECTOR INSTALLATION

Install each Injector Holder behind each blade. Thread a $\frac{3}{8}$ " hex jam nut on the threaded rod roughly 2", place a $\frac{3}{8}$ " flat washer over the threaded rod against the hex jam nut. Slide the threaded rod thru the horizontal slotted hole on the fertilizer wheel mount so that the threaded rod end is on the outside of the fertilizer wheel mount. Place a $\frac{3}{8}$ " flat washer & $\frac{3}{8}$ " lock washer over the end, & thread another $\frac{3}{8}$ " hex jam nut. Before tightening, center the coupler behind the blade & point the bottom of the coupler slightly forward. Install the push connect fitting on the top side of the coupler if you wish to use it.



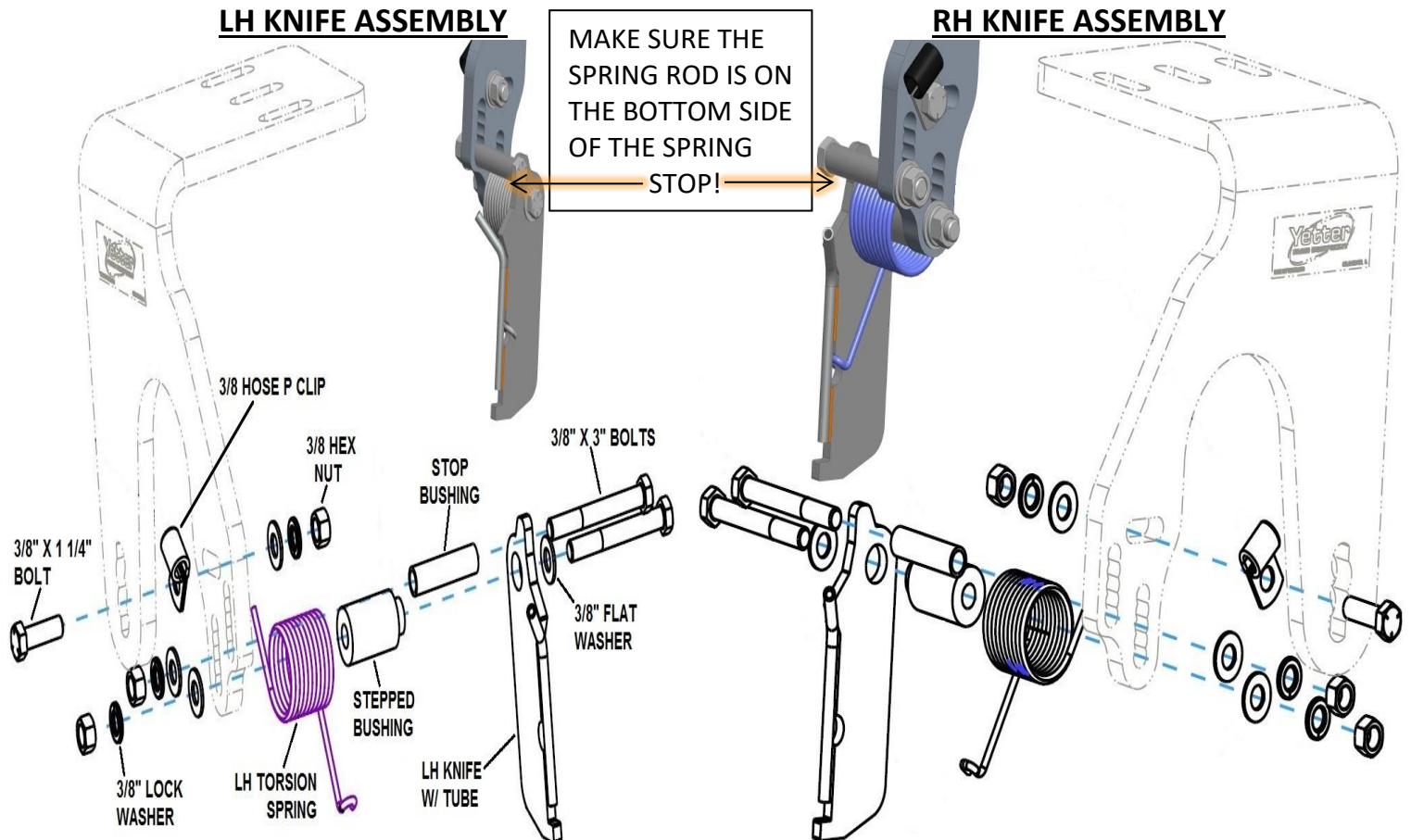
Assemble nozzle tip (not supplied) to each 2968-218 injector holder. Injector tips can be ordered through fertilizer equipment dealer. Calibrate the fertilizer pump and tips to **maximum recommended pressure of 30PSI and minimum 20PSI at the tip**. Attach the fertilizer hose to the top side of each coupler.



INSTALLATION INSTRUCTIONS

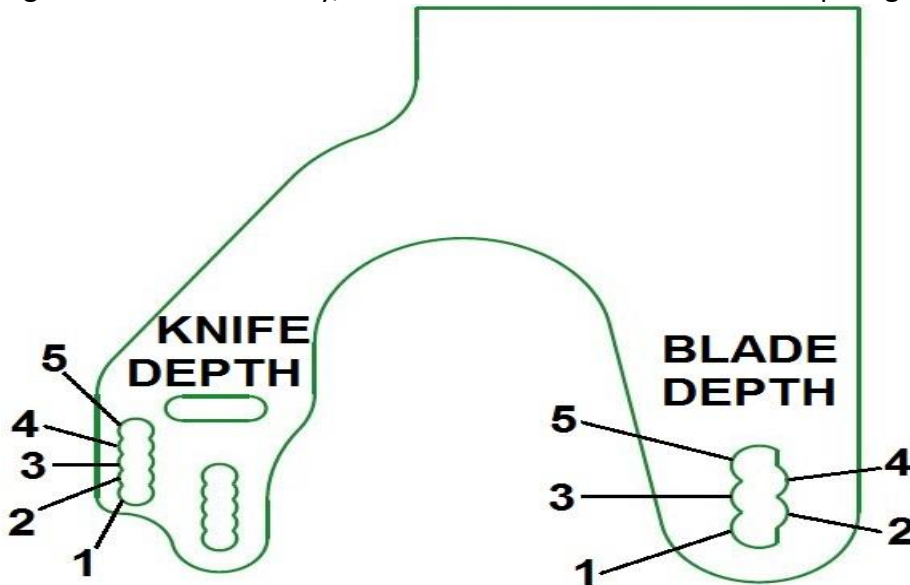
STEP 8B: REAR KNIFE INSTALLATION

Assemble the 3/8 Hose P Clip to the horizontally slotted hole by placing the P Clip over the bolt threads, insert the 3/8" bolt thru the slotted hole, place a 3/8" flat washer & 3/8" lock washer over the bolt, & install a 3/8 hex nut. Insert 1) 3/8" X 3" bolt thru the stop bushing & insert the bolt thru 1 of the rear set of vertical holes that matches the blade. (If blade is in the 2nd hole from the bottom, the stop bolt/bushing needs to be in the 2nd hole from bottom) Place a 3/8" flat washer & lock washer over the bolt on the outside of the mount plate & hand tighten the 3/8" nut. Insert the hook on the spring onto the notch on the knife & place the stepped bushing thru the spring. Place 1) 3/8" flat washer over the remaining 3/8" X 3" bolt, insert bolt thru knife/stepped bushing, & insert bolt thru 1 of the front set of vertical holes that match the stop bolt/bushing. Make sure the spring wire stop is on the bottom side of the stop bushing. Once the bolt is in position, place a 3/8" flat washer & lock washer over the bolt & hand tighten the 3/8" nut. Make sure the stepped bushing goes thru the knife & then tighten all the hardware down from this step.



OPERATION

- On dual fertilizer placement, the wheels are staggered front to back to keep the soil from heaving.
- Fertilizer can be placed 2" – 3" off the seed furrow. Please see your agronomist to determine best spacing on the rate that's being applied.
- Calibrate the fertilizer pump and tips to **maximum pressure of 30PSI and minimum 20PSI at the tip.**
- Residue managers are recommended if residue is present in planting conditions to eliminate hair pinning.
- Blade replacement is necessary when the depth cannot be achieved or the blade struggles to penetrate the soil.
- If there is buildup of damp soil on the planter gauge wheels or opener disks, then conditions are less than ideal & some problems may also be encountered with the fertilizer wheel.
- Seed depth will need rechecked after fertilizer unit installation.
- More row unit down force will be needed to maintain fertilizer wheel depth.
- The knife hole positions are ¼" shallower than the blade. For example, if using a 10" blade, the bottom hole setting on the blade will be ¼" deeper than bottom hole setting for the knife.
- When the knife/spring is assembled correctly, the knife should have tension to keep it against the down stop.



BLADE DEPTH SETTINGS

<u>POSITION</u>	<u>DEPTH (USING 10" NOTCHED BLADE)</u>
1	5/8" BELOW DOUBLE DISC OPENERS
2	3/8" BELOW DOUBLE DISC OPENERS
3	1/8" BELOW DOUBLE DISC OPENERS
4	1/8" ABOVE DOUBLE DISC OPENERS
5	3/8" ABOVE DOUBLE DISC OPENERS

<u>POSITION</u>	<u>DEPTH (USING 11" NOTCHED BLADE)</u>
1	1 1/8" BELOW DOUBLE DISC OPENERS
2	7/8" BELOW DOUBLE DISC OPENERS
3	5/8" BELOW DOUBLE DISC OPENERS
4	3/8" BELOW DOUBLE DISC OPENERS
5	1/8" BELOW DOUBLE DISC OPENERS

KNIFE DEPTH SETTINGS

<u>POSITION</u>	<u>KNIFE DEPTH</u>
1	3/8" BELOW DOUBLE DISC OPENERS
2	1/8" BELOW DOUBLE DISC OPENERS
3	1/8" ABOVE DOUBLE DISC OPENERS
4	3/8" ABOVE DOUBLE DISC OPENERS
5	5/8" ABOVE DOUBLE DISC OPENERS

OPERATION

LIQUID FERTILIZER APPLICATION RATE & PRESSURE CHART – TABLES BASED ON 30” NOZZLE SPACING

TIP #	LIQUID PRESSURE IN PSI	CAPACITY 1 NOZZLE IN GPM	GALLONS PER ACRE (USING WATER)					
			4 MPH H2O	5 MPH H2O	5.5 MPH H2O	6 MPH H2O	7 MPH H2O	8MPH H2O
#00015	20	0.11	5.45	4.36	3.96	3.63	3.11	2.72
	25	0.12	5.94	4.75	4.32	3.96	3.39	2.97
	30	0.13	6.44	5.15	4.68	4.29	3.68	3.22
	40	0.15	7.43	5.94	5.40	4.95	4.24	3.71
	50	0.17	8.42	6.73	6.12	5.61	4.81	4.21
	60	0.18	8.91	7.13	6.48	5.94	5.09	4.46
#0002	20	0.14	6.93	5.54	5.04	4.62	3.96	3.47
	25	0.16	7.92	6.34	5.76	5.28	4.53	3.96
	30	0.17	8.42	6.73	6.12	5.61	4.81	4.21
	40	0.20	9.90	7.92	7.20	6.60	5.66	4.95
	50	0.23	11.39	9.11	8.28	7.59	6.51	5.69
	60	0.25	12.38	9.90	9.00	8.25	7.07	6.19
#0003	20	0.21	10.40	8.32	7.56	6.93	5.94	5.20
	25	0.24	11.88	9.50	8.64	7.92	6.79	5.94
	30	0.26	12.87	10.30	9.36	8.58	7.35	6.44
	40	0.30	14.85	11.88	10.80	9.90	8.49	7.43
	50	0.34	16.83	13.46	12.24	11.22	9.62	8.42
	60	0.37	18.32	14.65	13.32	12.21	10.47	9.16
#0004	20	0.28	13.86	11.09	10.08	9.24	7.92	6.93
	25	0.32	15.84	12.67	11.52	10.56	9.05	7.92
	30	0.35	17.33	13.86	12.60	11.55	9.90	8.66
	40	0.40	19.80	15.84	14.40	13.20	11.31	9.90
	50	0.45	22.28	17.82	16.20	14.85	12.73	11.14
	60	0.49	24.26	19.40	17.64	16.17	13.86	12.13
#0005	20	0.35	17.33	13.86	12.60	11.55	9.90	8.66
	25	0.40	19.80	15.84	14.40	13.20	11.31	9.90
	30	0.43	21.29	17.03	15.48	14.19	12.16	10.64
	40	0.50	24.75	19.80	18.00	16.50	14.14	12.38
	50	0.56	27.72	22.18	20.16	18.48	15.84	13.86
	60	0.61	30.20	24.16	21.96	20.13	17.25	15.10
#0006	20	0.42	20.79	16.63	15.12	13.86	11.88	10.40
	25	0.47	23.27	18.61	16.92	15.51	13.29	11.63
	30	0.52	25.74	20.59	18.72	17.16	14.71	12.87
	40	0.60	29.70	23.76	21.60	19.80	16.97	14.85
	50	0.67	33.17	26.53	24.12	22.11	18.95	16.58
	60	0.74	36.63	29.30	26.364	24.42	20.93	18.32
#0008	20	0.57	28.22	22.57	20.52	18.81	16.12	14.11
	25	0.63	31.19	24.95	22.68	20.79	17.82	15.59
	30	0.69	34.16	27.32	24.84	22.77	19.52	17.08
	40	0.80	39.60	31.68	28.80	26.40	22.63	19.80
	50	0.89	44.06	35.24	32.04	29.37	25.17	22.03
	60	0.98	48.51	38.81	35.28	32.34	27.72	24.26
#0010	20	0.71	35.15	28.12	25.56	23.43	20.08	17.57
	25	0.79	39.11	31.28	28.44	26.07	22.35	19.55
	30	0.87	43.07	34.45	31.32	28.71	24.61	21.53
	40	1.00	49.50	39.60	36.00	33.00	28.29	24.75
	50	1.12	55.44	44.35	40.32	36.96	31.68	27.72
	60	1.23	60.89	48.71	44.28	40.59	34.79	30.44
#0015	20	1.06	52.47	41.98	38.16	34.98	29.98	26.24
	25	1.19	58.91	47.12	42.84	39.27	33.66	29.45
	30	1.30	64.35	51.48	46.80	42.90	36.77	32.18
	40	1.50	74.25	59.40	54.00	49.50	42.43	37.13
	50	1.68	83.16	66.53	60.48	55.44	47.52	41.58
	60	1.81	89.60	71.68	65.16	59.73	51.20	44.80

Row Spacing Multiplier	10" X 3.3	15" X 2.0	20" X 1.5	36" X .83	38" X .79	40" X .75
------------------------	-----------	-----------	-----------	-----------	-----------	-----------

Values in this chart area based on using water. To calculate nozzle size required for your fertilizer application, the weight of the fertilizer solution must be accounted for by using a conversion factor for specific gravity. The Conversion factor for 28% liquid nitrogen is 1.13. Example: desired rate of application is 10 GPA of 28% N multiply 10 gallons per acre of fertilizer you want to apply x the conversion factor for 28% N (1.13) to get an equivalent rate for water. 10 x 1.13 refers to the chart for 11.13 gallons per acre at your desired speed/MPH.

GPA = $\frac{5940 \times \text{GPM}}{\text{MPH} \times \text{W}}$
 (Per Nozzle)

H2O = WATER
GPA = GALLON PER ACRE
GPM = GALLON PER MINUTES
MPH = MILES PER HOUR
W = WIDTH

SOLUTION
28% = H2O/1.13
32% = H2O/1.15

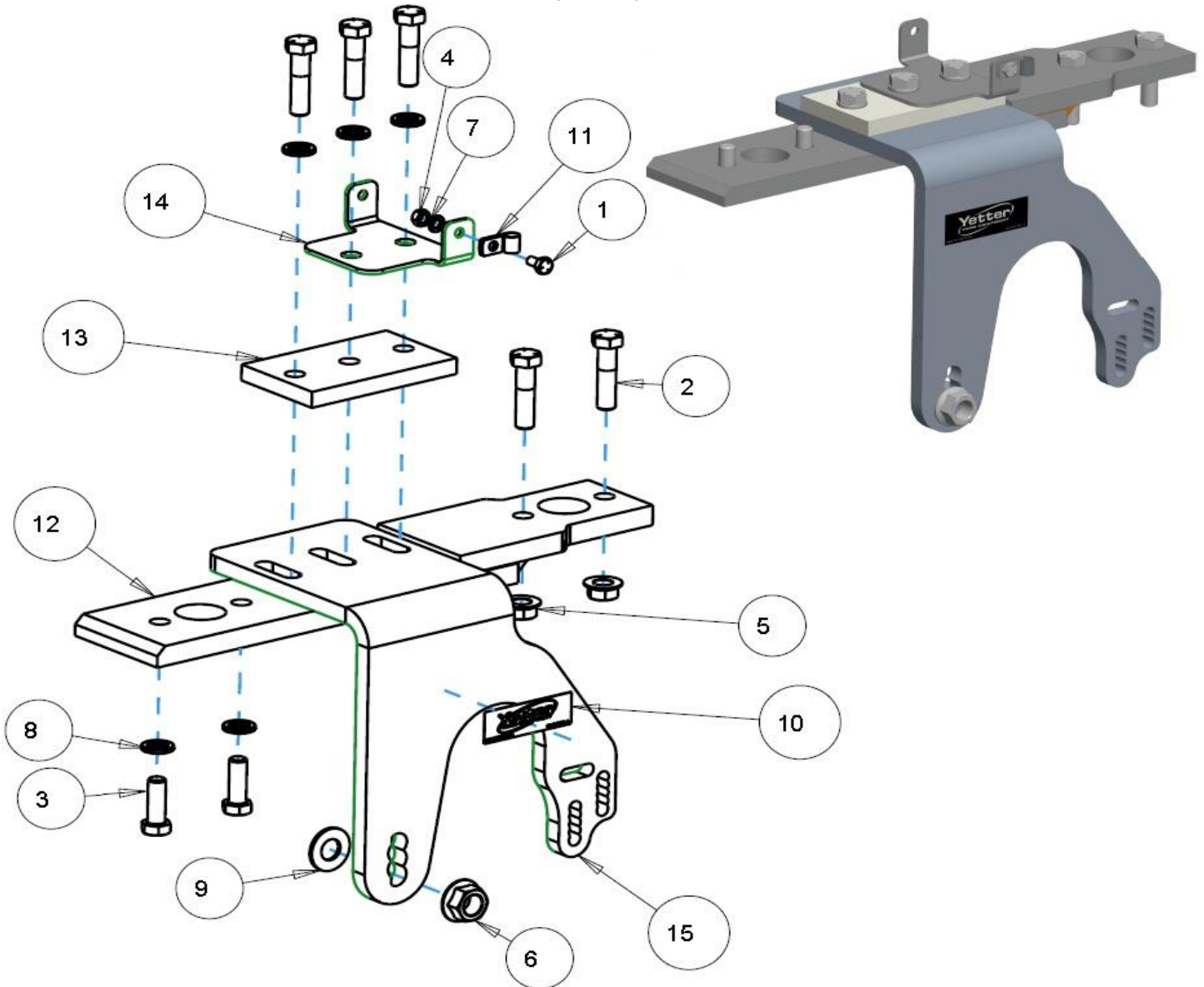
This table is a reference only. Please calibrate your equipment to insure proper rate of application.

The information contained in this issue is offered in good faith by Yetter Mfg. Co. to further the understanding of liquid fertilizer application.

However, the use of the information provided is beyond the control of Yetter Mfg. Co. and in no case shall Yetter Mfg. Co. or any seller of its products be responsible for any damages that may occur from the use of this information.

2968-020B-L-LB PARTS IDENTIFICATION

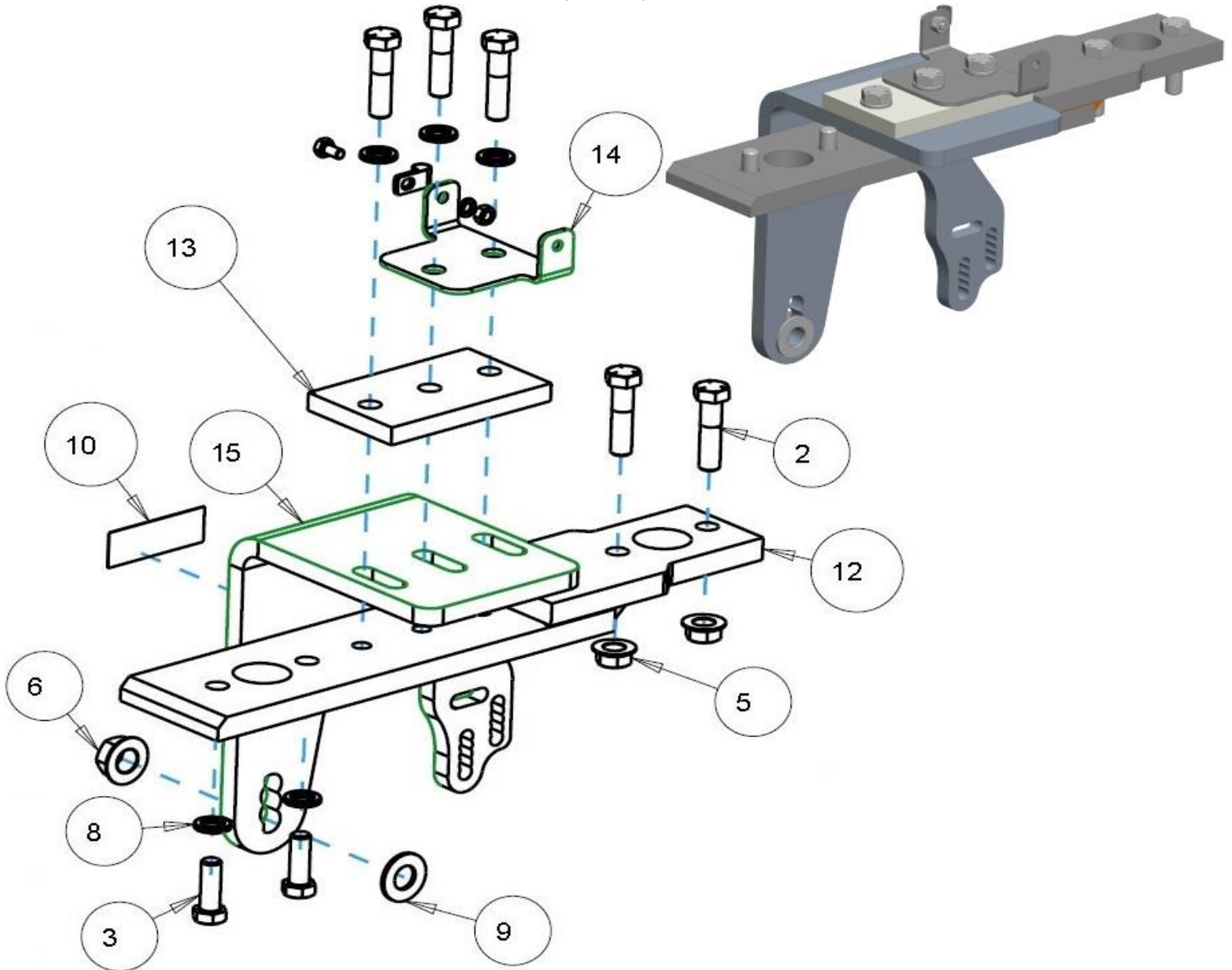
FOR JD 1700, 7200, & 7300



ITEM	PART #	DESCRIPTION	QTY
1	2502-104	¼ - 20 X ½ HHCS GRADE 5	1
2	2502-351	½ - 13 X 2 HHCS GRADE 5	5
3	2502-379	M12 X 1.75 X 35 GRADE 10.9	2
4	2520-151	¼ - 20 HEX NUT	1
5	2520-361	½ - 13 FLANGE WHIZ LOCK HEX NUT, GRADE 5	2
6	2520-465	5/8 - 11 WHIZ LOCK HEX NUT, GRADE 8	1
7	2525-151	¼ LOCK WASHER	1
8	2525-352	½ LOCK WASHER	5
9	2526-454	5/8 SAE FLAT WASHER HARDENED	1
10	2565-179	YETTER DECAL	1
11	2570-724	3/8 HOSE P-CLIP WITH VINYL CUSHION	1
12	2968-222	FERTILIZER CLOSE WHEEL MOUNT	1
13	2968-361	ARM CLAMP	1
14	2968-363	FORMED HOSE HOLDER	1
15	2968-470-LH	LEFT HAND SHORT FERTILIZER WHEEL MOUNT	1

2968-020B-R-LB PARTS IDENTIFICATION

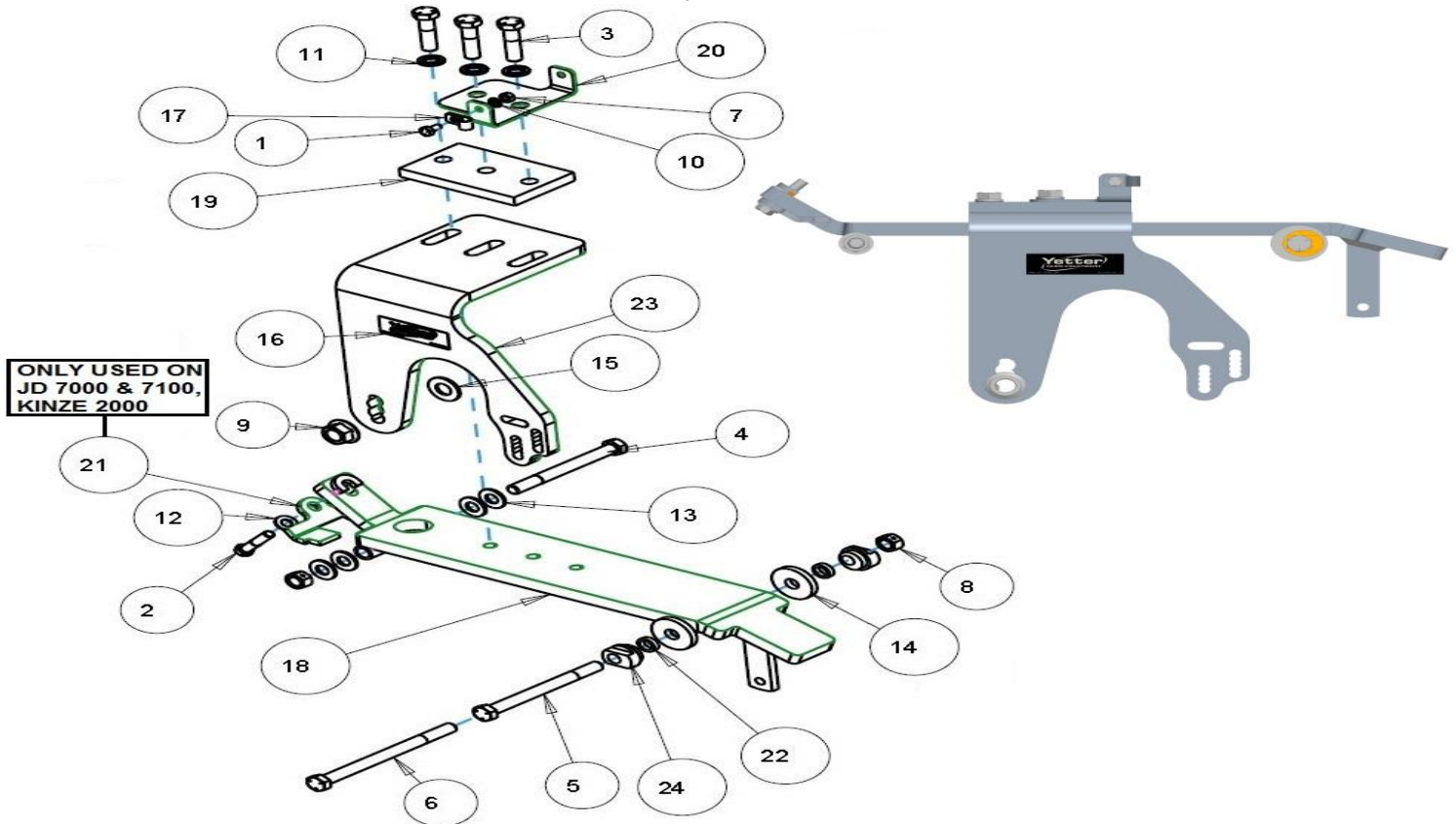
FOR JD 1700, 7200, & 7300



ITEM	PART #	DESCRIPTION	QTY
1	2502-104	¼ - 20 X ½ HHCS GRADE 5	1
2	2502-351	½ - 13 X 2 HHCS GRADE 5	5
3	2502-379	M12 X 1.75 X 35 GRADE 10.9	2
4	2520-151	¼ - 20 HEX NUT	1
5	2520-361	½ - 13 FLANGE WHIZ LOCK HEX NUT, GRADE 5	2
6	2520-465	5/8 - 11 WHIZ LOCK HEX NUT, GRADE 8	1
7	2525-151	¼ LOCK WASHER	1
8	2525-352	½ LOCK WASHER	5
9	2526-454	5/8 SAE FLAT WASHER HARDENED	1
10	2565-179	YETTER DECAL	1
11	2570-724	3/8 HOSE P-CLIP WITH VINYL CUSHION	1
12	2968-222	FERTILIZER CLOSE WHEEL MOUNT	1
13	2968-361	ARM CLAMP	1
14	2968-363	FORMED HOSE HOLDER	1
15	2968-470-RH	RIGHT HAND SHORT FERTILIZER WHEEL MOUNT	1

2968-021B-L-LB PARTS IDENTIFICATION

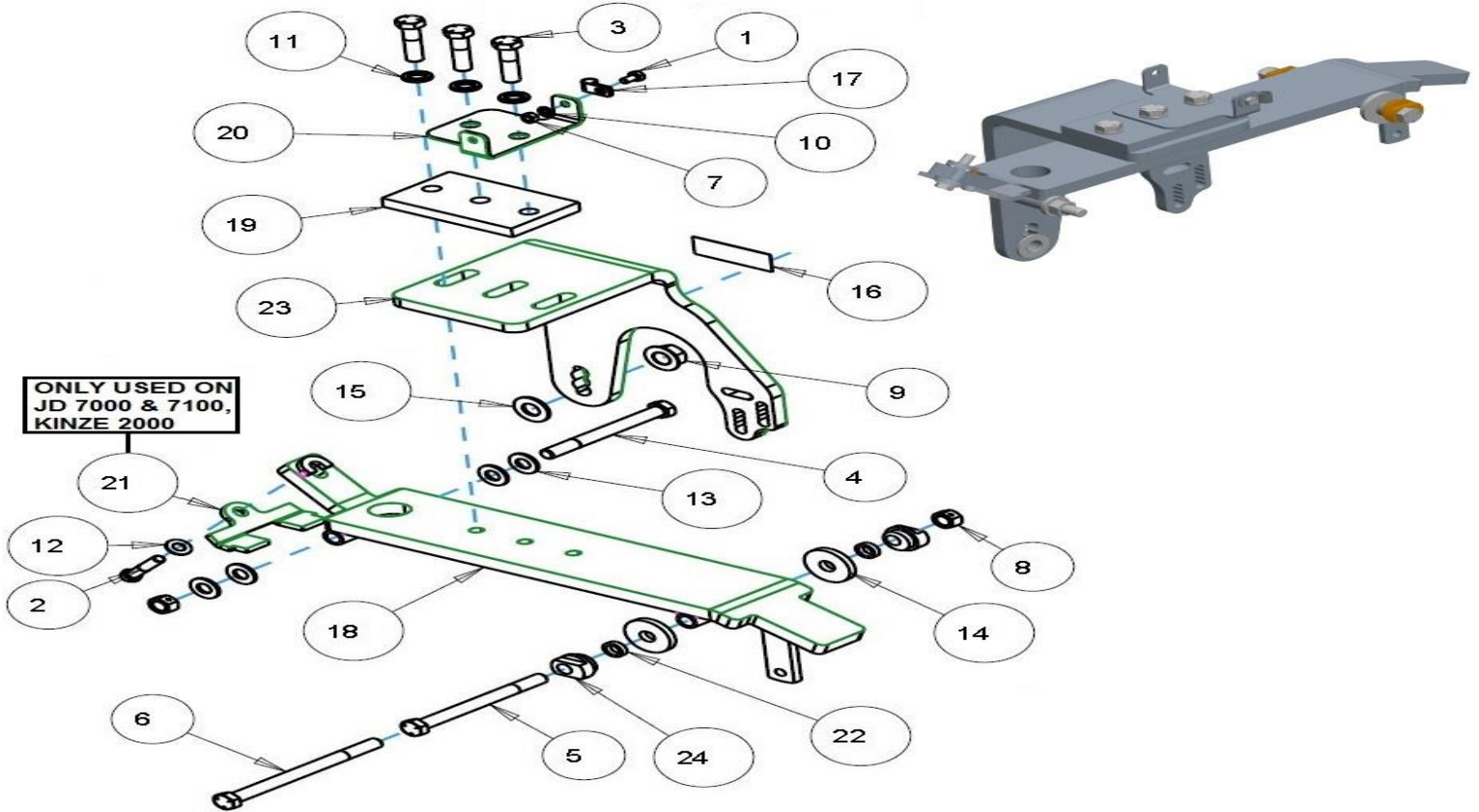
FOR JD 7000 & 7100, KINZE 2000 & 3000



ITEM	PART #	DESCRIPTION	QTY
1	2502-104	¼ - 20 X ½ HHCS GRADE 5	1
2	2502-232	3/8 - 16 X 1 ½ HHCS GRADE 5 (USED ON KINZE 3000)	1
	2502-245	3/8 - 16 1 ¾ HHCS GRADE 5 (USED ON JD 7000 & 7100, KINZE 2000)	1
3	2502-351	½ - 13 X 2 HHCS GRADE 5	3
4	2502-362	½ - 13 X 5 HHCS GRADE 5	1
5	2502-368	½ - 13 X 5 ½ HHCS GRADE 5	1
6	2502-372	½ - 13 X 6 ½ HHCS GRADE 5	1
7	2520-151	¼ - 20 HEX NUT	1
8	2520-357	½ - 13 LOCK HEX NUT, GRADE A,	2
9	2520-465	5/8 - 11 WHIZ LOCK HEX NUT, GRADE 8	1
10	2525-151	¼ LOCK WASHER	1
11	2525-352	½ LOCK WASHER	3
12	2526-253	3/8 SAE FLAT WASHER	1
13	2526-352	½ SAE FLAT WASHER	4
14	2526-402	9/16ID X 1 ¾OD X ¼ MACHINE WASHER	2
15	2526-454	5/8 SAE FLAT WASHER HARDENED	1
16	2565-179	YETTER DECAL	1
17	2570-724	3/8 HOSE P-CLIP WITH VINYL CUSHION	1
18	2968-223	FERTILIZER CLOSE WHEEL MOUNT	1
19	2968-361	ARM CLAMP	1
20	2968-363	FORMED HOSE HOLDER	1
21	2968-370	GAUGE WHEEL ARM STOP (ONLY USED ON JD 7000 & 7100, KINZE 2000)	1
22	2968-373	SPACER	2
23	2968-470-LH	SHORT FERT. WHEEL MOUNT, LEFT HAND	1
24	6000-523	ECCENTRIC BUSHING CLOSE WHEEL	2

2968-021B-R-LB PARTS IDENTIFICATION

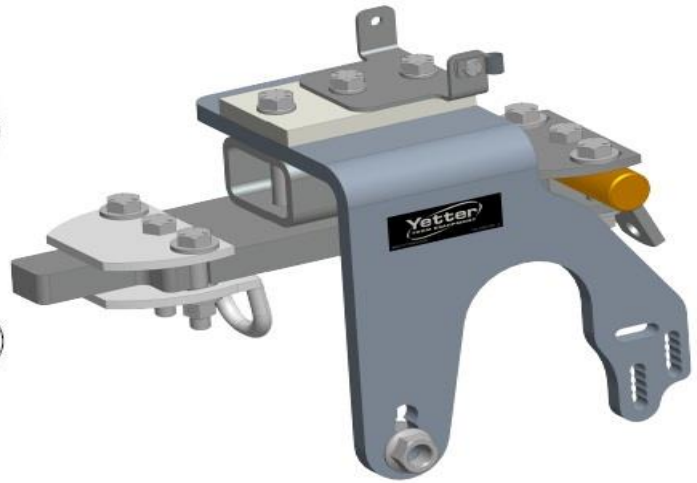
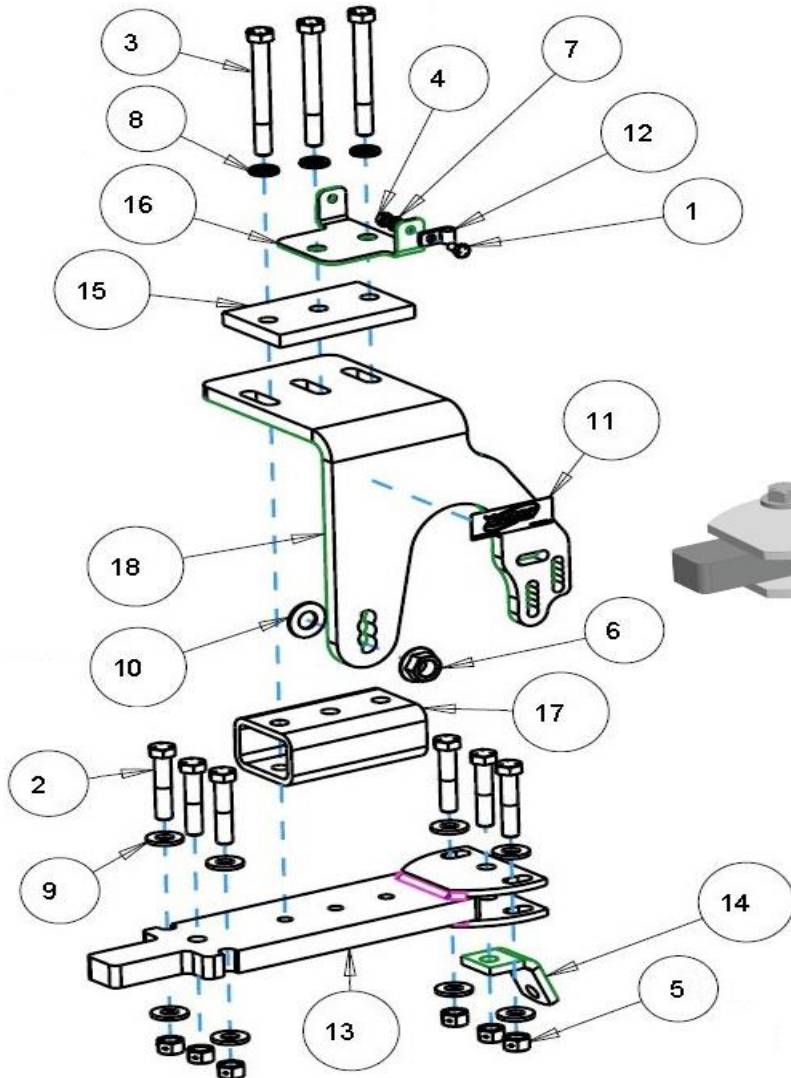
FOR JD 7000 & 7100, KINZE 2000 & 3000



ITEM	PART #	DESCRIPTION	QTY
1	2502-104	¼ - 20 X ½ HHCS GRADE 5	1
2	2502-232	3/8 - 16 X 1 ½ HHCS GRADE 5 (USED ON KINZE 3000)	1
	2502-245	3/8 - 16 1 ¼ HHCS GRADE 5 (USED ON JD 7000 & 7100, KINZE 2000)	1
3	2502-351	½ - 13 X 2 HHCS GRADE 5	3
4	2502-362	½ - 13 X 5 HHCS GRADE 5	1
5	2502-368	½ - 13 X 5 ½ HHCS GRADE 5	1
6	2502-372	½ - 13 X 6 ½ HHCS GRADE 5	1
7	2520-151	¼ - 20 HEX NUT	1
8	2520-357	½ - 13 LOCK HEX NUT, GRADE A	2
9	2520-465	5/8 - 11 WHIZ LOCK HEX NUT, GRADE 8	1
10	2525-151	¼ LOCK WASHER	1
11	2525-352	½ LOCK WASHER	3
12	2526-253	3/8 SAE FLAT WASHER	1
13	2526-352	½ SAE FLAT WASHER	4
14	2526-402	9/16ID X 1 ¾OD X ¼ MACHINE WASHER	2
15	2526-454	5/8 SAE FLAT WASHER HARDENED	1
16	2565-179	YETTER DECAL	1
17	2570-724	3/8 HOSE P-CLIP WITH VINYL CUSHION	1
18	2968-223	FERTILIZER CLOSE WHEEL MOUNT	1
19	2968-361	ARM CLAMP	1
20	2968-363	FORMED HOSE HOLDER	1
21	2968-370	GAUGE WHEEL ARM STOP (ONLY USED ON JD 7000 & 7100, KINZE 2000)	1
22	2968-373	SPACER	2
23	2968-470-RH	SHORT FERT. WHEEL MOUNT, RIGHT HAND	1
24	6000-523	ECCENTRIC BUSHING CLOSE WHEEL	2

2968-022B-L-LB PARTS IDENTIFICATION

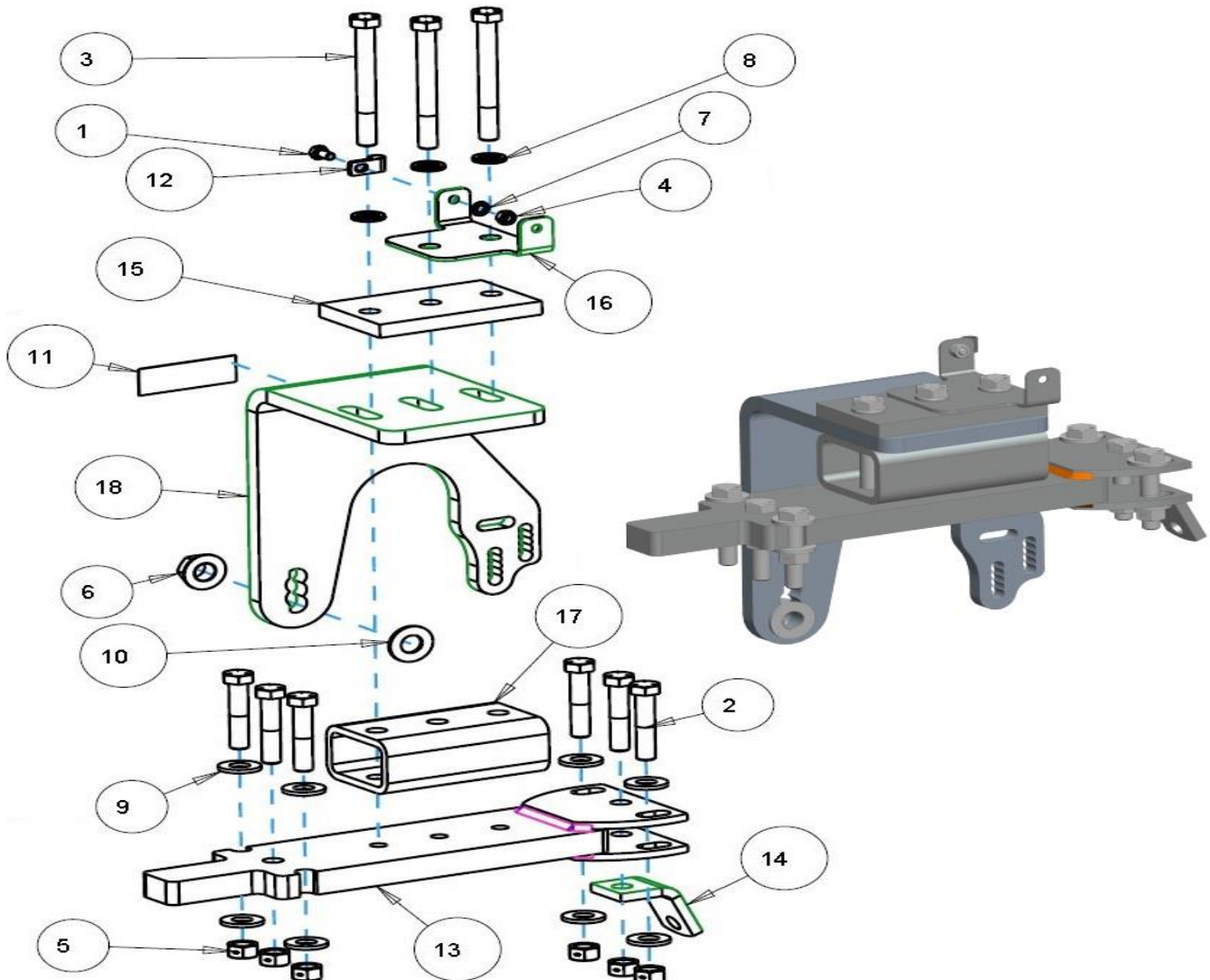
WHITE 8000



ITEM	PART #	DESCRIPTION	QTY
1	2502-104	¼ - 20 X ½ HHCS GRADE 5	1
2	2502-296	½ - 13 X 2 ½ HHCS GRADE 5	6
3	2502-314	½ - 13 X 2 ¼ HHCS GRADE 5	3
4	2520-151	¼ - 20 HEX NUT	1
5	2520-357	½ - 13 LOCK HEX NUT, GRADE A	6
6	2520-465	5/8 - 11 WHIZ LOCK HEX NUT, GRADE 8	1
7	2525-151	¼ LOCK WASHER	1
8	2525-352	½ LOCK WASHER	3
9	2526-355	½ FLAT WASHER HARDENED	8
10	2526-454	5/8 SAE FLAT WASHER HARDENED	1
11	2565-179	YETTER DECAL	1
12	2570-724	3/8 HOSE P-CLIP WITH VINYL CUSHION	1
13	2968-224	FERTILIZER CLOSE WHEEL MOUNT	1
14	2968-334	SPRING ANCHOR TAB	1
15	2968-361	ARM CLAMP	1
16	2968-363	FORMED HOSE HOLDER	1
17	2968-469	2" ARM SPACER	1
18	2968-470-LH	LEFT HAND SHORT FERTILIZER WHEEL MOUNT	1

2968-022B-R-LB PARTS IDENTIFICATION

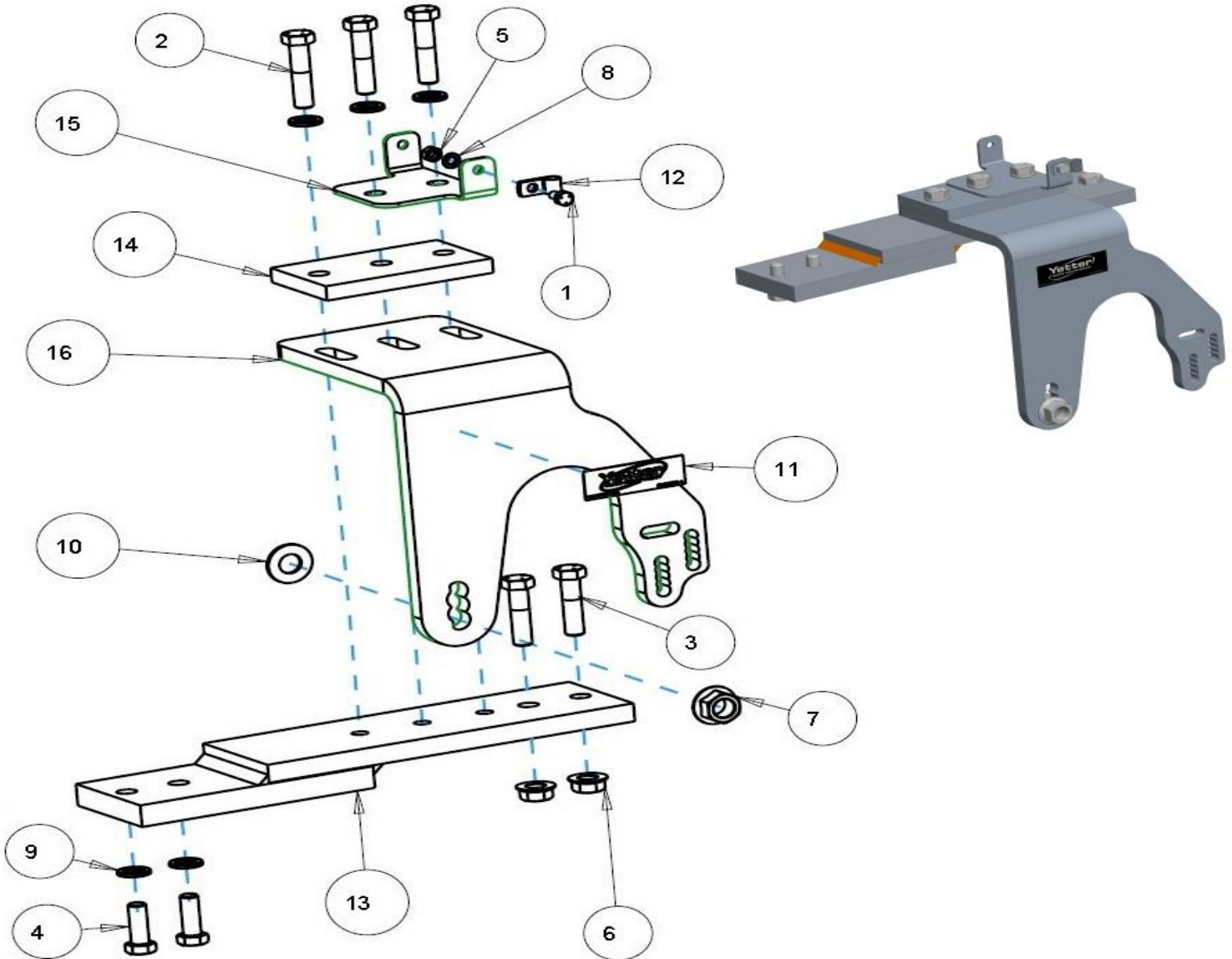
WHITE 8000



ITEM	PART #	DESCRIPTION	QTY
1	2502-104	¼ - 20 X ½ HHCS GRADE 5	1
2	2502-296	½ - 13 X 2 ½ HHCS GRADE 5	6
3	2502-314	½ - 13 X 2 ¼ HHCS GRADE 5	3
4	2520-151	¼ - 20 HEX NUT	1
5	2520-357	½ - 13 LOCK HEX NUT, GRADE A	6
6	2520-465	5/8 – 11 WHIZ LOCK HEX NUT, GRADE 8	1
7	2525-151	¼ LOCK WASHER	1
8	2525-352	½ LOCK WASHER	3
9	2526-355	½ FLAT WASHER HARDENED	8
10	2526-454	5/8 SAE FLAT WASHER HARDENED	1
11	2565-179	YETTER DECAL	1
12	2570-724	3/8 HOSE P-CLIP WITH VINYL CUSHION	1
13	2968-224	FERTILIZER CLOSE WHEEL MOUNT	1
14	2968-334	SPRING ANCHOR TAB	1
15	2968-361	ARM CLAMP	1
16	2968-363	FORMED HOSE HOLDER	1
17	2968-469	2" ARM SPACER	1
18	2968-470-RH	RIGHT HAND SHORT FERTILIZER WHEEL MOUNT	1

2968-025B-L-LB PARTS IDENTIFICATION

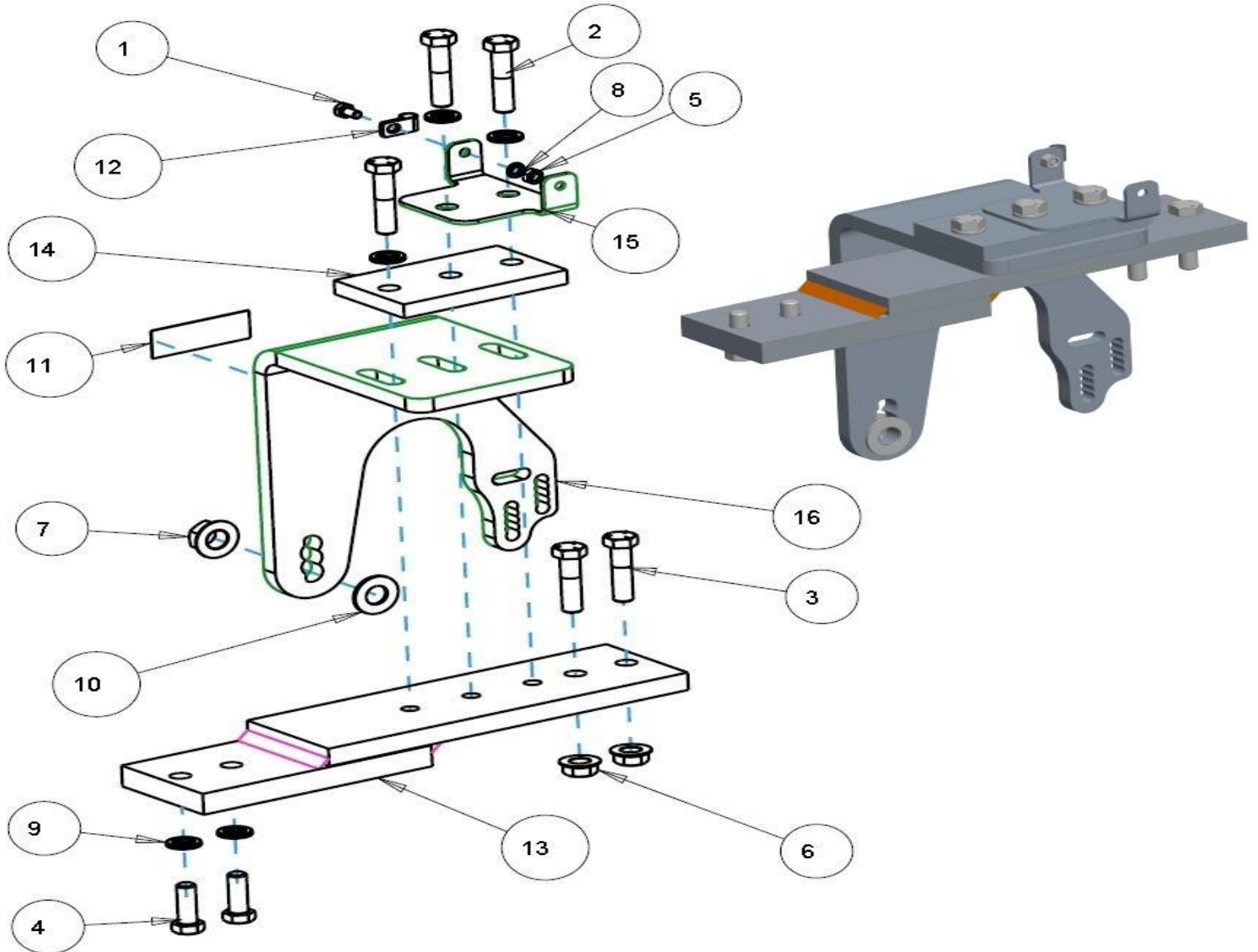
WHITE 9000



ITEM	PART #	DESCRIPTION	QTY
1	2502-104	¼ - 20 X ½ HHCS GRADE 5	1
2	2502-314	½ - 13 X 2 ¼ HHCS GRADE 5	3
3	2502-351	½ - 13 X 2 HHCS GRADE 5	2
4	2502-379	M12 X 1.75 X 35 GRADE 10.9	2
5	2520-151	¼ - 20 HEX NUT	1
6	2520-361	½ - 13 FLANGE WHIZLOCK HEX NUT, GRADE A	2
7	2520-465	5/8 - 11 WHIZ LOCK HEX NUT, GRADE 8	1
8	2525-151	¼ LOCK WASHER	1
9	2525-352	½ LOCK WASHER	5
10	2526-454	5/8 SAE FLAT WASHER HARDENED	1
11	2565-179	YETTER DECAL	1
12	2570-724	3/8 HOSE P-CLIP WITH VINYL CUSHION	1
13	2968-220	FERTILIZER CLOSE WHEEL MOUNT	1
14	2968-361	ARM CLAMP	1
15	2968-363	FORMED HOSE HOLDER	1
16	2968-470-LH	LEFT HAND SHORT FERTILIZER WHEEL MOUNT	1

2968-025B-R-LB PARTS IDENTIFICATION

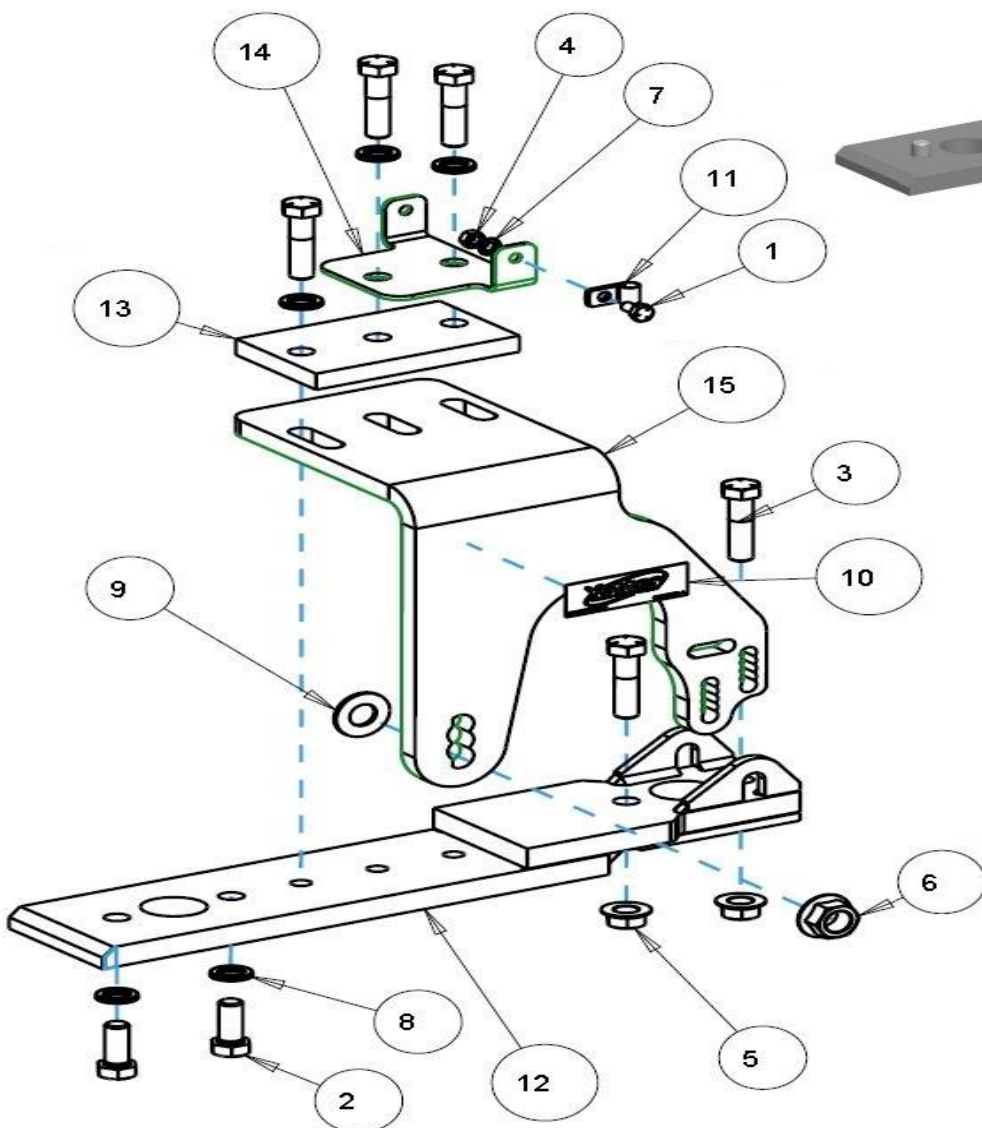
WHITE 9000



ITEM	PART #	DESCRIPTION	QTY
1	2502-104	¼ - 20 X ½ HHCS GRADE 5	1
2	2502-314	½ - 13 X 2 ¼ HHCS GRADE 5	3
3	2502-351	½ - 13 X 2 HHCS GRADE 5	2
4	2502-379	M12 X 1.75 X 35 GRADE 10.9	2
5	2520-151	¼ - 20 HEX NUT	1
6	2520-361	½ - 13 FLANGE WHIZLOCK HEX NUT, GRADE A	2
7	2520-465	5/8 - 11 WHIZ LOCK HEX NUT, GRADE 8	1
8	2525-151	¼ LOCK WASHER	1
9	2525-352	½ LOCK WASHER	5
10	2526-454	5/8 SAE FLAT WASHER HARDENED	1
11	2565-179	YETTER DECAL	1
12	2570-724	3/8 HOSE P-CLIP WITH VINYL CUSHION	1
13	2968-220	FERTILIZER CLOSE WHEEL MOUNT	1
14	2968-361	ARM CLAMP	1
15	2968-363	FORMED HOSE HOLDER	1
16	2968-470-RH	RIGHT HAND SHORT FERTILIZER WHEEL MOUNT	1

2968-026A-L-LB PARTS IDENTIFICATION

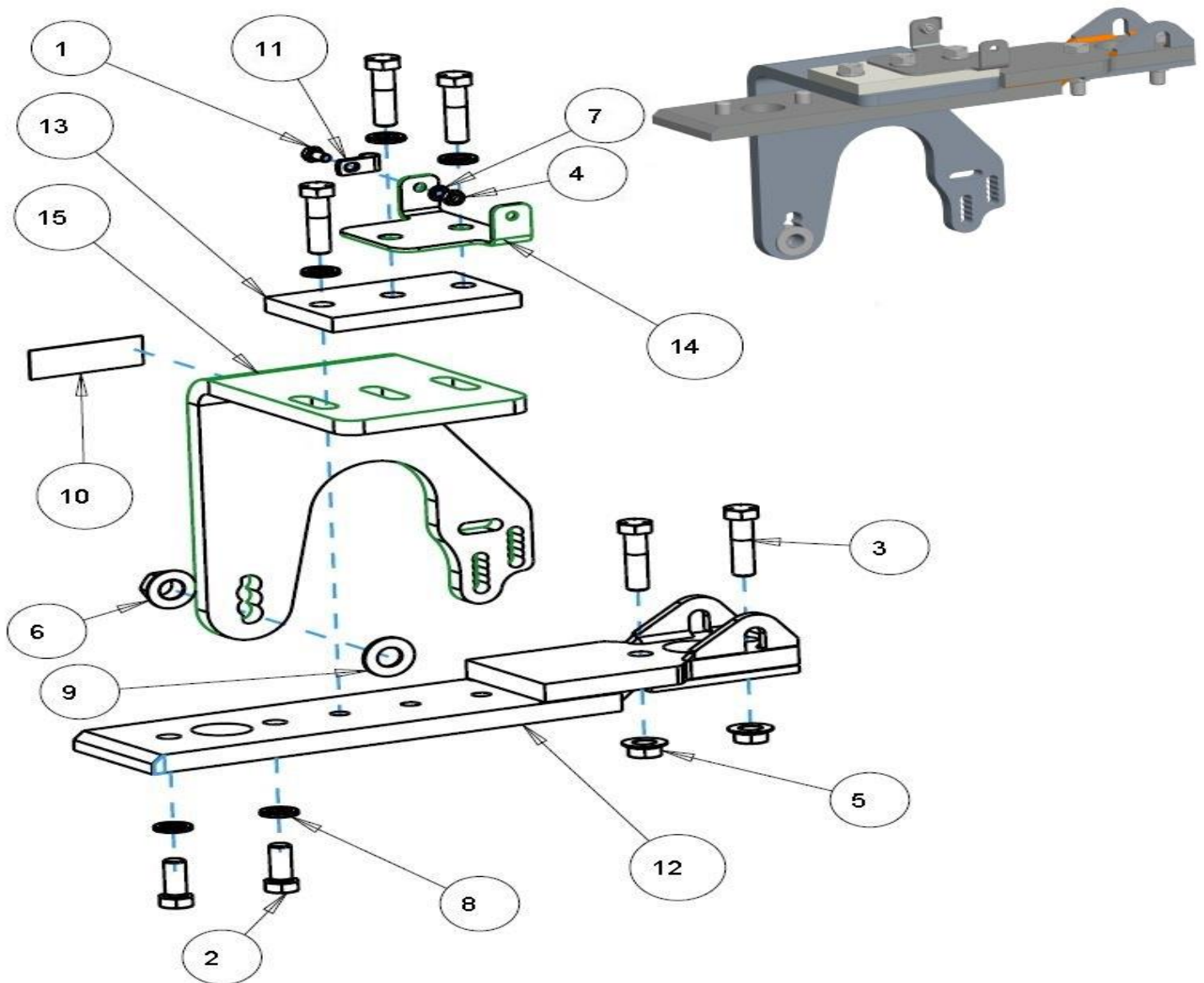
HARVEST INTERNATIONAL



ITEM	PART #	DESCRIPTION	QTY
1	2502-104	¼ - 20 X ½ HHCS GRADE 5	1
2	2502-293	½ - 13 X 1 ¼ HHCS GRADE 5	2
3	2502-351	½ - 13 X 2 HHCS GRADE 5	5
4	2520-151	¼ - 20 HEX NUT	1
5	2520-361	½ - 13 FLANGE WHIZ LOCK HEX NUT, GRADE 5	2
6	2520-465	5/8 - 11 WHIZ LOCK HEX NUT, GRADE 8	1
7	2525-151	¼ LOCK WASHER	1
8	2525-352	½ LOCK WASHER	5
9	2526-454	5/8 SAE FLAT WASHER HARDENED	1
10	2565-179	YETTER DECAL	1
11	2570-724	3/8 HOSE P-CLIP WITH VINYL CUSHION	1
12	2968-225	FERTILIZER CLOSE WHEEL MOUNT	1
13	2968-361	ARM CLAMP	1
14	2968-363	FORMED HOSE HOLDER	1
15	2968-470-LH	LEFT HAND SHORT FERTILIZER WHEEL MOUNT	1

2968-026A-R-LB PARTS IDENTIFICATION

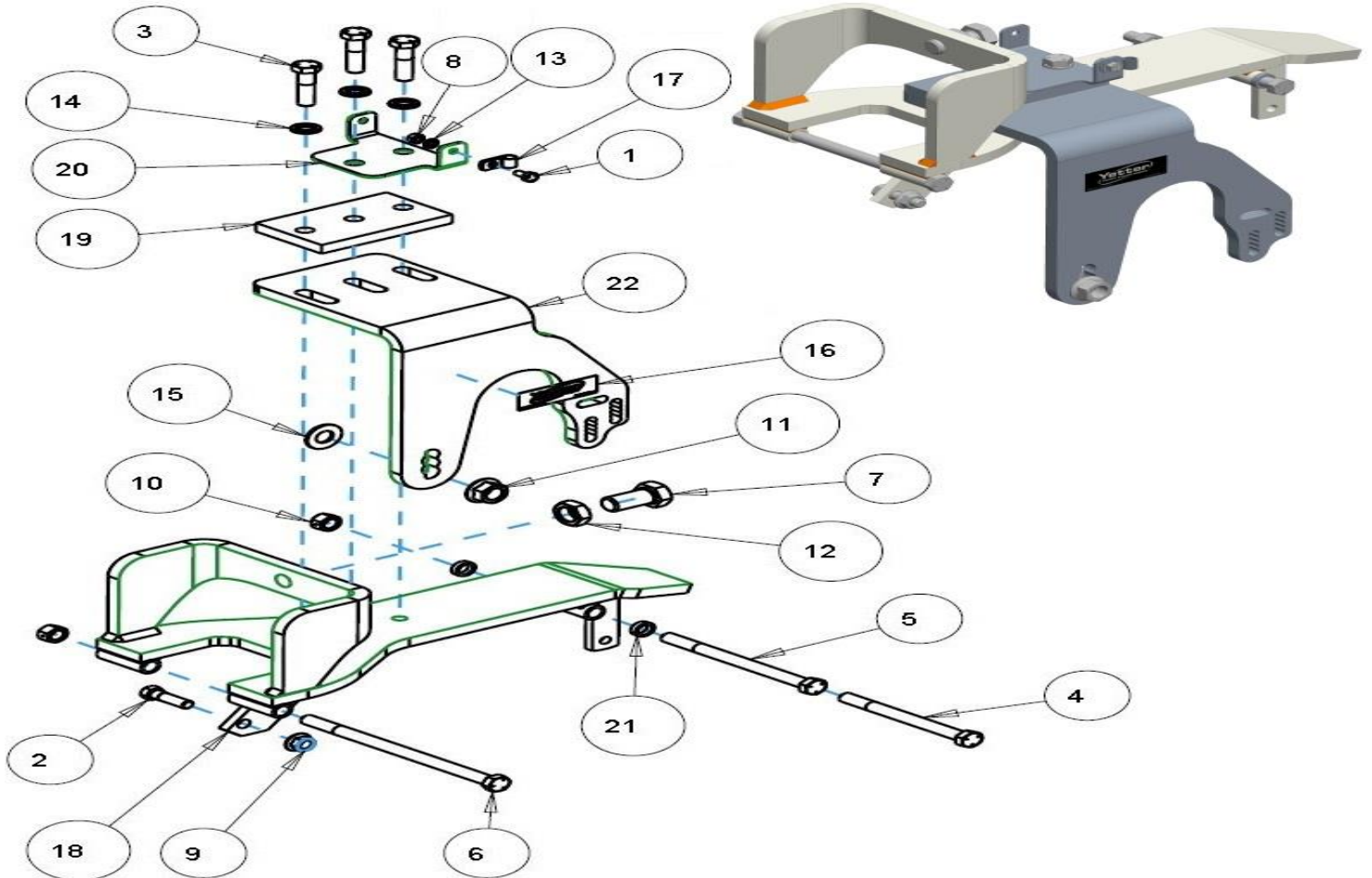
HARVEST INTERNATIONAL



ITEM	PART #	DESCRIPTION	QTY
1	2502-104	¼ - 20 X ½ HHCS GRADE 5	1
2	2502-293	½ - 13 X 1 ¼ HHCS GRADE 5	2
3	2502-351	½ - 13 X 2 HHCS GRADE 5	5
4	2520-151	¼ - 20 HEX NUT	1
5	2520-361	½ - 13 FLANGE WHIZ LOCK HEX NUT, GRADE 5	2
6	2520-465	5/8 - 11 WHIZ LOCK HEX NUT, GRADE 8	1
7	2525-151	¼ LOCK WASHER	1
8	2525-352	½ LOCK WASHER	5
9	2526-454	5/8 SAE FLAT WASHER HARDENED	1
10	2565-179	YETTER DECAL	1
11	2570-724	3/8 HOSE P-CLIP WITH VINYL CUSHION	1
12	2968-225	FERTILIZER CLOSE WHEEL MOUNT	1
13	2968-361	ARM CLAMP	1
14	2968-363	FORMED HOSE HOLDER	1
15	2968-470-RH	RIGHT HAND SHORT FERTILIZER WHEEL MOUNT	1

2968-027A-L-LB PARTS IDENTIFICATION

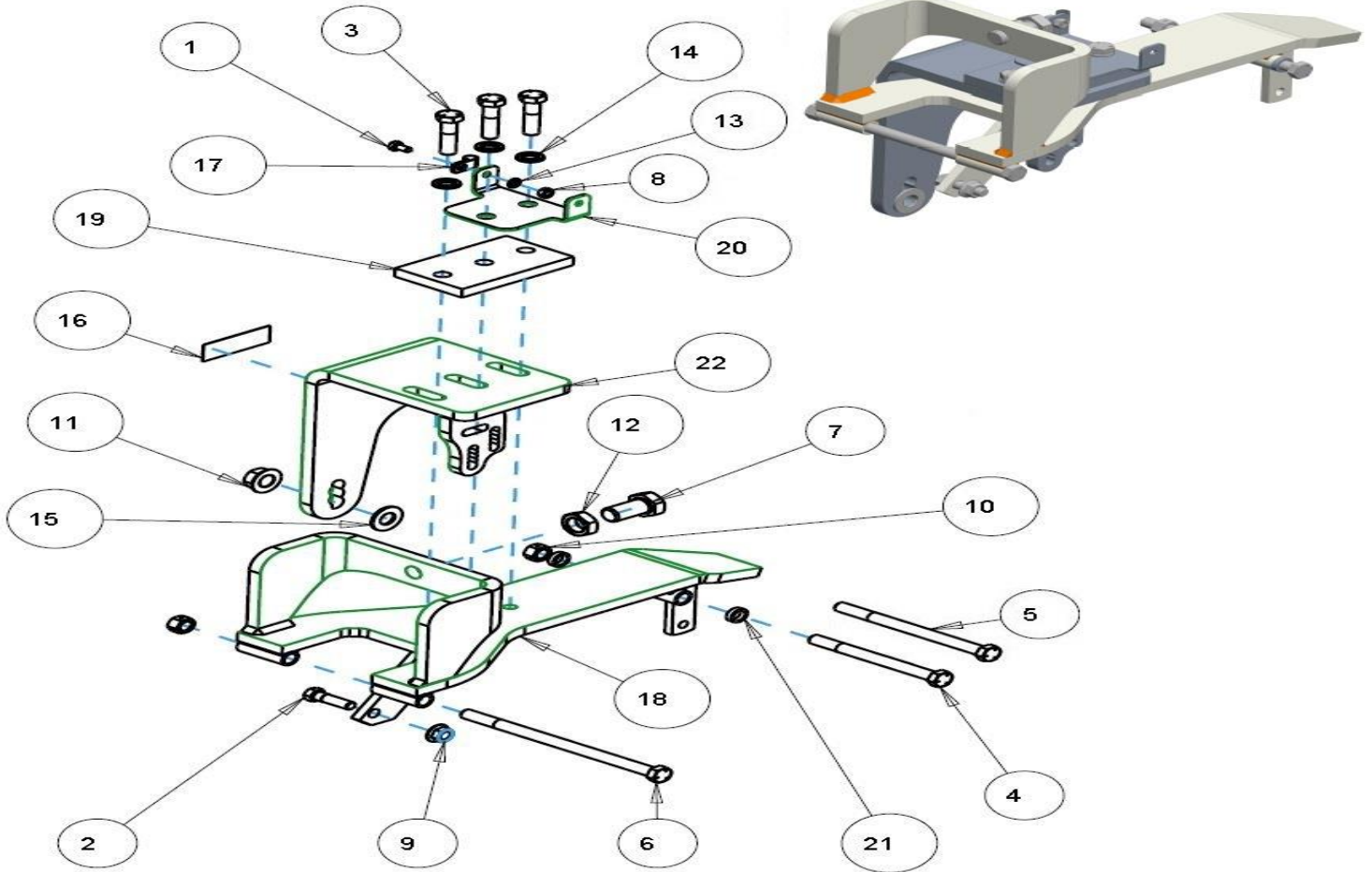
KINZE 4900



ITEM	PART #	DESCRIPTION	QTY
1	2502-104	¼ - 20 X ½ HHCS GRADE 5	1
2	2502-266	7/16 - 14 X 1 ½ HHCS GRADE 5	1
3	2502-351	½ - 13 X 2 HHCS GRADE 5	3
4	2502-368	½ - 13 X 5 ½ HHCS GRADE 5	1
5	2502-372	½ - 13 X 6 ½ HHCS GRADE 5	1
6	2502-375	½ - 13 X 8 ½ HHCS GRADE 5	1
7	2502-501	¾ - 10 X 1 ½ HHCS GRADE 5	1
8	2520-151	¼ - 20 HEX NUT	1
9	2520-307	7/16 - 14 FLANGE LOCK NUT	1
10	2520-357	½ - 13 LOCK HEX NUT, GRADE A	2
11	2520-465	5/8 - 11 WHIZ LOCK HEX NUT, GRADE 8	1
12	2520-502	¾ - 10 HEX JAM NUT, GRADE 2	1
13	2525-151	¼ LOCK WASHER	1
14	2525-352	½ LOCK WASHER	3
15	2526-454	5/8 SAE FLAT WASHER HARDENED	1
16	2565-179	YETTER DECAL	1
17	2570-724	3/8 HOSE P-CLIP WITH VINYL CUSHION	1
18	2968-228	FERTILIZER CLOSE WHEEL MOUNT	1
19	2968-361	ARM CLAMP	1
20	2968-363	FORMED HOSE HOLDER	1
21	2968-373	SPACER	2
22	2968-470-LH	LEFT HAND SHORT FERTILIZER WHEEL MOUNT	1

2968-027A-R-LB PARTS IDENTIFICATION

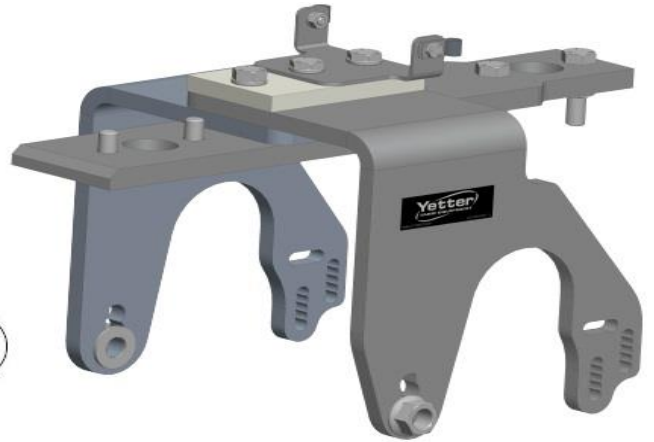
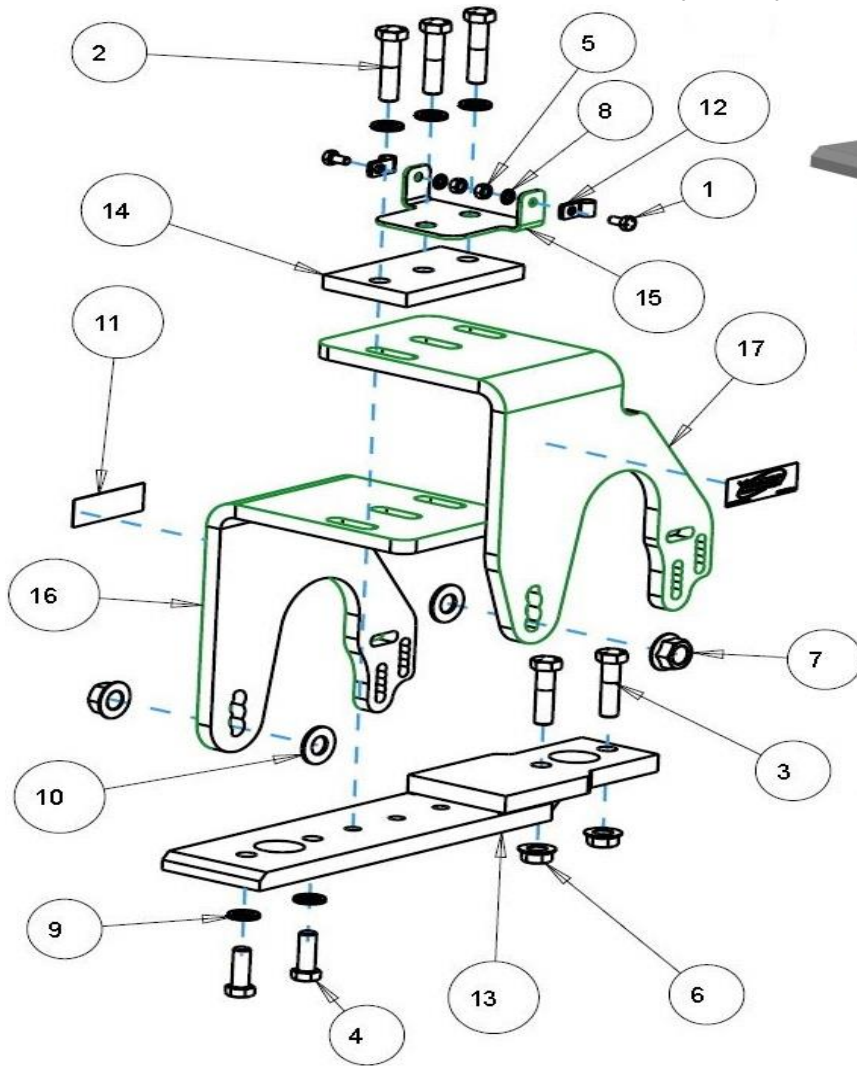
KINZE 4900



ITEM	PART #	DESCRIPTION	QTY
1	2502-104	¼ - 20 X ½ HHCS GRADE 5	1
2	2502-266	7/16 - 14 X 1 ½ HHCS GRADE 5	1
3	2502-351	½ - 13 X 2 HHCS GRADE 5	3
4	2502-368	½ - 13 X 5 ½ HHCS GRADE 5	1
5	2502-372	½ - 13 X 6 ½ HHCS GRADE 5	1
6	2502-375	½ - 13 X 8 ½ HHCS GRADE 5	1
7	2502-501	¾ - 10 X 1 ½ HHCS GRADE 5	1
8	2520-151	¼ - 20 HEX NUT	1
9	2520-307	7/16 - 14 FLANGE LOCK NUT	1
10	2520-357	½ - 13 LOCK HEX NUT, GRADE A	2
11	2520-465	5/8 - 11 WHIZ LOCK HEX NUT, GRADE 8	1
12	2520-502	¾ - 10 HEX JAM NUT, GRADE 2	1
13	2525-151	¼ LOCK WASHER	1
14	2525-352	½ LOCK WASHER	3
15	2526-454	5/8 SAE FLAT WASHER HARDENED	1
16	2565-179	YETTER DECAL	1
17	2570-724	3/8 HOSE P-CLIP WITH VINYL CUSHION	1
18	2968-228	FERTILIZER CLOSE WHEEL MOUNT	1
19	2968-361	ARM CLAMP	1
20	2968-363	FORMED HOSE HOLDER	1
21	2968-373	SPACER	2
22	2968-470-RH	RIGHT HAND SHORT FERTILIZER WHEEL MOUNT	1

2968-040A-LB PARTS IDENTIFICATION

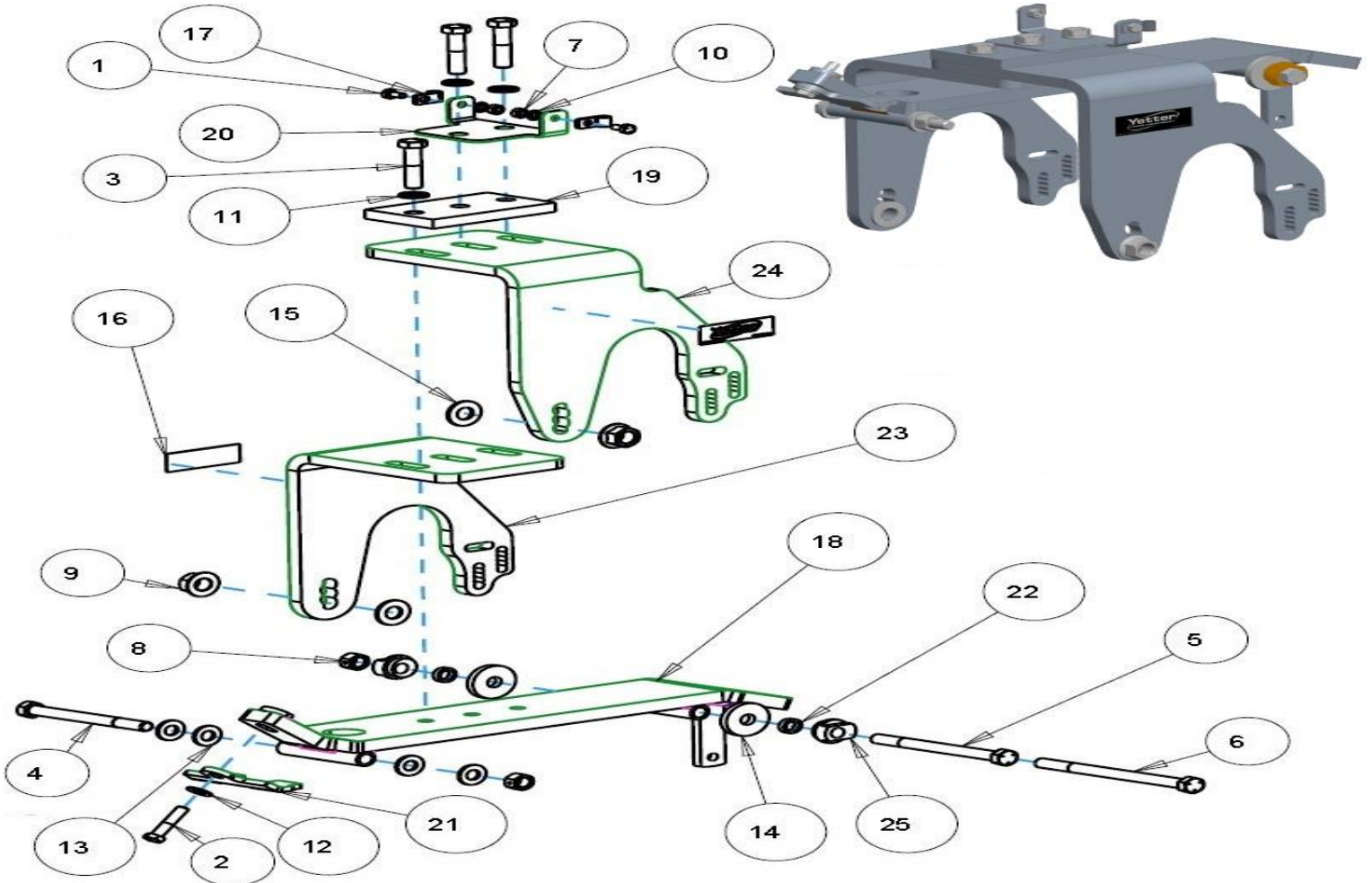
FOR JD 1700, 7200, & 7300



ITEM	PART #	DESCRIPTION	QTY
1	2502-104	¼ - 20 X ½ HHCS GRADE 5	2
2	2502-314	½ - 13 X 2 ¼ HHCS GRADE 5	3
3	2502-351	½ - 13 X 2 HHCS GRADE 5	2
4	2502-379	M12 X 1.75 X 35 GRADE 10.9	2
5	2520-151	¼ - 20 HEX NUT	2
6	2520-361	½ - 13 FLANGE WHIZ LOCK HEX NUT, GRADE 5	2
7	2520-465	5/8 - 11 WHIZ LOCK HEX NUT, GRADE 8	2
8	2525-151	¼ LOCK WASHER	2
9	2525-352	½ LOCK WASHER	5
10	2526-454	5/8 SAE FLAT WASHER HARDENED	2
11	2565-179	YETTER DECAL	2
12	2570-724	3/8 HOSE P-CLIP WITH VINYL CUSHION	2
13	2968-222	FERTILIZER CLOSE WHEEL MOUNT	2
14	2968-361	ARM CLAMP	1
15	2968-363	FORMED HOSE HOLDER	2
16	2968-470-RH	RIGHT HAND SHORT WHEEL MOUNT	1
17	2968-471-LH	LEFT HAND TALL WHEEL MOUNT	1

2968-041A-LB PARTS IDENTIFICATION

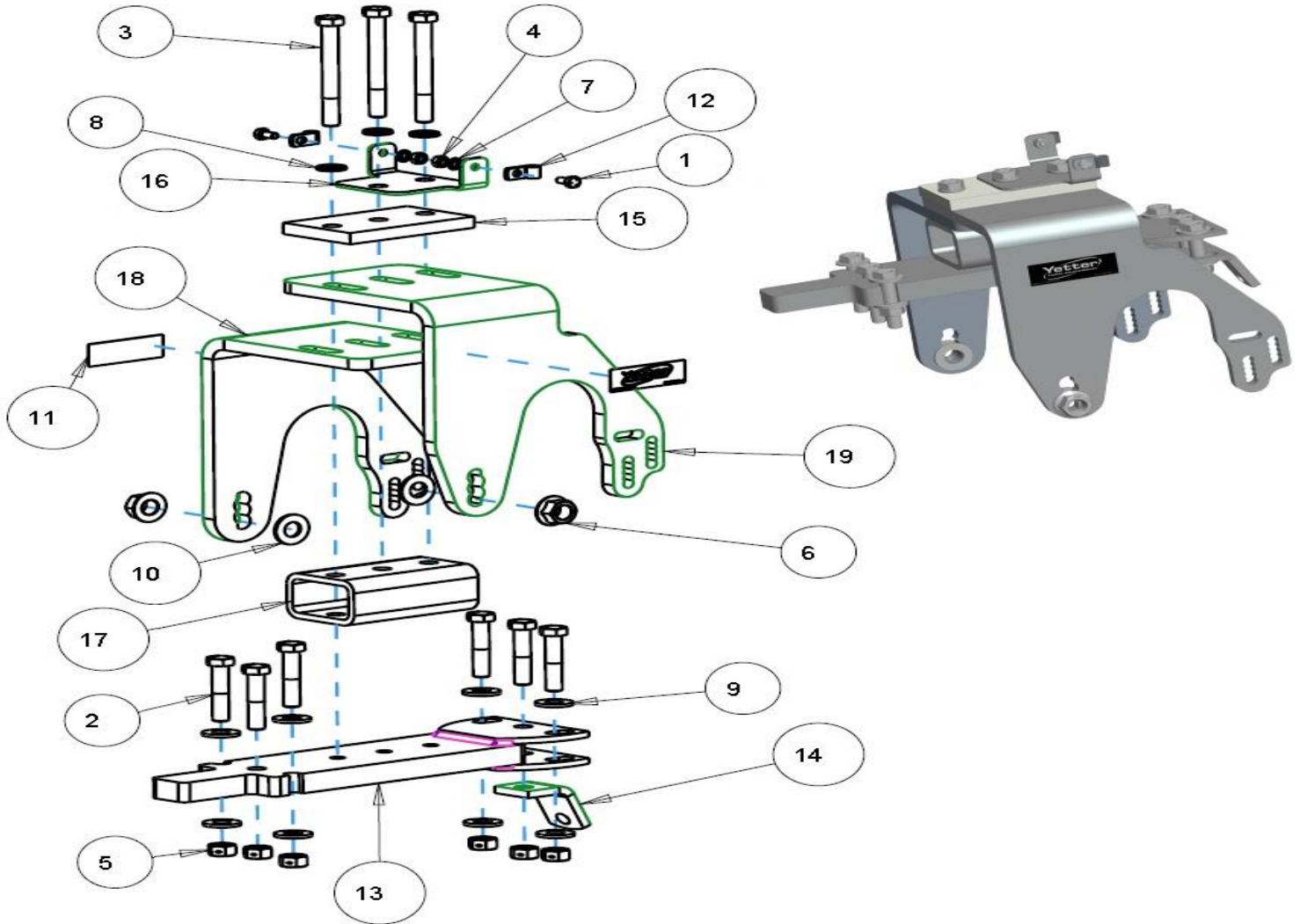
FOR JD 7000 & 7100, KINZE 2000 & 3000



ITEM	PART #	DESCRIPTION	QTY
1	2502-104	¼ - 20 X ½ HHCS GRADE 5	2
2	2502-232	3/8 - 16 X 1 ½ HHCS GRADE 5 (USED ON KINZE 3000)	1
	2502-245	3/8 - 16 1 ¼ HHCS GRADE 5 (USED ON JD 7000 & 7100, KINZE 2000)	1
3	2502-314	½ - 13 X 2 ¼ HHCS GRADE 5	3
4	2502-362	½ - 13 X 5 HHCS GRADE 5	1
5	2502-368	½ - 13 X 5 ½ HHCS GRADE 5	1
6	2502-372	½ - 13 X 6 ½ HHCS GRADE 5	1
7	2520-151	¼ - 20 HEX NUT	2
8	2520-357	½ - 13 LOCK HEX NUT, GRADE A	2
9	2520-465	5/8 - 11 WHIZ LOCK HEX NUT, GRADE 8	2
10	2525-151	¼ LOCK WASHER	2
11	2525-352	½ LOCK WASHER	3
12	2526-253	3/8 SAE FLAT WASHER	1
13	2526-352	½ SAE FLAT WASHER	4
14	2526-402	9/16ID X 1 ¼OD X ¼ MACHINE WASHER	2
15	2526-454	5/8 SAE FLAT WASHER HARDENED	2
16	2565-179	YETTER DECAL	2
17	2570-724	3/8 HOSE P-CLIP WITH VINYL CUSHION	2
18	2968-223	FERTILIZER CLOSE WHEEL MOUNT	1
19	2968-361	ARM CLAMP	1
20	2968-363	FORMED HOSE HOLDER	1
21	2968-370	GAUGE WHEEL ARM STOP (ONLY USED ON JD 7000 & 7100, KINZE 2000)	1
22	2968-373	SPACER	2
23	2968-470-RH	RIGHT HAND SHORT WHEEL MOUNT	1
24	2968-471-LH	LEFT HAND TALL WHEEL MOUNT	1
25	6000-523	ECCENTRIC BUSHING	2

2968-042A-LB PARTS IDENTIFICATION

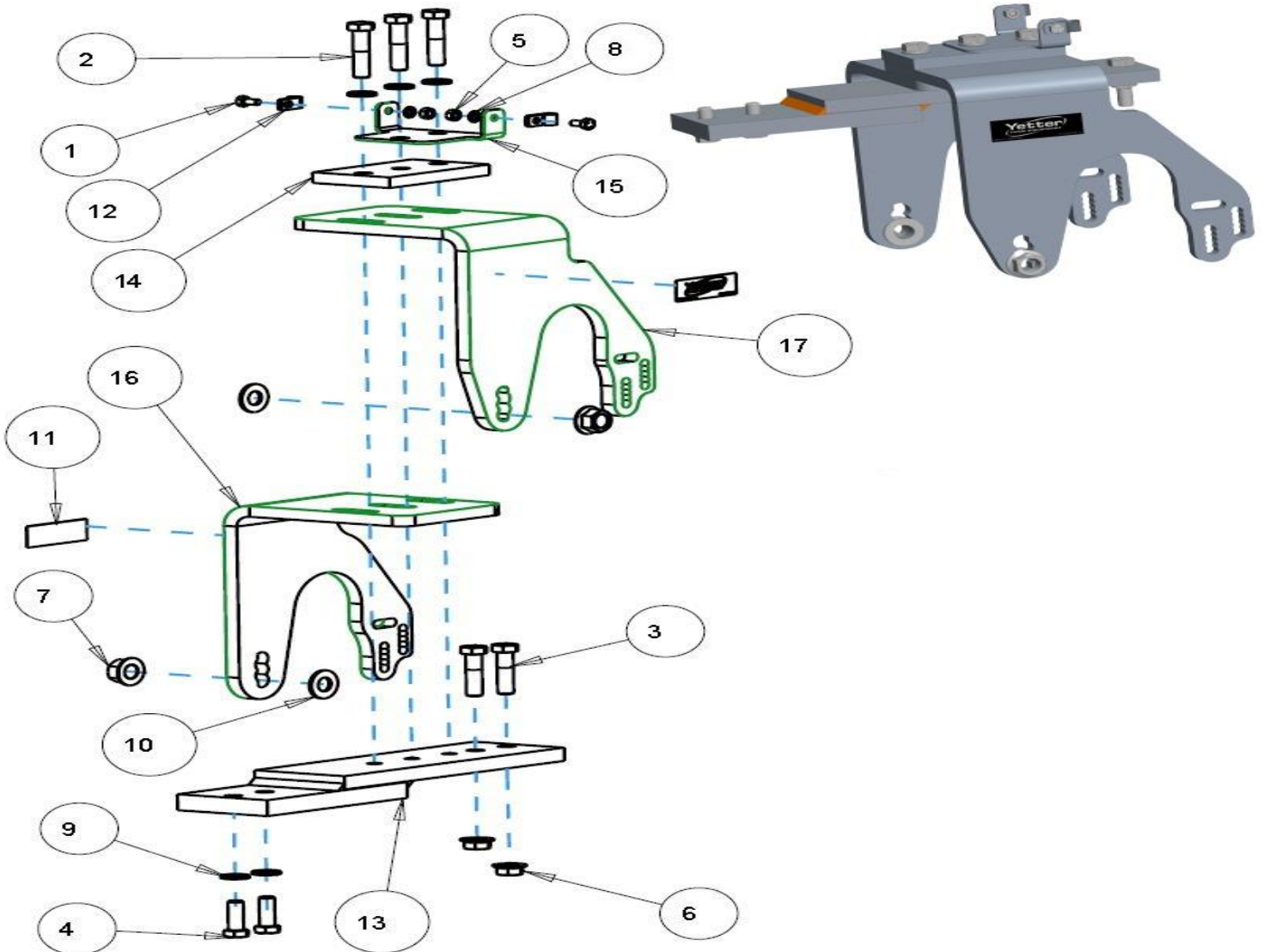
WHITE 8000



ITEM	PART #	DESCRIPTION	QTY
1	2502-104	¼ - 20 X ½ HHCS GRADE 5	2
2	2502-296	½ - 13 X 2 ½ HHCS GRADE 5	6
3	2502-361	½ - 13 X 4 ½ HHCS GRADE 5	3
4	2520-151	¼ - 20 HEX NUT	2
5	2520-357	½ - 13 LOCK HEX NUT, GRADE A	6
6	2520-465	5/8 - 11 WHIZ LOCK HEX NUT, GRADE 8	2
7	2525-151	¼ LOCK WASHER	2
8	2525-352	½ LOCK WASHER	3
9	2526-355	½ FLAT WASHER HARDENED	8
10	2526-454	5/8 SAE FLAT WASHER HARDENED	2
11	2565-179	YETTER DECAL	2
12	2570-724	3/8 HOSE P-CLIP WITH VINYL CUSHION	2
13	2968-224	FERTILIZER CLOSE WHEEL MOUNT	1
14	2968-334	SPRING ANCHOR MOUNT TAB	1
15	2968-361	ARM CLAMP	1
16	2968-363	FORMED HOSE HOLDER	2
17	2968-469	2" ARM SPACER	1
18	2968-470-RH	RIGHT HAND SHORT WHEEL MOUNT	1
19	2968-471-LH	LEFT HAND TALL WHEEL MOUNT	1

2968-043A-LB PARTS IDENTIFICATION

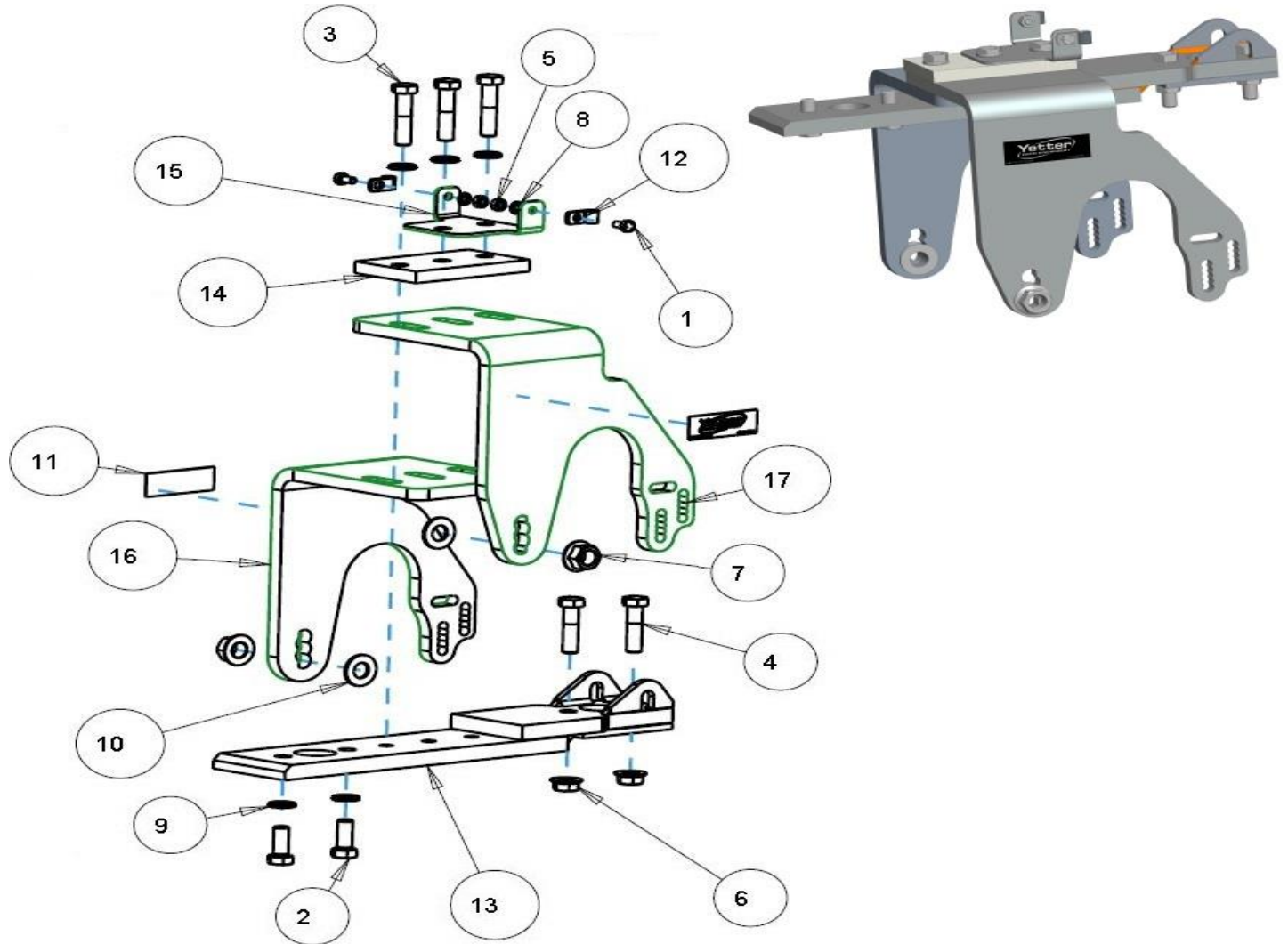
WHITE 9000



ITEM	PART #	DESCRIPTION	QTY
1	2502-104	¼ - 20 X ½ HHCS GRADE 5	2
2	2502-314	½ - 13 X 2 ¼ HHCS GRADE 5	3
3	2502-351	½ - 13 X 2 HHCS GRADE 5	2
4	2502-379	M12 X 1.75 X 35 GRADE 10.9	2
5	2520-151	¼ - 20 HEX NUT	2
6	2520-361	½ - 13 FLANGE WHIZLOCK HEX NUT, GRADE A	2
7	2520-465	5/8 - 11 WHIZ LOCK HEX NUT, GRADE 8	2
8	2525-151	¼ LOCK WASHER	2
9	2525-352	½ LOCK WASHER	5
10	2526-454	5/8 SAE FLAT WASHER HARDENED	2
11	2565-179	YETTER DECAL	2
12	2570-724	3/8 HOSE P-CLIP WITH VINYL CUSHION	2
13	2968-220	FERTILIZER CLOSE WHEEL MOUNT	1
14	2968-361	ARM CLAMP	1
15	2968-363	FORMED HOSE HOLDER	1
16	2968-470-RH	RIGHT HAND SHORT WHEEL MOUNT	1
17	2968-471-LH	LEFT HAND TALL WHEEL MOUNT	1

2968-044A-LB PARTS IDENTIFICATION

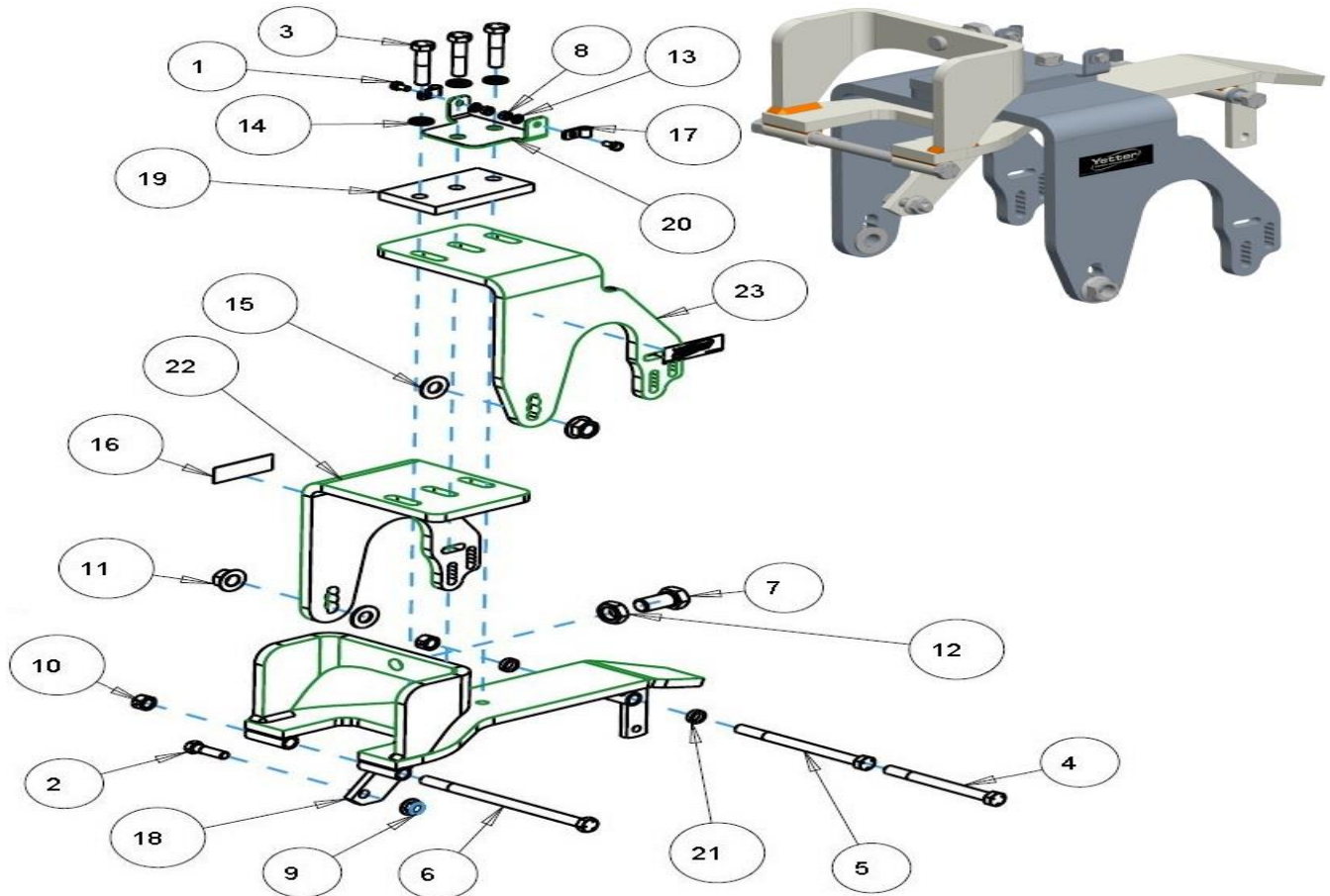
HARVEST INTERNATIONAL



ITEM	PART #	DESCRIPTION	QTY
1	2502-104	¼ - 20 X ½ HHCS GRADE 5	2
2	2502-293	½ - 13 X 1 ¼ HHCS GRADE 5	2
3	2502-314	½ - 13 2 ¼ HHCS GRADE 5	3
4	2502-351	½ - 13 X 2 HHCS GRADE 5	2
5	2520-151	¼ - 20 HEX NUT	2
6	2520-361	½ - 13 FLANGE WHIZ LOCK HEX NUT, GRADE 5	2
7	2520-465	5/8 - 11 WHIZ LOCK HEX NUT, GRADE 8	2
8	2525-151	¼ LOCK WASHER	2
9	2525-352	½ LOCK WASHER	5
10	2526-454	5/8 SAE FLAT WASHER HARDENED	2
11	2565-179	YETTER DECAL	2
12	2570-724	3/8 HOSE P-CLIP WITH VINYL CUSHION	2
13	2968-225	FERTILIZER CLOSE WHEEL MOUNT	1
14	2968-361	ARM CLAMP	1
15	2968-363	FORMED HOSE HOLDER	1
16	2968-470-RH	RIGHT HAND SHORT WHEEL MOUNT	1
17	2968-471-LH	LEFT HAND TALL WHEEL MOUNT	1

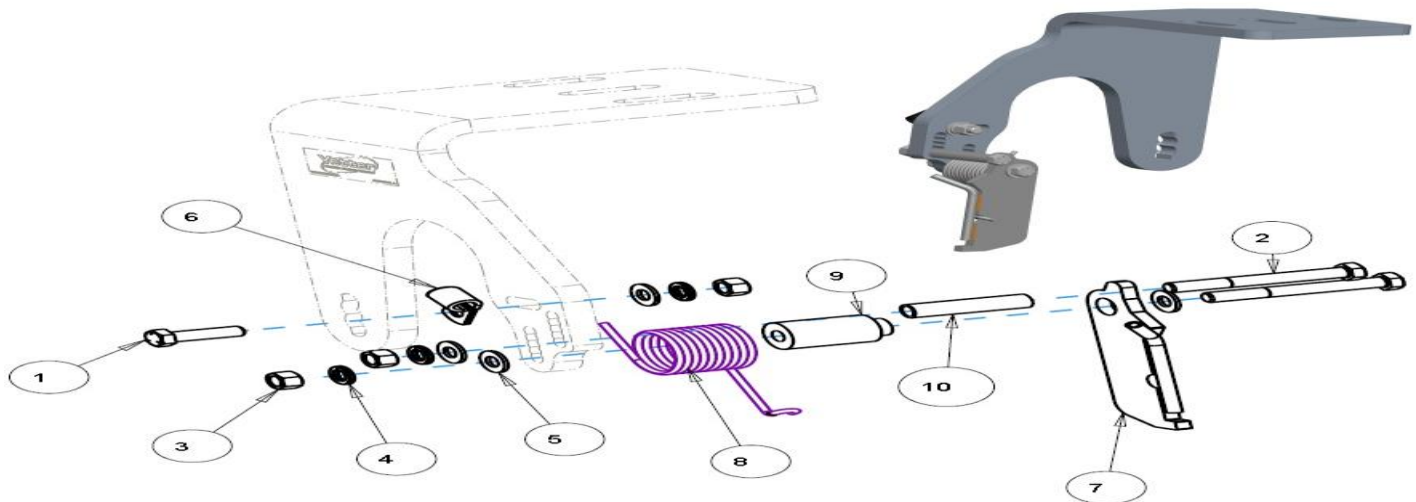
2968-045A-LB PARTS IDENTIFICATION

KINZE 4900



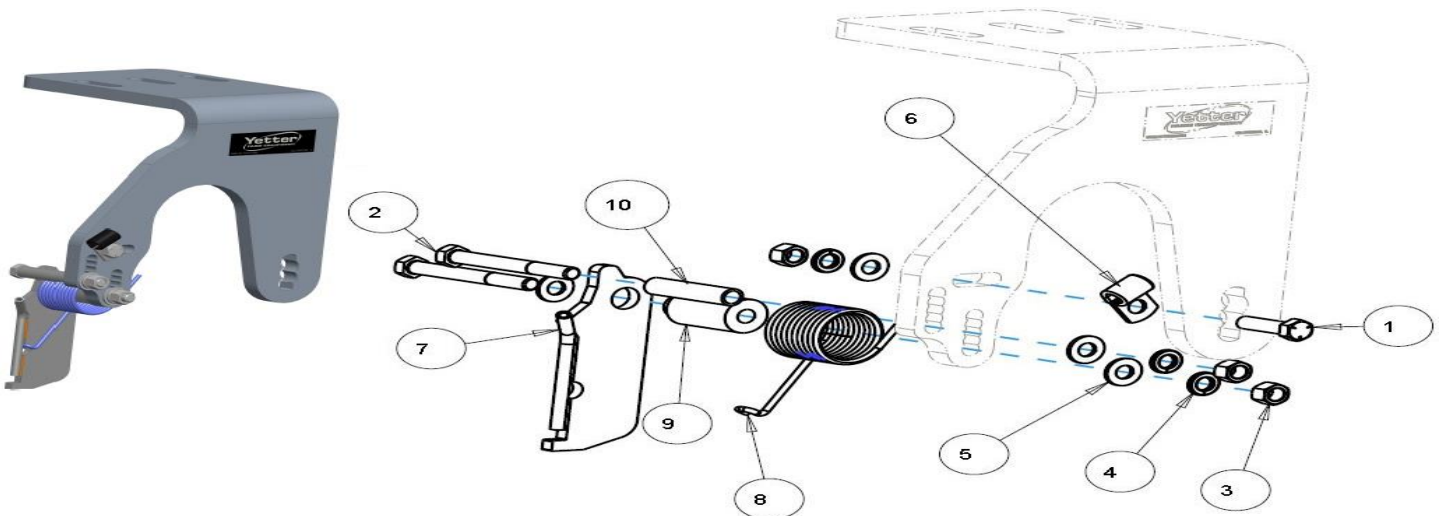
ITEM	PART #	DESCRIPTION	QTY
1	2502-104	¼ - 20 X ½ HHCS GRADE 5	2
2	2502-266	7/16 – 14 X 1 ½ HHCS GRADE 5	1
3	2502-314	½ - 13 X 2 ¼ HHCS GRADE 5	3
4	2502-368	½ - 13 X 5 ½ HHCS GRADE 5	1
5	2502-372	½ - 13 X 6 ½ HHCS GRADE 5	1
6	2502-375	½ - 13 X 8 ½ HHCS GRADE 5	1
7	2502-501	¾ - 10 X 1 ½ HHCS GRADE 5	1
8	2520-151	¼ - 20 HEX NUT	2
9	2520-307	7/16 – 14 FLANGE LOCK NUT	1
10	2520-357	½ - 13 LOCK HEX NUT, GRADE A	2
11	2520-465	5/8 – 11 WHIZ LOCK HEX NUT, GRADE 8	2
12	2520-502	¾ - 10 HEX JAM NUT, GRADE 2	1
13	2525-151	¼ LOCK WASHER	2
14	2525-352	½ LOCK WASHER	3
15	2526-454	5/8 SAE FLAT WASHER HARDENED	2
16	2565-179	YETTER DECAL	2
17	2570-724	3/8 HOSE P-CLIP WITH VINYL CUSHION	2
18	2968-228	FERTILIZER CLOSE WHEEL MOUNT	1
19	2968-361	ARM CLAMP	1
20	2968-363	FORMED HOSE HOLDER	1
21	2968-373	SPACER	2
22	2968-470-RH	RIGHT HAND SHORT WHEEL MOUNT	1
23	2968-471-LH	LEFT HAND TALL WHEEL MOUNT	1

2968-090A-L PARTS IDENTIFICATION



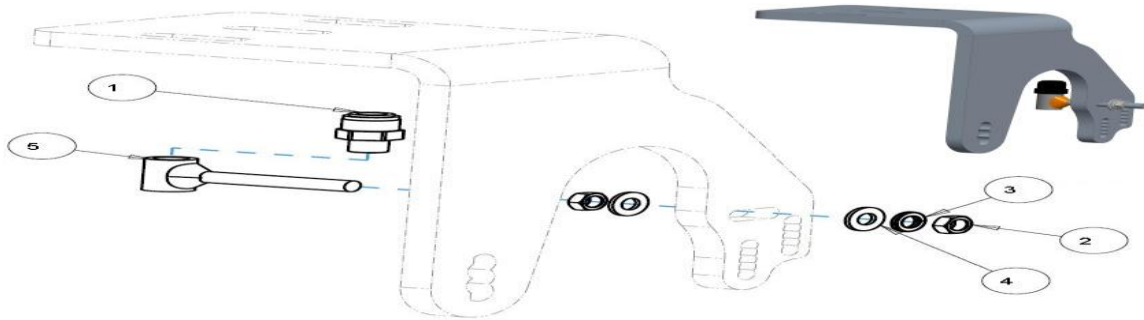
ITEM	PART #	DESCRIPTION	QTY
1	2502-244	3/8 – 16 X 1 ¼ HHCS GRADE 5	1
2	2502-251	3/8 – 16 X 3 HHCS GRADE 8	2
3	2520-251	3/8 – 16 HEX NUT	3
4	2525-251	3/8 LOCK WASHER	3
5	2526-253	3/8 SAE FLAT WASHER	4
6	2570-727	3/8 HOSE P-CLIP W/ VINYL CUSHION	1
7	2968-229-L	LH KNIFE TUBE	1
8	2968-396-L	LH TORSION SPRING	1
9	2968-401	STEPPED BUSHING	1
10	2968-402	STOP BUSHING	1

2968-090A-R PARTS IDENTIFICATION



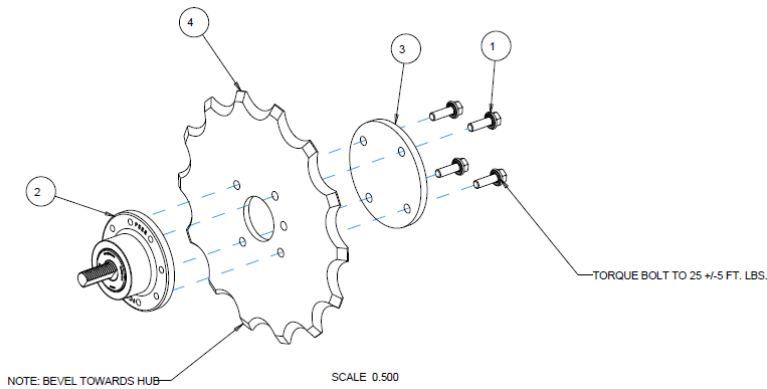
ITEM	PART #	DESCRIPTION	QTY
1	2502-244	3/8 – 16 X 1 ¼ HHCS GRADE 5	1
2	2502-251	3/8 – 16 X 3 HHCS GRADE 8	2
3	2520-251	3/8 – 16 HEX NUT	3
4	2525-251	3/8 MEDIUM LOCK WASHER	3
5	2526-253	3/8 SAE FLAT WASHER	4
6	2570-727	3/8 HOSE P-CLIP W/ VINYL CUSHION	1
7	2968-229-R	RH KNIFE TUBE	1
8	2968-396-R	RH TORSION SPRING	1
9	2968-401	STEPPED BUSHING	1
10	2968-402	STOP BUSHING	1

2968-091 PART IDENTIFICATION



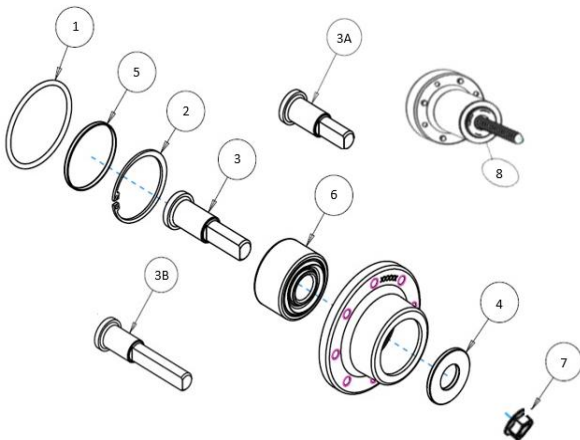
ITEM	PART #	DESCRIPTION	QTY
1	2515-846	MALE CONNECTOR – 3/8 X 1/4 NPTF	1
2	2520-253	3/8 – 16 JAM HEX NUT	2
3	2525-251	3/8 MEDIUM LOCK WASHER	1
4	2526-253	3/8 SAE FLAT WASHER	2
5	2968-218	INJECTOR HOLDER	1

2968-132 (SHOWN) 10" WHEEL ASSEMBLY



ITEM	PART NO.	DESCRIPTION	QTY
1	2502-221	5/16-18 X 1 HHFS GR5 ZP	4
2	2965-500	HUB ASSEMBLY, 1.406 SPINDLE	1
3	2965-503	HUB CAP	1
4	2968-320	10.05 X .256 FERTILIZER WHEEL	1

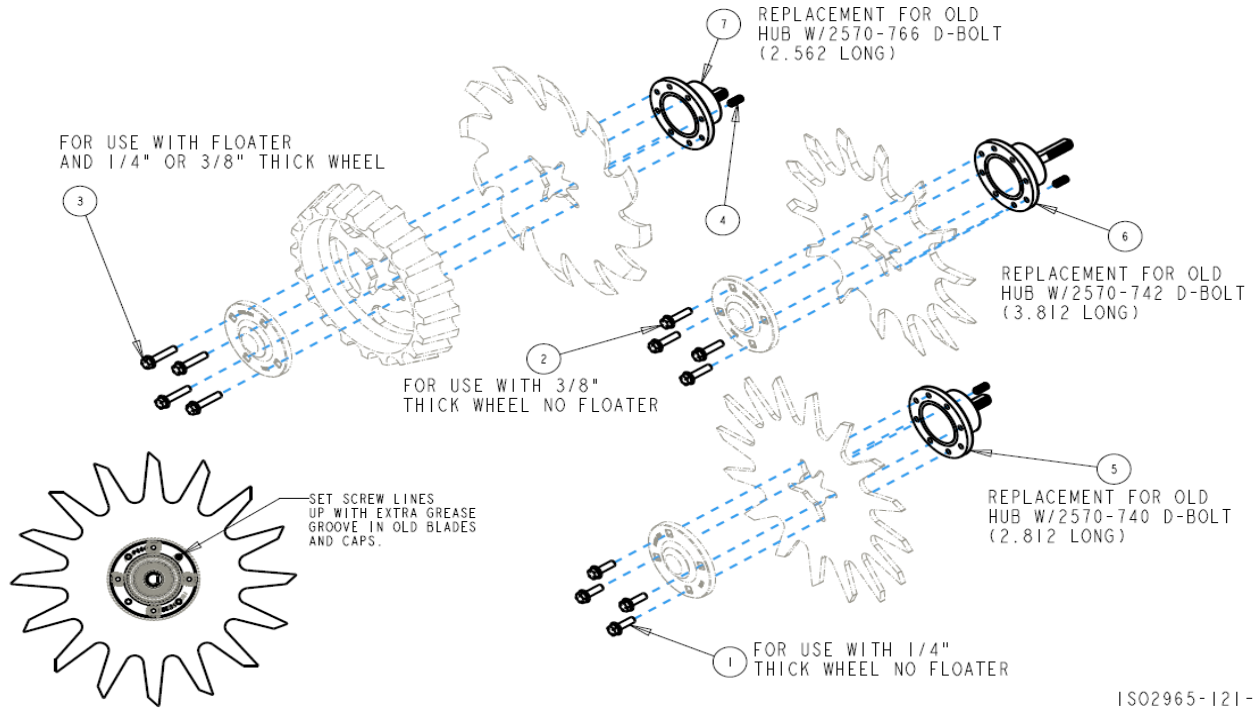
8 BOLT HUB ASSEMBLY



ITEM	PART #	DESCRIPTION	QTY
1	2550-074	O-RING 3.55MM X 56MM ID	1
2	2550-529	SNAP RING	1
3	2965-600A	SHAFT 73 MM (2965-500A HUB ASSEMBLY)	1
3A	2965-602A	SHAFT 66.7 MM (2965-502A HUB ASSEMBLY)	1
3B	2965-601A	SHAFT 98.4 MM (2965-501A HUB ASSEMBLY)	1
4	2965-604A	SPACER	1
5	2965-605A	CAP	1
6	2965-606	BEARING	1
7	2520-465	5/8-11 FLANGE HEX NUT GRADE 8	1
8	2965-500A	HUB ASSEMBLY 1.406" SPINDLE	1
	2965-501A	HUB ASSEMBLY 2.406" SPINDLE	1
	2965-502A	HUB ASSEMBLY 1.157" SPINDLE	1

FIELD SERVICE KITS

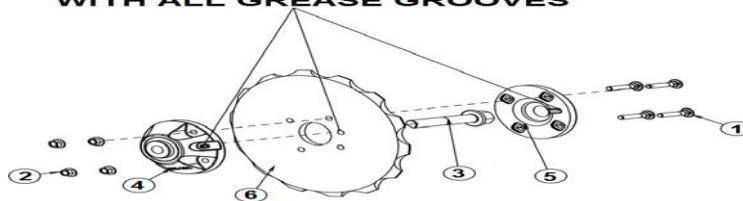
- 2965-119 - SERVICE KIT FOR 2570-740-2.812 D-BOLT
- 2965-120 - SERVICE KIT FOR 2570-742-3.812 D-BOLT
- 2965-121 - SERVICE KIT FOR 2570-766-2.562 D-BOLT



ISO2965-121-2

ITEM	PART NO	DESCRIPTION	QTY
1	2502-221	5/16-18 X 1 HHFS GRADE 5	4
2	2502-222	5/16-18 X 1-1/4 HHFS GRADE 5	4
3	2502-225	5/16-18 X 1-1/2 HHFS GRADE 5	4
4	2940-560	SET SCREW	1
5	2965-500	HUB ASSEMBLY 1.406 SPINDLE	1
6	2965-501	HUB ASSEMBLY 2.406 SPINDLE	1
7	2965-502	HUB ASSEMBLY 1.157 SPINDLE	1

**MUST ALIGN GREASE ZERK
WITH ALL GREASE GROOVES**

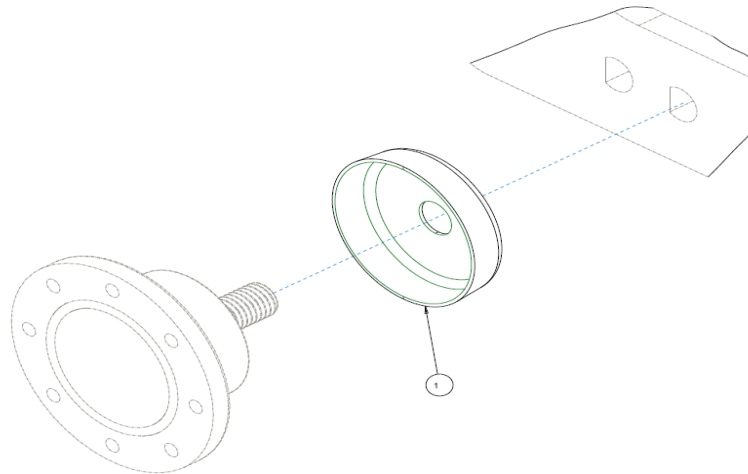


ITEM	PART NO	DESCRIPTION	QTY
1	2505-207	5/16-18 X 1-1/4 CARRIAGE HEAD BOLT GRADE 5	4
2	2520-206	5/16-18 FLANGE LOCK NUT	4
3	2570-740	D-BOLT FLANGE HEAD 5/8-11 X 2.812 GRADE 8	1
4	2965-128	HUB/BEARING ASSEMBLY	1
	2550-069	SEAL	1
	2570-594	BEARING	1
	2570-715	INSERT	1
	2965-351	HUB	1
	2533-110	GREASE FITTING	1
5	2965-352	HUB CAP	1
6	2968-320	10" FERTILIZER WHEEL	1

TROUBLESHOOTING

<u>ISSUE</u>	<u>CAUSE</u>	<u>SOLUTION</u>
2968 UNITS PLUGGING WITH RESIDUE	<ul style="list-style-type: none"> - PLANTER UNITS AREN'T EQUIPPED WITH ROW CLEANERS - ROW CLEANERS AREN'T SET AGGRESSIVE ENOUGH - KNIFE (IF EQUIPPED) DRAGGING RESIDUE - TOO MUCH RESIDUE IN THE SOIL PROFILE - RESIDUE BEING THROWN INTO CLOSING WHEELS 	<ul style="list-style-type: none"> - ADD ROW CLEANERS TO PLANTER UNITS - ADJUST ROWS TO CLEAR MORE TRASH FROM THE ROW - ADJUST KNIFE POSITION HIGHER - REPLACE DULL BLADE TO HELP CUT RESIDUE BETTER - ADJUST FERTILIZER WHEELS WIDER
2968 BLADES NOT PENETRATING	<ul style="list-style-type: none"> - NOT ENOUGH ROW UNIT DOWN FORCE - DULL FERTILIZER BLADES - TOOLBAR NOT HEAVY ENOUGH - PLANTER TOOLBAR NOT LEVEL FRONT TO BACK 	<ul style="list-style-type: none"> - APPLY MORE ROW UNIT DOWN FORCE - REPLACE FERTILIZER BLADES - ADD WEIGHT TO TOOLBAR - LEVEL PLANTER TOOLBAR
FERTILIZER SPLATTER	<ul style="list-style-type: none"> - TOO MUCH PRESSURE AT TIP - INJECTOR TIP ALIGNED WITH DISC SLOT 	<ul style="list-style-type: none"> - CHECK FERTILIZER PRESSURE, 20-30PSI AT TIP - ADJUST INJECTOR TO ALIGN STREAM OF FERTILIZER IN SLOT

OPTIONAL



ITEM	PART NO.	DESCRIPTION	QTY
1	2965-550	BEARING SHIELD	1





A Tradition of Solutions since 1930

Yetter Farm Equipment Co

PO BOX 358 109 S. McDonough

Colchester, IL 62326-0358

Phone: 309-776-4111

Toll Free: 800-447-5777

Email: info@yetterco.com

For updated models and manuals visit the Yetter website:

www.yetterco.com

© Yetter Farm Equipment Co. All Rights Reserved