



ROW UNIT MID-MOUNT FERTILIZER INJECTION OPENER
John Deere, Kinze, Harvest International, & White Row Units
SINGLE WHEEL MODELS

2968-020B, 2968-021B, 2968-022B, 2968-025B, 2968-026A, & 2968-027A

DUAL WHEEL MODELS

2968-040A, 2968-041A, 2968-042A, 2968-043A, 2968-044A, & 2968-045A

SET UP & PARTS MANUAL

2565-951_REV_D – 07/2021



YETTER MANUFACTURING CO.

FOUNDED 1930

Colchester, IL 62326-0358

Toll free: 800/447-5777

309/776-3222 (Fax)

Website: www.yetterco.com

E-mail: info@yetterco.com

GERMINATE UNIFORMITY™

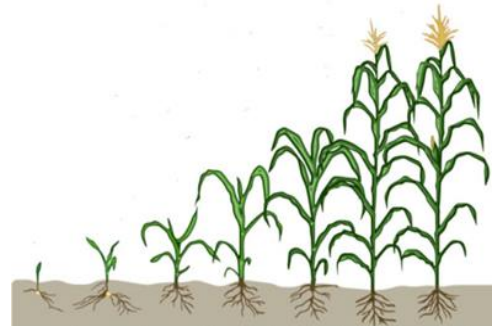


TABLE OF CONTENTS

FOREWORD 3
 SAFETY 4
 PICTORIAL PART LIST 5 – 12
 INSTALLATION 13 – 20
 OPERATION 21 – 22
 PARTS IDENTIFICATION..... 23 – 42
 TROUBLESHOOTING43

BOLT TORQUE



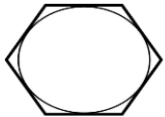



Important: Over-tightening hardware can cause just as much damage as under-tightening. Tightening hardware beyond the recommended range can reduce its shock load capacity.

All hardware is either Grade 5 unless otherwise noted. Grade 5 cap screws are marked with three radial lines on the head. Grade 8 cap screws are marked with six radial lines on the head. If hardware must be replaced, be sure to replace it with hardware of equal size, strength and thread type. Refer to the torque values chart when tightening hardware.

The chart below is a guide for proper torque. Use it unless a specified torque is called out elsewhere in the manual. Torque is the force applied to the end of the handle or cheater bar, times the length of the handle or bar. Tightening hardware beyond the recommended range can reduce its shock load capacity.

Use a torque wrench wherever possible

The following table shows torque in ft.-lbs. for coarse thread hardware.

Bolt Diameter and Threads per Inch	 Grade 2	 Grade 5	 A-325	 Grade 8
1/4	6	10	14	
5/16	12	20	30	
3/8 – 16	25	35	50	
7/16 – 14	35	55	80	
1/2 – 13	55	85	125	
9/16 – 12	75	125	175	
5/8 – 11	105	170	235	
3/4-10	185	305	425	
7/8 – 9	170	445	690	
1-8	260	670	1030	
1 1/8 – 7	365	900	1460	
1 1/4 - 7	515	1275	2060	
1 3/8 – 6	675	1675	2700	
1 1/2 - 6	900	2150	3500	
1 3/4 – 5	1410	3500	5600	

CHECK HARDWARE DAILY FOR LOOSENESS, TORQUE TO SPEC AS NEEDED

FOREWORD

You've just joined an exclusive but rapidly growing club.

For our part, we want to welcome you to the group and thank you for buying a Yetter product.

We hope your new Yetter products will help you achieve both goals-increase your productivity and increase your efficiency so that you may generate more profit.

This operator's manual has been designed into four major sections: Foreword, Safety Precautions, Installation Instructions and Parts Breakdown.



This **SAFETY ALERT SYMBOL** indicates important safety messages in the manual. When you see this symbol, be alert to the possibility of **PERSONAL INJURY** and carefully read the message that follows.

The word **NOTE** is used to convey information that is out of context with the manual text. It contains special information such as specifications, techniques and reference information of a supplementary nature.

The word **IMPORTANT** is used in the text when immediate damage will occur to the machine due to improper technique or operation.

Important will apply to the same information as specified by note only of an immediate and urgent nature.

It is the responsibility of the user to read the operator's manual and comply with the safe and correct operating procedure and to lubricate and maintain the product according to the maintenance schedule in the operator's manual.

The user is responsible for inspecting his machine and for having parts repaired or replaced when continued use of the product would cause damage or excessive wear to the other parts.

It is the user's responsibility to deliver his machine to the Yetter dealer who sold him the product for service or replacement of defective parts, which are covered by the warranty policy.

If you are unable to understand or follow the instructions provided in this publication, consult your local Yetter dealer or contact:

YETTER MANUFACTURING CO.

309/776-4111

800/447-5777

309/776-3222 (FAX)

Website: www.yetterco.com

E-mail: info@yetterco.com

WARRANTY

Yetter Manufacturing warrants all products manufactured and sold by it against defects in material. This warranty being expressly limited to replacement at the factory of such parts or products as shall appear to be defective after inspection. This warranty does not obligate the Company to bear cost of labor in replacement of parts. It is the policy of the Company to make improvements without incurring obligations to add them to any unit already sold. No warranty is made or authorized to be made, other than herein set forth. This warranty is in effect for one year after purchase.

DEALER: _____

Yetter Manufacturing warrants its own products only and cannot be responsible for damages to equipment on which mounted.

BE ALERT!

YOUR SAFETY IS INVOLVED



WATCH FOR THIS SYMBOL. IT POINTS OUT IMPORTANT SAFETY PRECAUTIONS. IT MEANS “ATTENTION – BE ALERT!”

It is your responsibility as an owner, operator, or supervision to know and instruct everyone using this machine at the time of initial assignment and at least annually thereafter, of the proper operation, precautions, and work hazards which exist in the operation of the machine in accordance with OSHA regulations.

Safety Is No Accident

The following safety instructions, combined with common sense, will save your equipment from needless damage and the operator from unnecessary exposure to personal hazard. Pay special attention to the caution notes in the text. Review this manual at least once a year with all operators.



1. Read and understand the operator's manual before operating this machine. Failure to do so is considered a misuse of the equipment.
2. Make sure equipment is secure before operating.
3. Always keep children away from equipment when operating.
4. Make sure everyone that is not directly involved with the operation is out of the work area before beginning operation.
5. Make sure all safety devices, shields, and guards are in place and functional before beginning operation
6. Shut off all power to adjust, service, or clean.
7. Keep hands, feet, and clothing away from moving parts. It is a good idea to remove all jewelry before operating.
8. Inspect the machine periodically during operation for signs of excessive wear, loose fasteners, and unusual noises.
9. Always make sure the tractor is in park, wheels chocked if necessary, and hydraulic cylinder stops on machine are in place before beginning any work on or around machine.

BEFORE BEGINNING INSTALLATION, PLEASE GO THROUGH YOUR ORDER TO ENSURE THAT YOU HAVE THE CORRECT PARTS AND HARDWARE, AND THAT THE QUANTITIES ARE CORRECT. USE THE PICTORIAL PART LIST BELOW TO GUIDE YOU.

2968-020B Pictorial Parts List

For JD 1700, 7200, & 7300 Single Disc, Left or Right Hand

 2968-153 QTY 1 Bolt Bag	 2968-222 QTY 1 Close Wheel Mount	 Only if -LH Ordered 2968-470-LH QTY 1 Short Fert. Wheel Mount, LH	 Only if -RH Ordered 2968-470-RH QTY 1 Short Fert. Wheel Mount, RH	 2968-361 QTY 1 Arm Clamp
---	---	--	--	---

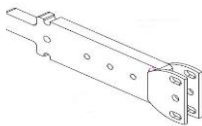



2968-021B Pictorial Parts List

For JD 7000 & 7100, Kinze 2000 & 3000, Single Disc, Left or Right Hand

 2968-154 QTY 1 Bolt Bag	 2968-223 QTY 1 Close Wheel Mount	 Only if -LH Ordered 2968-470-LH QTY 1 Short Fert. Wheel Mount, LH	 Only if -RH Ordered 2968-470-RH QTY 1 Short Fert. Wheel Mount, RH	 2968-361 QTY 1 Arm Clamp
---	---	--	--	---

2968-022B Pictorial Parts List

For White 8000, Single Disc, Left or Right Hand

 2968-155 QTY 1 Bolt Bag	 2968-224 QTY 1 Close Wheel Mount	 Only if -LH Ordered 2968-470-LH QTY 1 Short Fert. Wheel Mount, LH	 Only if -RH Ordered 2968-470-RH QTY 1 Short Fert. Wheel Mount, RH	 2968-469 QTY 1 Arm Spacer, 2"	 2968-361 QTY 1 Arm Clamp
--	--	---	--	--	--

2968-025B Pictorial Parts List

For White 9000, Single Disc, Left or Right Hand

 2968-155 QTY 1 Bolt Bag	 2968-220 QTY 1 Close Wheel Mount	 Only if -LH Ordered 2968-470-LH QTY 1 Short Fert. Wheel Mount, LH	 Only if -RH Ordered 2968-470-RH QTY 1 Short Fert. Wheel Mount, RH	 2968-361 QTY 1 Arm Clamp
---	---	--	--	---






2968-026A Pictorial Parts List

For Harvest International Single Disc, Left or Right Hand

 2968-153 QTY 1 Bolt Bag	 2968-225 QTY 1 Close Wheel Mount	 Only if -LH Ordered 2968-470-LH QTY 1 Short Fert. Wheel Mount, LH	 Only if -RH Ordered 2968-470-RH QTY 1 Short Fert. Wheel Mount, RH	 2968-361 QTY 1 Arm Clamp
---	---	--	--	---

2968-027A Pictorial Parts List

For Kinze 4900 Single Disc, Left or Right Hand

 <p>2968-156 QTY 1 Bolt Bag</p>	 <p>2968-228 QTY 1 Close Wheel Mount</p>	 <p>Only if -LH Ordered 2968-470-LH QTY 1 Short Fert. Wheel Mount, LH</p>	 <p>Only if -RH Ordered 2968-470-RH QTY 1 Short Fert. Wheel Mount, RH</p>	 <p>2968-361 QTY 1 Arm Clamp</p>
---	---	--	--	---

2968-040A Pictorial Parts List

For JD 1700, 7200, & 7300 Dual Disc

 <p>2968-157 QTY 1 Bolt Bag</p>	 <p>2968-222 QTY 1 Close Wheel Mount</p>	 <p>2968-470-RH QTY 1 Short Fert. Wheel Mount, RH</p>	 <p>2968-471-LH QTY 1 Tall Fert. Wheel Mount</p>	 <p>2968-361 QTY 1 Arm Clamp</p>
---	---	--	---	---


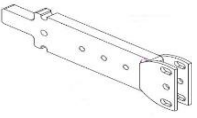




2968-041A Pictorial Parts List

For JD 7000 & 7100, Kinze 2000 & 3000, Dual Disc

 <p>2968-159 QTY 1 Bolt Bag</p>	 <p>2968-223 QTY 1 Close Wheel Mount</p>	 <p>2968-470-RH QTY 1 Short Fert. Wheel Mount, RH</p>	 <p>2968-471-LH QTY 1 Tall Fert. Wheel Mount</p>	 <p>2968-361 QTY 1 Arm Clamp</p>
--	--	---	--	--


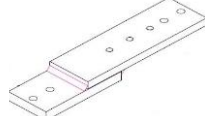



2968-042A Pictorial Parts List

For White 8000, Dual Disc

 <p>2968-160 QTY 1 Bolt Bag</p>	 <p>2968-224 QTY 1 Close Wheel Mount</p>	 <p>2968-470-RH QTY 1 Short Fert. Wheel Mount, RH</p>	 <p>2968-471-LH QTY 1 Short Fert. Wheel Mount, LH</p>	 <p>2968-469 QTY 1 Arm Spacer, 2"</p>	 <p>2968-361 QTY 1 Arm Clamp</p>
---	---	--	---	--	---




2968-043A Pictorial Parts List

For White 9000, Single Disc, Left or Right Hand

 <p>2968-160 QTY 1 Bolt Bag</p>	 <p>2968-220 QTY 1 Close Wheel Mount</p>	 <p>2968-470-RH QTY 1 Short Fert. Wheel Mount, LH</p>	 <p>2968-471-LH QTY 1 Short Fert. Wheel Mount, RH</p>	 <p>2968-361 QTY 1 Arm Clamp</p>
---	---	--	--	---



2968-044A Pictorial Parts List

For Harvest International, Dual Disc

 <p>2968-157 QTY 1 Bolt Bag</p>	 <p>2968-225 QTY 1 Close Wheel Mount</p>	 <p>2968-470-RH QTY 1 Short Fert. Wheel Mount, RH</p>	 <p>2968-471-LH QTY 1 Tall Fert. Wheel Mount</p>	 <p>2968-361 QTY 1 Arm Clamp</p>
---	---	--	---	---

2968-045A Pictorial Parts List

For Kinze 4900, Dual Disc

 <p>2968-158 QTY 1 Bolt Bag</p>	 <p>2968-228 QTY 1 Close Wheel Mount</p>	 <p>2968-470-RH QTY 1 Short Fert. Wheel Mount, RH</p>	 <p>2968-471-LH QTY 1 Tall Fert. Wheel Mount</p>	 <p>2968-361 QTY 1 Arm Clamp</p>
---	---	--	---	---

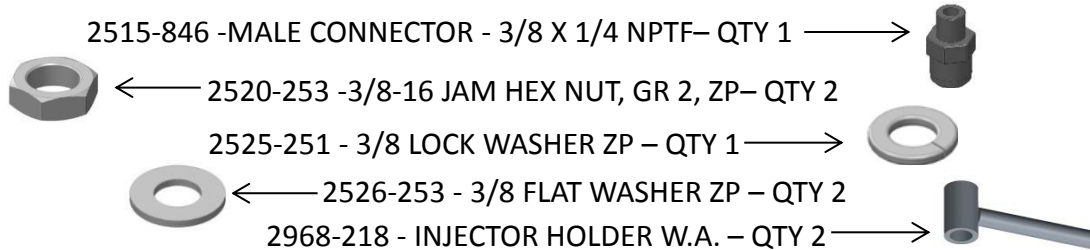
2968-090A-L & 2968-090A-R Pictorial Parts List

● = ONLY INCLUDED IN 2968-090A-L KIT

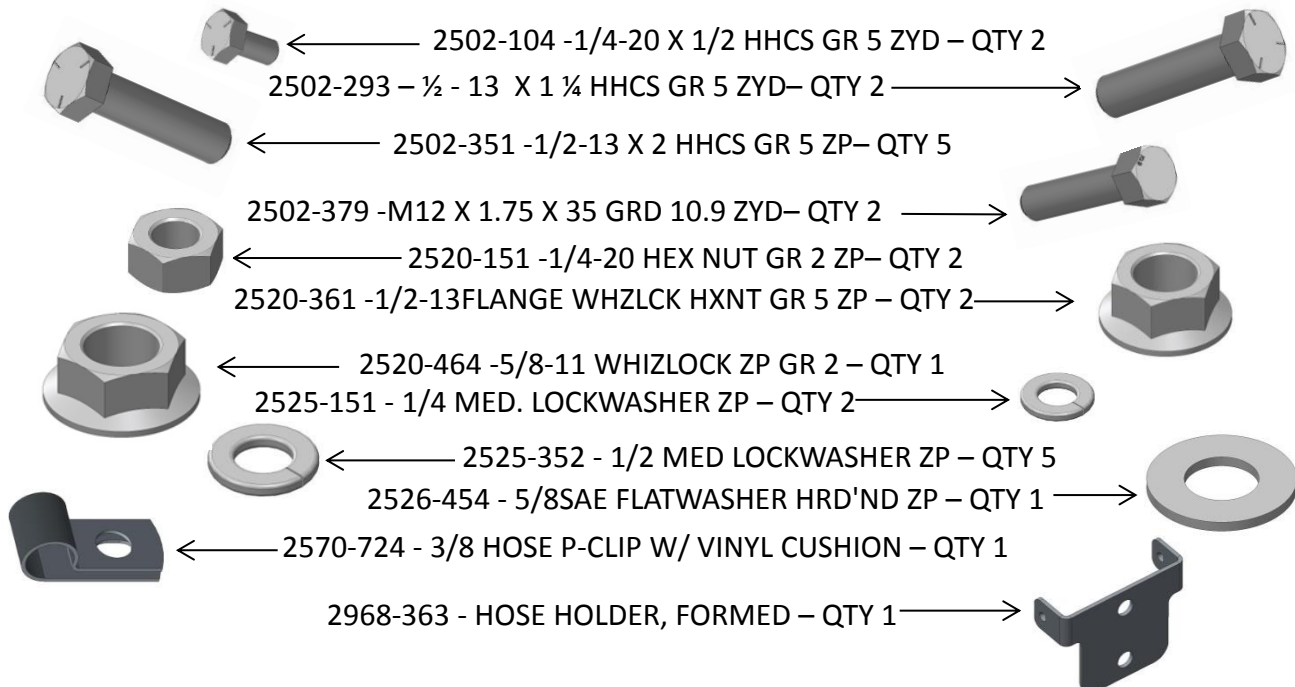
+ = ONLY INCLUDED IN 2960-090A-R KIT



2968-091 INJECTOR KIT, ONE SIDE



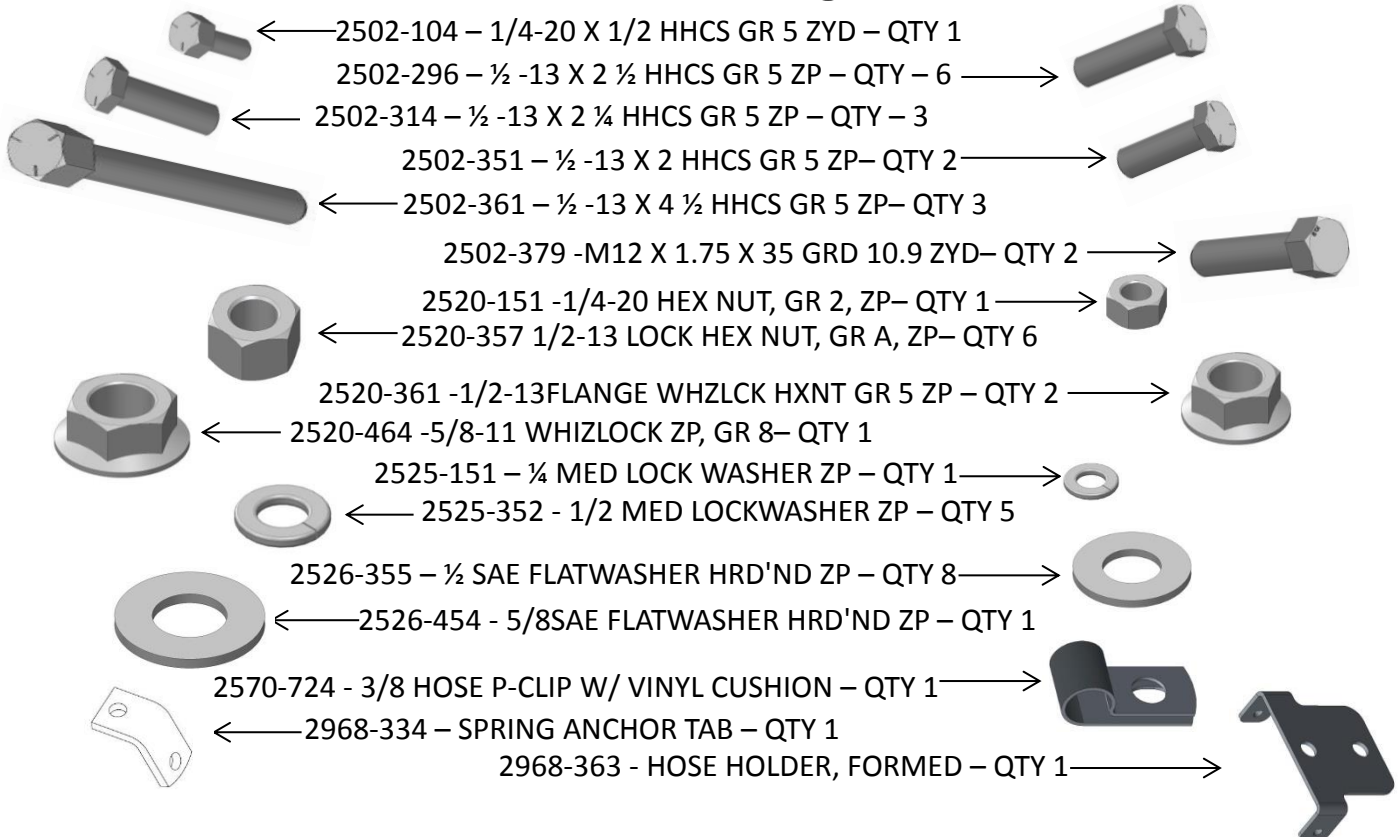
2968-153 Pictorial Parts List – Bolt Bag for 2968-020B & 2968-026A



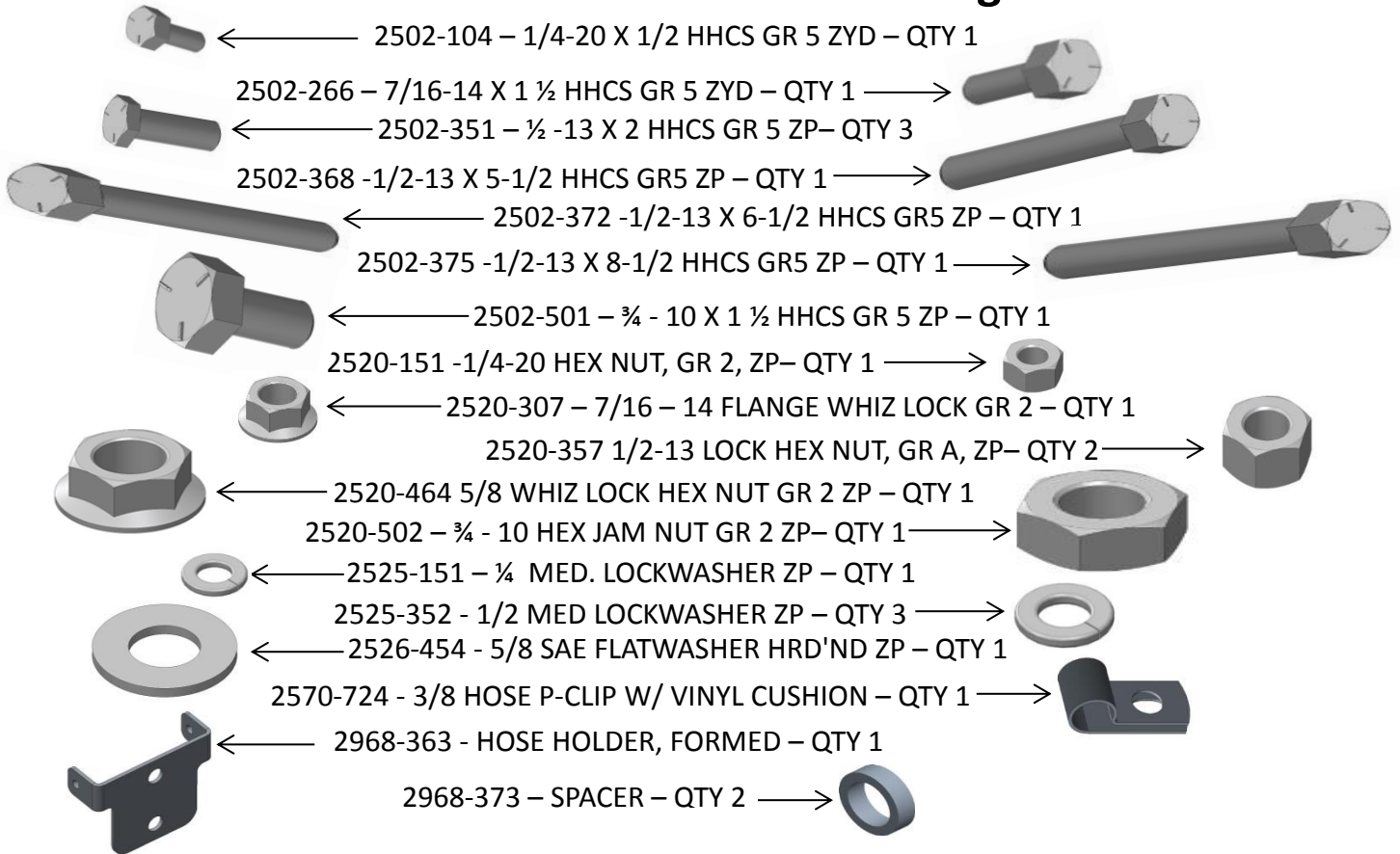
2968-154 Pictorial Parts List – Bolt Bag for 2968-021B



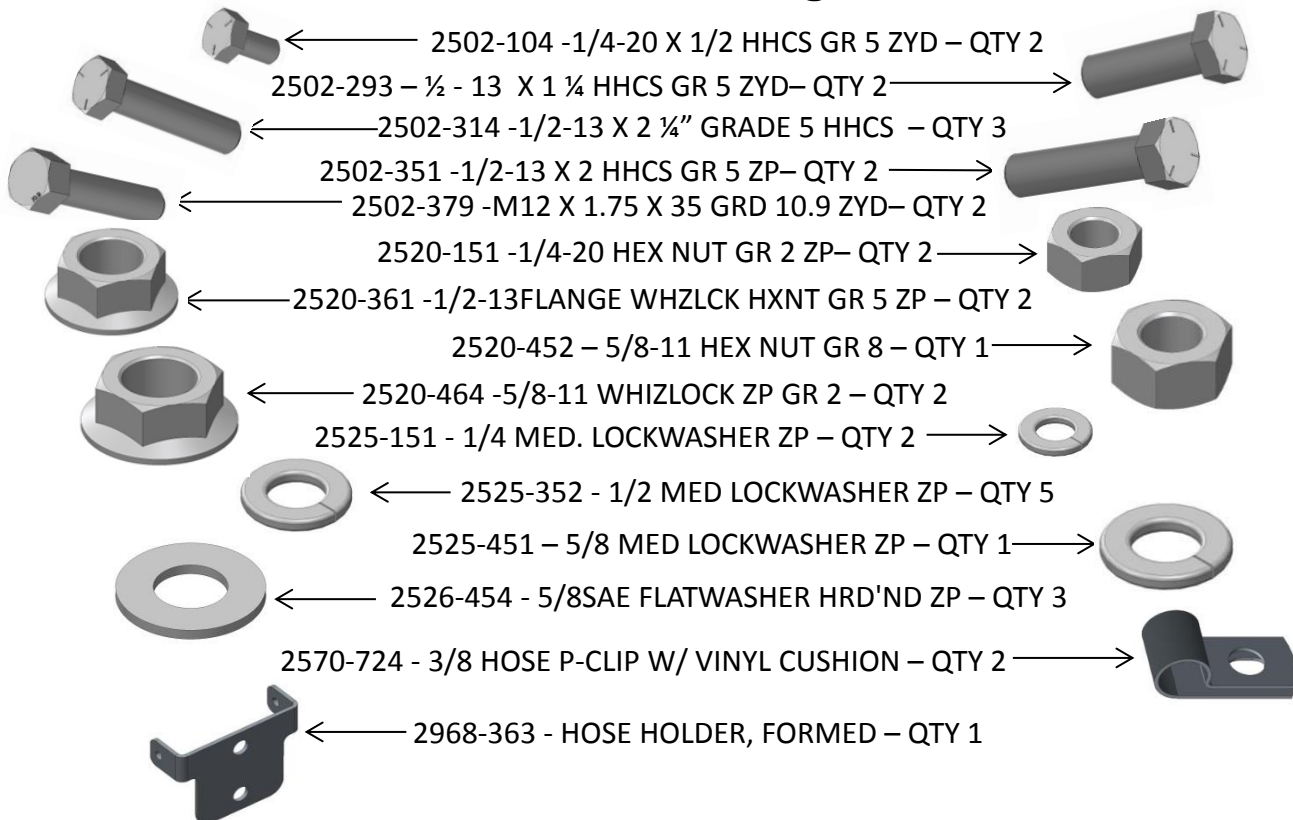
2968-155 Pictorial Parts List – Bolt Bag for 2968-022B & 2968-025B



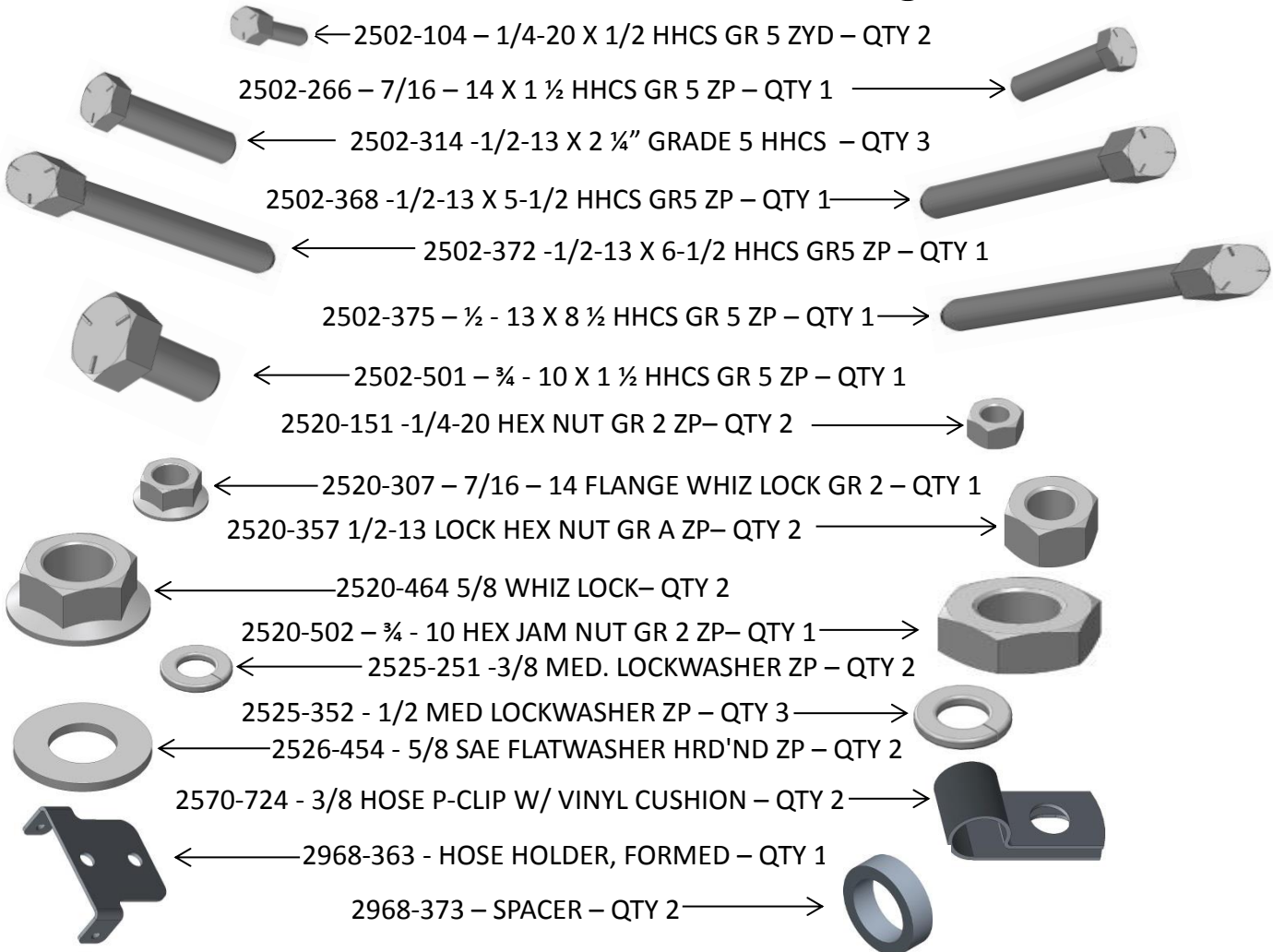
2968-156 Pictorial Parts List – Bolt Bag for 2968-027A



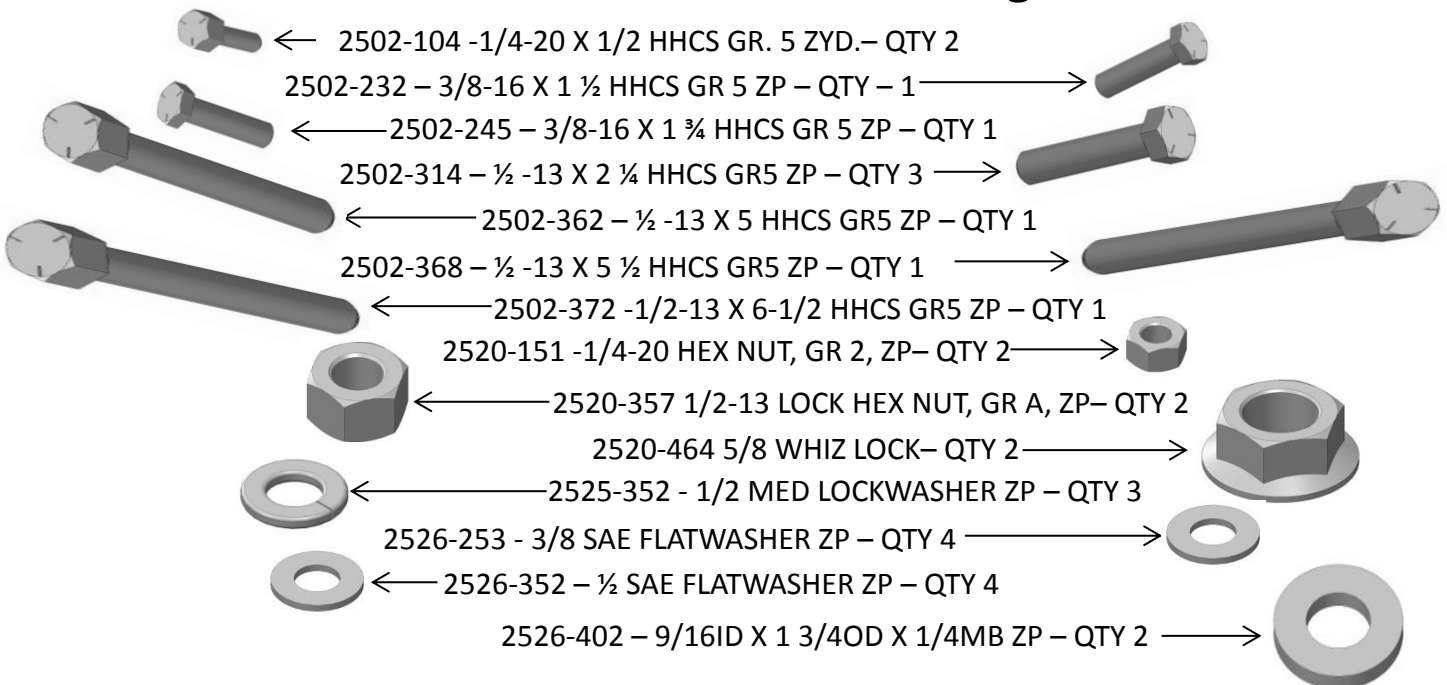
2968-157 Pictorial Parts List – Bolt Bag for 2968-040A & 2968-044A



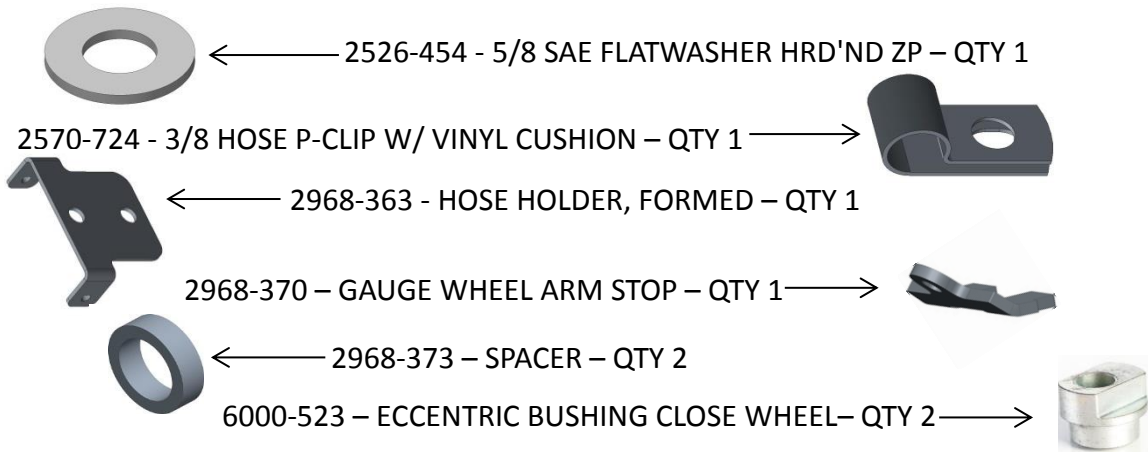
2968-158 Pictorial Parts List – Bolt Bag for 2968-045A



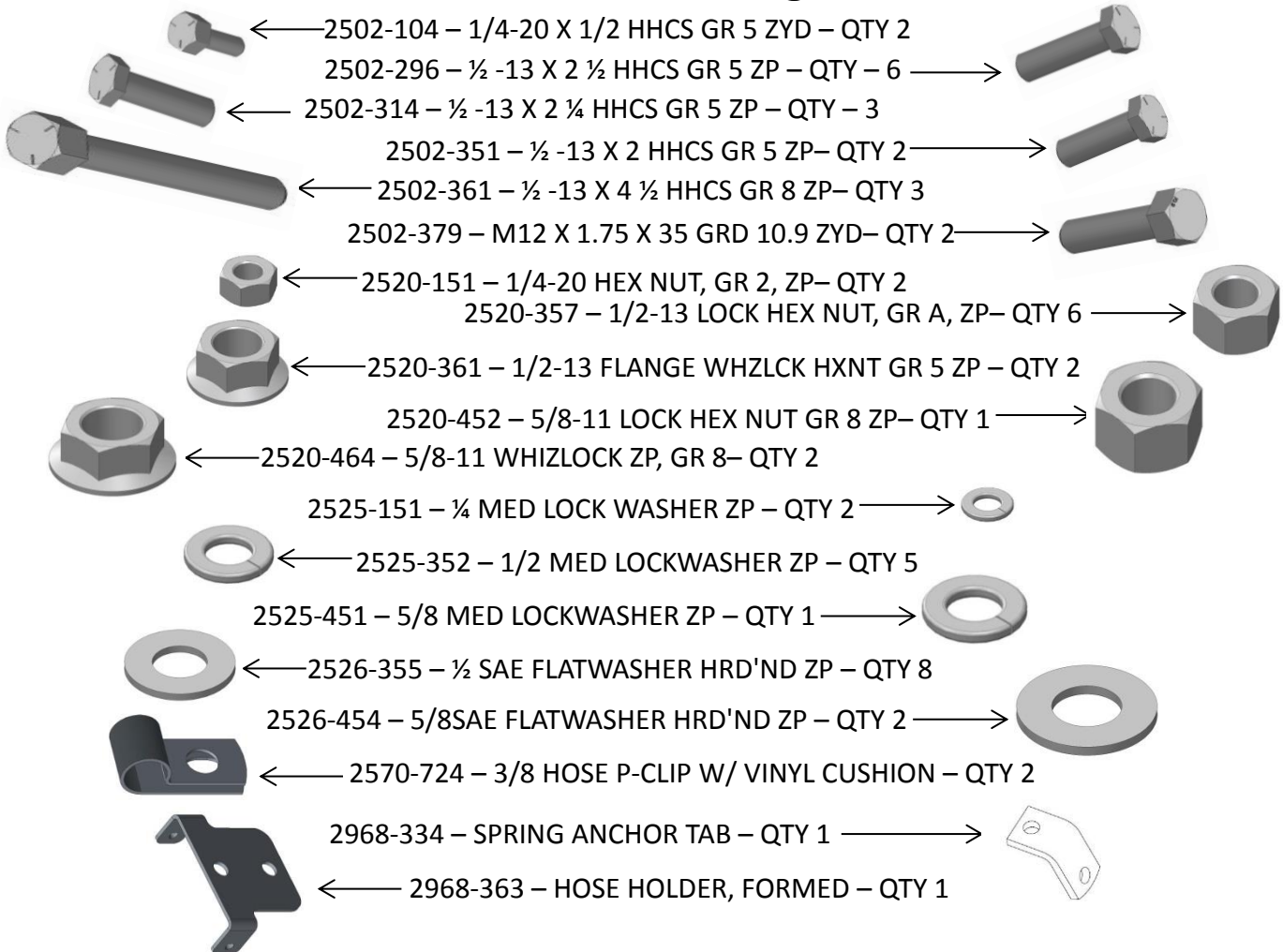
2968-159 Pictorial Parts List – Bolt Bag for 2968-041A



2968-159 Pictorial Parts List – Bolt Bag for 2968-041A CONT'D



2968-160 Pictorial Parts List – Bolt Bag for 2968-042A & 2968-043A

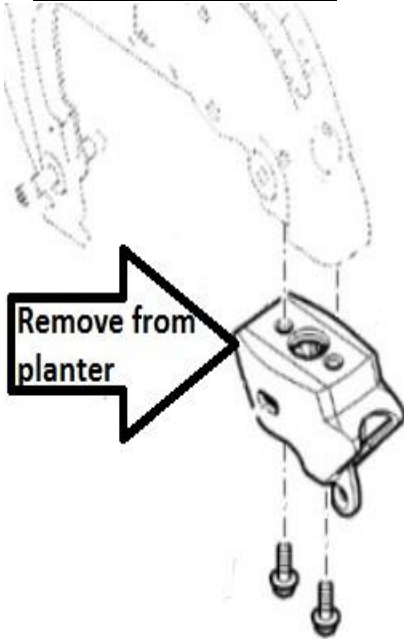


INSTALLATION INSTRUCTIONS

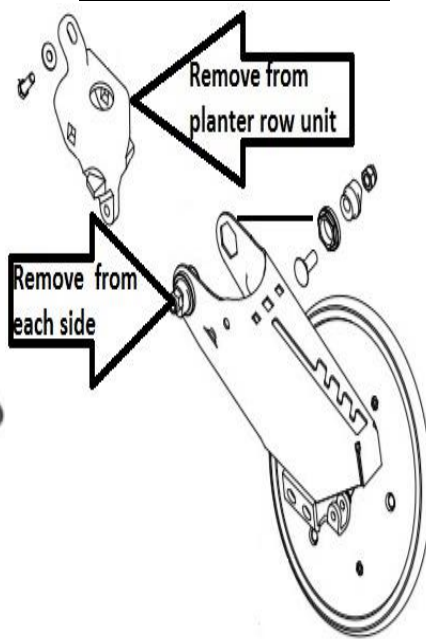
Step 1: Remove OEM Tail Piece

Remove the V-Closing Wheel Tail Piece from the row unit.

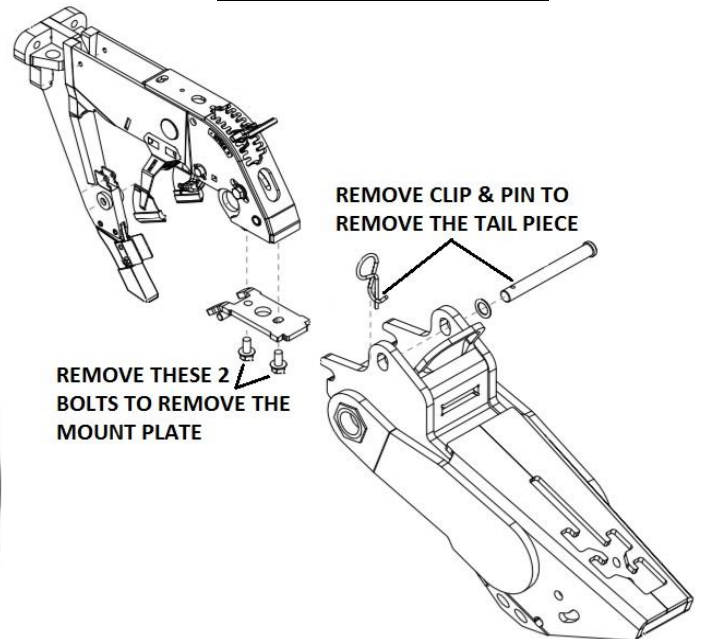
JD 1700/7200/7300



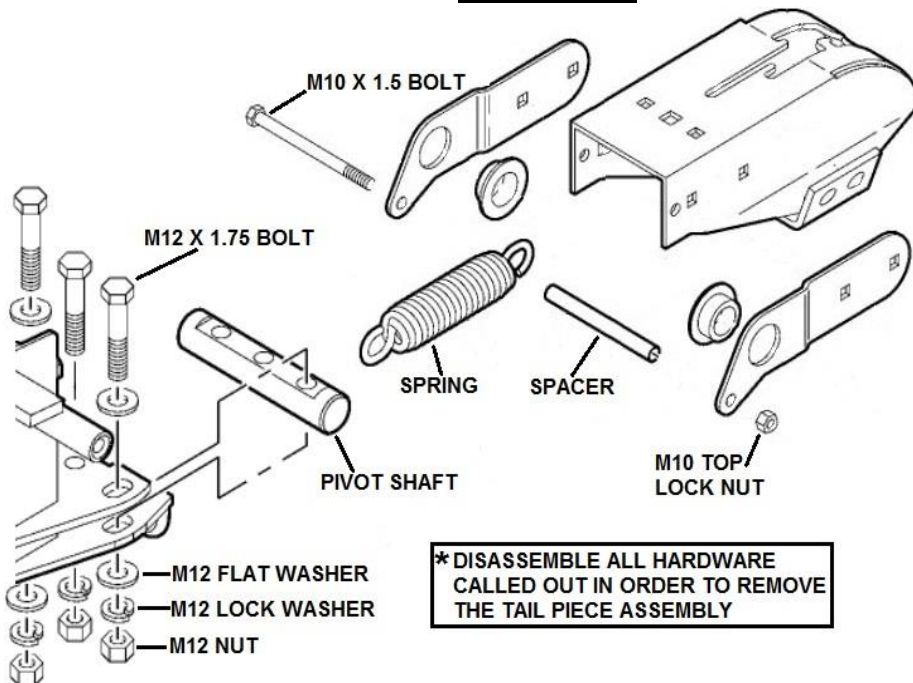
Kinze/JD 7000/7100



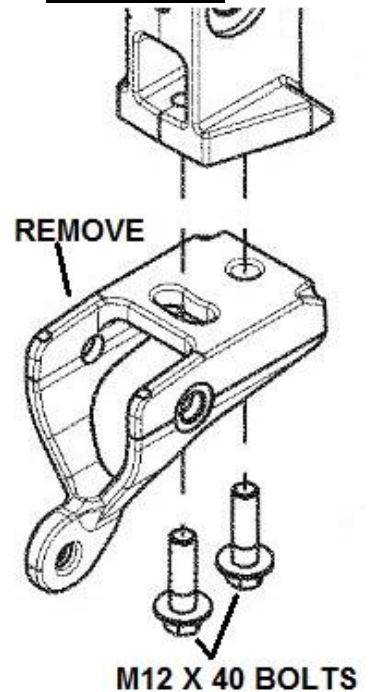
Harvest International



White 8000



White 9000

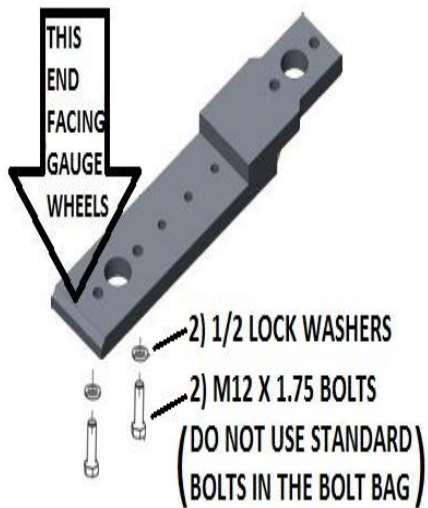


INSTALLATION INSTRUCTIONS

Step 2: Fertilizer Mount Plate Installation

Install Fertilizer Mount Plate for the Yetter 2968 unit where the closing wheel tail piece was originally assembled.

JD 1700/7200/7300



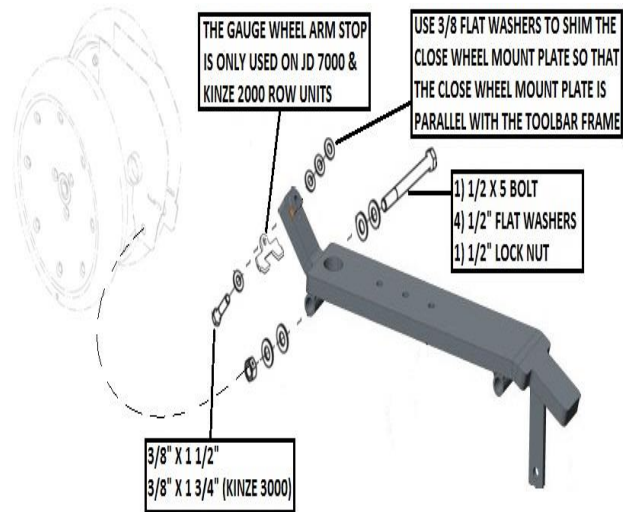
Harvest International



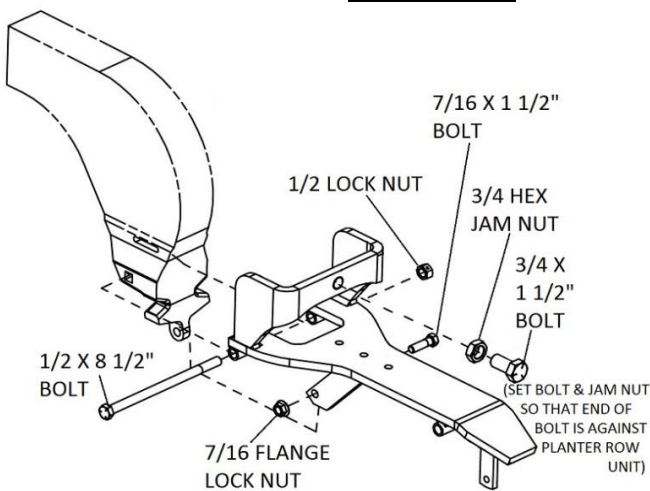
(DO NOT USE THE METRIC BOLTS IN THE BOLT BAG HERE)

1/2 X 1 1/4 BOLTS & 1/2 LOCK WASHERS

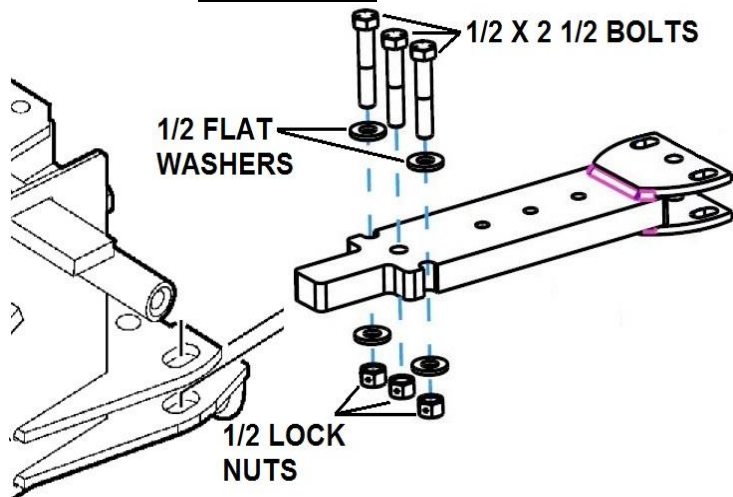
JD 7000/7100/Kinze 2000 & 3000



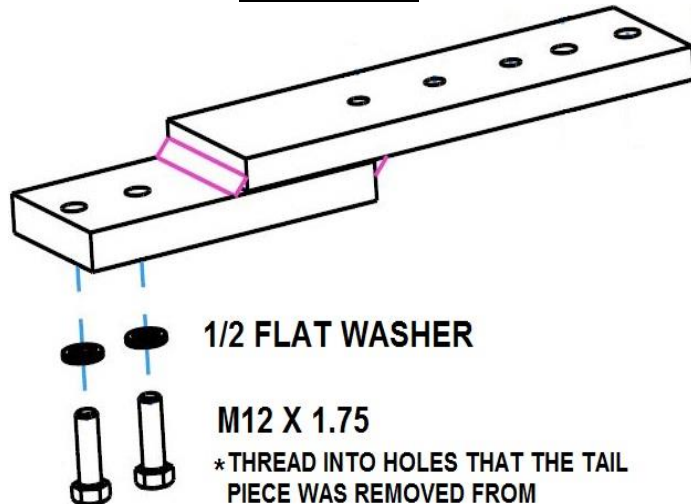
Kinze 4900



White 8000



White 9000

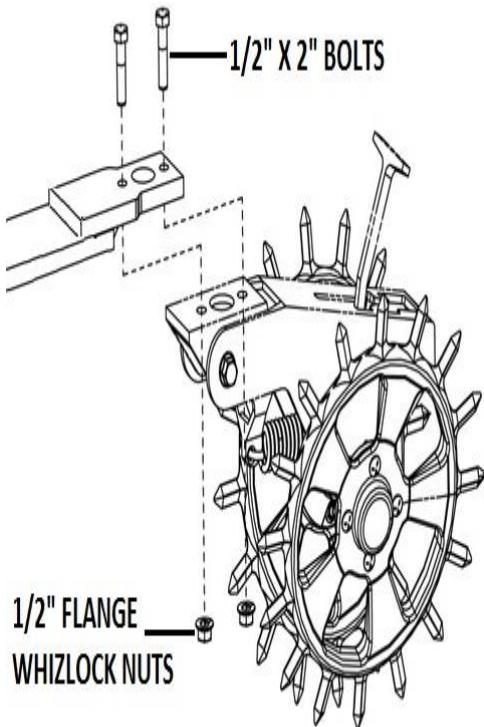


INSTALLATION INSTRUCTIONS

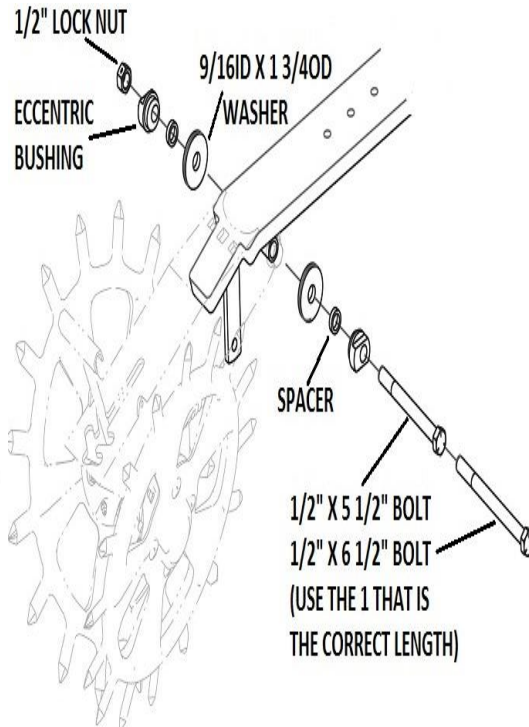
Step 3: Attach Closing Wheel Assembly to Fertilizer Mount Plate

Attach V-Closing Wheel Tail Piece to the Fertilizer Mount Plate. Reattach the spring.

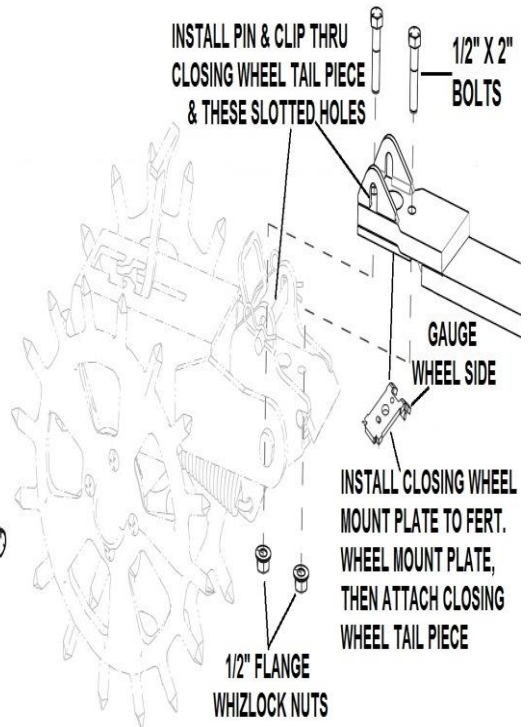
JD 1700/7200/7300



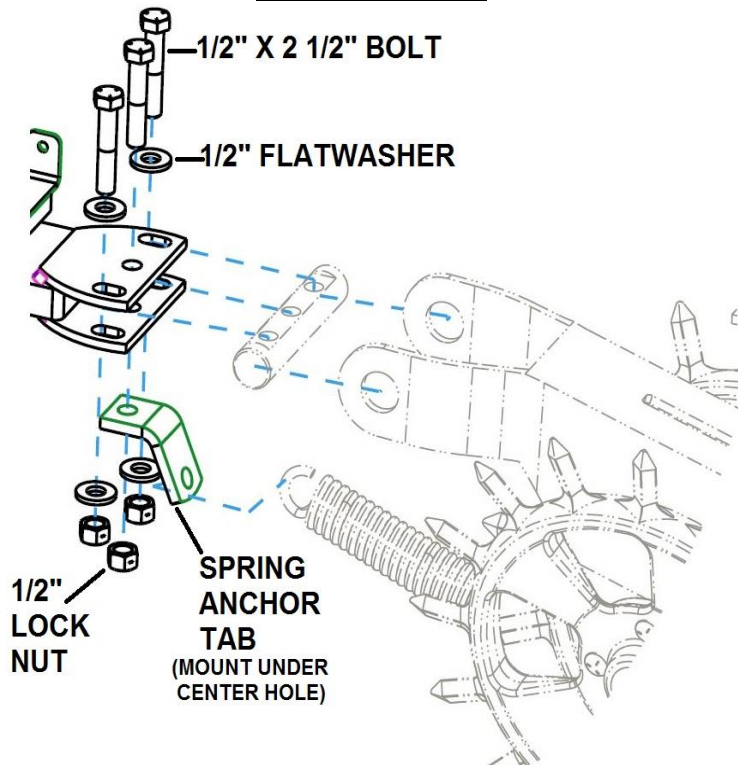
All Kinze/JD 7000/7100



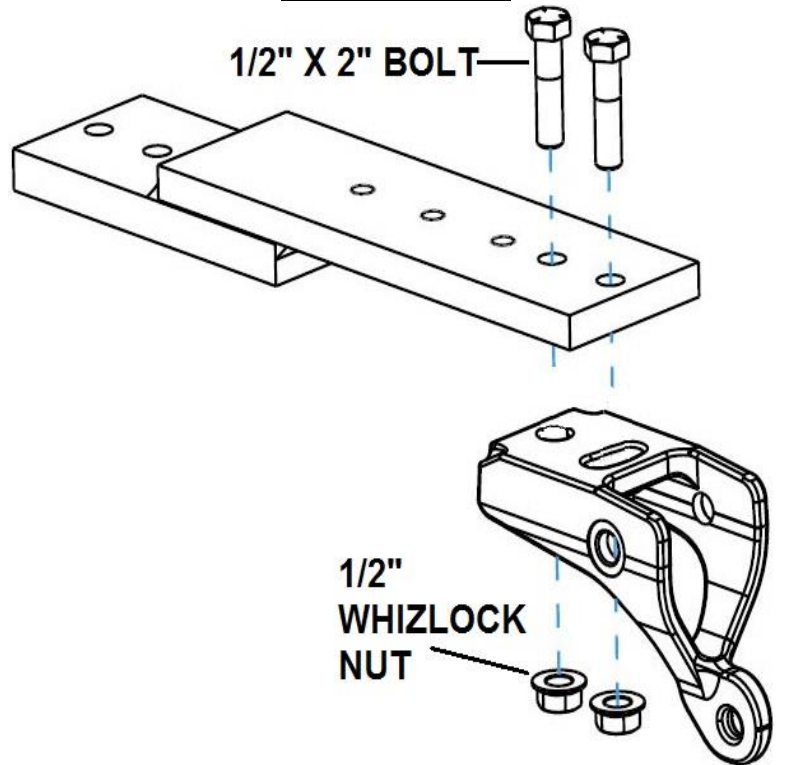
Harvest International



White 8000



White 9000



INSTALLATION INSTRUCTIONS

(2968-020A, 2968-021A, 2968-026A, & 2968-027A MODELS, SINGLE DISC)

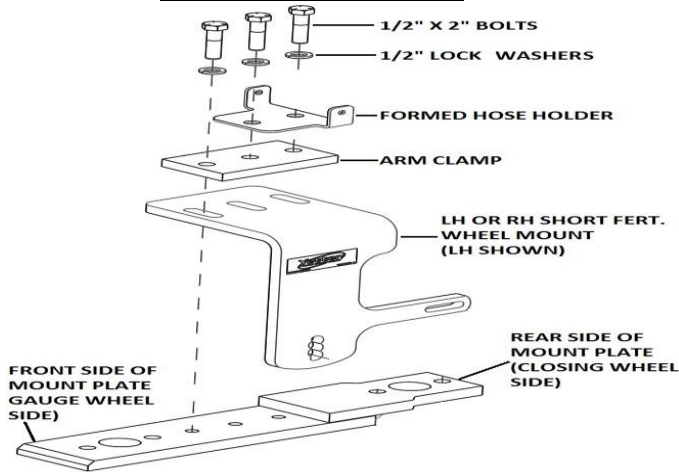
(IF INSTALLING 2968-040, 2968-041, 2968-044, OR 2968-045 DUAL DISC, SKIP TO 4B)

Step 4A: Fertilizer Wheel Mount Assembly, Single

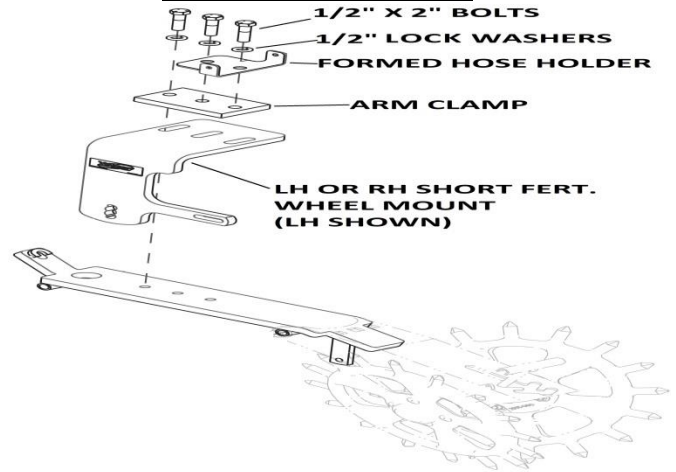
Install the 2968-470-LH or 2968-470-RH Short Fert. Wheel Mount, Arm Clamp, & Formed Hose Holder to the Fertilizer Mount Plate using 3) 1/2" X 2" Bolts & 3) 1/2" Lock Washers. White row units will use 3) 1/2" X 2 1/4" Bolts. **ALL PHOTOS BELOW SHOW LH UNIT INSTALLATION.**

NOTE: DO NOT tighten the 3) 1/2" X 2" (2 1/4" on White row units) Bolts until after the wheel are installed.

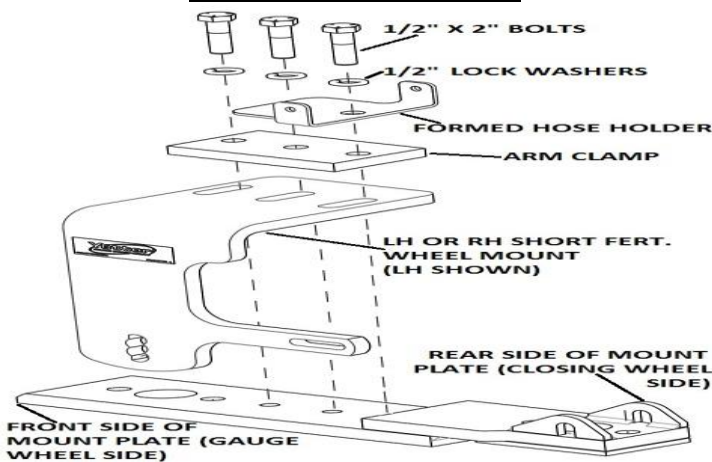
JD 1700/7200/7300



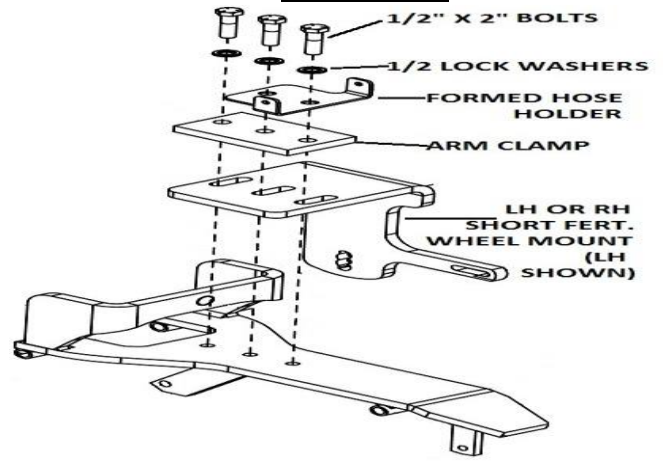
Kinze/JD 7000/7100



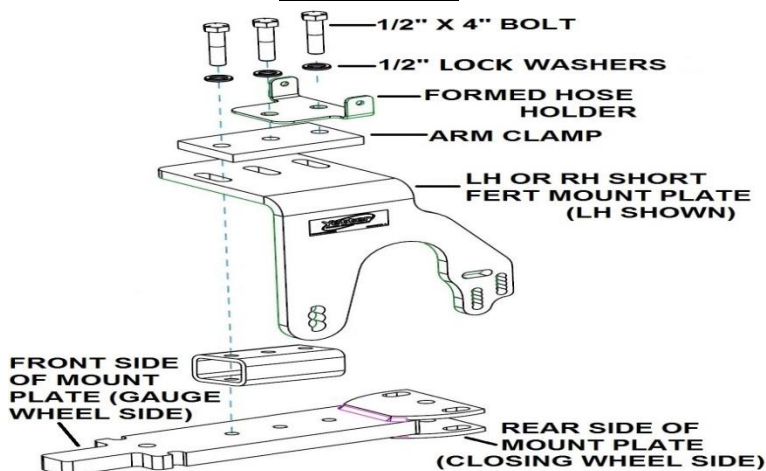
Harvest International



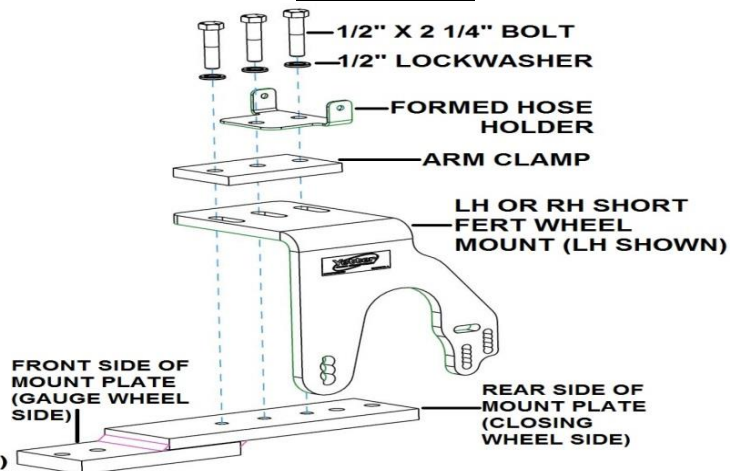
Kinze 4900



White 8000



White 9000



INSTALLATION INSTRUCTIONS

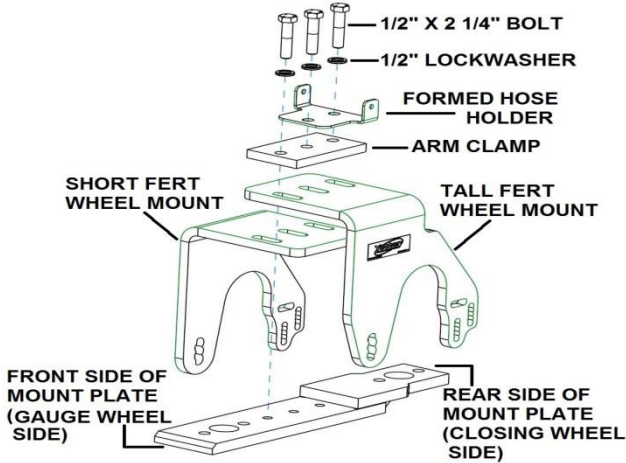
(2968-040A, 2968-041A, 2968-042A, 2968-043A, 2968-044A, & 2968-045 MODELS, DUAL DISC)

Step 4B: Fertilizer Wheel Mount Assembly, Dual

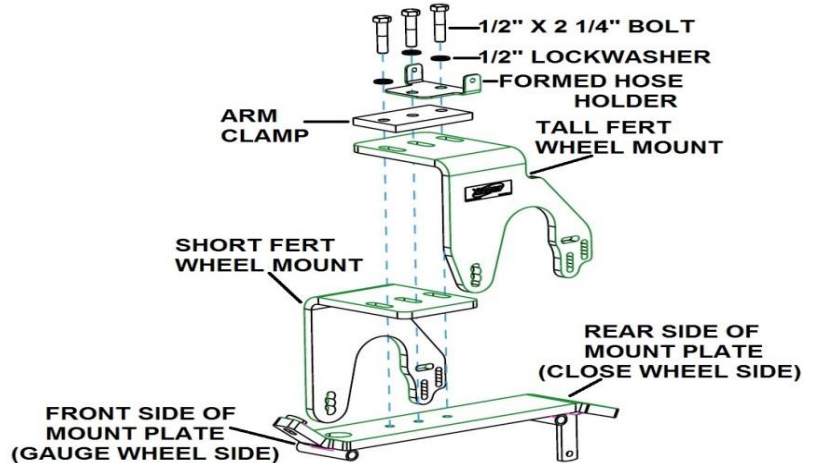
Install the 2968-359-RH L-Mount bracket, 2968-360 Tall L-Mount Bracket, Arm Clamp, & Formed Hose Holder to Fertilizer Mount Plate using 3) 1/2" X 2 1/4" Bolts & 3) 1/2" Lock Washers.

NOTE: DO NOT tighten the 3) 1/2" X 2 1/4" Bolts until after the wheel are installed.

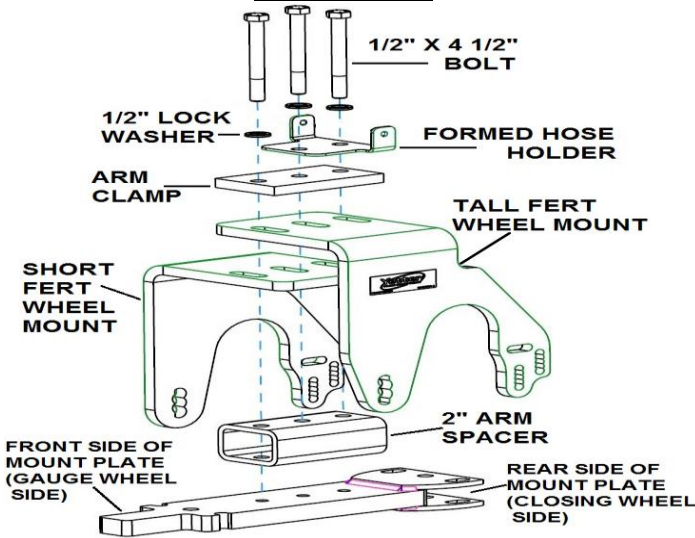
JD 1700/7200/7300



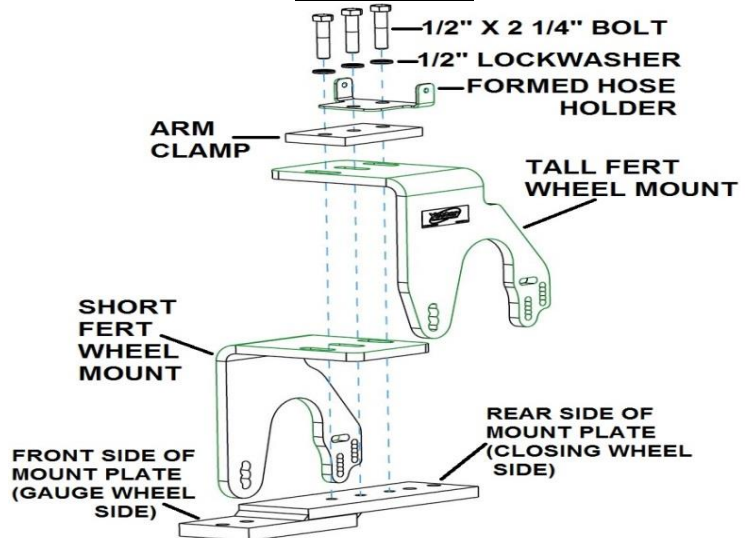
Kinze/JD 7000/7100



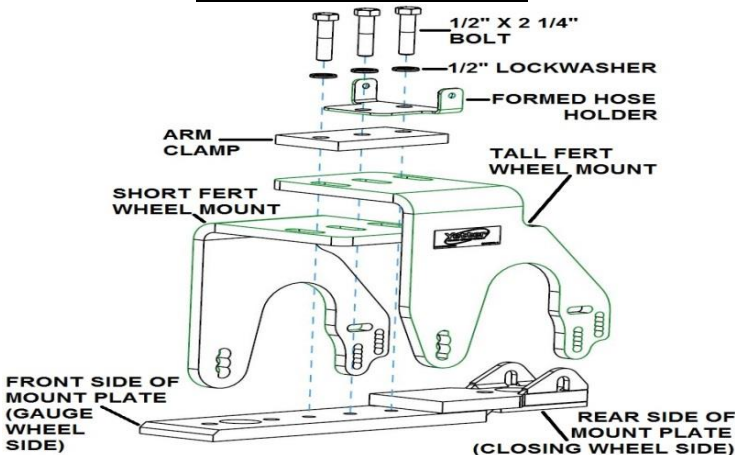
White 8000



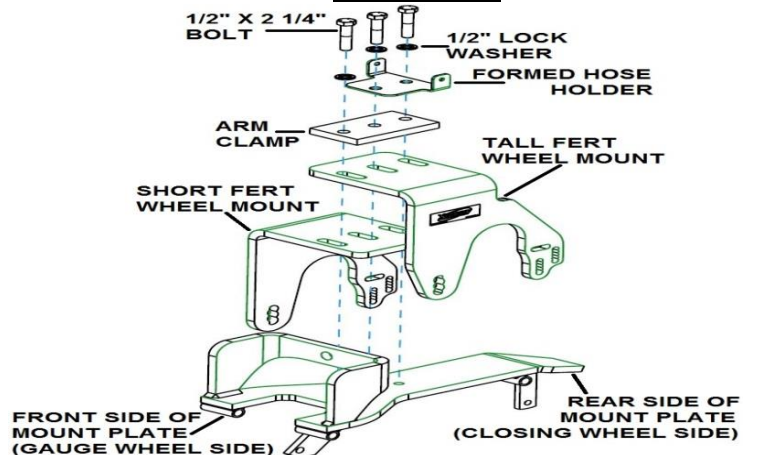
White 9000



Harvest International



Kinze 4900



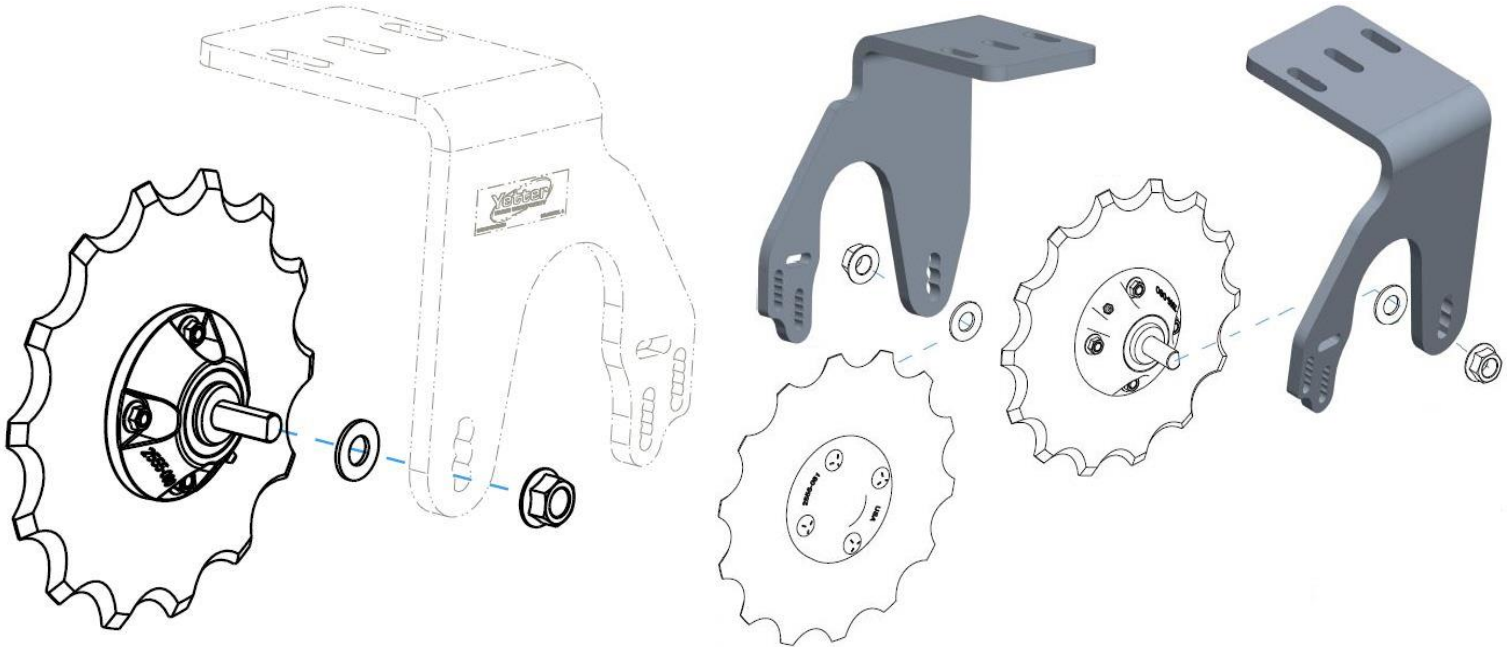
INSTALLATION INSTRUCTIONS

Step 5: Fertilizer Wheel Assembly

Place 1) 5/8" flat washer over the D-bolt & install the Fertilizer Wheel Assembly to Fertilizer Wheel Mount Plate & tighten 5/8" flange whiz lock nut. See [page 21](#) to determine which D-bolt hole to install the wheel assembly to achieve your desired depth.

SINGLE WHEEL (LH Shown)

DUAL WHEEL



Step 6: Set the Fertilizer Wheel Assembly Width

Set each Fertilizer Wheel Assembly to the desired spacing off the row (2" – 3") & then tighten the 3) 1/2" bolts from **STEP 4**.

SINGLE WHEEL

DUAL WHEEL

WHEEL ADJUSTMENT

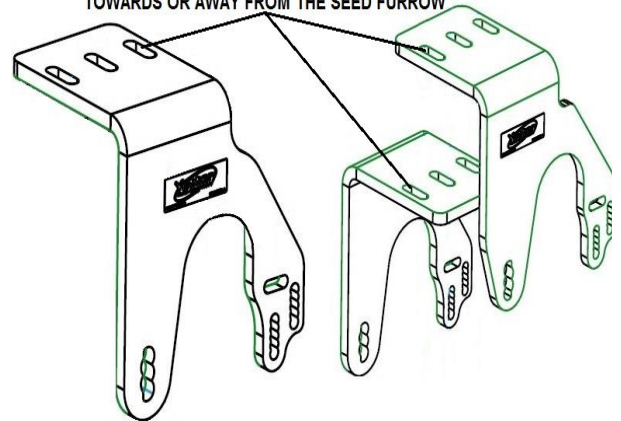
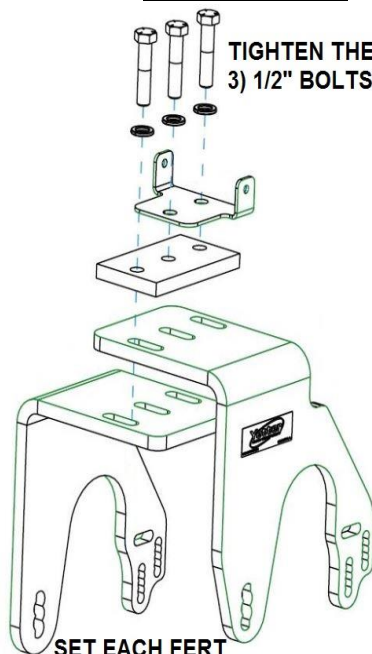
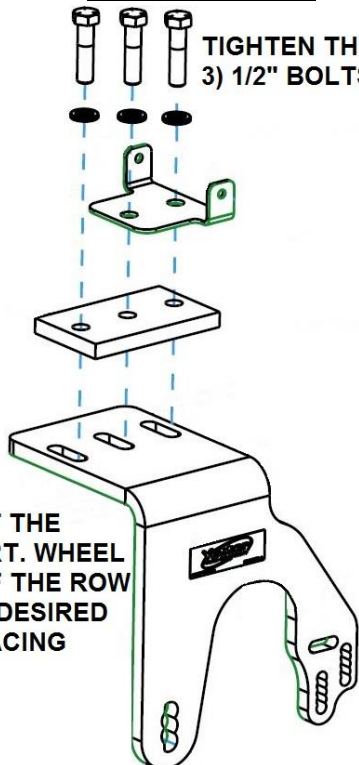
TIGHTEN THE
3) 1/2" BOLTS

TIGHTEN THE
3) 1/2" BOLTS

USE THE SLOTTED HOLES IN THE FERTILIZER
WHEEL MOUNT TO ADJUST EACH BLADE
TOWARDS OR AWAY FROM THE SEED FURROW

SET THE
FERT. WHEEL
OFF THE ROW
TO DESIRED
SPACING

SET EACH FERT
WHEEL OFF THE
ROW TO THE
DESIRED SPACING

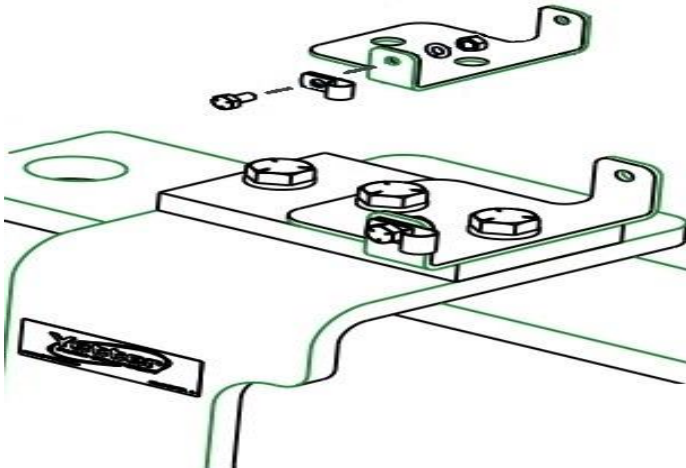


INSTALLATION INSTRUCTIONS

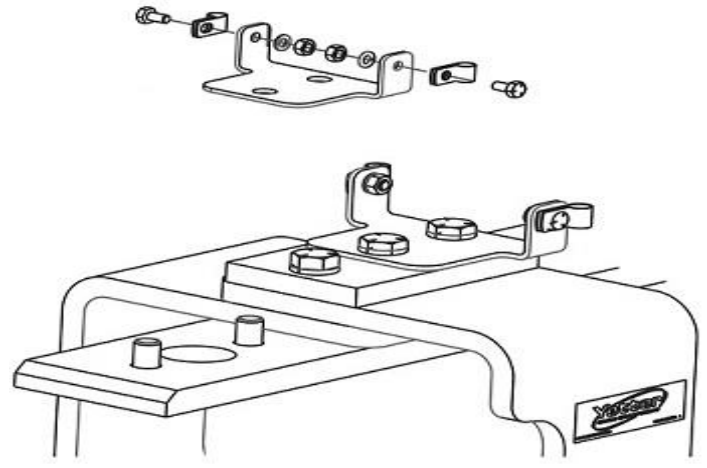
STEP 7: P-Clip Installation

Install each P-Clip to the Formed Hose Holder using $\frac{1}{4}$ " X $\frac{1}{2}$ " bolts, $\frac{1}{4}$ " lock washers, & $\frac{1}{4}$ " hex nuts. A P-Clip should be placed on the side with blade for single wheel placement & on both sides for dual wheel placement.

SINGLE WHEEL (LEFT SIDE SHOWN)

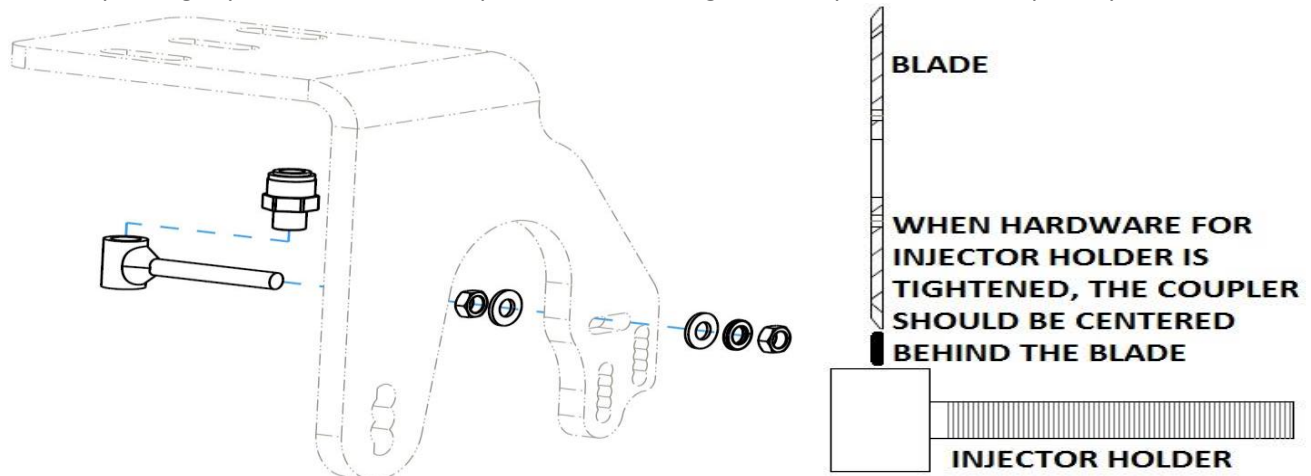


DUAL WHEEL

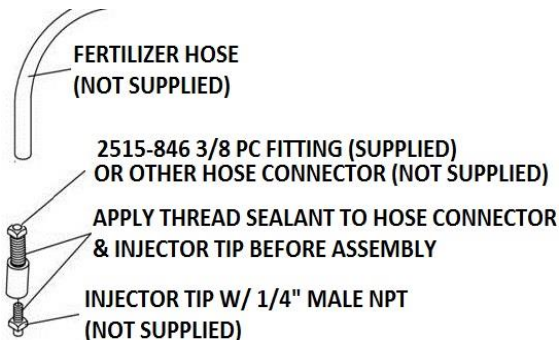


STEP 8A: INJECTOR INSTALLATION

Install each Injector Holder behind each blade. Thread a $\frac{3}{8}$ " hex jam nut on the threaded rod roughly 2", place a $\frac{3}{8}$ " flat washer over the threaded rod against the hex jam nut. Slide the threaded rod thru the horizontal slotted hole on the fertilizer wheel mount so that the threaded rod end is on the outside of the fertilizer wheel mount. Place a $\frac{3}{8}$ " flat washer & $\frac{3}{8}$ " lock washer over the end, & thread another $\frac{3}{8}$ " hex jam nut. Before tightening, center the coupler behind the blade & point the bottom of the coupler slightly forward. Install the push connect fitting on the top side of the coupler if you wish to use it.



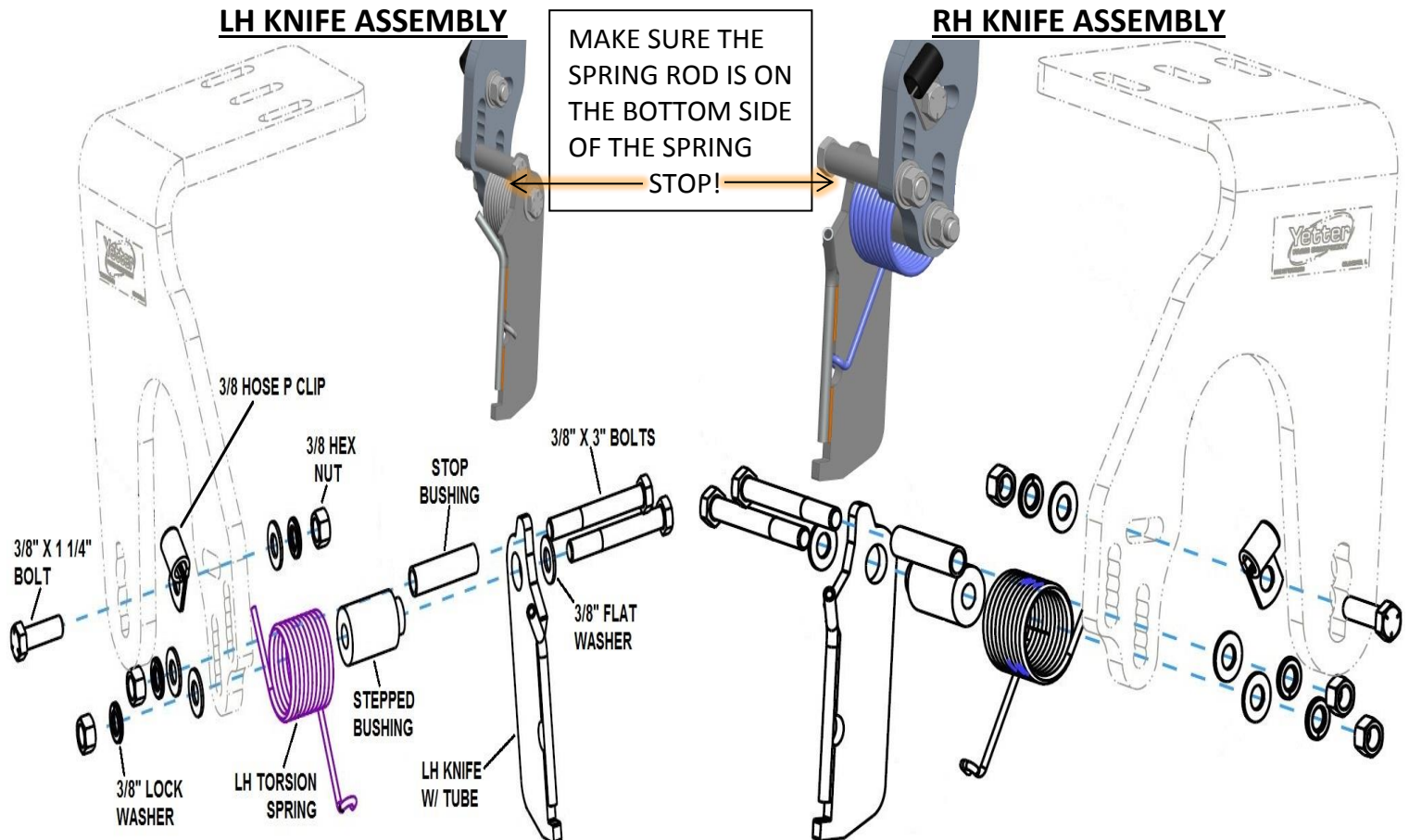
Assemble nozzle tip (not supplied) to each 2968-218 injector holder. Injector tips can be ordered through fertilizer equipment dealer. Calibrate the fertilizer pump and tips to **maximum recommended pressure of 30PSI and minimum 20PSI at the tip**. Attach the fertilizer hose to the top side of each coupler.



INSTALLATION INSTRUCTIONS

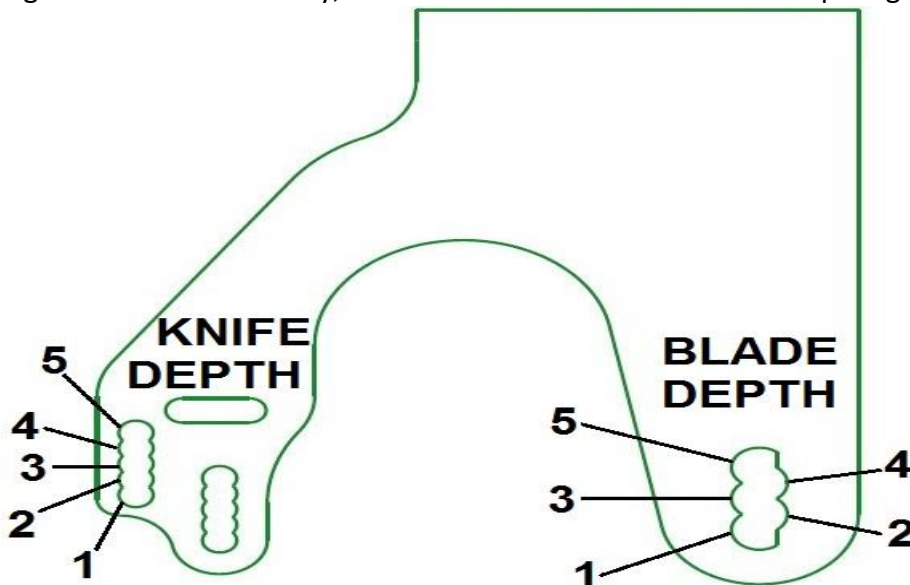
STEP 8B: REAR KNIFE INSTALLATION

Assemble the 3/8 Hose P Clip to the horizontally slotted hole by placing the P Clip over the bolt threads, insert the 3/8" bolt thru the slotted hole, place a 3/8" flat washer & 3/8" lock washer over the bolt, & install a 3/8 hex nut. Insert 1) 3/8" X 3" bolt thru the stop bushing & insert the bolt thru 1 of the rear set of vertical holes that matches the blade. (If blade is in the 2nd hole from the bottom, the stop bolt/bushing needs to be in the 2nd hole from bottom) Place a 3/8" flat washer & lock washer over the bolt on the outside of the mount plate & hand tighten the 3/8" nut. Insert the hook on the spring onto the notch on the knife & place the stepped bushing thru the spring. Place 1) 3/8" flat washer over the remaining 3/8" X 3" bolt, insert bolt thru knife/stepped bushing, & insert bolt thru 1 of the front set of vertical holes that match the stop bolt/bushing. Make sure the spring wire stop is on the bottom side of the stop bushing. Once the bolt is in position, place a 3/8" flat washer & lock washer over the bolt & hand tighten the 3/8" nut. Make sure the stepped bushing goes thru the knife & then tighten all the hardware down from this step.



OPERATION

- On dual fertilizer placement, the wheels are staggered front to back to keep the soil from heaving.
- Fertilizer can be placed 2" – 3" off the seed furrow. Please see your agronomist to determine best spacing on the rate that's being applied.
- Calibrate the fertilizer pump and tips to **maximum pressure of 30PSI and minimum 20PSI at the tip.**
- Residue managers are recommended if residue is present in planting conditions to eliminate hair pinning.
- Blade replacement is necessary when the depth cannot be achieved or the blade struggles to penetrate the soil.
- If there is buildup of damp soil on the planter gauge wheels or opener disks, then conditions are less than ideal & some problems may also be encountered with the fertilizer wheel.
- Seed depth will need rechecked after fertilizer unit installation.
- More row unit down force will be needed to maintain fertilizer wheel depth.
- The knife hole positions are ¼" shallower than the blade. For example, if using a 10" blade, the bottom hole setting on the blade will be ¼" deeper than bottom hole setting for the knife.
- When the knife/spring is assembled correctly, the knife should have tension to keep it against the down stop.



BLADE DEPTH SETTINGS

<u>POSITION</u>	<u>DEPTH (USING 10" NOTCHED BLADE)</u>
1	5/8" BELOW DOUBLE DISC OPENERS
2	3/8" BELOW DOUBLE DISC OPENERS
3	1/8" BELOW DOUBLE DISC OPENERS
4	1/8" ABOVE DOUBLE DISC OPENERS
5	3/8" ABOVE DOUBLE DISC OPENERS

<u>POSITION</u>	<u>DEPTH (USING 11" NOTCHED BLADE)</u>
1	1 1/8" BELOW DOUBLE DISC OPENERS
2	7/8" BELOW DOUBLE DISC OPENERS
3	5/8" BELOW DOUBLE DISC OPENERS
4	3/8" BELOW DOUBLE DISC OPENERS
5	1/8" BELOW DOUBLE DISC OPENERS

KNIFE DEPTH SETTINGS

<u>POSITION</u>	<u>KNIFE DEPTH</u>
1	3/8" BELOW DOUBLE DISC OPENERS
2	1/8" BELOW DOUBLE DISC OPENERS
3	1/8" ABOVE DOUBLE DISC OPENERS
4	3/8" ABOVE DOUBLE DISC OPENERS
5	5/8" ABOVE DOUBLE DISC OPENERS

OPERATION

LIQUID FERTILIZER APPLICATION RATE & PRESSURE CHART – TABLES BASED ON 30” NOZZLE SPACING

TIP #	LIQUID PRESSURE IN PSI	CAPACITY 1 NOZZLE IN GPM	GALLONS PER ACRE (USING WATER)					
			4 MPH H2O	5 MPH H2O	5.5 MPH H2O	6 MPH H2O	7 MPH H2O	8MPH H2O
#00015	20	0.11	5.45	4.36	3.96	3.63	3.11	2.72
	25	0.12	5.94	4.75	4.32	3.96	3.39	2.97
	30	0.13	6.44	5.15	4.68	4.29	3.68	3.22
	40	0.15	7.43	5.94	5.40	4.95	4.24	3.71
	50	0.17	8.42	6.73	6.12	5.61	4.81	4.21
	60	0.18	8.91	7.13	6.48	5.94	5.09	4.46
#0002	20	0.14	6.93	5.54	5.04	4.62	3.96	3.47
	25	0.16	7.92	6.34	5.76	5.28	4.53	3.96
	30	0.17	8.42	6.73	6.12	5.61	4.81	4.21
	40	0.20	9.90	7.92	7.20	6.60	5.66	4.95
	50	0.23	11.39	9.11	8.28	7.59	6.51	5.69
	60	0.25	12.38	9.90	9.00	8.25	7.07	6.19
#0003	20	0.21	10.40	8.32	7.56	6.93	5.94	5.20
	25	0.24	11.88	9.50	8.64	7.92	6.79	5.94
	30	0.26	12.87	10.30	9.36	8.58	7.35	6.44
	40	0.30	14.85	11.88	10.80	9.90	8.49	7.43
	50	0.34	16.83	13.46	12.24	11.22	9.62	8.42
	60	0.37	18.32	14.65	13.32	12.21	10.47	9.16
#0004	20	0.28	13.86	11.09	10.08	9.24	7.92	6.93
	25	0.32	15.84	12.67	11.52	10.56	9.05	7.92
	30	0.35	17.33	13.86	12.60	11.55	9.90	8.66
	40	0.40	19.80	15.84	14.40	13.20	11.31	9.90
	50	0.45	22.28	17.82	16.20	14.85	12.73	11.14
	60	0.49	24.26	19.40	17.64	16.17	13.86	12.13
#0005	20	0.35	17.33	13.86	12.60	11.55	9.90	8.66
	25	0.40	19.80	15.84	14.40	13.20	11.31	9.90
	30	0.43	21.29	17.03	15.48	14.19	12.16	10.64
	40	0.50	24.75	19.80	18.00	16.50	14.14	12.38
	50	0.56	27.72	22.18	20.16	18.48	15.84	13.86
	60	0.61	30.20	24.16	21.96	20.13	17.25	15.10
#0006	20	0.42	20.79	16.63	15.12	13.86	11.88	10.40
	25	0.47	23.27	18.61	16.92	15.51	13.29	11.63
	30	0.52	25.74	20.59	18.72	17.16	14.71	12.87
	40	0.60	29.70	23.76	21.60	19.80	16.97	14.85
	50	0.67	33.17	26.53	24.12	22.11	18.95	16.58
	60	0.74	36.63	29.30	26.364	24.42	20.93	18.32
#0008	20	0.57	28.22	22.57	20.52	18.81	16.12	14.11
	25	0.63	31.19	24.95	22.68	20.79	17.82	15.59
	30	0.69	34.16	27.32	24.84	22.77	19.52	17.08
	40	0.80	39.60	31.68	28.80	26.40	22.63	19.80
	50	0.89	44.06	35.24	32.04	29.37	25.17	22.03
	60	0.98	48.51	38.81	35.28	32.34	27.72	24.26
#0010	20	0.71	35.15	28.12	25.56	23.43	20.08	17.57
	25	0.79	39.11	31.28	28.44	26.07	22.35	19.55
	30	0.87	43.07	34.45	31.32	28.71	24.61	21.53
	40	1.00	49.50	39.60	36.00	33.00	28.29	24.75
	50	1.12	55.44	44.35	40.32	36.96	31.68	27.72
	60	1.23	60.89	48.71	44.28	40.59	34.79	30.44
#0015	20	1.06	52.47	41.98	38.16	34.98	29.98	26.24
	25	1.19	58.91	47.12	42.84	39.27	33.66	29.45
	30	1.30	64.35	51.48	46.80	42.90	36.77	32.18
	40	1.50	74.25	59.40	54.00	49.50	42.43	37.13
	50	1.68	83.16	66.53	60.48	55.44	47.52	41.58
	60	1.81	89.60	71.68	65.16	59.73	51.20	44.80

Row Spacing Multiplier	10" X 3.3	15" X 2.0	20" X 1.5	36" X .83	38" X .79	40" X .75
------------------------	-----------	-----------	-----------	-----------	-----------	-----------

Values in this chart area based on using water. To calculate nozzle size required for your fertilizer application, the weight of the fertilizer solution must be accounted for by using a conversion factor for specific gravity. The Conversion factor for 28% liquid nitrogen is 1.13. Example: desired rate of application is 10 GPA of 28% N multiply 10 gallons per acre of fertilizer you want to apply x the conversion factor for 28% N (1.13) to get an equivalent rate for water. 10 x 1.13 refers to the chart for 11.13 gallons per acre at your desired speed/MPH.

GPA = $\frac{5940 \times \text{GPM}}{\text{MPH} \times \text{W}}$
 (Per Nozzle)

H2O = WATER
GPA = GALLON PER ACRE
GPM = GALLON PER MINUTES
MPH = MILES PER HOUR
W = WIDTH

SOLUTION
28% = H2O/1.13
32% = H2O/1.15

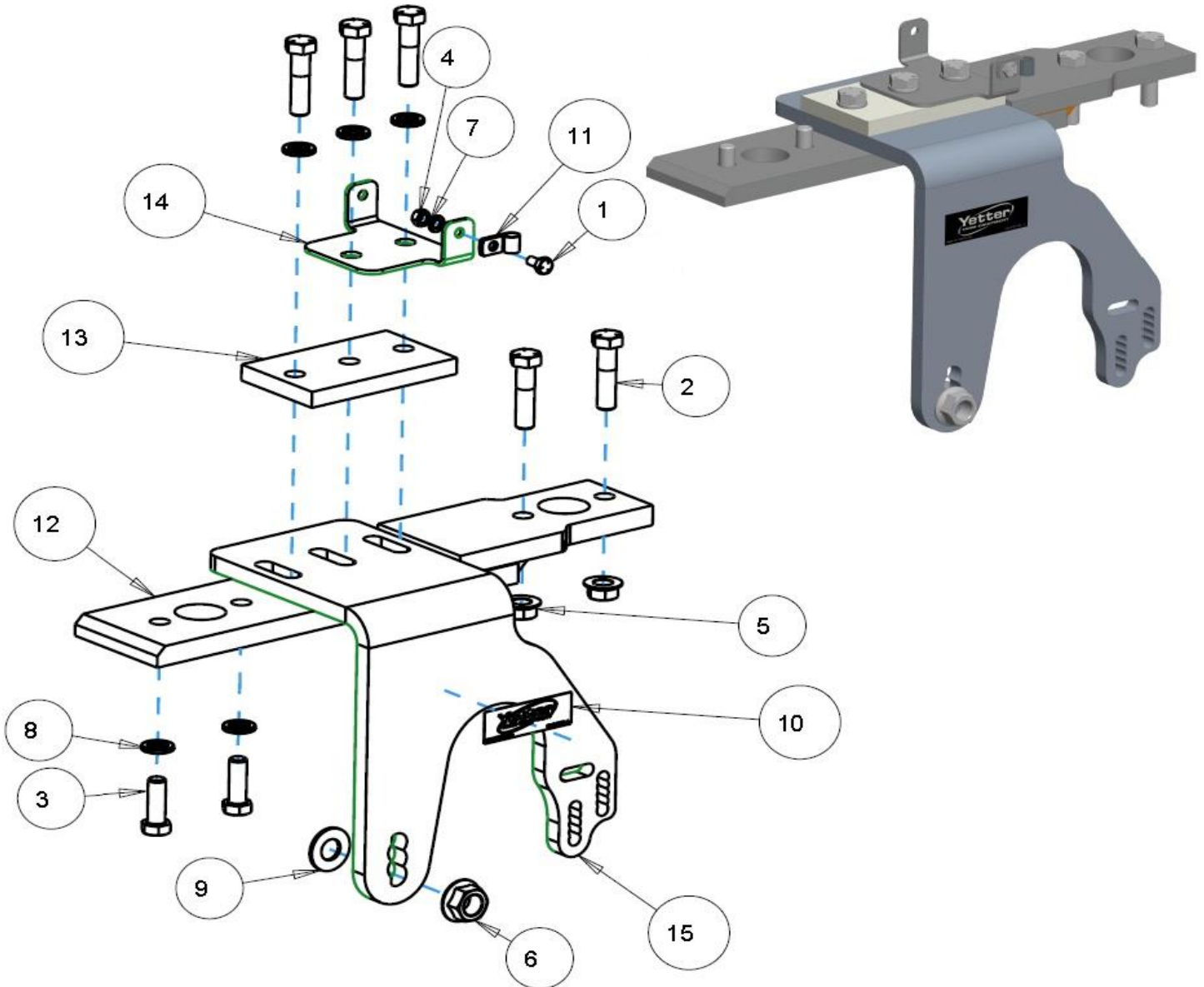
This table is a reference only. Please calibrate your equipment to insure proper rate of application.

The information contained in this issue is offered in good faith by Yetter Mfg. Co. to further the understanding of liquid fertilizer application.

However, the use of the information provided is beyond the control of Yetter Mfg. Co. and in no case shall Yetter Mfg. Co. or any seller of its products be responsible for any damages that may occur from the use of this information.

2968-020B-L-LB PARTS IDENTIFICATION

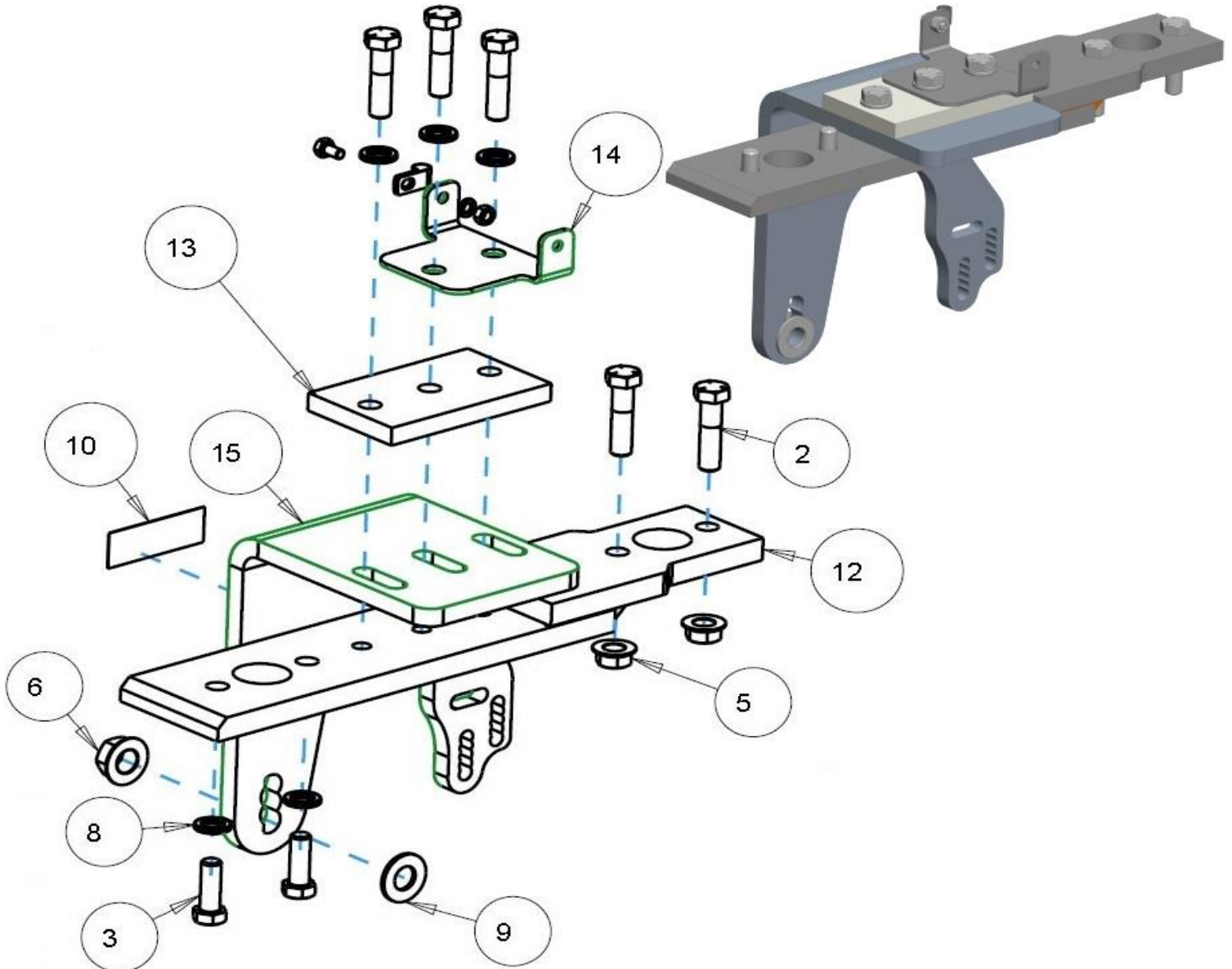
FOR JD 1700, 7200, & 7300



ITEM	PART #	DESCRIPTION	QTY
1	2502-104	¼ - 20 X ½ HHCS GR 5 ZYD	1
2	2502-351	½ - 13 X 2 HHCS GR 5 ZP	5
3	2502-379	M12 X 1.75 X 35 GRD 10.9 ZYD	2
4	2520-151	¼ - 20 HEX NUT ZP	1
5	2520-361	½ - 13 FLANGE WHIZ LOCK HEX NUT, GR 5, ZP	2
6	2520-464	5/8 - 11 WHIZ LOCK HEX NUT, GR 2, ZP	1
7	2525-151	¼ MEDIUM LOCK WASHER ZP	1
8	2525-352	½ MEDIUM LOCK WASHER ZP	5
9	2526-454	5/8 SAE FLAT WASHER HARDENED ZP	1
10	2565-179	YETTER DECAL	1
11	2570-724	3/8 HOSE P-CLIP WITH VINYL CUSHION	1
12	2968-222	FERTILIZER CLOSE WHEEL MOUNT W.A.	1
13	2968-361	ARM CLAMP	1
14	2968-363	FORMED HOSE HOLDER	1
15	2968-470-LH	LH SHORT FERTILIZER WHEEL MOUNT	1

2968-020B-R-LB PARTS IDENTIFICATION

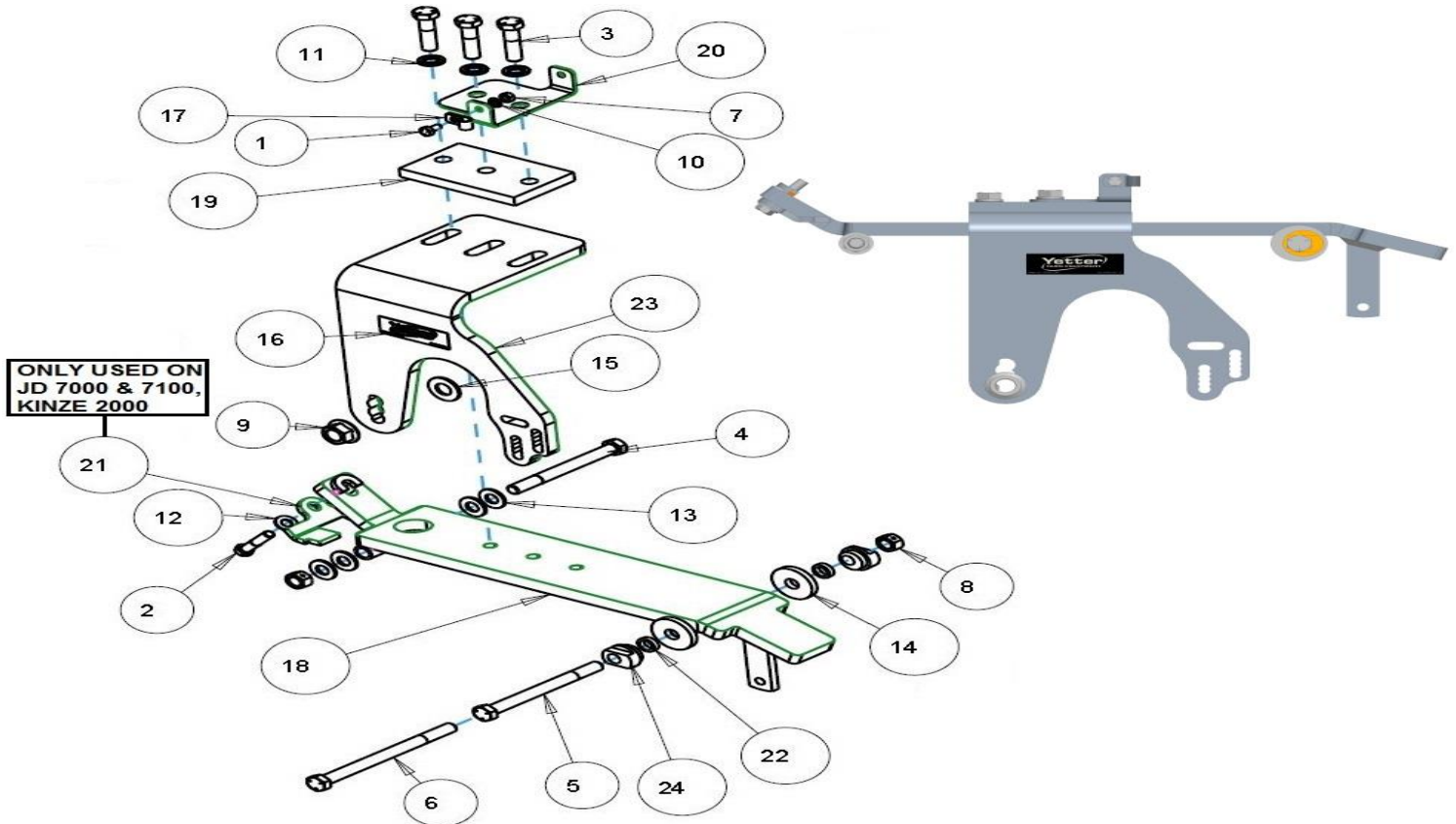
FOR JD 1700, 7200, & 7300



ITEM	PART #	DESCRIPTION	QTY
1	2502-104	¼ - 20 X ½ HHCS GR 5 ZYD	1
2	2502-351	½ - 13 X 2 HHCS GR 5 ZP	5
3	2502-379	M12 X 1.75 X 35 GRD 10.9 ZYD	2
4	2520-151	¼ - 20 HEX NUT ZP	1
5	2520-361	½ - 13 FLANGE WHIZ LOCK HEX NUT, GR 5, ZP	2
6	2520-464	5/8 - 11 WHIZ LOCK HEX NUT, GR 2, ZP	1
7	2525-151	¼ MEDIUM LOCK WASHER ZP	1
8	2525-352	½ MEDIUM LOCK WASHER ZP	5
9	2526-454	5/8 SAE FLAT WASHER HARDENED ZP	1
10	2565-179	YETTER DECAL	1
11	2570-724	3/8 HOSE P-CLIP WITH VINYL CUSHION	1
12	2968-222	FERTILIZER CLOSE WHEEL MOUNT W.A.	1
13	2968-361	ARM CLAMP	1
14	2968-363	FORMED HOSE HOLDER	1
15	2968-470-RH	RH SHORT FERTILIZER WHEEL MOUNT	1

2968-021B-L-LB PARTS IDENTIFICATION

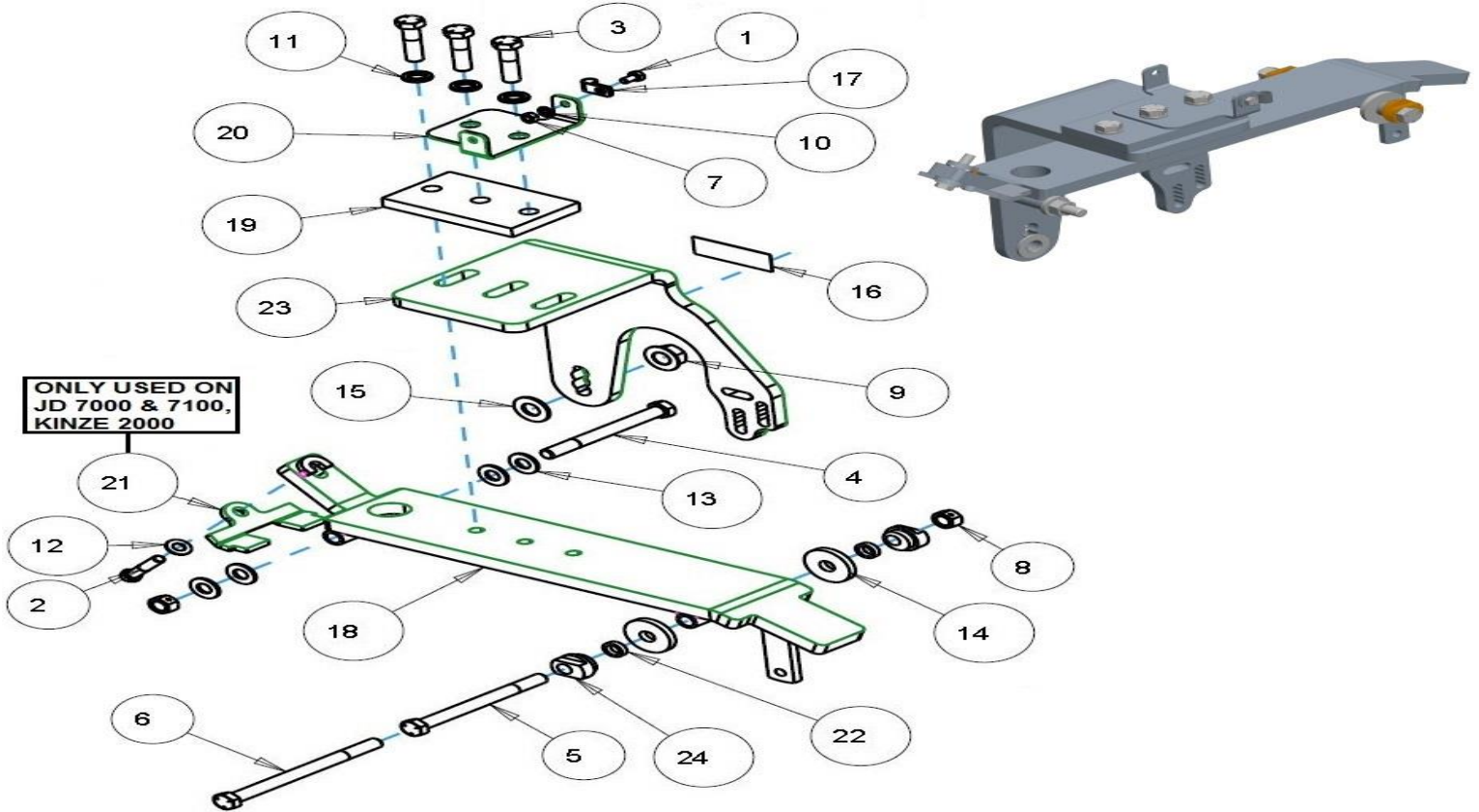
FOR JD 7000 & 7100, KINZE 2000 & 3000



ITEM	PART #	DESCRIPTION	QTY
1	2502-104	¼ - 20 X ½ HHCS GR 5 ZYD	1
2	2502-232	3/8 - 16 X 1 ½ HHCS GR 5 ZYD (USED ON KINZE 3000)	1
	2502-245	3/8 - 16 1 ¼ HHCS GR 5 ZP (USED ON JD 7000 & 7100, KINZE 2000)	1
3	2502-351	½ - 13 X 2 HHCS GR 5 ZP	3
4	2502-362	½ - 13 X 5 HHCS GR 5 ZP	1
5	2502-368	½ - 13 X 5 ½ HHCS GR 5 ZP	1
6	2502-372	½ - 13 X 6 ½ HHCS GR 5 ZP	1
7	2520-151	¼ - 20 HEX NUT ZP	1
8	2520-357	½ - 13 LOCK HEX NUT, GR A, ZP	2
9	2520-464	5/8 - 11 WHIZ LOCK HEX NUT, GR 2, ZP	1
10	2525-151	¼ MEDIUM LOCK WASHER ZP	1
11	2525-352	½ MEDIUM LOCK WASHER ZP	3
12	2526-253	3/8 SAE FLAT WASHER ZP	1
13	2526-352	½ SAE FLAT WASHER ZP	4
14	2526-402	9/16ID X 1 ¾OD X 1/4MB ZP	2
15	2526-454	5/8 SAE FLAT WASHER HARDENED ZP	1
16	2565-179	YETTER DECAL	1
17	2570-724	3/8 HOSE P-CLIP WITH VINYL CUSHION	1
18	2968-223	FERTILIZER CLOSE WHEEL MOUNT W.A.	1
19	2968-361	ARM CLAMP	1
20	2968-363	FORMED HOSE HOLDER	1
21	2968-370	GAUGE WHEEL ARM STOP(ONLY USED ON JD 7000 & 7100, KINZE 2000)	1
22	2968-373	SPACER	2
23	2968-470-LH	SHORT FERT. WHEEL MOUNT, LH	1
24	6000-523	ECCENTRIC BUSHING CLOSE WHEEL	2

2968-021B-R-LB PARTS IDENTIFICATION

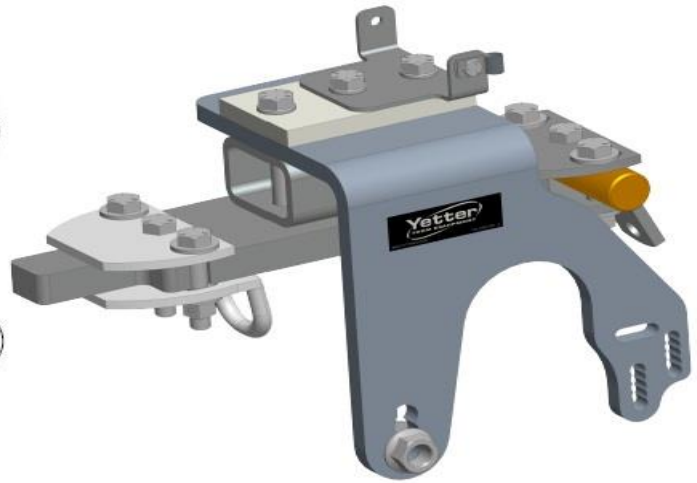
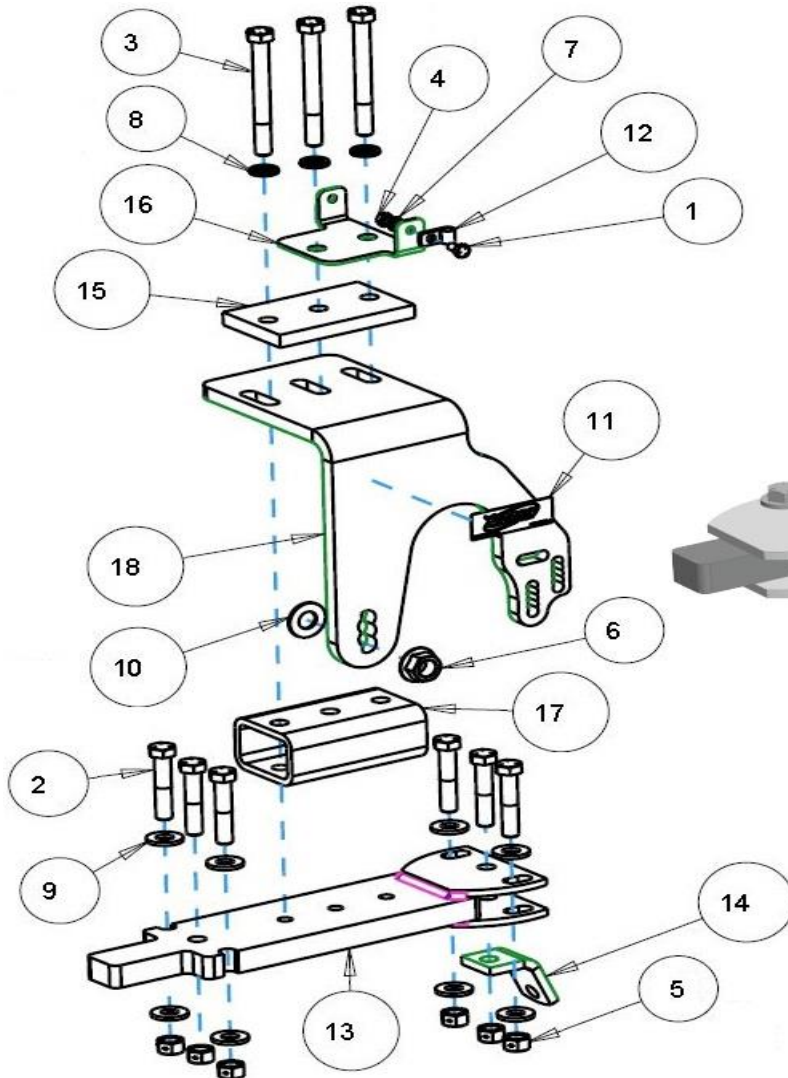
FOR JD 7000 & 7100, KINZE 2000 & 3000



ITEM	PART #	DESCRIPTION	QTY
1	2502-104	¼ - 20 X ½ HHCS GR 5 ZYD	1
2	2502-232	3/8 - 16 X 1 ½ HHCS GR 5 ZYD (USED ON KINZE 3000)	1
	2502-245	3/8 - 16 1 ¼ HHCS GR 5 ZP (USED ON JD 7000 & 7100, KINZE 2000)	1
3	2502-351	½ - 13 X 2 HHCS GR 5 ZP	3
4	2502-362	½ - 13 X 5 HHCS GR 5 ZP	1
5	2502-368	½ - 13 X 5 ½ HHCS GR 5 ZP	1
6	2502-372	½ - 13 X 6 ½ HHCS GR 5 ZP	1
7	2520-151	¼ - 20 HEX NUT ZP	1
8	2520-357	½ - 13 LOCK HEX NUT, GR A, ZP	2
9	2520-464	5/8 - 11 WHIZ LOCK HEX NUT, GR 2, ZP	1
10	2525-151	¼ MEDIUM LOCK WASHER ZP	1
11	2525-352	½ MEDIUM LOCK WASHER ZP	3
12	2526-253	3/8 SAE FLAT WASHER ZP	1
13	2526-352	½ SAE FLAT WASHER ZP	4
14	2526-402	9/16ID X 1 ¾OD X 1/4MB ZP	2
15	2526-454	5/8 SAE FLAT WASHER HARDENED ZP	1
16	2565-179	YETTER DECAL	1
17	2570-724	3/8 HOSE P-CLIP WITH VINYL CUSHION	1
18	2968-223	FERTILIZER CLOSE WHEEL MOUNT W.A.	1
19	2968-361	ARM CLAMP	1
20	2968-363	FORMED HOSE HOLDER	1
21	2968-370	GAUGE WHEEL ARM STOP (ONLY USED ON JD 7000 & 7100, KINZE 2000)	1
22	2968-373	SPACER	2
23	2968-470-RH	SHORT FERT. WHEEL MOUNT, RH	1
24	6000-523	ECCENTRIC BUSHING CLOSE WHEEL	2

2968-022B-L-LB PARTS IDENTIFICATION

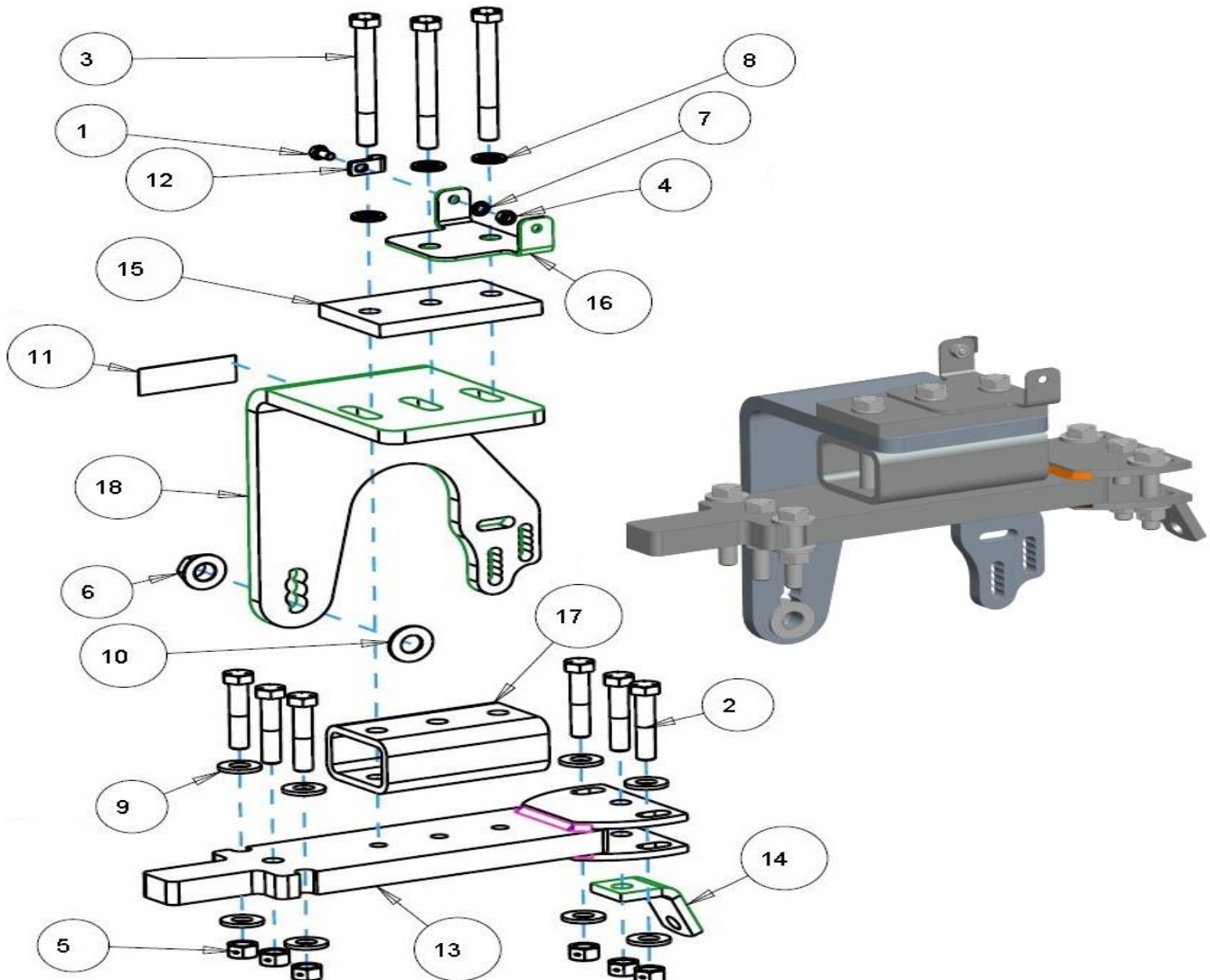
WHITE 8000



ITEM	PART #	DESCRIPTION	QTY
1	2502-104	¼ - 20 X ½ HHCS GR 5 ZYD	1
2	2502-296	½ - 13 X 2 ½ HHCS GR 5 ZP	6
3	2502-314	½ - 13 X 2 ¼ HHCS GR 5 ZP	3
4	2520-151	¼ - 20 HEX NUT ZP	1
5	2520-357	½ - 13 LOCK HEX NUT, GR A, ZP	6
6	2520-464	5/8 - 11 WHIZ LOCK HEX NUT, GR 2, ZP	1
7	2525-151	¼ MEDIUM LOCK WASHER ZP	1
8	2525-352	½ MEDIUM LOCK WASHER ZP	3
9	2526-355	½ FLAT WASHER HARDENED ZP	8
10	2526-454	5/8 SAE FLAT WASHER HARDENED ZP	1
11	2565-179	YETTER DECAL	1
12	2570-724	3/8 HOSE P-CLIP WITH VINYL CUSHION	1
13	2968-224	FERTILIZER CLOSE WHEEL MOUNT W.A.	1
14	2968-334	SPRING ANCHOR TAB	1
15	2968-361	ARM CLAMP	1
16	2968-363	FORMED HOSE HOLDER	1
17	2968-469	2" ARM SPACER	1
18	2968-470-LH	LH SHORT FERTILIZER WHEEL MOUNT	1

2968-022B-R-LB PARTS IDENTIFICATION

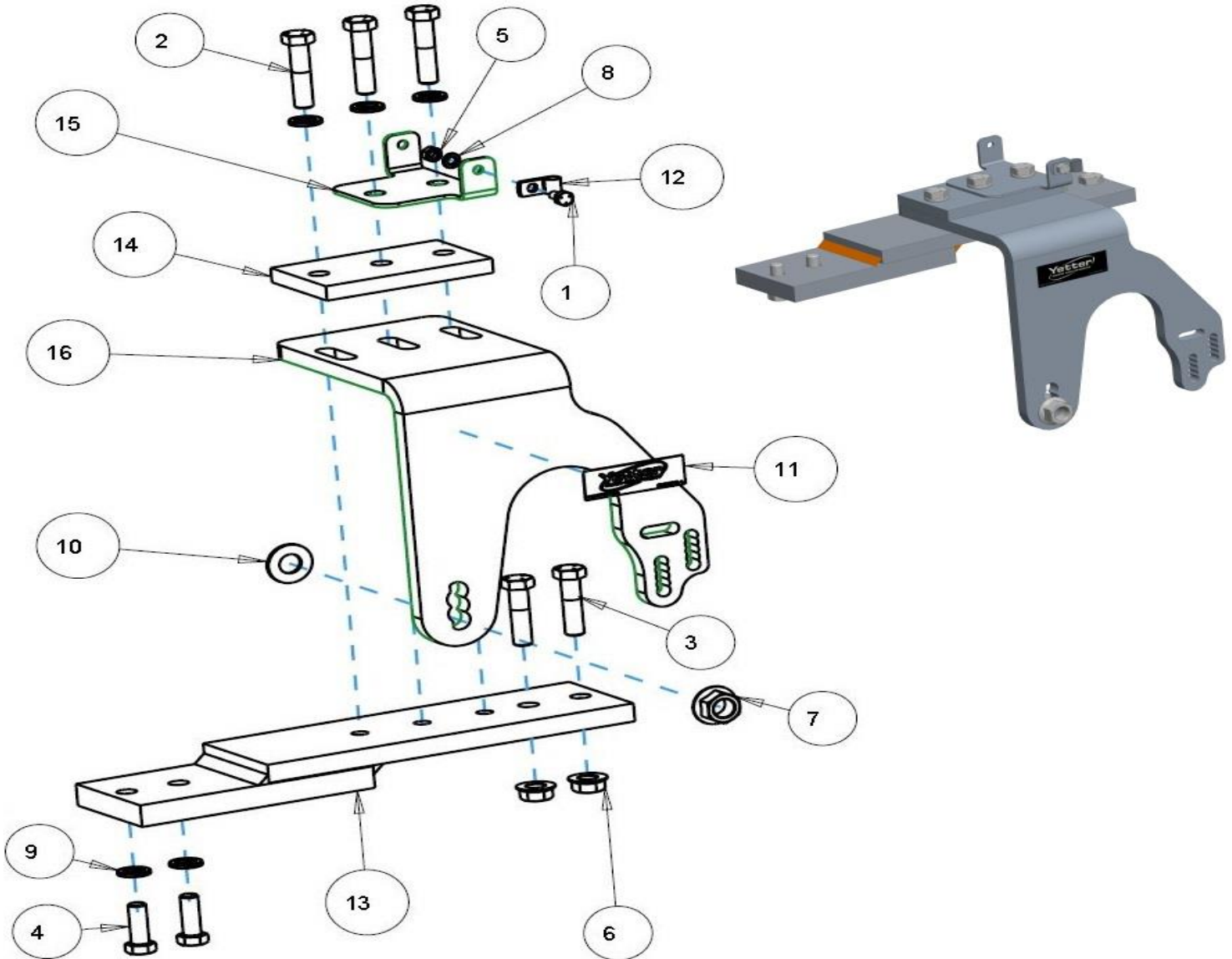
WHITE 8000



ITEM	PART #	DESCRIPTION	QTY
1	2502-104	¼ - 20 X ½ HHCS GR 5 ZYD	1
2	2502-296	½ - 13 X 2 ½ HHCS GR 5 ZP	6
3	2502-314	½ - 13 X 2 ¼ HHCS GR 5 ZP	3
4	2520-151	¼ - 20 HEX NUT ZP	1
5	2520-357	½ - 13 LOCK HEX NUT, GR A, ZP	6
6	2520-464	5/8 - 11 WHIZ LOCK HEX NUT, GR 2, ZP	1
7	2525-151	¼ MEDIUM LOCK WASHER ZP	1
8	2525-352	½ MEDIUM LOCK WASHER ZP	3
9	2526-355	½ FLAT WASHER HARDENED ZP	8
10	2526-454	5/8 SAE FLAT WASHER HARDENED ZP	1
11	2565-179	YETTER DECAL	1
12	2570-724	3/8 HOSE P-CLIP WITH VINYL CUSHION	1
13	2968-224	FERTILIZER CLOSE WHEEL MOUNT W.A.	1
14	2968-334	SPRING ANCHOR TAB	1
15	2968-361	ARM CLAMP	1
16	2968-363	FORMED HOSE HOLDER	1
17	2968-469	2" ARM SPACER	1
18	2968-470-RH	RH SHORT FERTILIZER WHEEL MOUNT	1

2968-025B-L-LB PARTS IDENTIFICATION

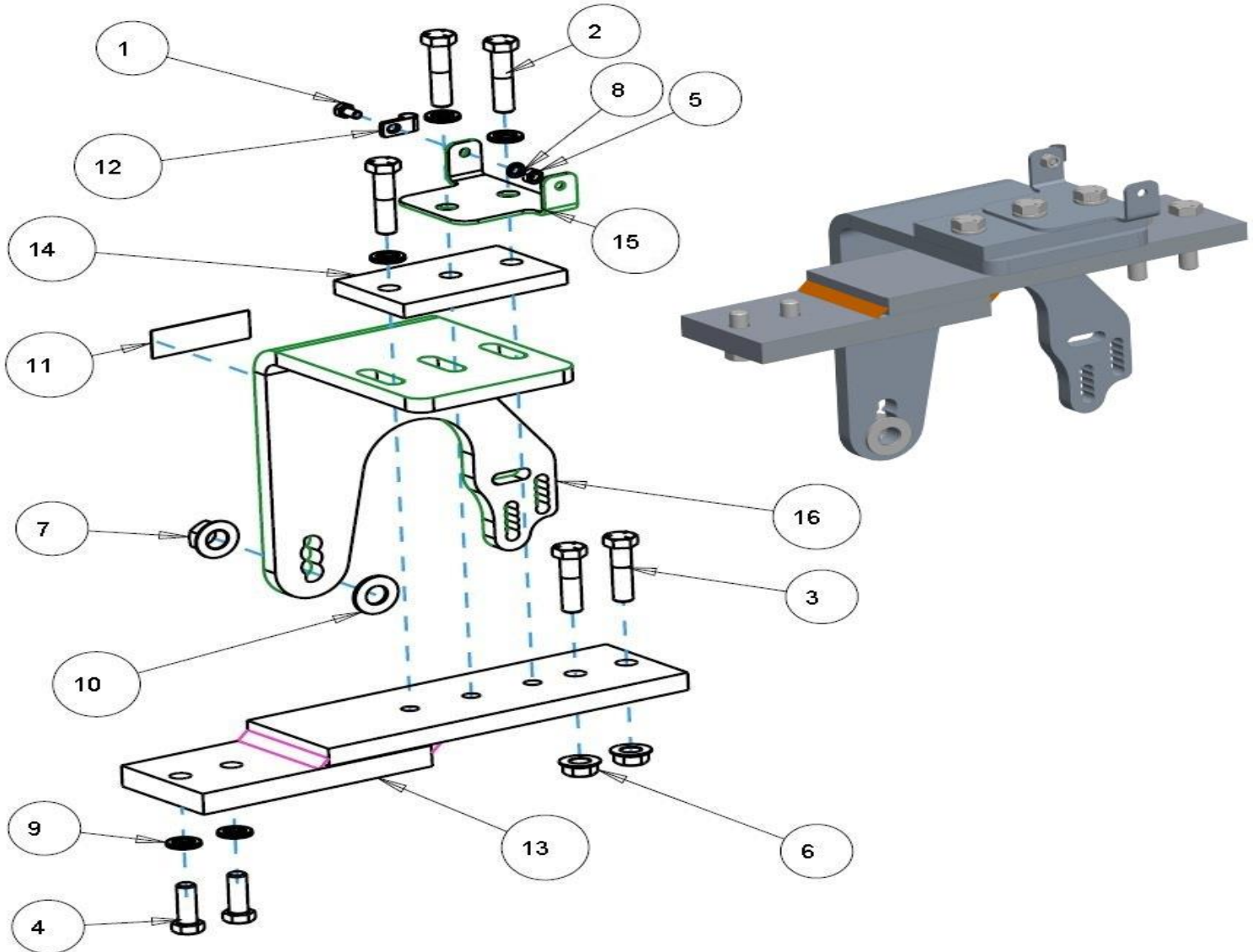
WHITE 9000



ITEM	PART #	DESCRIPTION	QTY
1	2502-104	¼ - 20 X ½ HHCS GR 5 ZYD	1
2	2502-314	½ - 13 X 2 ¼ HHCS GR 5 ZP	3
3	2502-351	½ - 13 X 2 HHCS GR 5 ZP	2
4	2502-379	M12 X 1.75 X 35 GR 10.9 ZYD	2
5	2520-151	¼ - 20 HEX NUT ZP	1
6	2520-361	½ - 13 FLANGE WHIZLOCK HEX NUT, GR A, ZP	2
7	2520-464	5/8 - 11 WHIZ LOCK HEX NUT, GR 2, ZP	1
8	2525-151	¼ MEDIUM LOCK WASHER ZP	1
9	2525-352	½ MEDIUM LOCK WASHER ZP	5
10	2526-454	5/8 SAE FLAT WASHER HARDENED ZP	1
11	2565-179	YETTER DECAL	1
12	2570-724	3/8 HOSE P-CLIP WITH VINYL CUSHION	1
13	2968-220	FERTILIZER CLOSE WHEEL MOUNT W.A.	1
14	2968-361	ARM CLAMP	1
15	2968-363	FORMED HOSE HOLDER	1
16	2968-470-LH	LH SHORT FERTILIZER WHEEL MOUNT	1

2968-025B-R-LB PARTS IDENTIFICATION

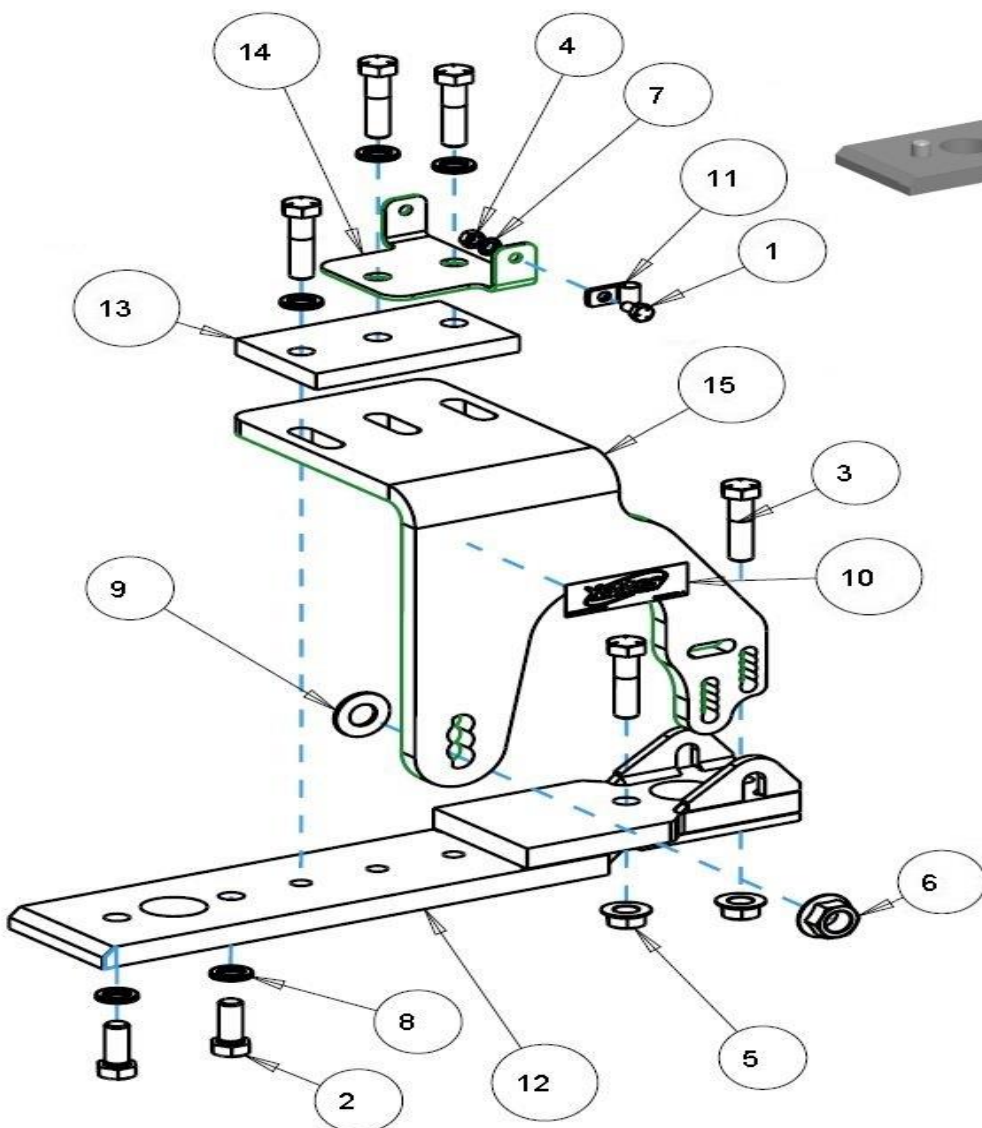
WHITE 9000



ITEM	PART #	DESCRIPTION	QTY
1	2502-104	¼ - 20 X ½ HHCS GR 5 ZYD	1
2	2502-314	½ - 13 X 2 ¼ HHCS GR 5 ZP	3
3	2502-351	½ - 13 X 2 HHCS GR 5 ZP	2
4	2502-379	M12 X 1.75 X 35 GR 10.9 ZYD	2
5	2520-151	¼ - 20 HEX NUT ZP	1
6	2520-361	½ - 13 FLANGE WHIZLOCK HEX NUT, GR A, ZP	2
7	2520-464	5/8 - 11 WHIZ LOCK HEX NUT, GR 2, ZP	1
8	2525-151	¼ MEDIUM LOCK WASHER ZP	1
9	2525-352	½ MEDIUM LOCK WASHER ZP	5
10	2526-454	5/8 SAE FLAT WASHER HARDENED ZP	1
11	2565-179	YETTER DECAL	1
12	2570-724	3/8 HOSE P-CLIP WITH VINYL CUSHION	1
13	2968-220	FERTILIZER CLOSE WHEEL MOUNT W.A.	1
14	2968-361	ARM CLAMP	1
15	2968-363	FORMED HOSE HOLDER	1
16	2968-470-RH	RH SHORT FERTILIZER WHEEL MOUNT	1

2968-026A-L-LB PARTS IDENTIFICATION

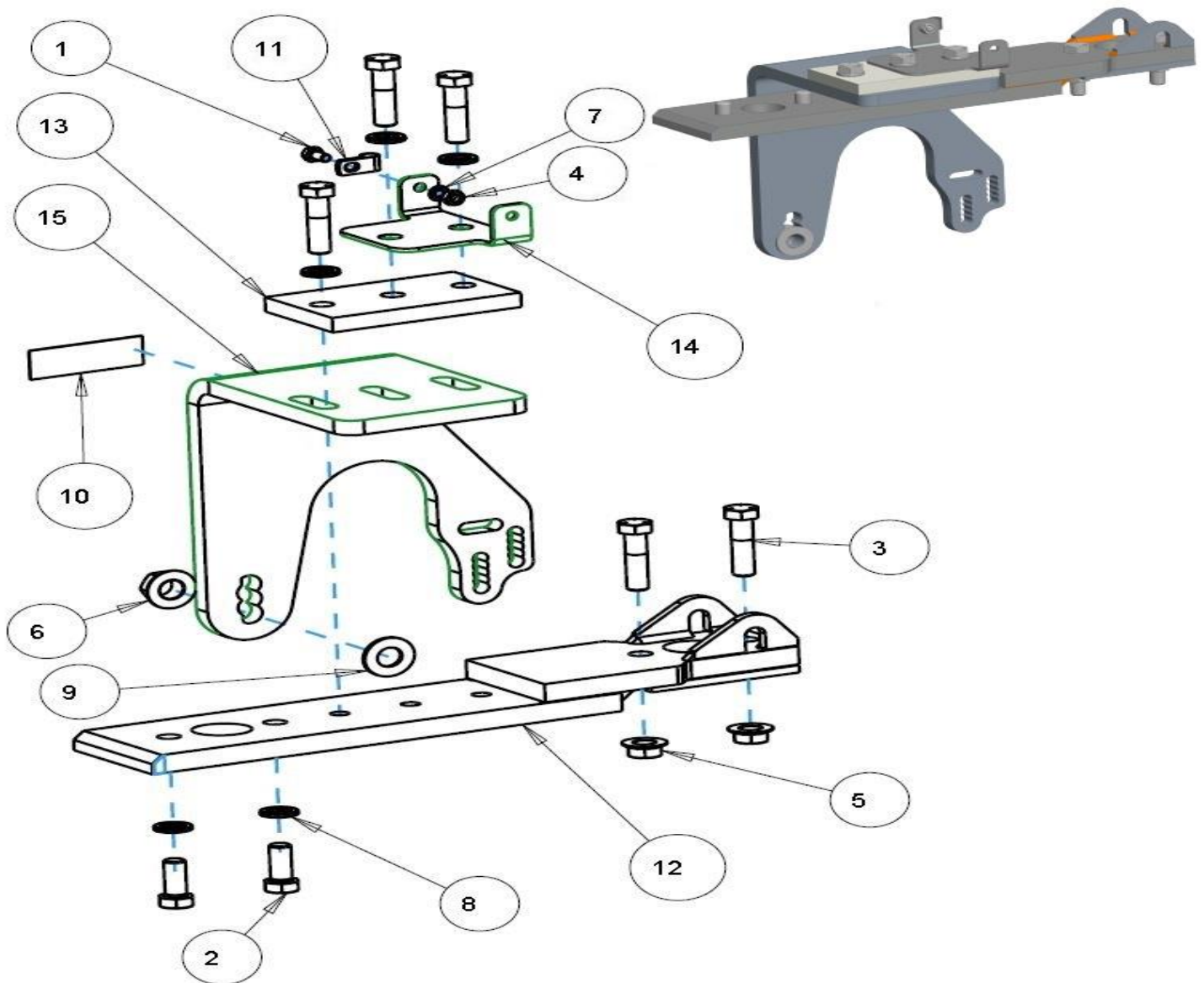
HARVEST INTERNATIONAL



ITEM	PART #	DESCRIPTION	QTY
1	2502-104	¼ - 20 X ½ HHCS GR 5 ZYD	1
2	2502-293	½ - 13 X 1 ¼ HHCS GR 5 ZP	2
3	2502-351	½ - 13 X 2 HHCS GR 5 ZP	5
4	2520-151	¼ - 20 HEX NUT ZP	1
5	2520-361	½ - 13 FLANGE WHIZ LOCK HEX NUT, GR 5, ZP	2
6	2520-464	5/8 - 11 WHIZ LOCK HEX NUT, GR 2, ZP	1
7	2525-151	¼ MEDIUM LOCK WASHER ZP	1
8	2525-352	½ MEDIUM LOCK WASHER ZP	5
9	2526-454	5/8 SAE FLAT WASHER HARDENED ZP	1
10	2565-179	YETTER DECAL	1
11	2570-724	3/8 HOSE P-CLIP WITH VINYL CUSHION	1
12	2968-225	FERTILIZER CLOSE WHEEL MOUNT W.A.	1
13	2968-361	ARM CLAMP	1
14	2968-363	FORMED HOSE HOLDER	1
15	2968-470-LH	LH SHORT FERTILIZER WHEEL MOUNT	1

2968-026A-R-LB PARTS IDENTIFICATION

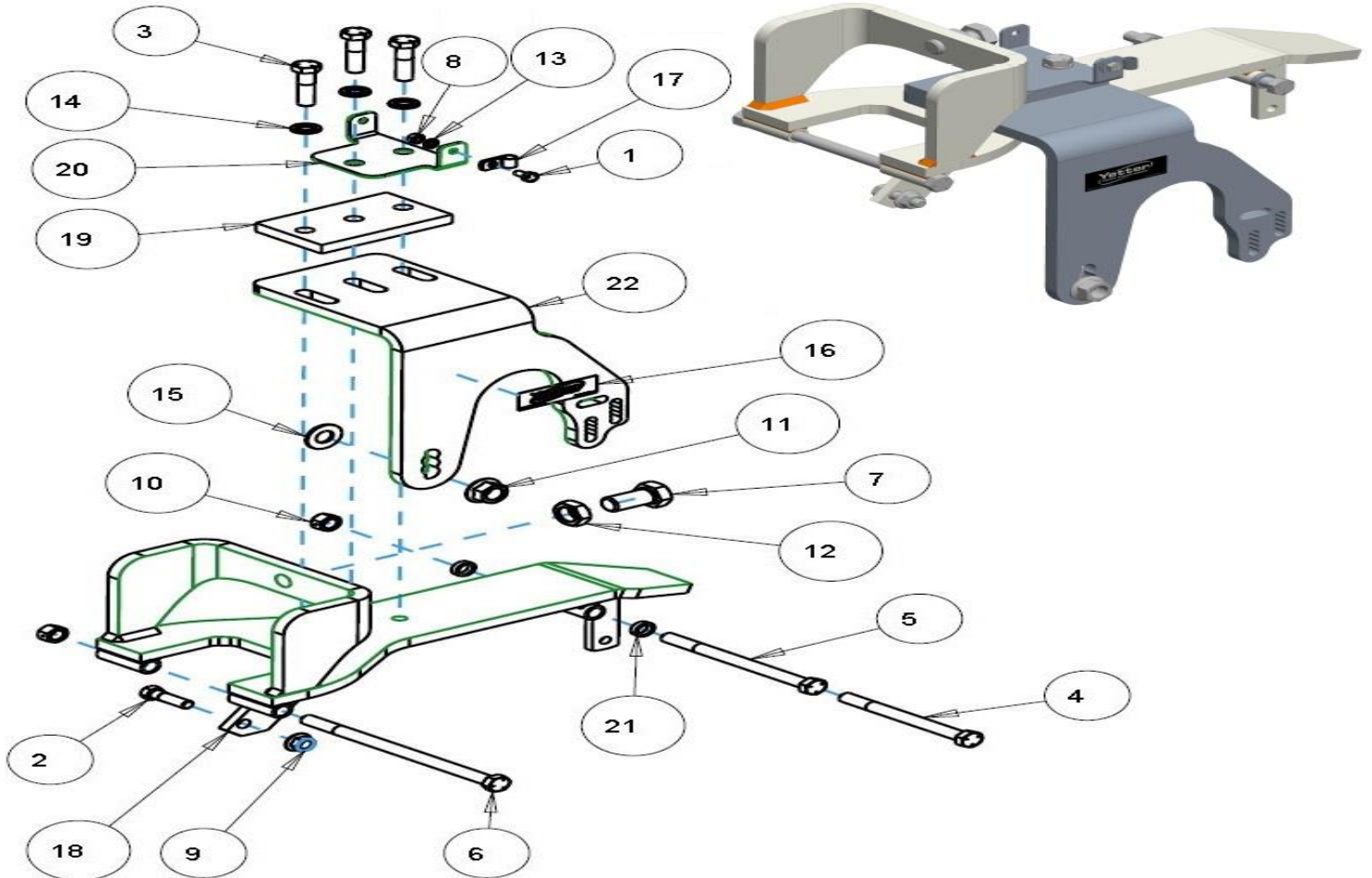
HARVEST INTERNATIONAL



ITEM	PART #	DESCRIPTION	QTY
1	2502-104	¼ - 20 X ½ HHCS GR 5 ZYD	1
2	2502-293	½ - 13 X 1 ¼ HHCS GR 5 ZP	2
3	2502-351	½ - 13 X 2 HHCS GR 5 ZP	5
4	2520-151	¼ - 20 HEX NUT ZP	1
5	2520-361	½ - 13 FLANGE WHIZ LOCK HEX NUT, GR 5, ZP	2
6	2520-464	5/8 - 11 WHIZ LOCK HEX NUT, GR 2, ZP	1
7	2525-151	¼ MEDIUM LOCK WASHER ZP	1
8	2525-352	½ MEDIUM LOCK WASHER ZP	5
9	2526-454	5/8 SAE FLAT WASHER HARDENED ZP	1
10	2565-179	YETTER DECAL	1
11	2570-724	3/8 HOSE P-CLIP WITH VINYL CUSHION	1
12	2968-225	FERTILIZER CLOSE WHEEL MOUNT W.A.	1
13	2968-361	ARM CLAMP	1
14	2968-363	FORMED HOSE HOLDER	1
15	2968-470-RH	RH SHORT FERTILIZER WHEEL MOUNT	1

2968-027A-L-LB PARTS IDENTIFICATION

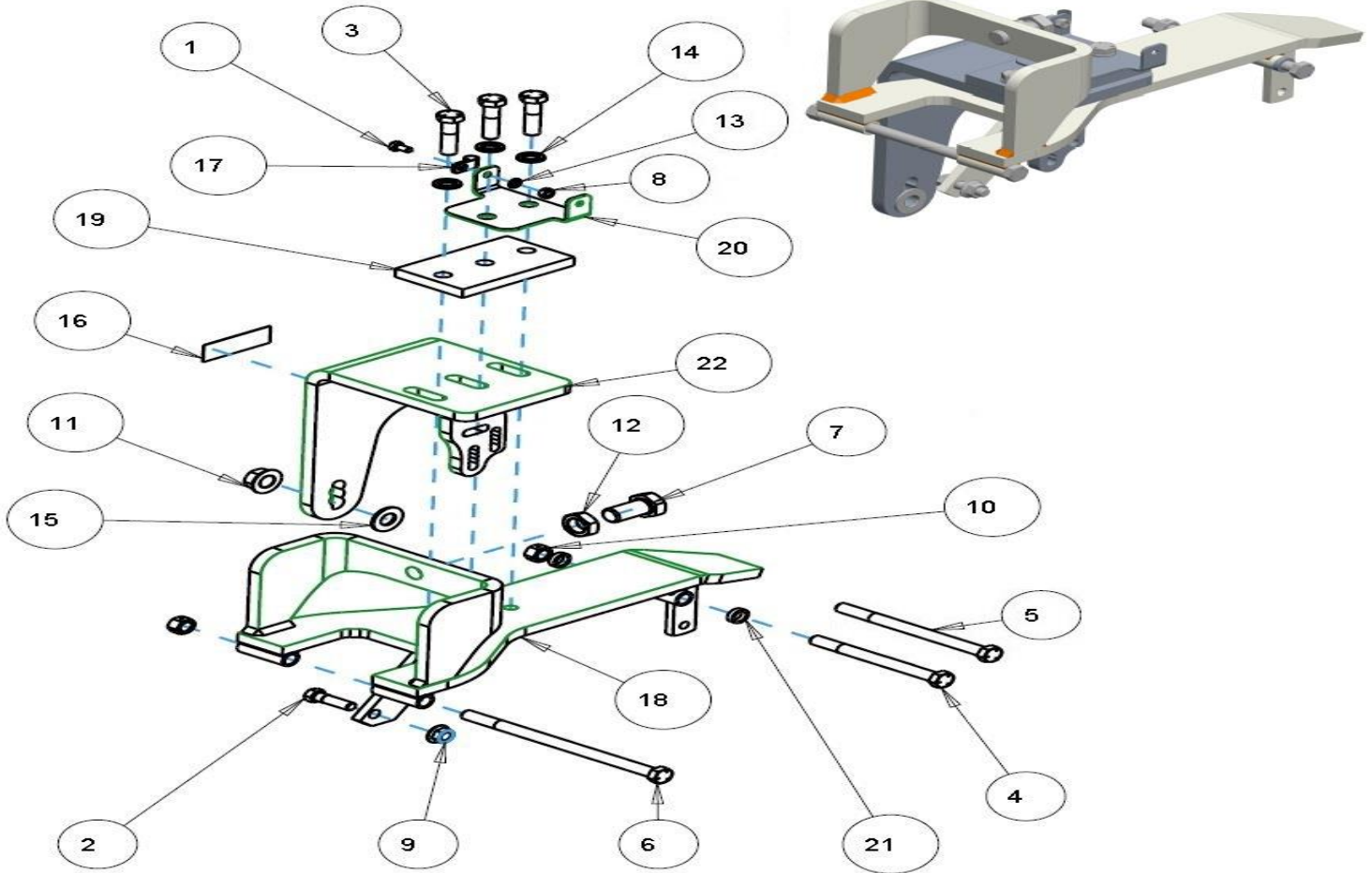
KINZE 4900



ITEM	PART #	DESCRIPTION	QTY
1	2502-104	¼ - 20 X ½ HHCS GR 5 ZYD	1
2	2502-266	7/16 - 14 X 1 ½ HHCS GR 5 ZP	1
3	2502-351	½ - 13 X 2 HHCS GR 5 ZP	3
4	2502-368	½ - 13 X 5 ½ HHCS GR 5 ZP	1
5	2502-372	½ - 13 X 6 ½ HHCS GR 5 ZP	1
6	2502-375	½ - 13 X 8 ½ HHCS GR 5 ZP	1
7	2502-501	¾ - 10 X 1 ½ HHCS GR 5 ZP	1
8	2520-151	¼ - 20 HEX NUT ZP	1
9	2520-307	7/16 - 14 FLANGE LOCK NUT	1
10	2520-357	½ - 13 LOCK HEX NUT, GR A, ZP	2
11	2520-464	5/8 - 11 WHIZ LOCK HEX NUT, GR 2, ZP	1
12	2520-502	¾ - 10 HEX JAM NUT, GR 2, ZP	1
13	2525-151	¼ MEDIUM LOCK WASHER ZP	1
14	2525-352	½ MEDIUM LOCK WASHER ZP	3
15	2526-454	5/8 SAE FLAT WASHER HARDENED ZP	1
16	2565-179	YETTER DECAL	1
17	2570-724	3/8 HOSE P-CLIP WITH VINYL CUSHION	1
18	2968-228	FERTILIZER CLOSE WHEEL MOUNT W.A.	1
19	2968-361	ARM CLAMP	1
20	2968-363	FORMED HOSE HOLDER	1
21	2968-373	SPACER	2
22	2968-470-LH	LH SHORT FERTILIZER WHEEL MOUNT	1

2968-027A-R-LB PARTS IDENTIFICATION

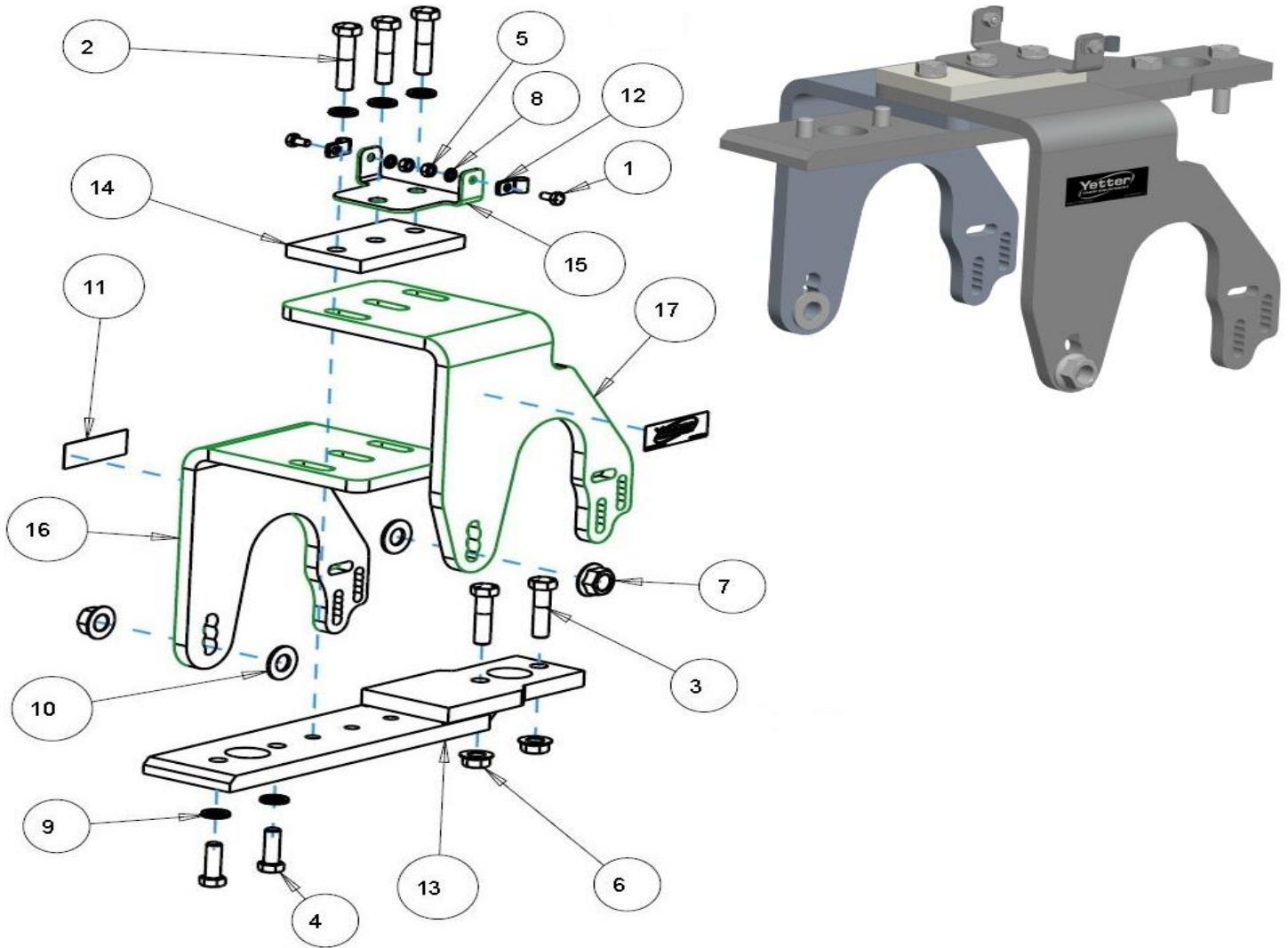
KINZE 4900



ITEM	PART #	DESCRIPTION	QTY
1	2502-104	¼ - 20 X ½ HHCS GR 5 ZYD	1
2	2502-266	7/16 - 14 X 1 ½ HHCS GR 5 ZP	1
3	2502-351	½ - 13 X 2 HHCS GR 5 ZP	3
4	2502-368	½ - 13 X 5 ½ HHCS GR 5 ZP	1
5	2502-372	½ - 13 X 6 ½ HHCS GR 5 ZP	1
6	2502-375	½ - 13 X 8 ½ HHCS GR 5 ZP	1
7	2502-501	¾ - 10 X 1 ½ HHCS GR 5 ZP	1
8	2520-151	¼ - 20 HEX NUT ZP	1
9	2520-307	7/16 - 14 FLANGE LOCK NUT	1
10	2520-357	½ - 13 LOCK HEX NUT, GR A, ZP	2
11	2520-464	5/8 - 11 WHIZ LOCK HEX NUT, GR 2, ZP	1
12	2520-502	¾ - 10 HEX JAM NUT, GR 2, ZP	1
13	2525-151	¼ MEDIUM LOCK WASHER ZP	1
14	2525-352	½ MEDIUM LOCK WASHER ZP	3
15	2526-454	5/8 SAE FLAT WASHER HARDENED ZP	1
16	2565-179	YETTER DECAL	1
17	2570-724	3/8 HOSE P-CLIP WITH VINYL CUSHION	1
18	2968-228	FERTILIZER CLOSE WHEEL MOUNT W.A.	1
19	2968-361	ARM CLAMP	1
20	2968-363	FORMED HOSE HOLDER	1
21	2968-373	SPACER	2
22	2968-470-RH	RH SHORT FERTILIZER WHEEL MOUNT	1

2968-040A-LB PARTS IDENTIFICATION

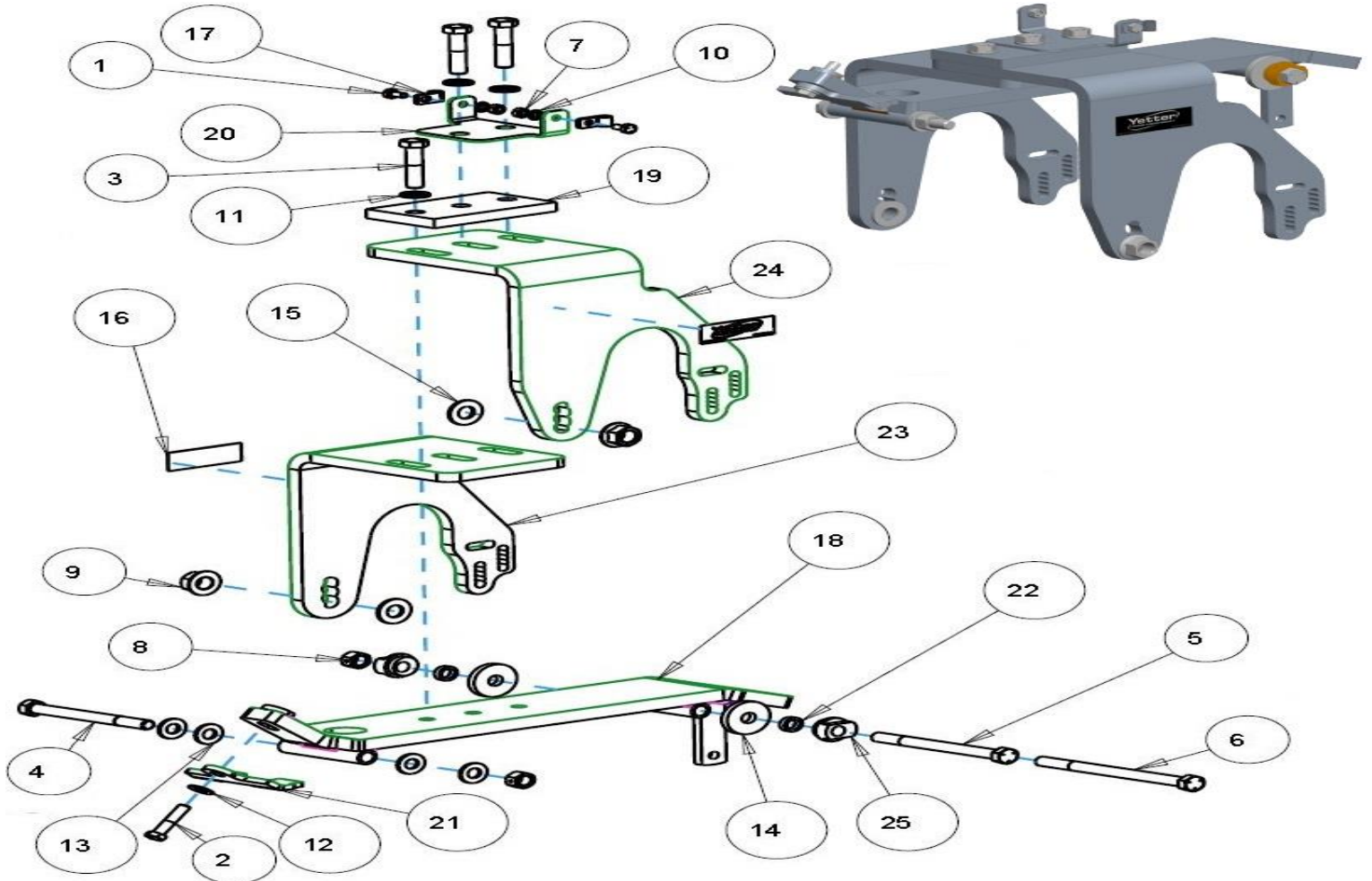
FOR JD 1700, 7200, & 7300



ITEM	PART #	DESCRIPTION	QTY
1	2502-104	¼ - 20 X ½ HHCS GR 5 ZYD	2
2	2502-314	½ - 13 X 2 ¼ HHCS GR 5 ZP	3
3	2502-351	½ - 13 X 2 HHCS GR 5 ZP	2
4	2502-379	M12 X 1.75 X 35 GRD 10.9 ZYD	2
5	2520-151	¼ - 20 HEX NUT ZP	2
6	2520-361	½ - 13 FLANGE WHIZ LOCK HEX NUT, GR 5, ZP	2
7	2520-464	5/8 - 11 WHIZ LOCK HEX NUT, GR 2, ZP	2
8	2525-151	¼ MEDIUM LOCK WASHER ZP	2
9	2525-352	½ MEDIUM LOCK WASHER ZP	5
10	2526-454	5/8 SAE FLAT WASHER HARDENED ZP	2
11	2565-179	YETTER DECAL	2
12	2570-724	3/8 HOSE P-CLIP WITH VINYL CUSHION	2
13	2968-222	FERTILIZER CLOSE WHEEL MOUNT W.A.	2
14	2968-361	ARM CLAMP	1
15	2968-363	FORMED HOSE HOLDER	2
16	2968-470-RH	RH SHORT FERTILIZER WHEEL MOUNT	1
17	2968-471-LH	LH TALL FERT. WHEEL MOUNT	1

2968-041A-LB PARTS IDENTIFICATION

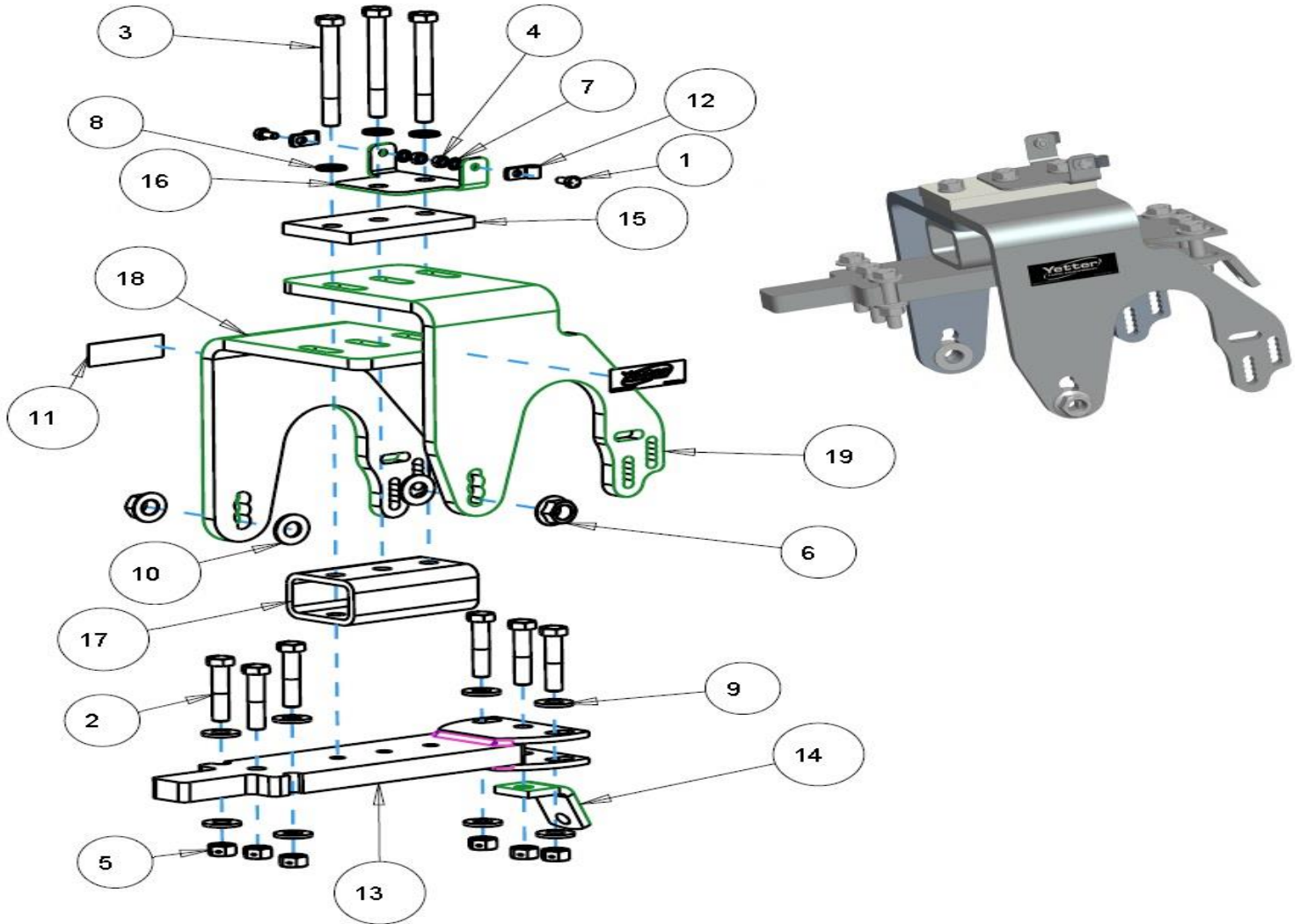
FOR JD 7000 & 7100, KINZE 2000 & 3000



ITEM	PART #	DESCRIPTION	QTY
1	2502-104	¼ - 20 X ½ HHCS GR 5 ZYD	2
2	2502-232	3/8 - 16 X 1 ½ HHCS GR 5 ZYD (USED ON KINZE 3000)	1
	2502-245	3/8 - 16 1 ¼ HHCS GR 5 ZP (USED ON JD 7000 & 7100, KINZE 2000)	1
3	2502-314	½ - 13 X 2 ¼ HHCS GR 5 ZP	3
4	2502-362	½ - 13 X 5 HHCS GR 5 ZP	1
5	2502-368	½ - 13 X 5 ½ HHCS GR 5 ZP	1
6	2502-372	½ - 13 X 6 ½ HHCS GR 5 ZP	1
7	2520-151	¼ - 20 HEX NUT ZP	2
8	2520-357	½ - 13 LOCK HEX NUT, GR A, ZP	2
9	2520-464	5/8 - 11 WHIZ LOCK HEX NUT, GR 2, ZP	2
10	2525-151	¼ MEDIUM LOCK WASHER ZP	2
11	2525-352	¼ MEDIUM LOCK WASHER ZP	3
12	2526-253	3/8 SAE FLAT WASHER ZP	1
13	2526-352	½ SAE FLAT WASHER ZP	4
14	2526-402	9/16ID X 1 ¾OD X 1/4MB ZP	2
15	2526-454	5/8 SAE FLAT WASHER HARDENED ZP	2
16	2565-179	YETTER DECAL	2
17	2570-724	3/8 HOSE P-CLIP WITH VINYL CUSHION	2
18	2968-223	FERTILIZER CLOSE WHEEL MOUNT W.A.	1
19	2968-361	ARM CLAMP	1
20	2968-363	FORMED HOSE HOLDER	1
21	2968-370	GAUGE WHEEL ARM STOP (ONLY USED ON JD 7000 & 7100, KINZE 2000)	1
22	2968-373	SPACER	2
23	2968-470-RH	RH SHORT FERTILIZER WHEEL	1
24	2968-471-LH	LH TALL FERTILIZER WHEEL MOUNT	1
25	6000-523	ECCENTRIC BUSHING CLOSE WHEEL MOUNT	2

2968-042A-LB PARTS IDENTIFICATION

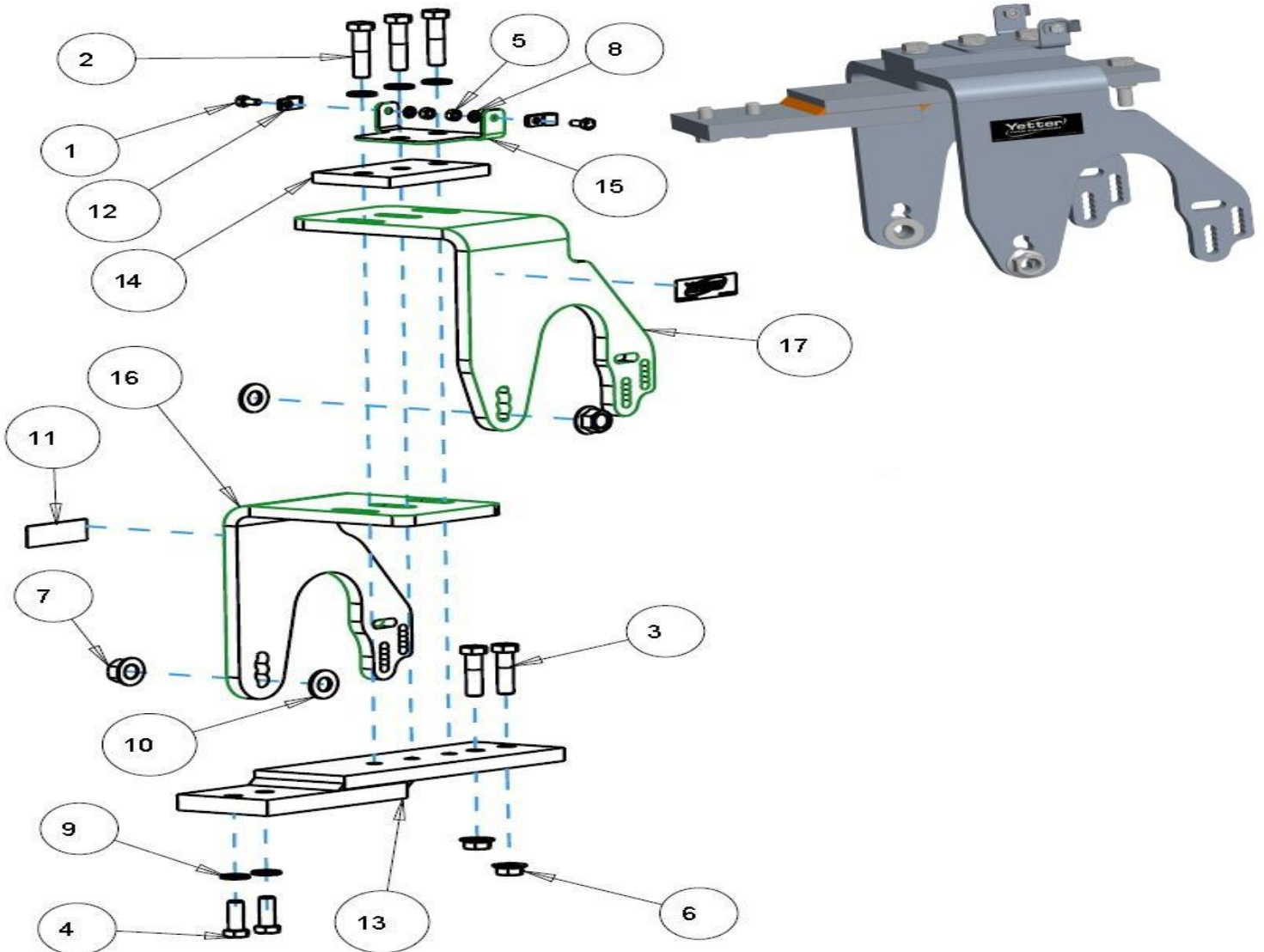
WHITE 8000



ITEM	PART #	DESCRIPTION	QTY
1	2502-104	¼ - 20 X ½ HHCS GR 5 ZYD	2
2	2502-296	½ - 13 X 2 ½ HHCS GR 5 ZP	6
3	2502-361	½ - 13 X 4 ½ HHCS GR 5 ZP	3
4	2520-151	¼ - 20 HEX NUT ZP	2
5	2520-357	½ - 13 LOCK HEX NUT, GR A, ZP	6
6	2520-464	5/8 - 11 WHIZ LOCK HEX NUT, GR 2, ZP	2
7	2525-151	¼ MEDIUM LOCK WASHER ZP	2
8	2525-352	½ MEDIUM LOCK WASHER ZP	3
9	2526-355	½ FLAT WASHER HARDENED ZP	8
10	2526-454	5/8 SAE FLAT WASHER HARDENED ZP	2
11	2565-179	YETTER DECAL	2
12	2570-724	3/8 HOSE P-CLIP WITH VINYL CUSHION	2
13	2968-224	FERTILIZER CLOSE WHEEL MOUNT W.A.	1
14	2968-334	SPRING ANCHOR MOUNT TAB	1
15	2968-361	ARM CLAMP	1
16	2968-363	FORMED HOSE HOLDER	2
17	2968-469	2" ARM SPACER	1
18	2968-470-RH	RH SHORT FERTILIZER WHEEL MOUNT	1
19	2968-471-LH	LH TALL FERT. WHEEL MOUNT	1

2968-043A-LB PARTS IDENTIFICATION

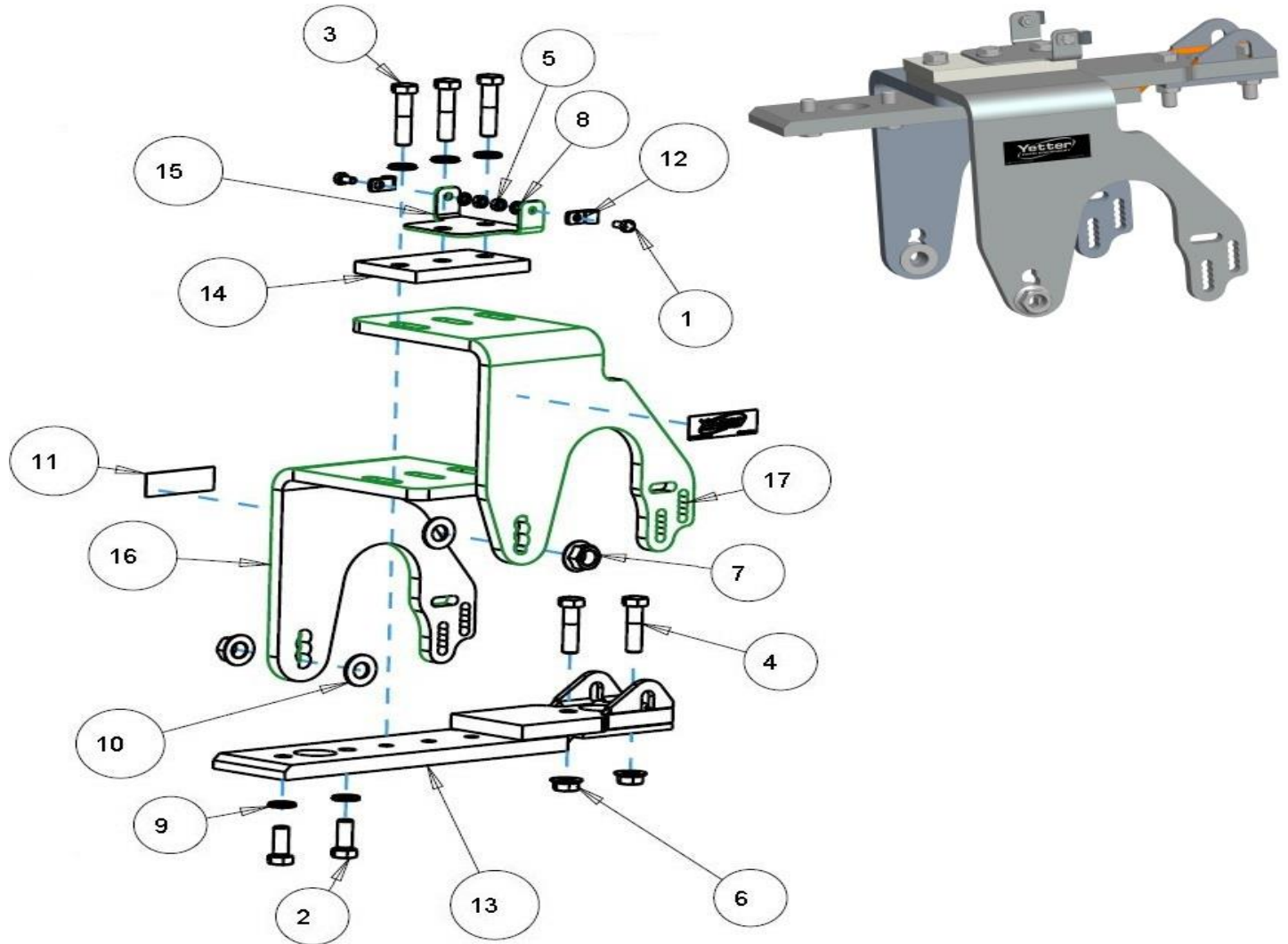
WHITE 9000



ITEM	PART #	DESCRIPTION	QTY
1	2502-104	¼ - 20 X ½ HHCS GR 5 ZYD	2
2	2502-314	½ - 13 X 2 ¼ HHCS GR 5 ZP	3
3	2502-351	½ - 13 X 2 HHCS GR 5 ZP	2
4	2502-379	M12 X 1.75 X 35 GR 10.9 ZYD	2
5	2520-151	¼ - 20 HEX NUT ZP	2
6	2520-361	½ - 13 FLANGE WHIZLOCK HEX NUT, GR A, ZP	2
7	2520-464	5/8 - 11 WHIZ LOCK HEX NUT, GR 2, ZP	2
8	2525-151	¼ MEDIUM LOCK WASHER ZP	2
9	2525-352	½ MEDIUM LOCK WASHER ZP	5
10	2526-454	5/8 SAE FLAT WASHER HARDENED ZP	2
11	2565-179	YETTER DECAL	2
12	2570-724	3/8 HOSE P-CLIP WITH VINYL CUSHION	2
13	2968-220	FERTILIZER CLOSE WHEEL MOUNT W.A.	1
14	2968-361	ARM CLAMP	1
15	2968-363	FORMED HOSE HOLDER	1
16	2968-470-RH	RH SHORT FERTILIZER WHEEL MOUNT	1
17	2968-471-LH	LH TALL FERTILIZER WHEEL MOUNT	1

2968-044A-LB PARTS IDENTIFICATION

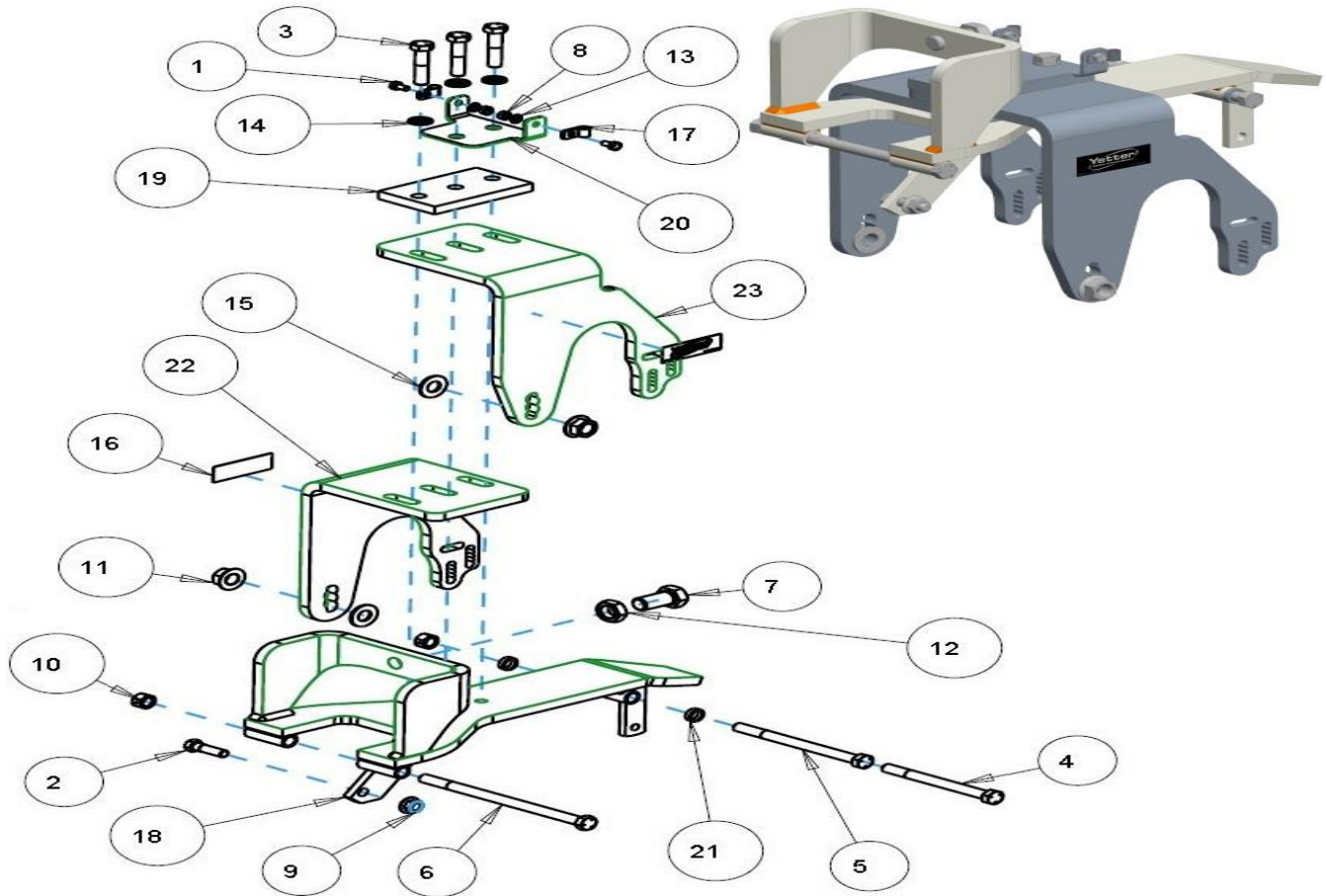
HARVEST INTERNATIONAL



ITEM	PART #	DESCRIPTION	QTY
1	2502-104	¼ - 20 X ½ HHCS GR 5 ZYD	2
2	2502-293	½ - 13 X 1 ¼ HHCS GR 5 ZP	2
3	2502-314	½ - 13 2 ¼ HHCS GR 5 ZP	3
4	2502-351	½ - 13 X 2 HHCS GR 5 ZP	2
5	2520-151	¼ - 20 HEX NUT ZP	2
6	2520-361	½ - 13 FLANGE WHIZ LOCK HEX NUT, GR 5, ZP	2
7	2520-464	5/8 - 11 WHIZ LOCK HEX NUT, GR 2, ZP	2
8	2525-151	¼ MEDIUM LOCK WASHER ZP	2
9	2525-352	½ MEDIUM LOCK WASHER ZP	5
10	2526-454	5/8 SAE FLAT WASHER HARDENED ZP	2
11	2565-179	YETTER DECAL	2
12	2570-724	3/8 HOSE P-CLIP WITH VINYL CUSHION	2
13	2968-225	FERTILIZER CLOSE WHEEL MOUNT W.A., HARVEST INTL	1
14	2968-361	ARM CLAMP	1
15	2968-363	FORMED HOSE HOLDER	1
16	2968-470-RH	RH SHORT FERTILIZER WHEEL MOUNT	1
17	2968-471-LH	LH TALL FERTILIZER WHEEL MOUNT	1

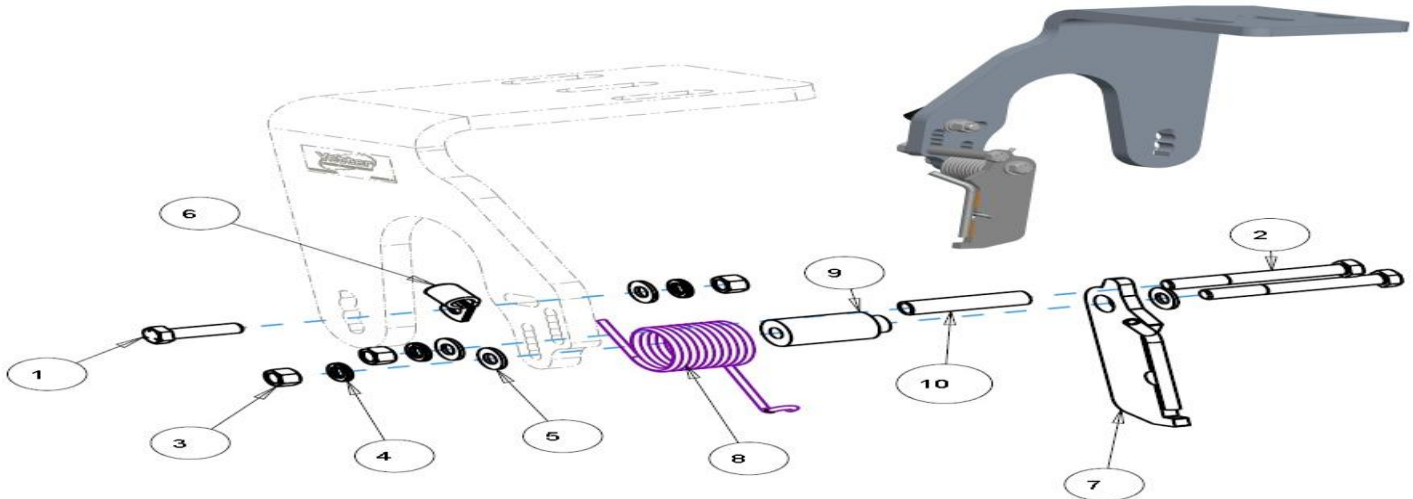
2968-045A-LB PARTS IDENTIFICATION

KINZE 4900



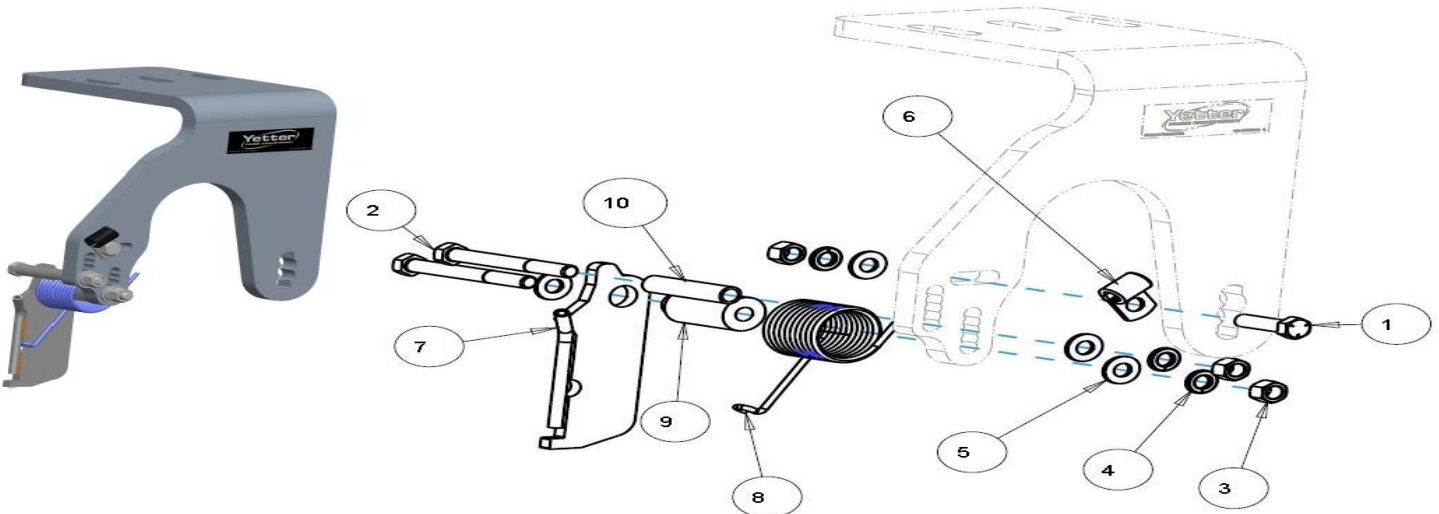
ITEM	PART #	DESCRIPTION	QTY
1	2502-104	¼ - 20 X ½ HHCS GR 5 ZYD	2
2	2502-266	7/16 - 14 X 1 ½ HHCS GR 5 ZP	1
3	2502-314	½ - 13 X 2 ¼ HHCS GR 5 ZP	3
4	2502-368	½ - 13 X 5 ½ HHCS GR 5 ZP	1
5	2502-372	½ - 13 X 6 ½ HHCS GR 5 ZP	1
6	2502-375	½ - 13 X 8 ½ HHCS GR 5 ZP	1
7	2502-501	¾ - 10 X 1 ½ HHCS GR 5 ZP	1
8	2520-151	¼ - 20 HEX NUT ZP	2
9	2520-307	7/16 - 14 FLANGE LOCK NUT	1
10	2520-357	½ - 13 LOCK HEX NUT, GR A, ZP	2
11	2520-464	5/8 - 11 WHIZ LOCK HEX NUT, GR 2, ZP	2
12	2520-502	¾ - 10 HEX JAM NUT, GR 2, ZP	1
13	2525-151	¼ MEDIUM LOCK WASHER ZP	2
14	2525-352	½ MEDIUM LOCK WASHER ZP	3
15	2526-454	5/8 SAE FLAT WASHER HARDENED ZP	2
16	2565-179	YETTER DECAL	2
17	2570-724	3/8 HOSE P-CLIP WITH VINYL CUSHION	2
18	2968-228	FERTILIZER CLOSE WHEEL MOUNT W.A.	1
19	2968-361	ARM CLAMP	1
20	2968-363	FORMED HOSE HOLDER	1
21	2968-373	SPACER	2
22	2968-470-RH	RH SHORT FERTILIZER WHEEL MOUNT	1
23	2968-471-LH	LH TALL FERTILIZER WHEEL MOUNT	1

2968-090A-L PARTS IDENTIFICATION



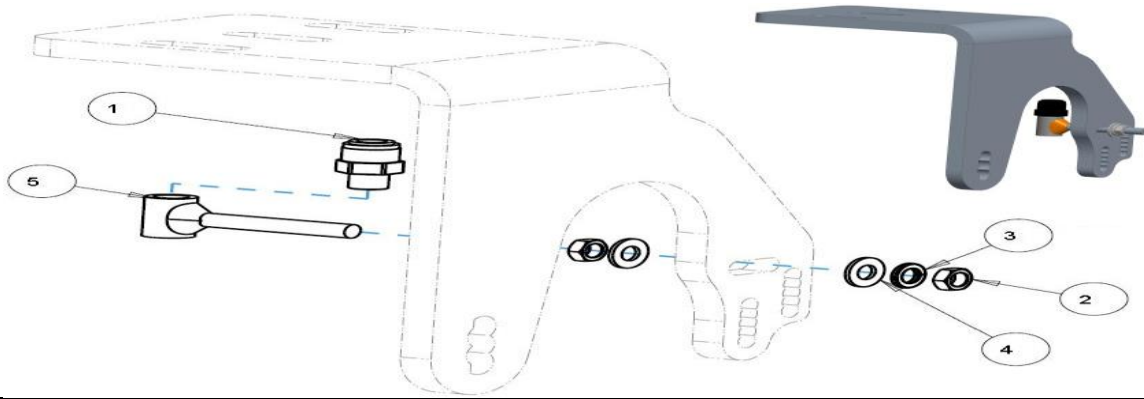
ITEM	PART #	DESCRIPTION	QTY
1	2502-244	3/8 – 16 X 1 ¼ HHCS GR 5 ZP	1
2	2502-251	3/8 – 16 X 3 HHCS GR 8 ZP	2
3	2520-251	3/8 – 16 HEX NUT ZP	3
4	2525-251	3/8 MEDIUM LOCK WASHER ZP	3
5	2526-253	3/8 SAE FLAT WASHER ZP	4
6	2570-727	3/8 HOSE P-CLIP W/ VINYL CUSHION	1
7	2968-229-L	LH KNIFE TUBE	1
8	2968-396-L	LH TORSION SPRING	1
9	2968-401	STEPPED BUSHING	1
10	2968-402	STOP BUSHING	1

2968-090A-R PARTS IDENTIFICATION



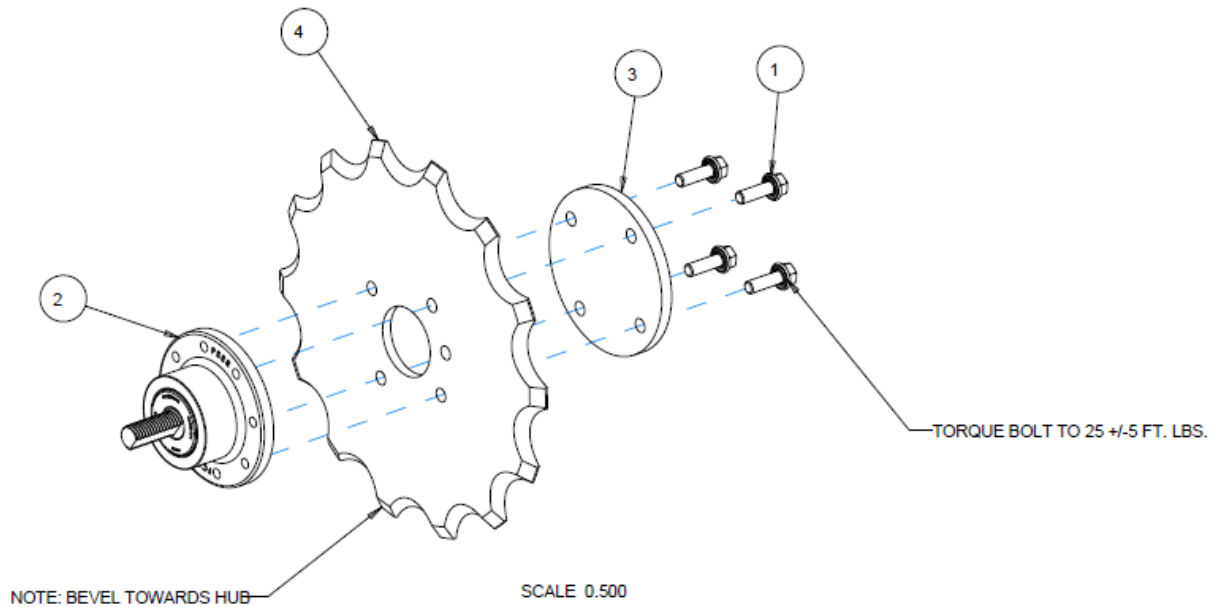
ITEM	PART #	DESCRIPTION	QTY
1	2502-244	3/8 – 16 X 1 ¼ HHCS GR 5 ZP	1
2	2502-251	3/8 – 16 X 3 HHCS GR 8 ZP	2
3	2520-251	3/8 – 16 HEX NUT ZP	3
4	2525-251	3/8 MEDIUM LOCK WASHER ZP	3
5	2526-253	3/8 SAE FLAT WASHER ZP	4
6	2570-727	3/8 HOSE P-CLIP W/ VINYL CUSHION	1
7	2968-229-R	RH KNIFE TUBE	1
8	2968-396-R	RH TORSION SPRING	1
9	2968-401	STEPPED BUSHING	1
10	2968-402	STOP BUSHING	1

2968-091 PART IDENTIFICATION



ITEM	PART #	DESCRIPTION	QTY
1	2515-846	MALE CONNECTOR – 3/8 X 1/4 NPTF	1
2	2520-253	3/8 – 16 JAM HEX NUT ZP	2
3	2525-251	3/8 MEDIUM LOCK WASHER ZP	1
4	2526-253	3/8 SAE FLAT WASHER ZP	2
5	2968-218	INJECTOR HOLDER	1

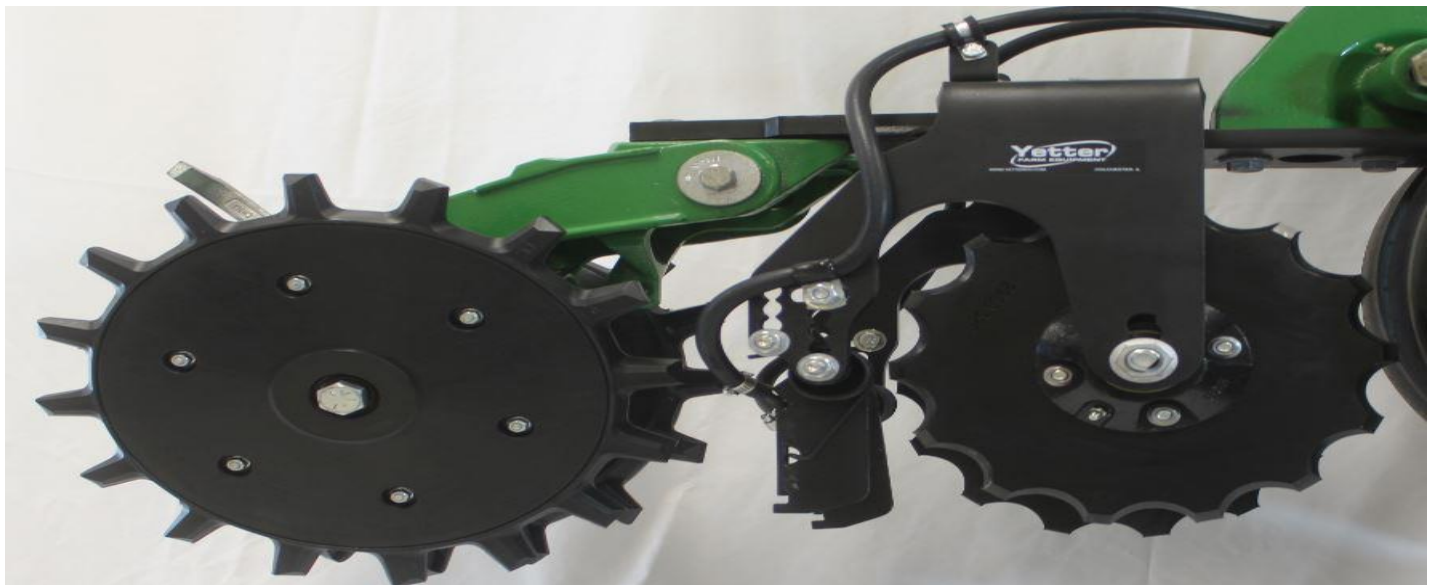
2968-132 (SHOWN) 10" WHEEL ASSEMBLY & 2968-133 11" WHEEL ASSEMBLY PARTS IDENTIFICATION



ITEM	PART NO.	DESCRIPTION	QTY
1	2502-221	5/16-18 X 1 HHFS GR5 ZP	4
2	2965-500	HUB ASSEMBLY, 1.406 SPINDLE	1
3	2965-503	HUB CAP	1
4	2968-320	10.05 X .256 FERTILIZER WHEEL	1

TROUBLESHOOTING

ISSUE	CAUSE	SOLUTION
2968 UNITS PLUGGING WITH RESIDUE	<ul style="list-style-type: none"> - PLANTER UNITS AREN'T EQUIPPED WITH ROW CLEANERS - ROW CLEANERS AREN'T SET AGGRESSIVE ENOUGH - KNIFE (IF EQUIPPED) DRAGGING RESIDUE - TOO MUCH RESIDUE IN THE SOIL PROFILE - RESIDUE BEING THROWN INTO CLOSING WHEELS 	<ul style="list-style-type: none"> - ADD ROW CLEANERS TO PLANTER UNITS - ADJUST ROWS TO CLEAR MORE TRASH FROM THE ROW - ADJUST KNIFE POSITION HIGHER - REPLACE DULL BLADE TO HELP CUT RESIDUE BETTER - ADJUST FERTILIZER WHEELS WIDER
2968 BLADES NOT PENETRATING	<ul style="list-style-type: none"> - NOT ENOUGH ROW UNIT DOWN FORCE - DULL FERTILIZER BLADES - TOOLBAR NOT HEAVY ENOUGH - PLANTER TOOLBAR NOT LEVEL FRONT TO BACK 	<ul style="list-style-type: none"> - APPLY MORE ROW UNIT DOWN FORCE - REPLACE FERTILIZER BLADES - ADD WEIGHT TO TOOLBAR - LEVEL PLANTER TOOLBAR
FERTILIZER SPLATTER	<ul style="list-style-type: none"> - TOO MUCH PRESSURE AT TIP - INJECTOR TIP ALIGNED WITH DISC SLOT 	<ul style="list-style-type: none"> - CHECK FERTILIZER PRESSURE, 20-30PSI AT TIP - ADJUST INJECTOR TO ALIGN STREAM OF FERTILIZER IN SLOT





A Tradition of Solutions since 1930

Yetter Farm Equipment Co

PO BOX 358 109 S. McDonough

Colchester, IL 62326-0358

Phone: 309-776-4111

Toll Free: 800-447-5777

Email: info@yetterco.com

For updated models and manuals visit the Yetter website:

www.yetterco.com

© Yetter Farm Equipment Co. All Rights Reserved

2565-951_REV_D – 07/2021