



2967-180B
RESIDUE MANAGER
FOR
2959 OFFSET INJECTION COULTER
OPERATOR'S / INSTRUCTION MANUAL
W/ PARTS IDENTIFICATION

2565-483_REV_M 06/2026



YETTER MANUFACTURING CO.
FOUNDED 1930

Colchester, IL 62326-0358
Toll free: 800/447-5777
309/776-3222 (Fax)

Website: www.yetterco.com
E-mail: info@yetterco.com

YETTER

FOREWORD

You've just joined an exclusive but rapidly growing club.
For our part, we want to welcome you to the group and thank you for buying a Yetter product.

We hope your new Yetter products will help you achieve both goals-increase your productivity and increase your efficiency so that you may generate more profit.

This operator's manual has been designed into four major sections: Foreword, Safety Precautions, Installation Instructions and Parts Breakdown.

This **SAFETY ALERT SYMBOL** indicates important safety messages in the manual. When you see this symbol, be alert to the possibility of **PERSONAL INJURY** and carefully read the message that follows.



DANGER: Indicates an imminently hazardous situation which, if not avoided "will" result in death or serious injury. This signal word is to be limited to the most extreme situations



WARNING: Indicates a potentially hazardous situation which, if not avoided, "could" result in death or serious injury.



CAUTION: Indicates a potentially hazardous situation, which if not avoided, "may" result in minor or moderate injury. It may also be used to alert against unsafe practices.

NOTICE: Indicates information considered important, but not hazard related (e.g., messages relating to property damage).

It is the responsibility of the user to read the operator's manual and comply with the safe and correct operating procedure and to lubricate and maintain the product according to the maintenance schedule in the operator's manual.

The user is responsible for inspecting his machine and for having parts repaired or replaced when continued use of the product would cause damage or excessive wear to the other parts.

It is the user's responsibility to deliver his machine to the Yetter dealer who sold him the product for service or replacement of defective parts, which are covered by the warranty policy.

If you are unable to understand or follow the instructions provided in this publication, consult your local Yetter dealer or contact:

YETTER MANUFACTURING CO.

309/776-4111

800/447-5777

309/776-3222 (FAX)

Website: www.yetterco.com

E-mail: info@yetterco.com

WARRANTY POLICY

Yetter Manufacturing warrants all products manufactured and sold by it against defects in material. This warranty being expressly limited to replacement at the factory of such parts or products as will appear to be defective after inspection. This warranty does not obligate the Company to bear cost of labor in replacement of parts. It is the policy of the company to make improvements without incurring obligations to add them to any unit already sold. No warranty is made or authorized to be made, other than herein set forth. This warranty is in effect for one year after purchase.

Yetter Manufacturing warrants its own products only and cannot be responsible for damage to equipment on which mounted.



SAFETY PRECAUTIONS



A brief description of signal words that may be used in this manual:

DANGER: Indicates an imminently hazardous situation which, if not avoided “will” result in death or serious injury. This signal word is to be limited to the most extreme situations.

WARNING: Indicates a potentially hazardous situation which, if not avoided, “could” result in death or serious injury.

CAUTION: Indicates a potentially hazardous situation, which if not avoided, “may” result in minor or moderate injury. It may also be used to alert against unsafe practices.

NOTICE: Indicates information considered important, but not hazard related (e.g., messages relating to property damage).

Consult your implement and tractor operator’s manual for correct and safe operating practices. Be aware of towed implement width and allow safe clearance.

Safety decals are placed on the implement to alert the operator and others to the risk of personal injury or unsafe operation during normal operations and servicing.

1. The safety decals must be kept clean and in good condition to ensure that they are legible.
2. Safety decals must be replaced if they are missing or illegible.
3. When components are replaced during repair or servicing, check that the new components include the necessary safety signs.
4. Replacement safety decals may be obtained from your local dealer.



WARNING

Read these instructions carefully to acquaint yourself with the Equipment. Working with unfamiliar equipment can lead to accidents.

Never park the equipment on a steep incline or leave the equipment running unattended.

Never clean, lubricate or adjust a machine that is in motion.

Always check that straps are secure.

Make sure latches are in pinned position when moving equipment.

Do not allow children to operate this equipment.

Do not allow riders on the equipment, trailer and/or pick-up.

Use speed and caution dictated by the terrain being traversed. Do not operate on any slope steep enough to cause tipping or loss of control.

Read and understand the operator’s manual and require all other persons who will operate the equipment to do the same.

If operating on public roadways, where legal, be certain all lighting is operating properly and observe all traffic laws.

Beware of increased stopping distances and control effort when operating with implements attached.

Be familiar with all controls and be prepared to stop equipment quickly in an emergency.

FAILURE TO HEED MAY RESULT IN PERSONAL INJURY OR DEATH.

TABLE OF CONTENTS

FOREWORD.....	2
SAFETY.....	2-3
TABLE OF CONTENTS.....	4
ASSEMBLY INSTRUCTIONS.....	5-8
OPERATION.....	9
MAINTENANCE.....	10
TROUBLESHOOTING.....	11
PARTS IDENTIFICATION.....	12-16

ASSEMBLY INSTRUCTIONS

GENERAL INFORMATION

Examine all equipment carefully for damage or shortages.

Lubricate all bearings and moving parts as assembled.

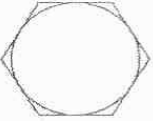
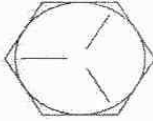

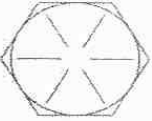
Reference to front, rear, left and right in this installation instruction are made when sitting in the operator's seat facing direction of forward travel.

BOLT TORQUE

READ THESE INSTRUCTIONS FIRST:

1. Improperly tightened bolts will result in damage, breakage, expense, and down time.
2. Always replace bolts with the specified grade and type.
3. Torque properly before first use of the machine and every 2-4 hours of use until you are sure bolts are staying tight.
4. The chart below is a guide for proper torque. Use it unless a specified torque is called out elsewhere in the manual.
5. Torque is the force you apply to the wrench handle or the cheater bar, times the length of the handle or bar.
6. Use a torque wrench whenever possible.

The following table shows torque in ft. lbs.

BOLT DIA. AND THREADS PER INCH	 GRADE 2	 OR  GRADE 5 A-325	 GRADE 8
1/4	6	10	14
5/16	12	20	30
3/8 - 16	25	35	50
7/16 - 14	35	55	80
1/2 - 13	55	85	125
9/16 - 12	75	125	175
5/8 - 11	105	170	235
3/4 - 10	185	305	425
7/8 - 9	170	445	690
1-8	260	670	1030
1 1/8 - 7	365	900	1460
1 1/4 - 7	515	1275	2060
1 3/8 - 6	675	1675	2700
1 1/2 - 6	900	2150	3500
1 3/4 - 5	1410	3500	5600

ASSEMBLY INSTRUCTIONS



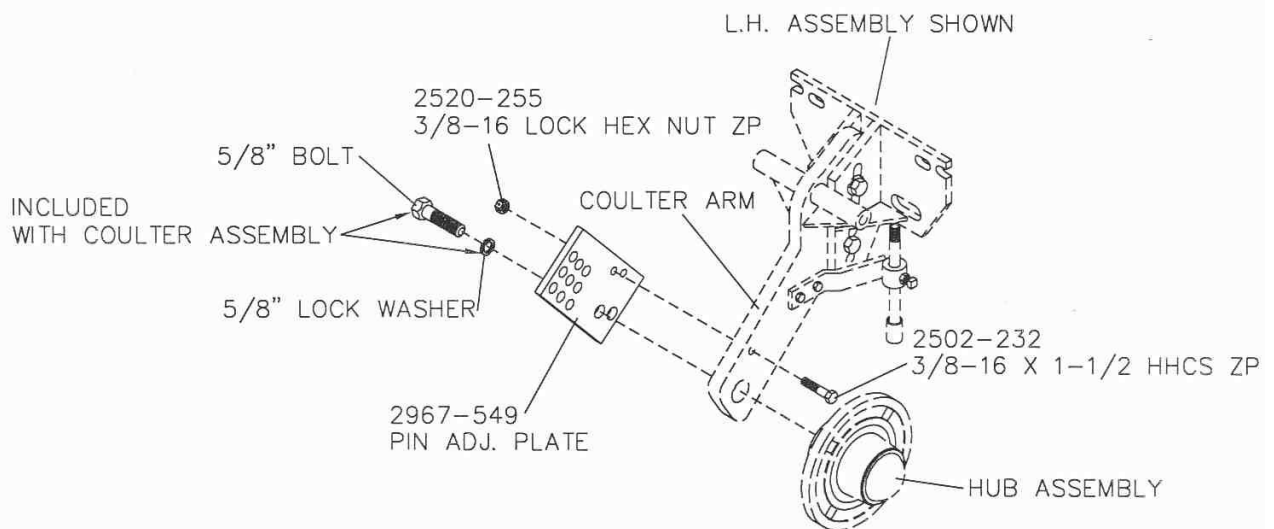
WARNING: NEVER WORK UNDER THE EQUIPMENT WHILE IN A RAISED POSITION WITHOUT USING SAFETY LOCK UPS. FAILURE TO DO SO MAY LEAD TO PERSONAL INJURY OR DEATH.

STEP 1. Remove the coultter blade from the 2959 hub-assembly before attaching the residue manager bracket. Remove the 5/8" bolt from the coultter arm assembly that secures the hub and spindle assembly to the arm. Remove the hub and spindle assembly from the coultter arm. Insert the 3/8" x 1 1/2" bolt through the arm.



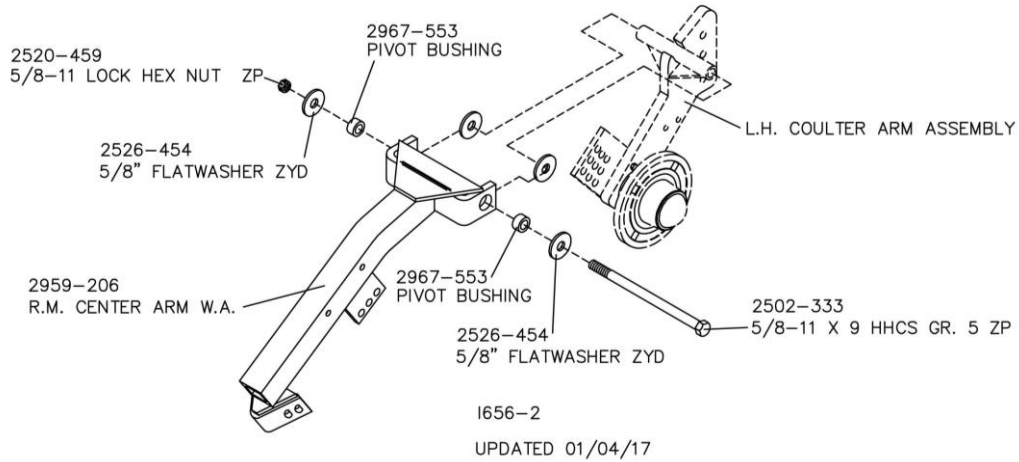
NOTICE: The head of the bolt should be installed on the same side as the hub and blade will be installed.

Replace the hub/spindle onto the arm and secure with the 5/8" bolt, lock washer and 2967-549 pin adjustment plate. Also, install the 3/8" lock hex nut onto the 3/8" x 1 1/2" bolt. **DO NOT** fully tighten at this time, fine tuning of alignment of adjustment holes will be done later.

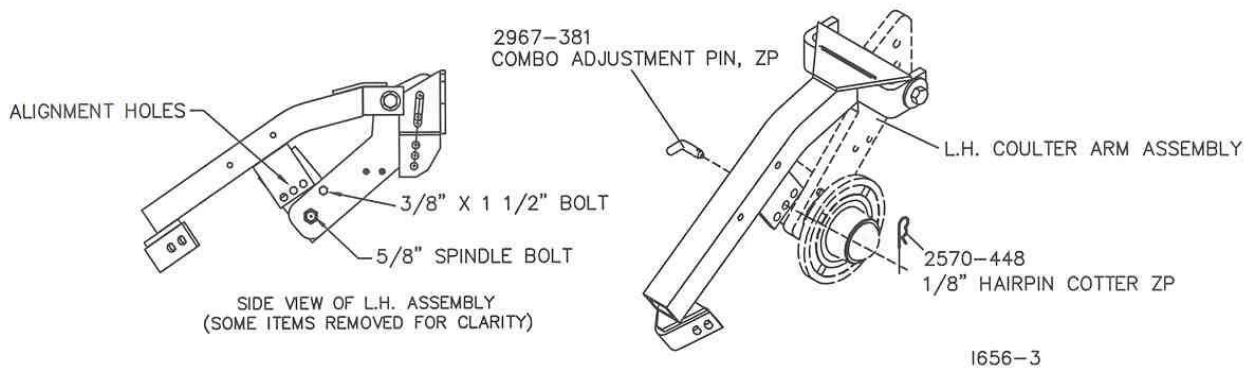


ASSEMBLY INSTRUCTIONS

STEP 2. Attach the 2959-206 R.M. arm to the coultter arm using the 5/8" x 9" bolt, 4) 5/8" flat washers, 2) pivot bushings (2967-553) and 5/8" lock hex nut.

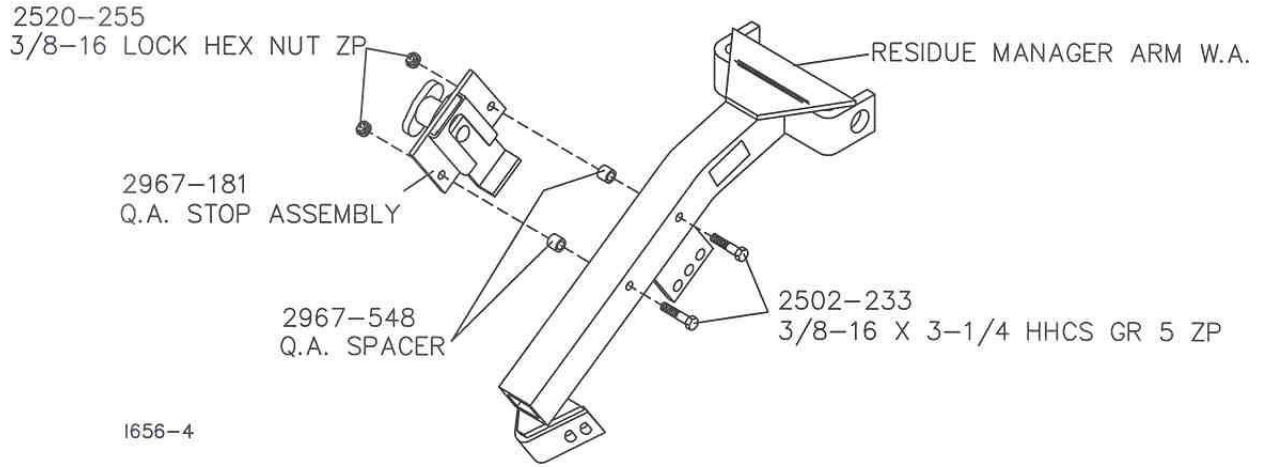


STEP 3. Insert the adjustment pin into the arm and the Adjustment Plate. Check the alignment of all the adjustment holes, move adjustment plate as needed then securely tighten the 5/8" spindle bolt and the 3/8" x 1 1/2" bolt. Install the adjustment pin and secure with 1/8" hairpin clip.



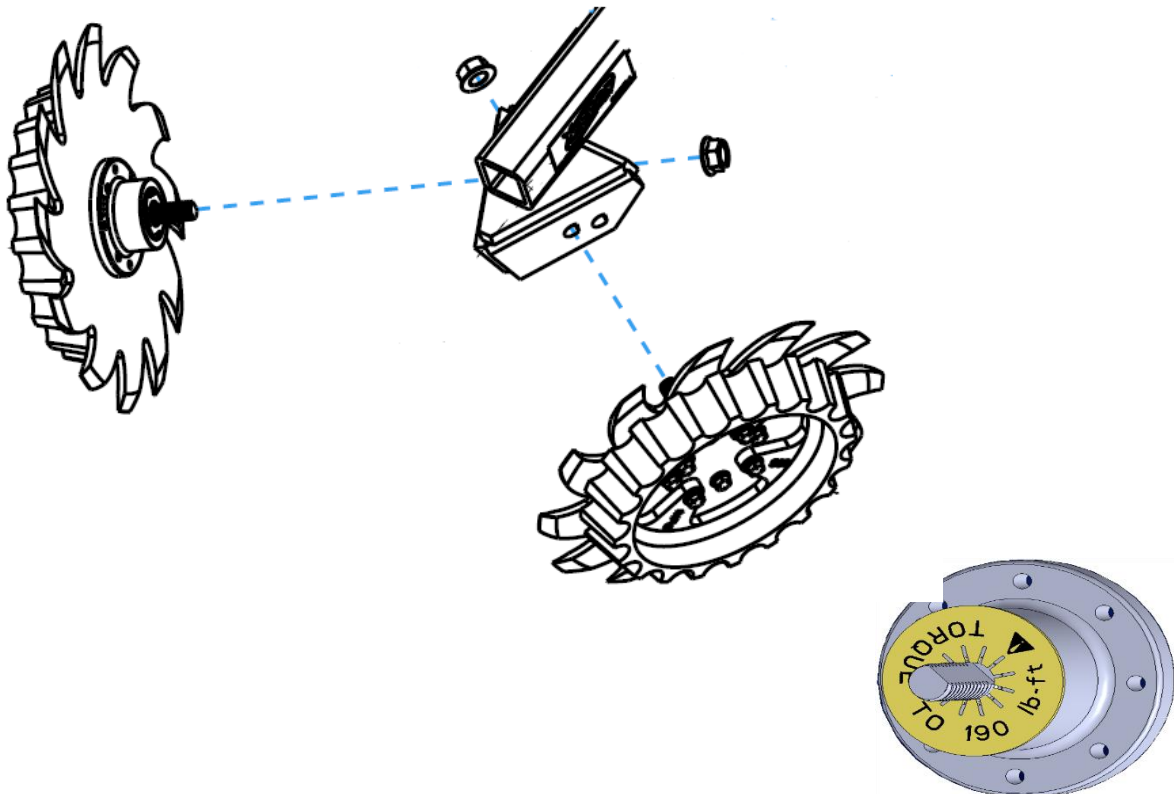
ASSEMBLY INSTRUCTIONS

STEP 4. Attach the 2967-181 Quick Adjust Assembly to the residue manager arm using 2) 3/8" x 3 1/4" bolts, 2) spacer bushings and 3/8" lock hex nuts.



L.H. ASSEMBLY SHOWN

STEP 5. Fasten the R.M. wheel assemblies to the 2959-206 R.M. arm using 5/8" hex nuts. **Torque 190 ft.lbs.**



OPERATION



CAUTION: Where rocks are present the residue manager should be set in the “float” position, not locked down.

STEP 1. Adjust the residue manager to move crop residue aside and not move any soil. Adjustments to the residue manager may have to be made when changing field conditions and type and amount of residue. By removing the adjustment pin the residue manager wheel can be allowed to “float” and the quick adjust will act as a down stop. If residue managers are set to “float”, check for clearance with drive shafts and frames.

ROW CLEANER DO's AND Don'ts

1. **DO NOT** move soil; Residue Managers are designed to move crop residue only.
2. **DO NOT** operate planter at slow speeds, ground speed affects how aggressive the spoke wheels are; operate at sufficient speed (4-6 mph) to maintain good residue flow.
3. **DO NOT** expect 100% of crop residue to be cleared, it is not necessary and would necessitate engaging the soil. The width of path cleared depends on ground conditions, depth setting and ground speed.
4. **DO** expect to see wheels occasionally quit turning, indicates ideal (shallow) setting which is not moving soil.
5. **DO** adjust toolbar frame height 20”-22” and drawbar correctly. Very important to ensure planter opener will follow ground contours properly.



NOTICE: For proper operation, the planter frame must operate level (for, aft and side to side) and at the correct height, typically 20”-22”.

MAINTENANCE

Storing the Equipment

Store the machine in an area away from human activity

Store machine in RAISED position.

Install service locks on all wheel cylinders.

At the end of the season, the machine should be thoroughly inspected and prepared for storage. Repair or replace any worn or damaged components to prevent down time at the start of the next season. Store machine under cover with all parts in operating condition.

- Clean machine thoroughly to remove all dirt, debris and crop residue, which would hold moisture and cause rusting.
- Inspect machine for worn or broken parts. See your Yetter Farm Equipment dealer during the off-season so that parts or service can be acquired when machine is not needed in the field.
- Lubricate bearings as outlined in the Lubrication section
- Paint all parts which are chipped or worn and require repainting.
- Store machine in a clean, dry place with the planting unit out of the sun.
- If the machine cannot be stored inside, cover with a waterproof tarpaulin and tie securely in place.
- Do not allow children to play on or around the machine

TROUBLESHOOTING

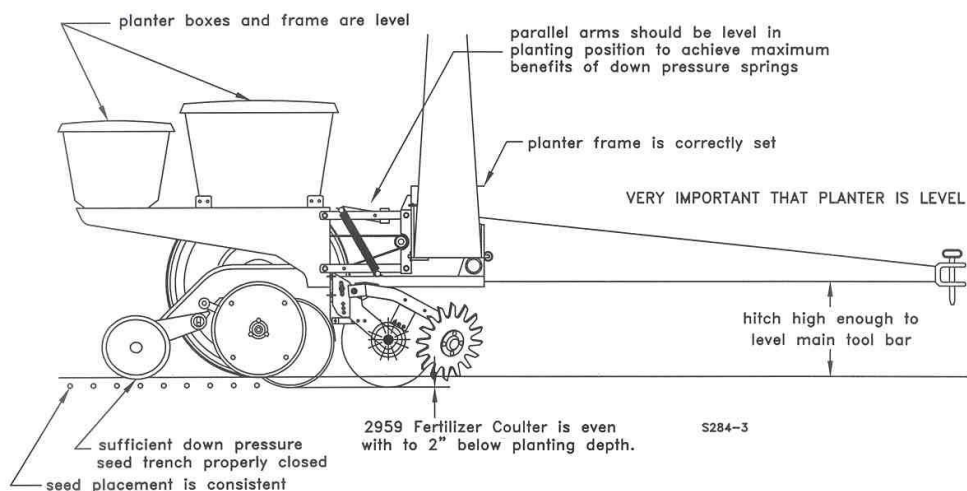


Figure A. (Correct)

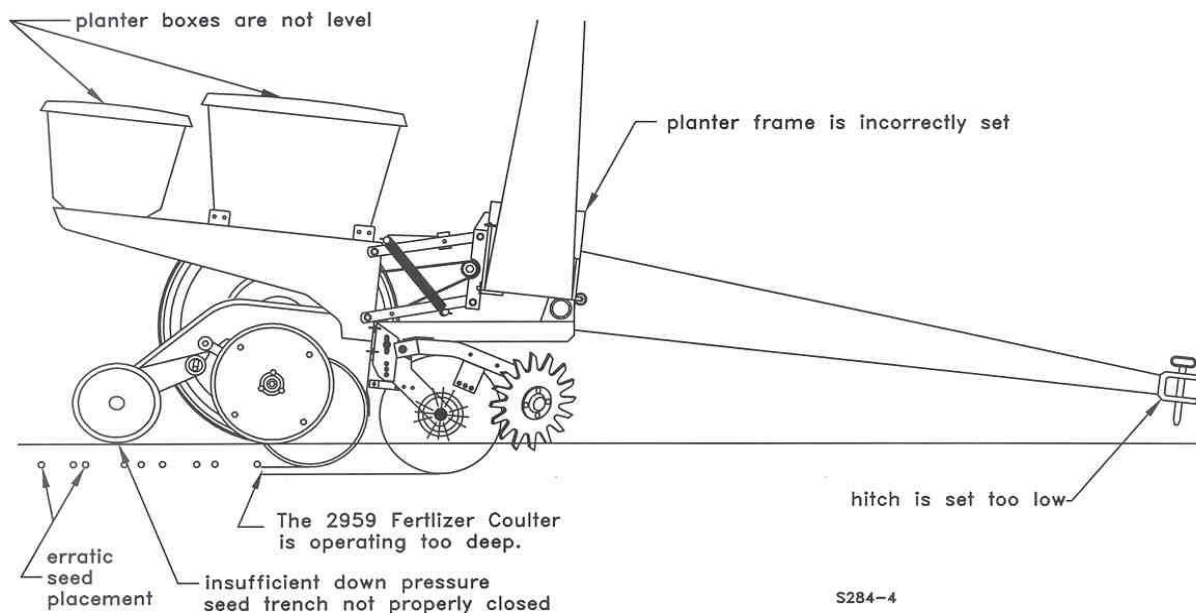


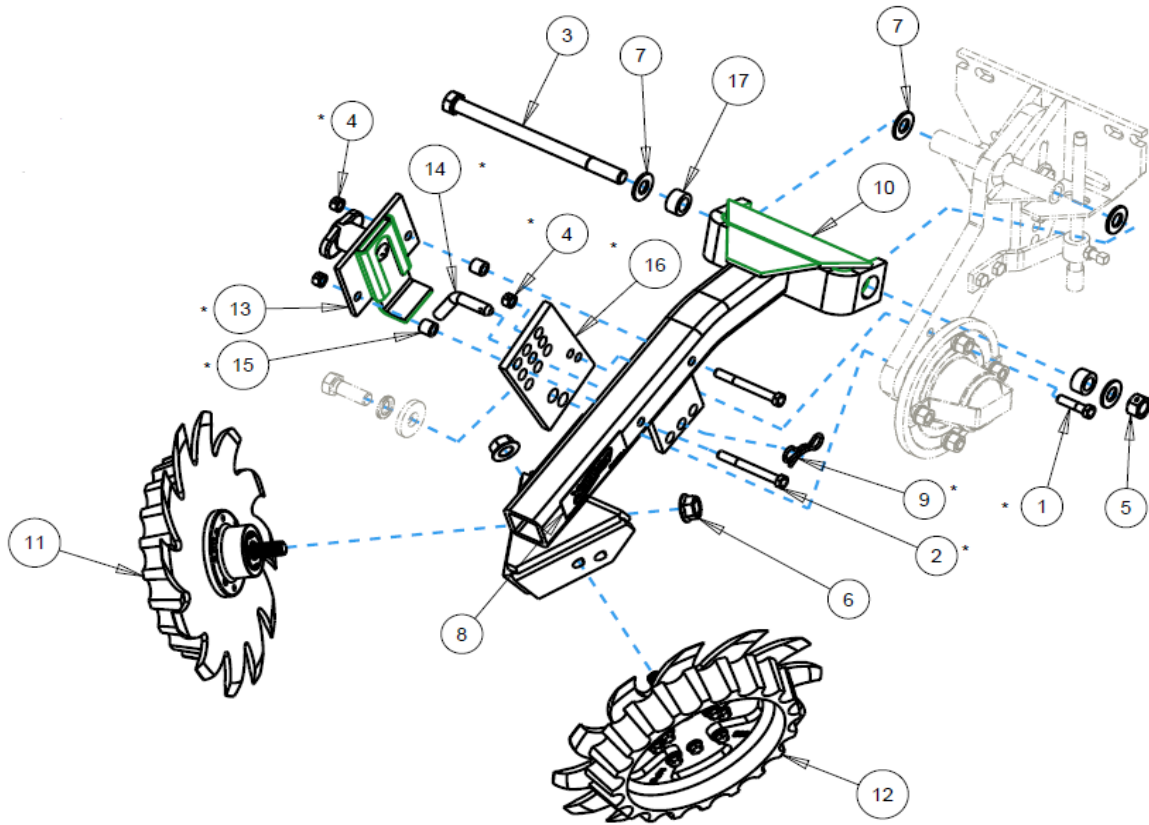
Figure B. (Incorrect)

Figure A. – The planter frame is 20" off the ground. To ensure this, visually check to see that the planter boxes are level and that the planter unit parallel arms are also parallel with the ground. **When using planter attachments located in front of the planter unit, this setting is very important.**

Figure B. – The planter hitch is set too low while the planter remains at 20" off the ground. Notice from the illustration that the unit mounted coulters is running deeper in the ground.

Both illustrations are strictly for reference only. They are intended to show that proper adjustment of the hitch height is crucial. Consult your planter operator's manual for the proper height adjustment of the hitch.

PARTS IDENTIFICATION



* PARTS TO BE REVERSED FOR
RH COULTER, LH CONFIGURATION SHOWN

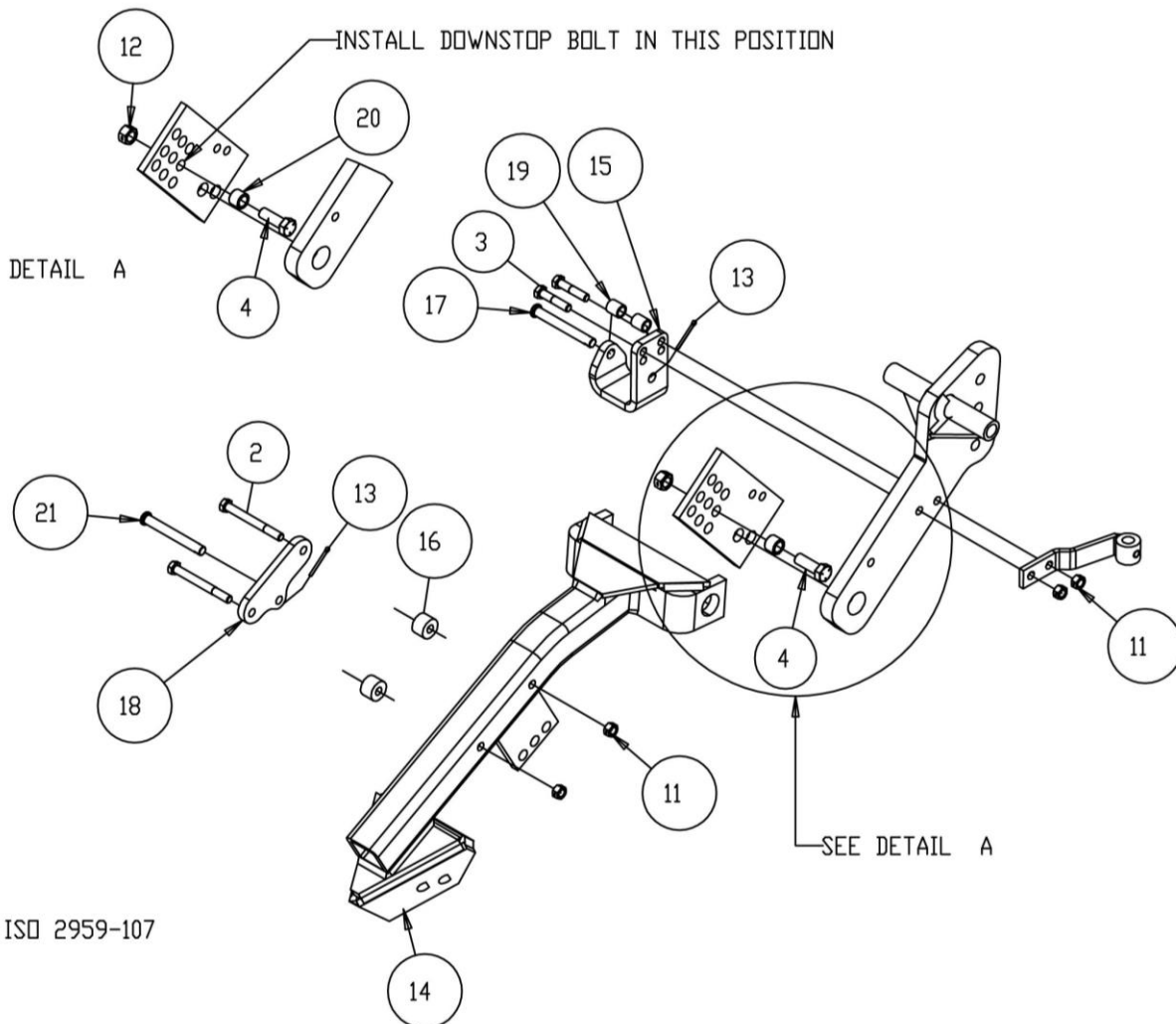
ISO2967-180B-ST-FW-2

ITEM	PART NO.	DESCRIPTION	QTY
1	2502-232	3/8-16 X 1-1/2 HHCS GRADE 5	1
2	2502-233	3/8-16 X 3-3/4 HHCS GRADE 5	2
3	2502-333	5/8-11 X 9 HHCS GRADE 5	1
4	2520-255	3/8-16 LOCK NUT GRADE A	3
5	2520-459	5/8-11 LOCK NUT GRADE B	1
6	2520-465	5/8-11 FLANGE NUT GRADE 8	2
7	2526-454	5/8 FLAT WASHER HARDENED	4
8	2565-162	YETTER DECAL	2
9	2570-448	BOW TIE COTTER PIN	1
10	2959-206	ARM	1
11	2966-140-ST-FW	RIGHT HAND SHARK TOOTH WHEEL ASSEMBLY	1
12	2966-141-ST-FW	LEFT HAND SHARK TOOTH WHEEL ASSEMBLY	1
13	2967-181	STOP ASSEMBLY	1
	2505-255	3/8-16 X 2-1/2 CARRIAGE BOLT	1
	2515-714	PLUG	1
	2520-255	3/8-16 LOCK NUT GRADE A	1
	2550-769	COIL SPRING	1
	2967-249	HANDLE	1
	2967-271	ADJUSTMENT BRACKET	1
	2967-454	3/8 ID X 15/16 OD X 1/4 MACHINE WASHER	1
	2967-550	DOWN STOP	1
14	2967-381	PIN	1
15	2967-548	SPACER	2
16	2967-549	ADJUSTMENT PLATE	1
17	2967-553	BUSHING	2

PARTS IDENTIFICATION

2959-107 AIR CYLINDER HARDWARE KIT

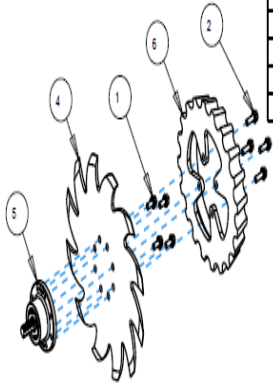
ITEM	PART NO.	DESCRIPTION	QTY
1	2502-232	3/8-16 X 1 1/2 HHCS GR 5 ZYD	1
2	2502-243	3/8- 16 X 3-1/2 HHCS GR 5	2
3	2502-245	3/8-16 X 1-3/4 HHCS GR 5 ZP	2
4	2502-294	1/2-13 X 1-1/2 HHCS GR5 YD	1
5	2502-295	1/2-13 X 2-3/4 HHCS GR5 ZP	2
6	2502-333	5/8-11 X 9 HHCS GR. 5 ZP	1
7	2502-340	5/8-18 X 1 3/4 HHCS GR5 ZP	1
8	2503-254	3/8-16 X 1 SQ. HCPSS, GR5ZP	1
9	2505-337	1/2-13 X 1 1/4 CARBLT G5ZP	4
10	2515-312	1/4 NPT X 1-1/16 COUPLER	1
11	2520-255	3/8-16 LOCK HEX NUT ZP	4
12	2520-357	1/2-13 LOCK HEX NUT, GR A, ZP	1
13	2531-107	1/8 X 1 COTTER PIN	2
14	2959-206	R.M. CENTER ARM W.A.	1
15	2959-311	COULTER MOUNT	1
16	2959-312	1' DD X .406"ID SPACER	2
17	2959-313	CLEVIS PIN, ZP .438" x 3.5"	1
18	2959-314	ARM PLATE	1
19	2959-315	BUSHING .688"L (#755017)	2
20	2967-622	9/16" SPACER ZP	1
21	2959-317	CLEVIS PIN 1.25"	1



PARTS IDENTIFICATION

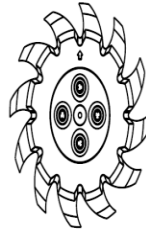
2966-140-ST-FW

ITEM	PART NO.	DESCRIPTION	QTY
1	2502-220	5/16-18 X 3/4 HHFS GR5 ZP	4
2	2502-221	5/16-18 X 1 HHFS GR5 ZP	4
3	2515-562	13" WHEEL COVER, BLACK	2
4	2571-286	SHARKTOOTH WHEEL, 8 BOLT	1
5	2965-500	HUB ASSEMBLY, 1.406 SPINDLE	1
6	2967-560	FLOATER WHEEL	1

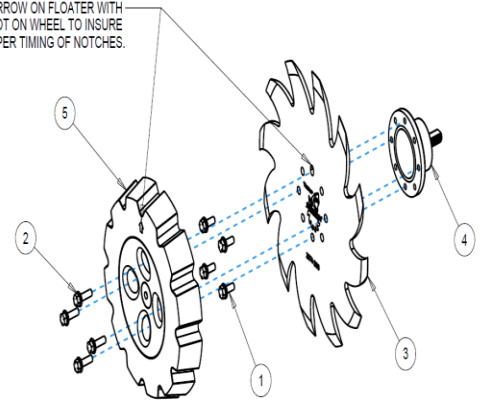


2966-140-ST-PFW

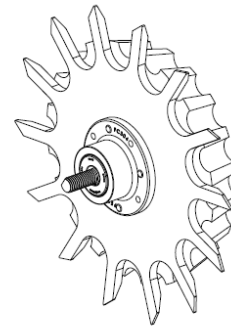
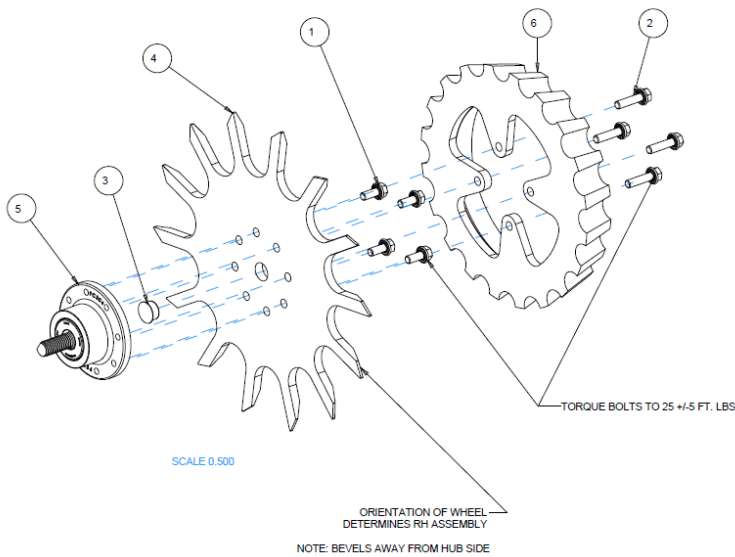
ITEM	PART NO.	DESCRIPTION	QTY
1	2502-220	5/16-18 X 3/4 HHFS GR5 ZP	4
2	2502-221	5/16-18 X 1 HHFS GR5 ZP	4
3	2571-286	SHARKTOOTH WHEEL, 8 BOLT	1
4	2965-500	HUB ASSEMBLY, 1.406 SPINDLE	1
5	2967-957	SHARKTOOTH TIMED FLOATER WHEEL	1



LINE UP ARROW ON FLOATER WITH
SLOT ON WHEEL TO INSURE
PROPER TIMING OF NOTCHES.



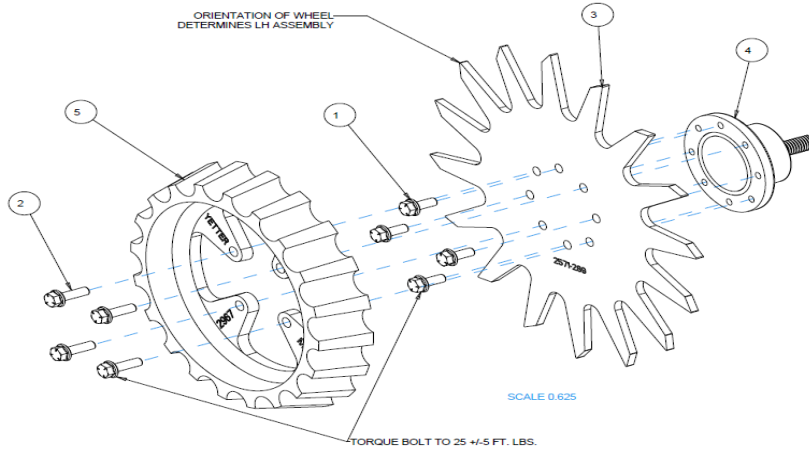
2966-140-BW-FW



ITEM	PART NO.	DESCRIPTION	QTY
1	2502-220	5/16-18 X 3/4 HHFS GR5 ZP	4
2	2502-222	5/16-18 X 1-1/4 HHFS GR5 ZP	4
3	2570-994	BEVEL WHEEL CENTER HOLE PLUG	1
4	2571-287-R	13" BEVEL WHEEL, 8 BOLT, RH	1
5	2965-500	HUB ASSEMBLY, 1.406 SPINDLE	1
6	2967-560	FLOATER WHEEL	1

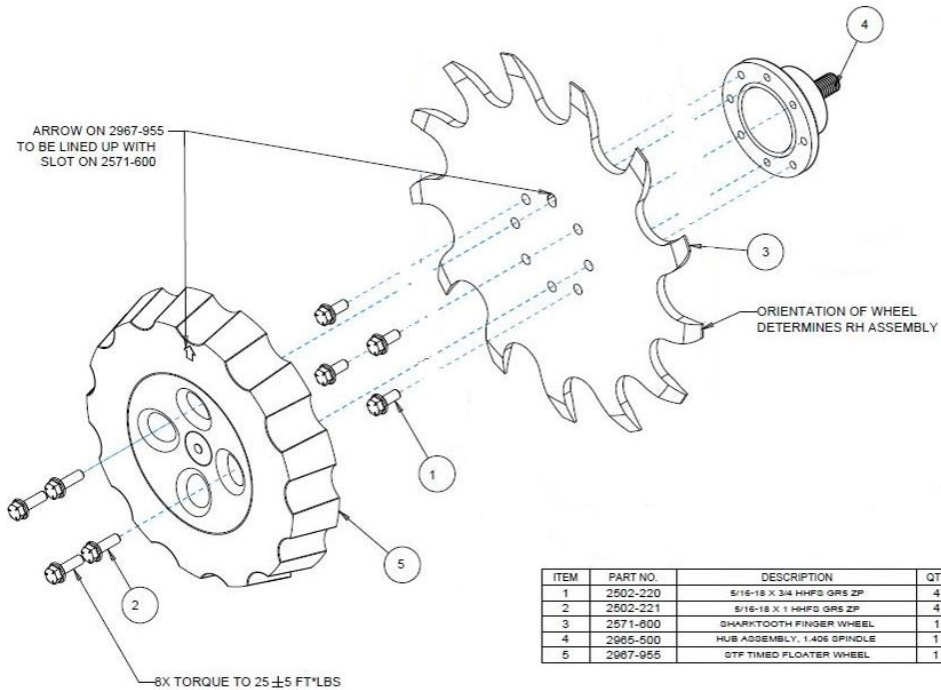
PARTS IDENTIFICATION

2966-141-FW



ITEM	PART NO.	DESCRIPTION	QTY
1	2502-220	5/16-18 X 3/4 HHFS GR5 ZP	4
2	2502-221	5/16-18 X 1 HHFS GR5 ZP	4
3	2571-289	13" TAPER TOOTH SPOKE WHEEL, 8 BOLT	1
4	2965-500	HUB ASSEMBLY, 1.406 SPINDLE	1
5	2967-560	FLOATER WHEEL	1

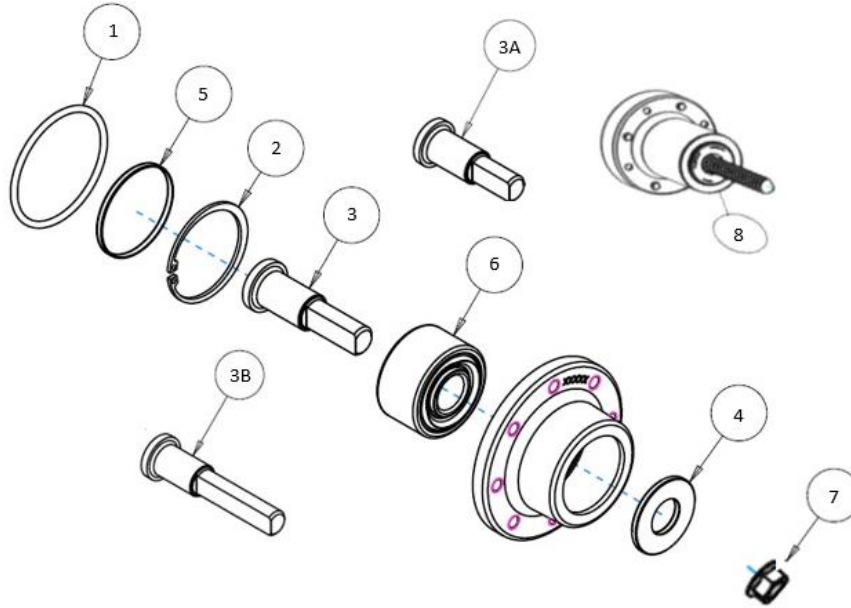
2966-140-STF-PFW RIGHT HAND SHARKTOOTH FINGER WHEEL ASSEMBLY



ITEM	PART NO.	DESCRIPTION	QTY
1	2502-220	5/16-18 X 3/4 HHFS GR5 ZP	4
2	2502-221	5/16-18 X 1 HHFS GR5 ZP	4
3	2571-600	SHARKTOOTH FINGER WHEEL	1
4	2965-500	HUB ASSEMBLY, 1.406 SPINDLE	1
5	2967-955	STF TIMED FLOATER WHEEL	1

PARTS IDENTIFICATION

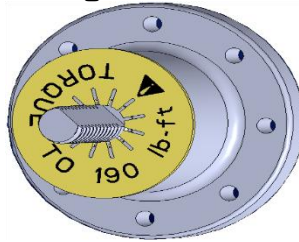
8 BOLT HUB ASSEMBLY



ITEM	PART #	DESCRIPTION	QTY
1	2550-074	O-RING 3.55MM X 56MM ID	1
2	2550-529	SNAP RING	1
3	2965-600A	SHAFT 73 MM (2965-500 HUB ASSEMBLY)	1
3A	2965-602A	SHAFT 66.7 MM (2965-502 HUB ASSEMBLY)	1
3B	2965-601A	SHAFT 98.4 MM (2965-501 HUB ASSEMBLY)	1
4	2965-604A	SPACER	1
5	2965-605A	CAP	1
6	2965-606	BEARING	1
7	2520-465	5/8-11 FLANGE HEX NUT GRADE 8	1
8	2965-500	HUB ASSEMBLY 1.406" SPINDLE	1
	2965-501	HUB ASSEMBLY 2.406" SPINDLE	1
	2965-502	HUB ASSEMBLY 1.157" SPINDLE	1

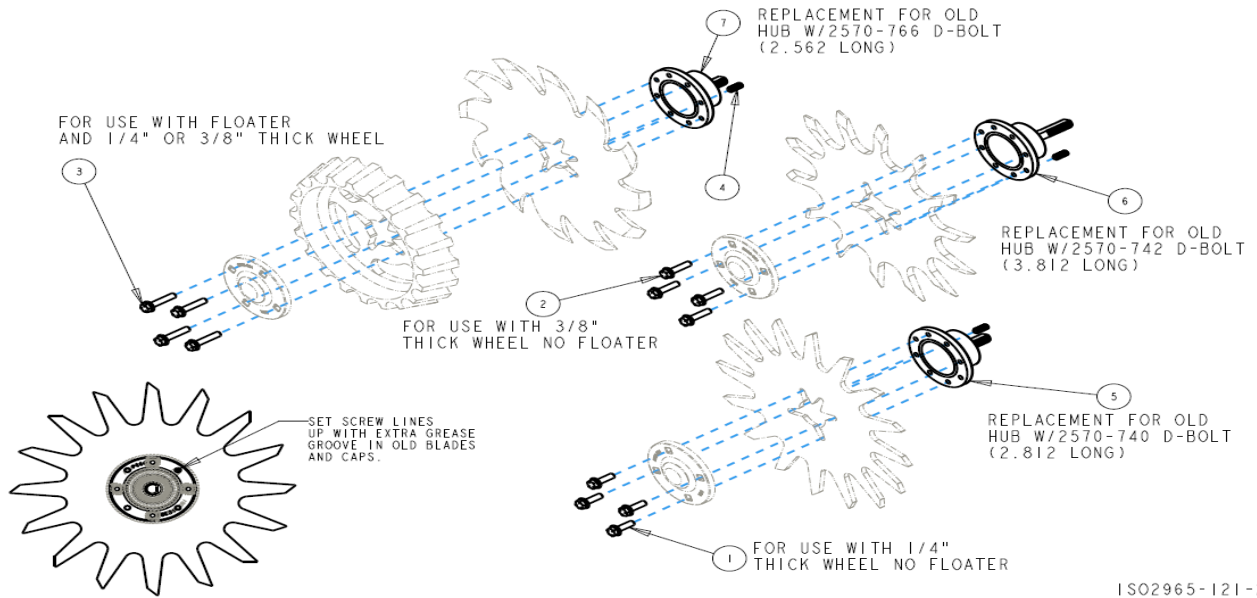


NOTICE: Torque the bearing assemblies at **190 ft.lbs**



FIELD SERVICE KITS

2965-119 - SERVICE KIT FOR 2570-740-2.812 D-BOLT
 2965-120 - SERVICE KIT FOR 2570-742-3.812 D-BOLT
 2965-121 - SERVICE KIT FOR 2570-766-2.562 D-BOLT



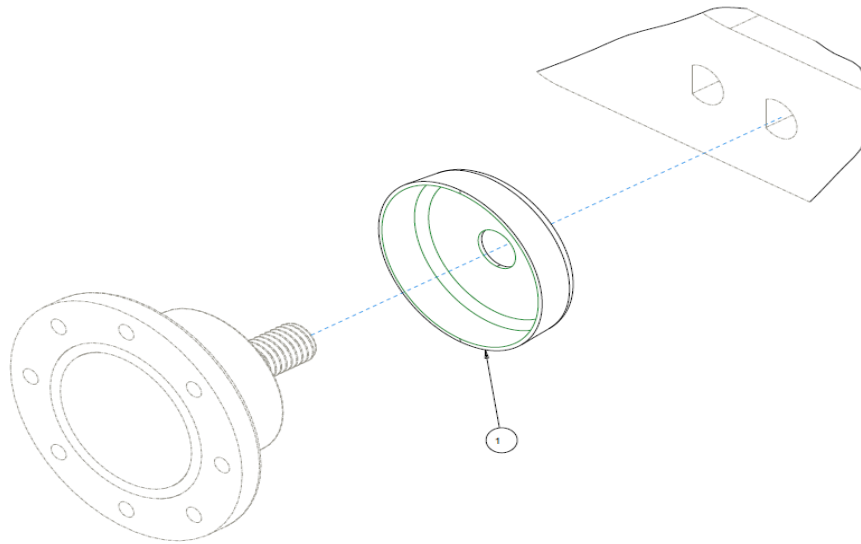
ISO2965-121-2

ITEM	PART NO	DESCRIPTION	QTY
1	2502-221	5/16-18 X 1 HHFS GRADE 5	4
2	2502-222	5/16-18 X 1-1/4 HHFS GRADE 5	4
3	2502-225	5/16-18 X 1-1/2 HHFS GRADE 5	4
4	2940-560	SET SCREW	1
5	2965-500	HUB ASSEMBLY 1.406 SPINDLE	1
6	2965-501	HUB ASSEMBLY 2.406 SPINDLE	1
7	2965-502	HUB ASSEMBLY 1.157 SPINDLE	1



ITEM	PART NO	DESCRIPTION	QTY
1	2505-207	5/16-18 X 1-1/4 CARRIAGE HEAD BOLT GRADE 5	4
2	2520-206	5/16-18 FLANGE LOCK NUT	4
3	2570-740	D-BOLT FLANGE HEAD 5/8-11 X 2.812 GRADE 8	1
4	2965-128	HUB/BEARING ASSEMBLY	1
	2550-069	SEAL	1
	2570-594	BEARING	1
	2570-715	INSERT	1
	2965-351	HUB	1
	2533-110	GREASE FITTING	1
5	2965-352	HUB CAP	1
6	2967-602	SHARK TOOTH WHEEL	1
7	2520-465	5/8-11 FLANGE LOCK NUT GRADE 8	1

OPTIONAL



ITEM	PART NO.	DESCRIPTION	QTY
1	2965-550	BEARING SHIELD	1

NOTES

NOTES



A Tradition of Solutions since 1930

Yetter Farm Equipment Co

PO BOX 358 109 S. McDonough

Colchester, IL 62326-0358

Phone: 309-776-4111

Toll Free: 800-447-5777

Email: info@yetterco.com

For updated models and manuals visit the Yetter website:

www.yetterco.com

© Yetter Farm Equipment Co. All Rights Reserved