

# Yetter

## FARM EQUIPMENT

### TITAN™ SERIES

2967-029C / 2967-029C-PP SHORT U.N.T.™

2967-097C SHORT U.N.T.™ CNH

RESIDUE MANAGER

Owner's Manual

Part Identification

2565-696\_Rev\_T - 06/2026



**YETTER MANUFACTURING CO.**

Founded 1930

Colchester, IL 62326

Toll Free: (800)447-5777

Fax: (309)776-3222

Website: [yetterco.com](http://yetterco.com)

E-mail: [info@yetterco.com](mailto:info@yetterco.com)

# YETTER

# FOREWORD


You've just joined an exclusive but rapidly growing club.


For our part, we want to welcome you to the group and thank you for buying a Yetter product.


We hope your new Yetter products will help you achieve both goals-increase your productivity and increase your efficiency so that you may generate more profit.


This operator's manual has been designed into four major sections: Foreword, Safety Precautions, Installation Instructions and Parts Breakdown.

This **SAFETY ALERT SYMBOL** indicates important safety messages in the manual. When you see this symbol, be alert to the possibility of **PERSONAL INJURY** and carefully read the message that follows.

 **DANGER:** Indicates an imminently hazardous situation which, if not avoided "will" result in death or serious injury. This signal word is to be limited to the most extreme situations

 **WARNING:** Indicates a potentially hazardous situation which, if not avoided, "could" result in death or serious injury.

 **CAUTION:** Indicates a potentially hazardous situation, which if not avoided, "may" result in minor or moderate injury. It may also be used to alert against unsafe practices.

 **NOTICE:** Indicates information considered important, but not hazard related (e.g., messages relating to property damage).

It is the responsibility of the user to read the operator's manual and comply with the safe and correct operating procedure and to lubricate and maintain the product according to the maintenance schedule in the operator's manual.

The user is responsible for inspecting his machine and for having parts repaired or replaced when continued use of the product would cause damage or excessive wear to the other parts.

It is the user's responsibility to deliver his machine to the Yetter dealer who sold him the product for service or replacement of defective parts, which are covered by the warranty policy.

If you are unable to understand or follow the instructions provided in this publication, consult your local Yetter dealer or contact:

## YETTER MANUFACTURING CO.

309/776-4111

800/447-5777

309/776-3222 (FAX)

Website: [www.yetterco.com](http://www.yetterco.com)

E-mail: [info@yetterco.com](mailto:info@yetterco.com)

## WARRANTY POLICY

Yetter Manufacturing warrants all products manufactured and sold by it against defects in material. This warranty being expressly limited to replacement at the factory of such parts or products as will appear to be defective after inspection. This warranty does not obligate the Company to bear cost of labor in replacement of parts. It is the policy of the company to make improvements without incurring obligations to add them to any unit already sold. No warranty is made or authorized to be made, other than herein set forth. This warranty is in effect for one year after purchase.

Dealer : \_\_\_\_\_

**Yetter Manufacturing warrants its own products only and cannot be responsible for damage to equipment on which mounted.**



## SAFETY PRECAUTIONS



A brief description of signal words that may be used in this manual:

**DANGER**: Indicates an imminently hazardous situation which, if not avoided “will” result in death or serious injury. This signal word is to be limited to the most extreme situations.

**WARNING**: Indicates a potentially hazardous situation which, if not avoided, “could” result in death or serious injury.

**CAUTION**: Indicates a potentially hazardous situation, which if not avoided, “may” result in minor or moderate injury. It may also be used to alert against unsafe practices.

**NOTICE**: Indicates information considered important, but not hazard related (e.g., messages relating to property damage).

Consult your implement and tractor operator’s manual for correct and safe operating practices. Be aware of towed implement width and allow safe clearance.

Safety decals are placed on the implement to alert the operator and others to the risk of personal injury or unsafe operation during normal operations and servicing.

1. The safety decals must be kept clean and in good condition to ensure that they are legible.
2. Safety decals must be replaced if they are missing or illegible.
3. When components are replaced during repair or servicing, check that the new components include the necessary safety signs.
4. Replacement safety decals may be obtained from your local dealer.



### WARNING

Read these instructions carefully to acquaint yourself with the Equipment. Working with unfamiliar equipment can lead to accidents.

Never park the equipment on a steep incline or leave the equipment running unattended.

Never clean, lubricate or adjust a machine that is in motion.

Always check that straps are secure.

Make sure latches are in pinned position when moving equipment.

Do not allow children to operate this equipment.

Do not allow riders on the equipment, trailer and/or pick-up.

Use speed and caution dictated by the terrain being traversed. Do not operate on any slope steep enough to cause tipping or loss of control.

Read and understand the operator’s manual and require all other persons who will operate the equipment to do the same.

If operating on public roadways, where legal, be certain all lighting is operating properly and observe all traffic laws.

Beware of increased stopping distances and control effort when operating with implements attached.

Be familiar with all controls and be prepared to stop equipment quickly in an emergency.

**FAILURE TO HEED MAY RESULT IN PERSONAL INJURY OR DEATH.**

## Table of Contents

Foreword.....	3
Warranty .....	3
Safety .....	4
Bolt Torque.....	5
Operation .....	6
Planter Adjustment.....	7-8
Installation Instructions .....	9-11
Part Identification.....	12-19



**Warning:** Never work around the toolbar/implement while in a raised position without using safety lockups.



**Caution:** The Titan™ Residue Manager and its attachments are very heavy. Pay extra attention to lifting techniques while handling or maneuvering the system during assembly. Failure to do so may lead to personal injury.

# BOLT TORQUE



**NOTICE:** Over-tightening hardware can cause just as much damage as under-tightening. Tightening hardware beyond the recommended range can reduce its shock load capacity.





All hardware on the Titan™ Residue Manager is Grade 5 or Grade 8, unless otherwise noted. Grade 5 cap screws are marked with three radial lines on the head. Grade 8 cap screws are marked with six radial lines on the head. If hardware must be replaced, be sure to replace it with hardware of equal size, strength and thread type. Refer to the torque values chart when tightening hardware.

The chart below is a guide for proper torque. Use it unless a specified torque is called out elsewhere in the manual.

Torque is the force applied to the end of the handle or cheater bar, times the length of the handle or bar.

**Use a torque wrench wherever possible.**

The following table shows torque in ft-lbs for coarse thread hardware.

Bolt Diameter and Threads per Inch	 Grade 2	 Grade 5	 A-325	 Grade 8
1/4	6		10	14
5/16	12		20	30
3/8 – 16	25		35	50
7/16 – 14	35		55	80
1/2 – 13	55		85	125
9/16 – 12	75		125	175
5/8 – 11	105		170	235
3/4-10	185		305	425
7/8 – 9	170		445	690
1-8	260		670	1030
1 1/8 – 7	365		900	1460
1 1/4 - 7	515		1275	2060
1 3/8 – 6	675		1675	2700
1 1/2 - 6	900		2150	3500
1 3/4 – 5	1410		3500	5600



**WARNING:** Never work around the toolbar / implement while in a raised position without using safety lockups

# OPERATION



**NOTICE: Where rocks are present, the residue manager should be set to float. The system can be damaged if a rigid setting is used.**

Adjust the residue manager to move crop residue aside and not to move soil. Adjustments to the residue manager may have to be made with changing field conditions and the type and/or amount of residue. Use the handle for leverage when changing depth settings.

## Float Settings

Install the adjustment pin below the combo arm.

To raise the wheels, lift the combo arm and move the adjustment pin up.

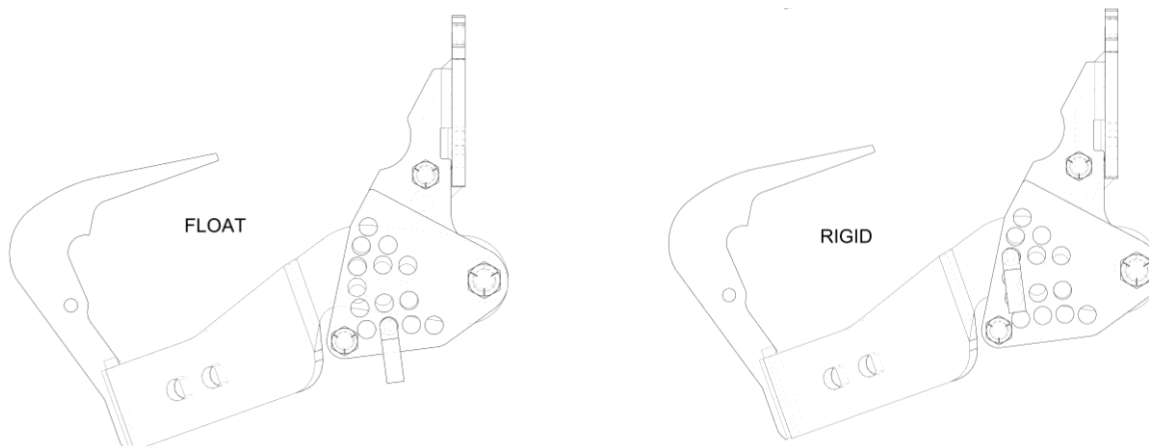
To lower the wheels, lift the combo arm and move the adjustment pin down.

## Rigid Settings

Install the adjustment pin through the combo arm.

To raise wheels, lift the combo arm to the desired position and insert the pin.

To lower wheels, lower the combo arm to the desired position and insert the pin.



## Residue Manger Do's and Don'ts

1. DO NOT move soil; Residue Managers are designed to move crop residue only.
2. DO NOT operate planter at slow speeds, ground speed affects how aggressive the spoke wheels are. Operate at sufficient speed (4-6 mph) to maintain good residue flow.
3. DO NOT expect 100% of crop residue to be cleared. It is not necessary and would necessitate engaging the soil. The width of the cleared path depends on ground conditions, depth setting, and ground speed.
4. DO expect to see wheels occasionally quit turning. This indicates ideal (shallow) setting which is not moving soil.
5. DO adjust toolbar frame height 20"-22" and drawbar to level correctly. This is very important to ensure planter opener will follow ground contours properly.

# STOP

Read this before using the Yetter product.



**NOTICE:** failure to properly set the planter frame height and levelness can result in less than successful operation of the planter and the Yetter product and may result in damaged equipment. All operators should read and thoroughly understand the instructions given prior to using the Yetter product.



**NOTICE:** DO NOT use this product if the planter is not adjusted properly!

## **Leveling the planter:**

With the planter lowered to proper operating height (**Usually 20"-22"**).

**Read the planter operator's manual for recommended setting.** Check to be sure the toolbar and row unit parallel arms are level fore and aft. **Re-check** when the planter is in the **field** and has been **fully loaded** with seed, fertilizer, granular chemicals, etc. Also, a field check with a bubble level on the frame should be made of the hitch height to ensure level operation front to back.

It is important for the planter to operate level laterally. Tire pressure must be maintained at pressures specified by the manufacturer.

Field and actual planting conditions change and will dictate planter frame heights. You must ensure that the row unit parallel arms are approximately parallel with the ground.



**NOTICE:** For proper operation of the planter attachments and row units, it is imperative that the planter toolbars and row unit parallel arms be level side-to-side and front-to-rear. The toolbar frame should operate at a 20"-22" height from the **planting surface**. Check the manufacturer's operator's manual for instructions on how to adjust the frame height and levelness.

# PLANTER ADJUSTMENT

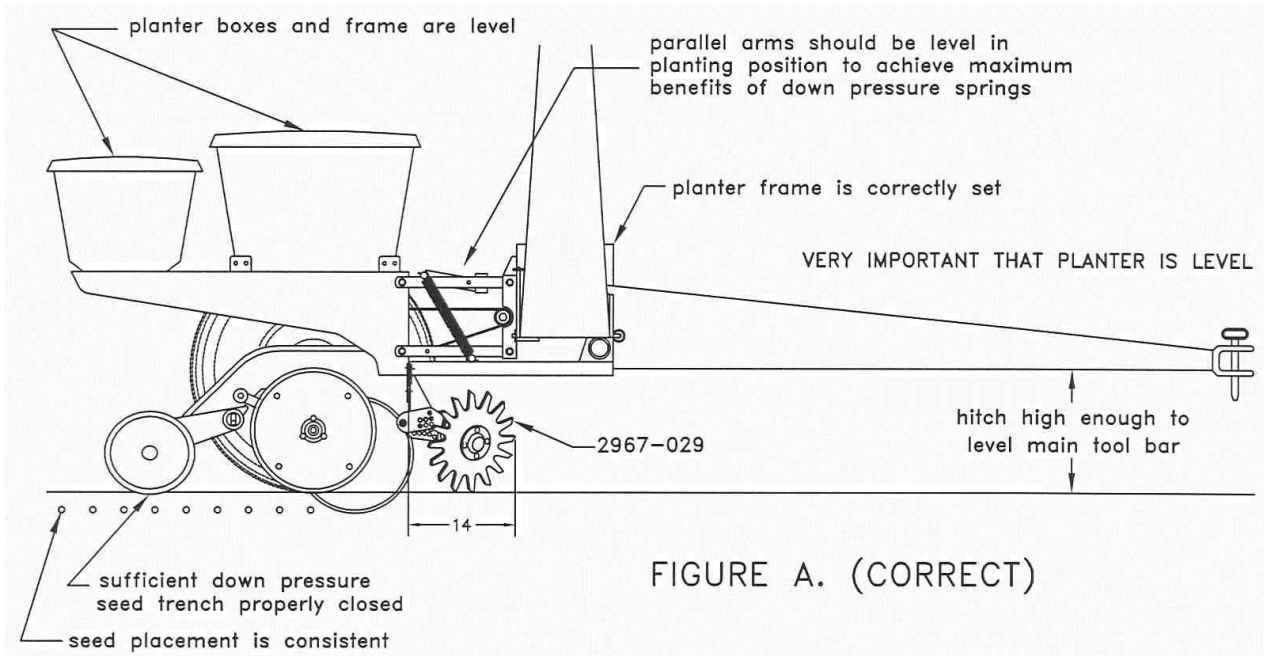


FIGURE A. (CORRECT)

1723-3

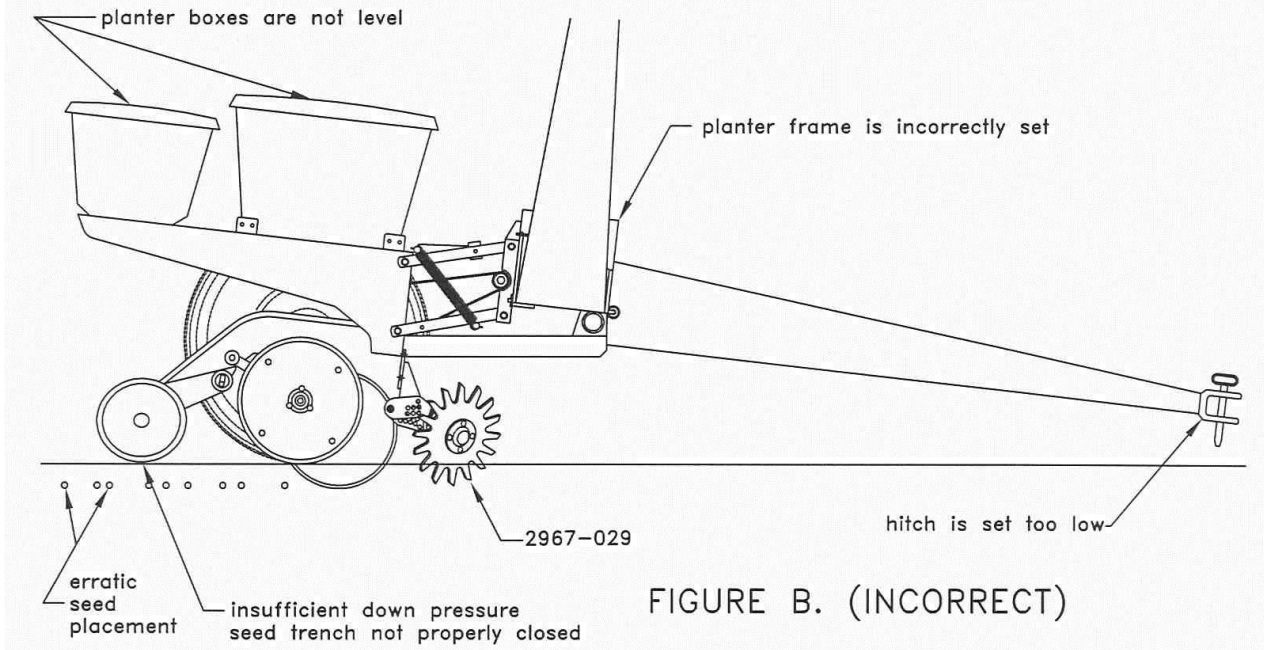


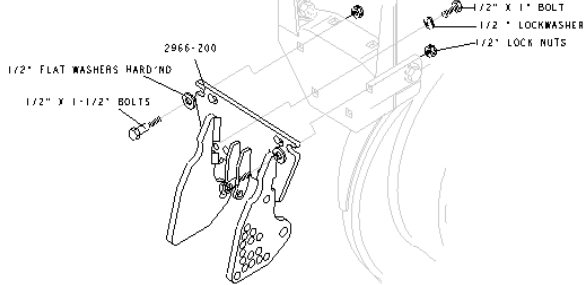
FIGURE B. (INCORRECT)

# INSTALLATION INSTRUCTIONS

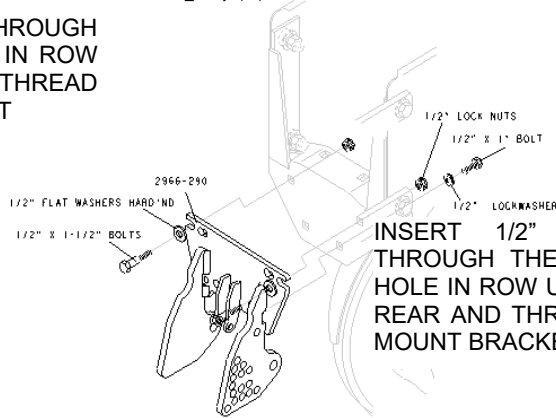
**Step 1:** Attach the 2966-290 mount bracket to the planter unit using (3) 1/2" bolts and lock nuts.

JD 7000, KINZE  
WHITE 6000  
YETTER

INSERT 1/2" X 1" BOLT THROUGH THE LOWER RIGHT HOLE IN ROW UNIT FROM REAR AND THREAD INTO THE MOUNT BRACKET

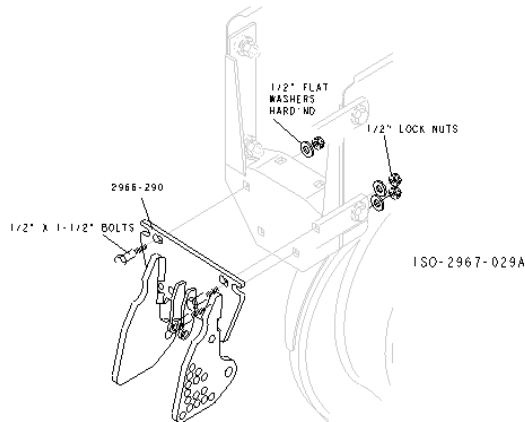


WHITE 8000

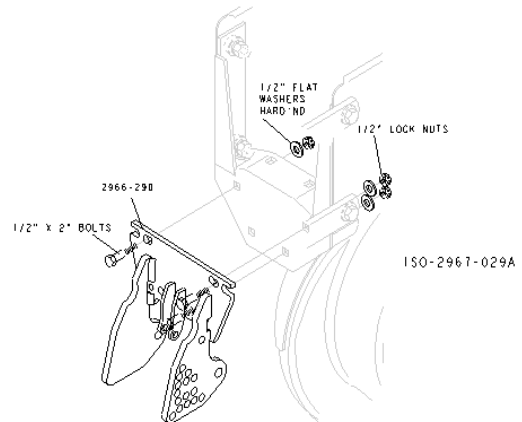


INSERT 1/2" X 1" BOLT THROUGH THE LOWER LEFT HOLE IN ROW UNIT FROM THE REAR AND THREAD INTO THE MOUNT BRACKET

JD 1700, 7200 KINZE 4900



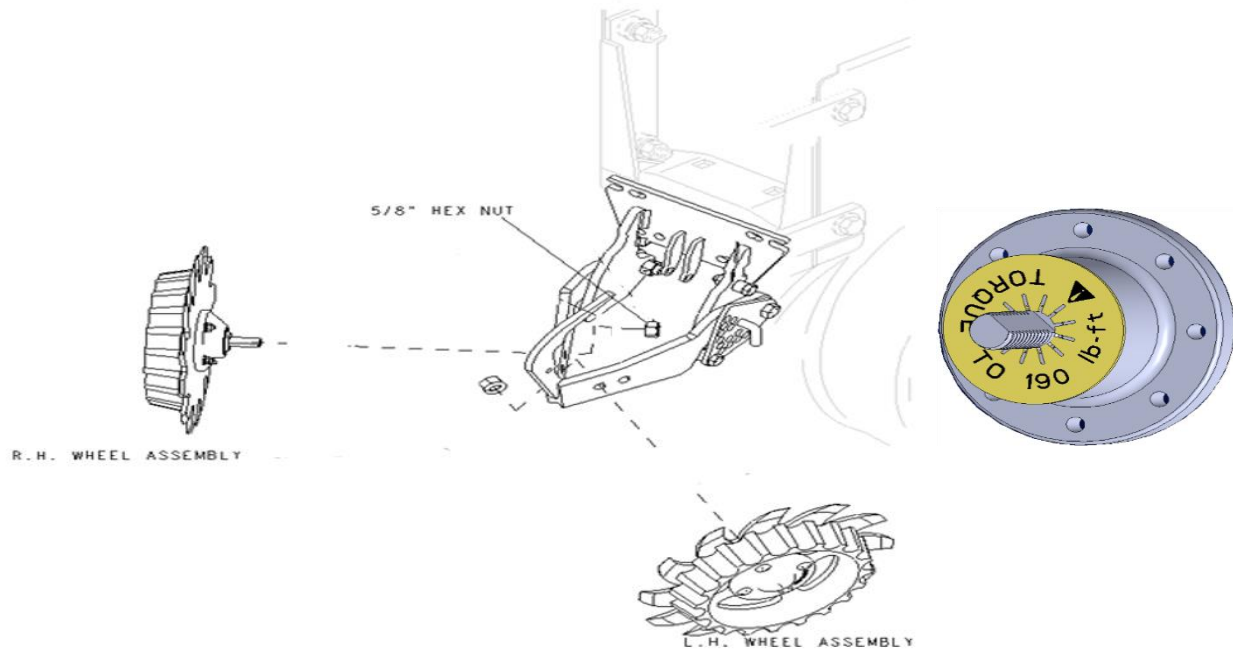
WHITE 9000



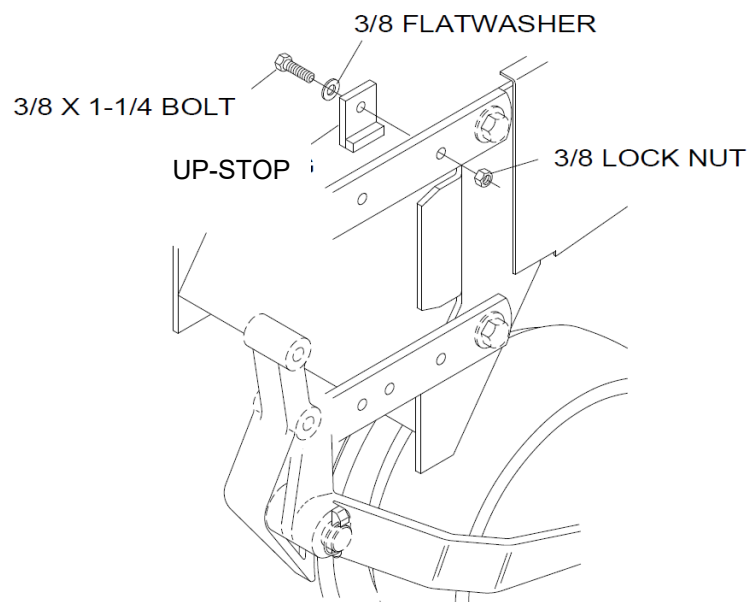
**Step 1A:** Attach the 2966-293 adapter to the CIH row unit using the 1/2" x 3-1/2" bolts and lock nuts. Then, install the 2966-290 mount bracket to the adapter using the 1/2" x 1-1/2" carriage bolts and flanged lock nuts.

# INSTALLATION INSTRUCTIONS

**Step 2:** Choose the hole in which to attach the RM wheel assemblies. Attach the RM wheel/hub assemblies to the combo arm using 5/8" lock washers and hex nuts. If applicable, adjust the bearing shield to top dead center then, rotate slightly forward. **Torque to 190 ft-lbs.**



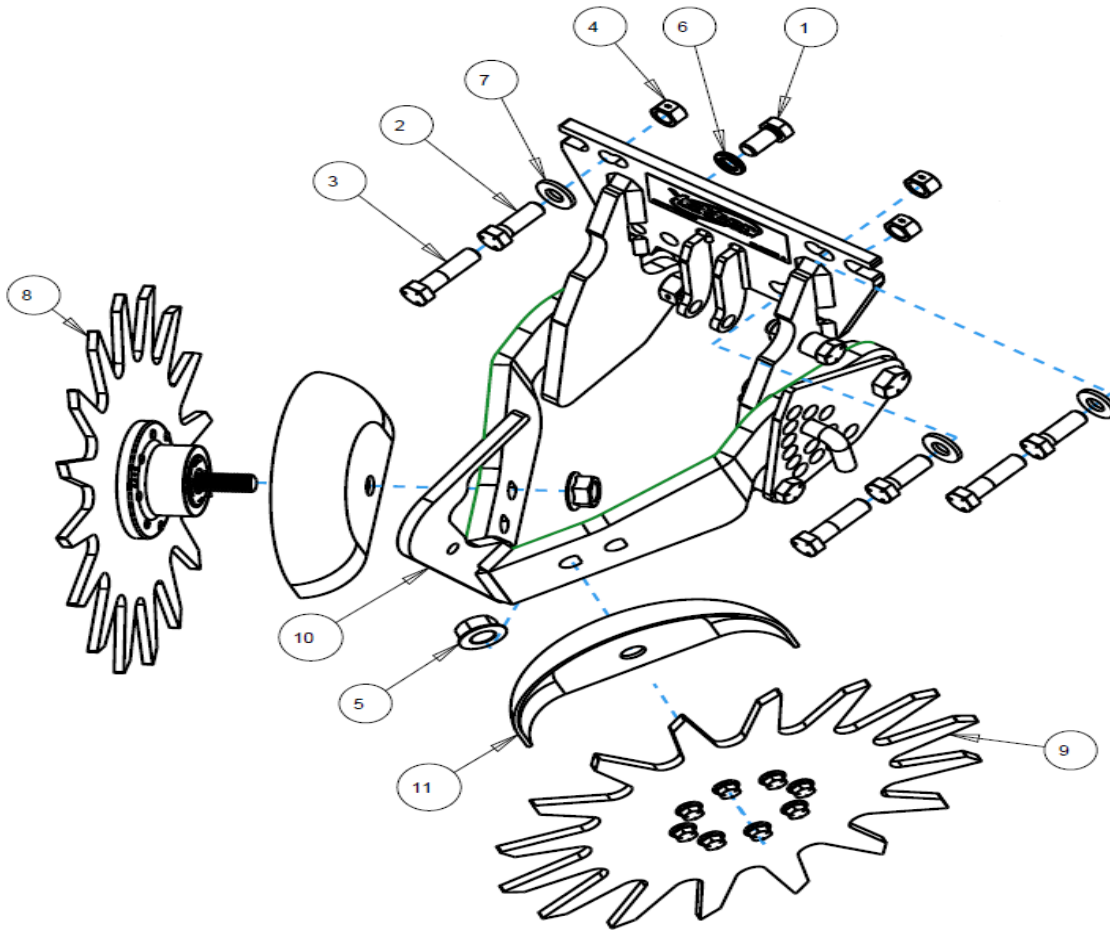
**Step 3: ONLY FOR 2967-097A MOUNTING ON CASEIH ROW UNIT**  
Attach the arm stop to the planter row unit parallel arms using the 3/8" hardware.



1727-4A

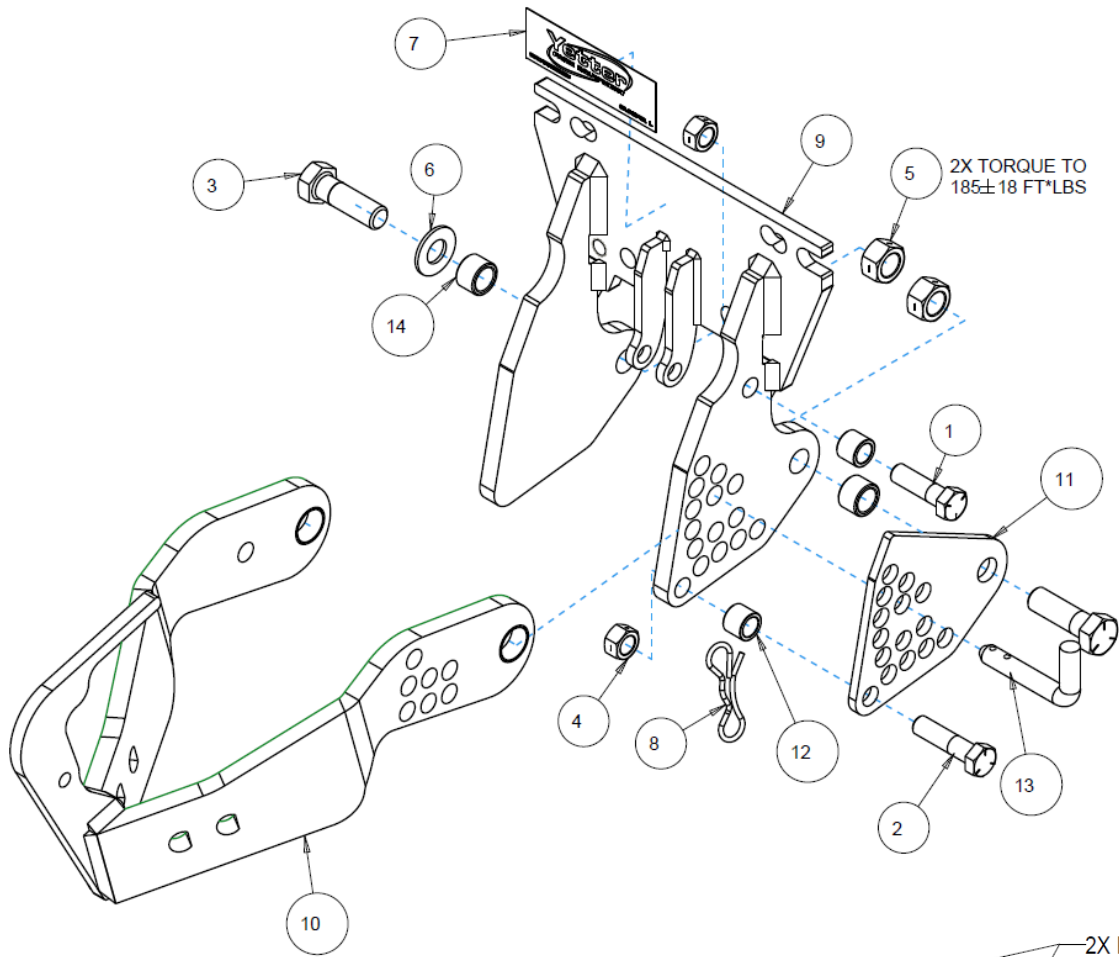
# PART IDENTIFICATION

## 2967-029C



ITEM	PART NO.	DESCRIPTION	QTY
1	2502-292	1/2-13 X 1 HHCS GRADE 5	1
2	2502-294	1/2-13 X 1-1/2 HHCS GRADE 5	3
3	2502-351	1/2-13 X 2 HHCS GRADE 5	3
4	2520-357	1/2-13 LOCK NUT GRADE A	4
5	2520-465	5/8-11 FLANGE NUT GRADE 8	2
6	2525-352	1/2 LOCK WASHER	1
7	2526-355	1/2 FLAT WASHER HARDENED	3
8	2966-140	RIGHT HAND TAPER TOOTH WHEEL ASSEMBLY	1
9	2966-141	LEFT HAND TAPER TOOTH WHEEL ASSEMBLY	1
10	2967-029C SUB ASSY	ARM ASSEMBLY	1
11	2967-392	SHIELD	2

# PARTS IDENTIFICATION 2967-029C-SUBASSY

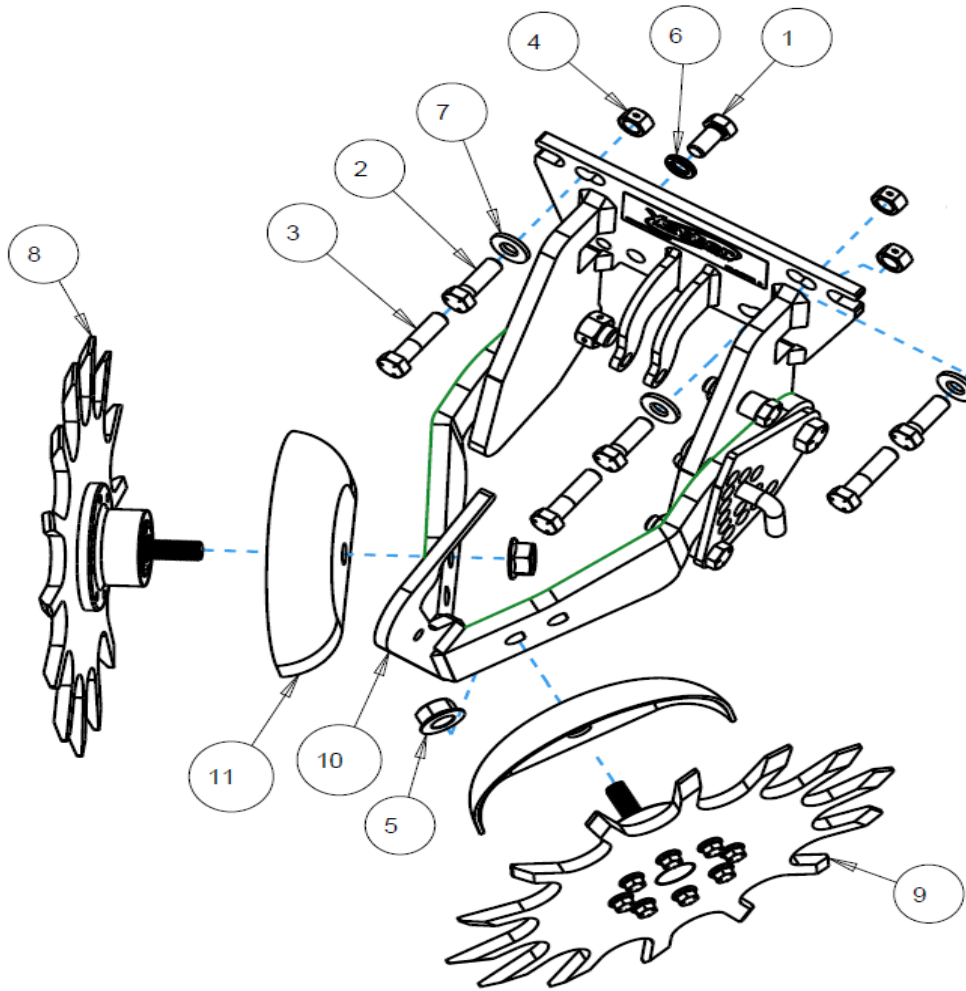


ITEM	PART NO.	DESCRIPTION	QTY
1	2502-317	1/2-13 X 1-3/4 HHCS GRADE 5	1
2	2502-351	1/2-13 X 2 HHCS GRADE 5	1
3	2502-391	5/8-11 X 2 HHCS GRADE 5	2
4	2520-357	1/2-13 LOCK NUT GRADE A	2
5	2520-459	5/8-11 LOCK NUT GRADE B	2
6	2526-453	5/8 SAE FLAT WASHER	1
7	2565-162	YETTER DECAL	1
8	2570-448	BOW TIE COTTER PIN	1
9	2966-290	MOUNT BRACKET	1
10	2966-292A	ARM	1
	6000-560	SPLIT TENSION BUSHING	2
11	2967-639	ADJUSTMENT PLATE	1
12	2967-861	9/16" SPACER	2
13	2984-326	PIN	1
14	6000-555	PIVOT BUSHING HARDENED	2



# PARTS IDENTIFICATION

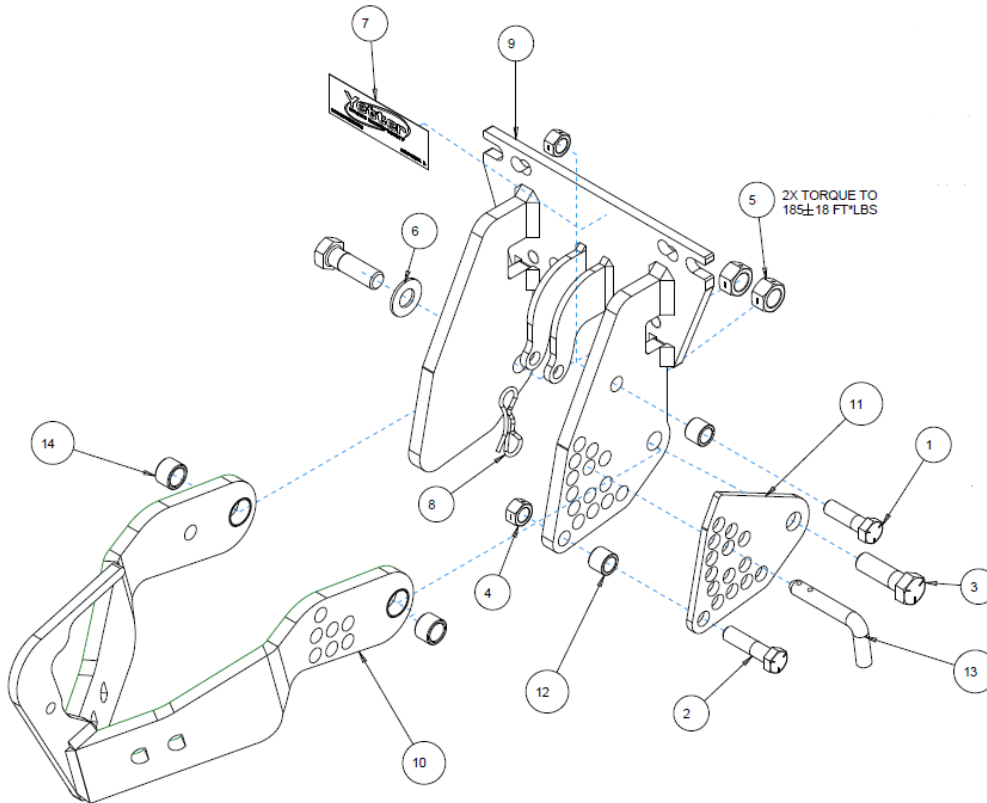
## 2967-029C-BW-PP



ITEM	PART NO.	DESCRIPTION	QTY
1	2502-292	1/2-13 X 1 HHCS GRADE 5	1
2	2502-294	1/2-13 X 1-1/2 HHCS GRADE 5	3
3	2502-351	1/2-13 X 2 HHCS GRADE 5	3
4	2520-357	1/2-13 LOCK NUT GRADE A	4
5	2520-465	5/8-11 FLANGE NUT GRADE 8	2
6	2525-352	1/2 LOCK WASHER	1
7	2526-355	1/2 FLAT WASHER HARDENED	3
8	2966-140-BW	RIGHT HAND BEVEL WHEEL ASSEMBLY	1
9	2966-141-BW	LEFT HAND BEVEL WHEEL ASSEMBLY	1
10	2967-029A SUBASSY-PP	ARM ASSEMBLY-PP	1
11	2967-392	SHIELD	2

# PARTS IDENTIFICATION

## 2967-029C-SUBASSY-PP

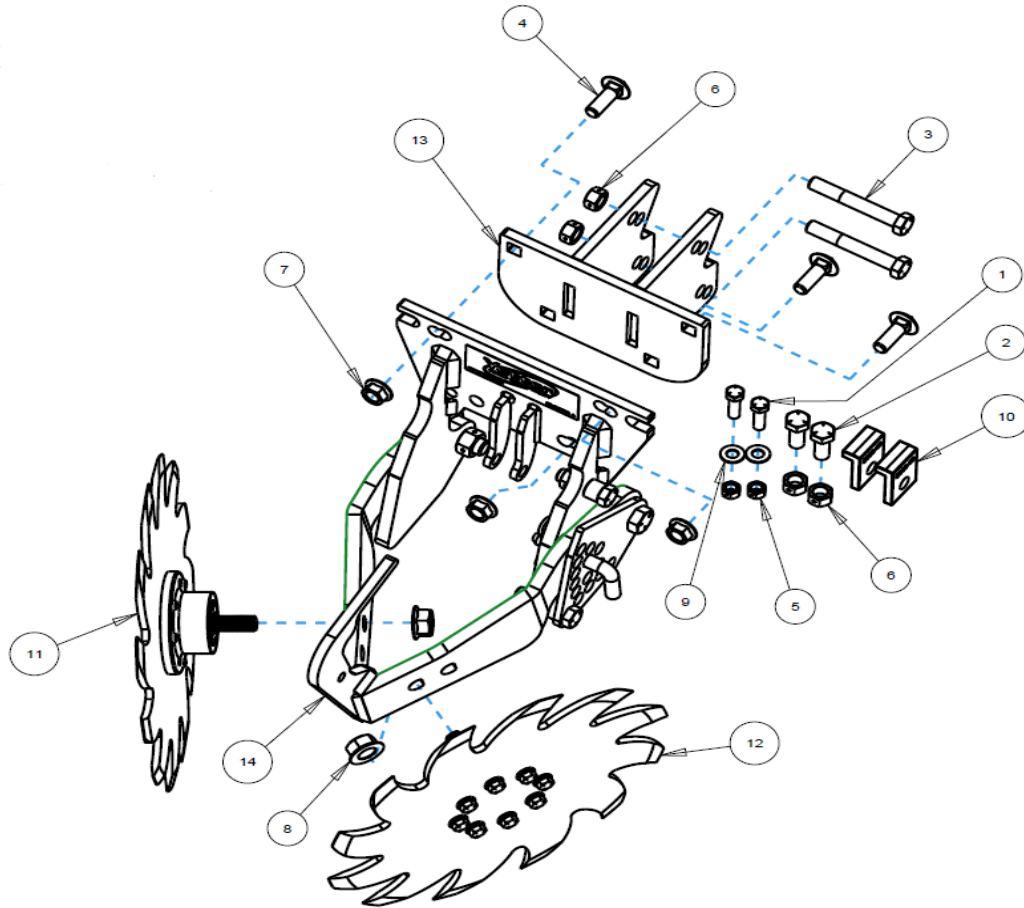


ITEM	PART NO.	DESCRIPTION	QTY
1	2502-317	1/2-13 X 1-3/4 HHCS GRADE 5	1
2	2502-351	1/2-13 X 2 HHCS GRADE 5	1
3	2502-391	5/8-11 X 2 HHCS GRADE 5	2
4	2520-357	1/2-13 LOCK NUT GRADE A	2
5	2520-459	5/8-11 LOCK NUT GRADE B	2
6	2526-453	5/8 SAE FLAT WASHER	1
7	2565-162	YETTER DECAL	1
8	2570-448	BOW TIE COTTER PIN	1
9	<b>2966-2002</b>	<b>MOUNT BRACKET PP</b>	1
10	2966-292A	ARM	1
	6000-560	SPLIT TENSION BUSHING	2
11	2967-639	ADJUSTMENT PLATE	1
12	2967-861	9/16 SPACER	2
13	2984-326	PIN	1
14	6000-555	PIVOT BUSHING HARDENED	2



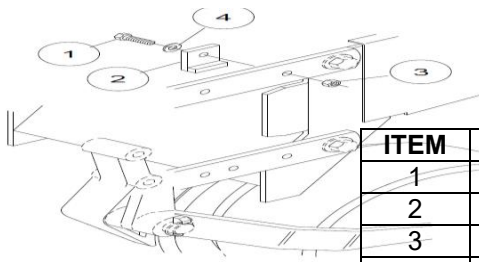
# PARTS IDENTIFICATION

## 2967-097C-ST



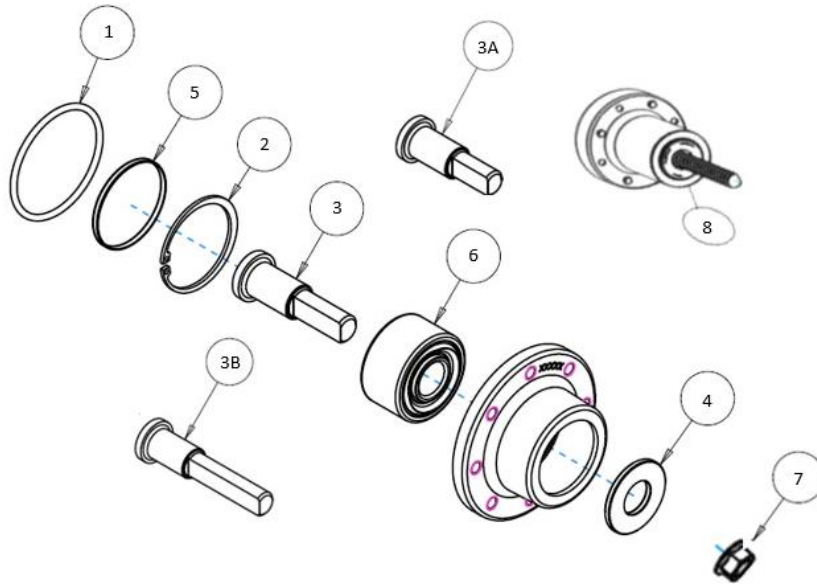
ITEM	PART NO.	DESCRIPTION	QTY
1	2502-244	3/8-16 X 1-1/4 HHCS GRADE 5	2
2	2502-293	1/2-13 X 1-1/4 HHCS GRADE 5	2
3	2502-316	1/2-13 X 3-1/2 HHCS GRADE 5	2
4	2505-339	1/2-13 x 1-1/2 CARRIAGE BOLT GRADE 5	3
5	2520-255	3/8-16 LOCK NUT GRADE A	2
6	2520-357	1/2-13 LOCK NUT GRADE A	4
7	2520-361	1/2-13 FLANGE NUT GRADE 5	3
8	2520-465	5/8-11 FLANGE NUT GRADE 8	2
9	2526-253	3/8 SAE FLAT WASHER	2
10	2960-411	ARM STOP	2
11	2966-140-ST	RIGHT HAND SHARK TOOTH WHEEL ASSEMBLY	1
12	2966-141-ST	LEFT HAND SHARK TOOTH WHEEL ASSEMBLY	1
13	2966-293	ADAPTER	1
14	2967-029C-SUBASSY	ARM ASSEMBLY	1

## PARTS IDENTIFICATION 2965-135 UP-STOP KIT



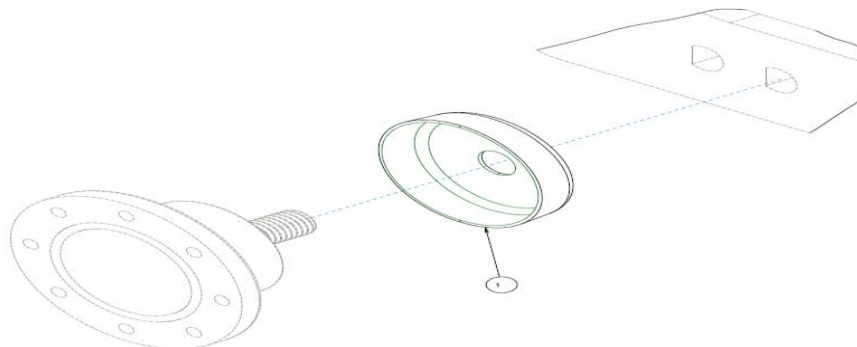
ITEM	PART #	DESCRIPTION	QTY
1	2502-244	3/8-16 x 1-1/4 HHCS GR 5	2
2	2960-223	UP-STOP	2
3	2520-255	3/8-16 HEX LOCK NUT	2
4	2526-253	3/8 SAE FLATWASHER	2

### 8 BOLT HUB ASSEMBLY



ITEM	PART #	DESCRIPTION	QTY
1	2550-074	O-RING 3.55MM X 56MM ID	1
2	2550-529	SNAP RING	1
3	2965-600A	SHAFT 73 MM (2965-500 HUB ASSEMBLY)	1
3A	2965-602A	SHAFT 66.7 MM (2965-502 HUB ASSEMBLY)	1
3B	2965-601A	SHAFT 98.4 MM (2965-501 HUB ASSEMBLY)	1
4	2965-604A	SPACER	1
5	2965-605A	CAP	1
6	2965-606	BEARING	1
7	2520-465	5/8-11 FLANGE HEX NUT GRADE 8	1
8	2965-500	HUB ASSEMBLY 1.406" SPINDLE	1
	2965-501	HUB ASSEMBLY 2.406" SPINDLE	1
	2965-502	HUB ASSEMBLY 1.157" SPINDLE	1

### OPTIONAL



ITEM	PART NO.	DESCRIPTION	QTY
1	2965-550	BEARING SHIELD	1

# PARTS IDENTIFICATION

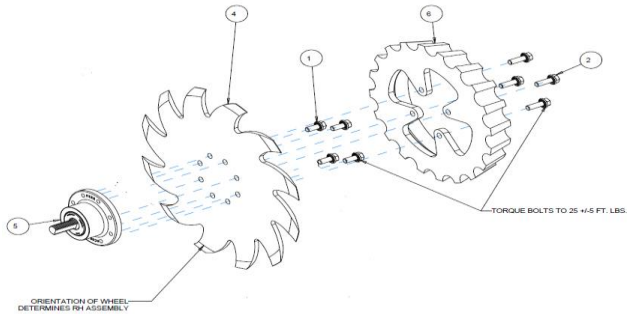
## 2966-140-ST-FW

## 2966-140-ST-PFW

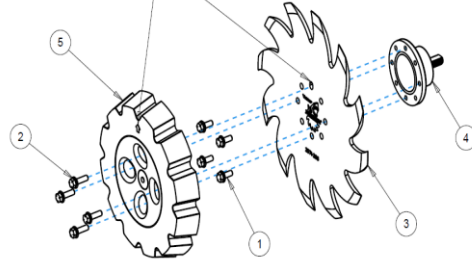
### RIGHT HAND SHARK TOOTH WHEEL ASSEMBLY



ITEM	PART NO.	DESCRIPTION	QTY
1	2502-220	5/16-18 X 3/4 HHFS GR5 ZP	4
2	2502-221	5/16-18 X 1 HHFS GR5 ZP	4
3	2571-286	SHARKTOOTH WHEEL, 8 BOLT	1
4	2965-500	HUB ASSEMBLY, 1.406 SPINDLE	1
5	2967-560	SHARKTOOTH TIMED FLOATER WHEEL	1

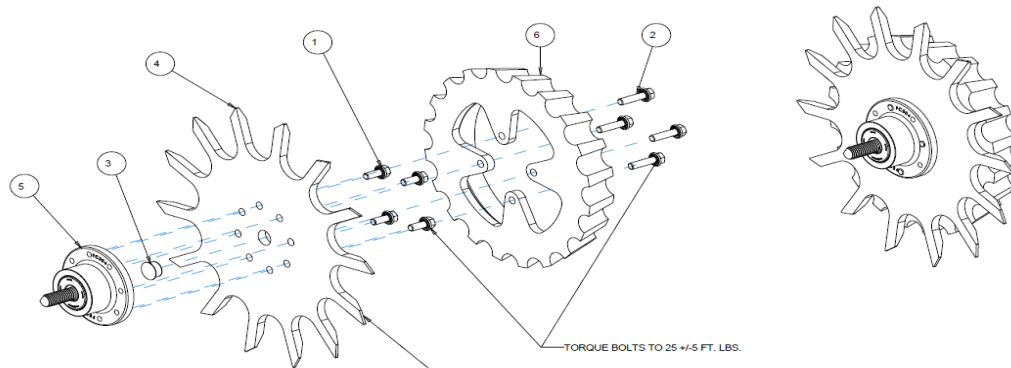


LINE UP ARROW ON FLOATER WITH SLOT ON WHEEL TO INSURE PROPER TIMING OF NOTCHES.



ITEM	PART NO.	DESCRIPTION	QTY
1	2502-220	5/16-18 X 3/4 HHFS GR5 ZP	4
2	2502-221	5/16-18 X 1 HHFS GR5 ZP	4
3	2571-562	13" WHEEL COVER, BLACK	2
4	2571-286	SHARKTOOTH WHEEL, 8 BOLT	1
5	2965-500	HUB ASSEMBLY, 1.406 SPINDLE	1
6	2967-560	FLOATER WHEEL	1

### 2966-140-BW-FW RIGHT HAND BEVEL WHEEL ASSEMBLY



SCALE 0.500

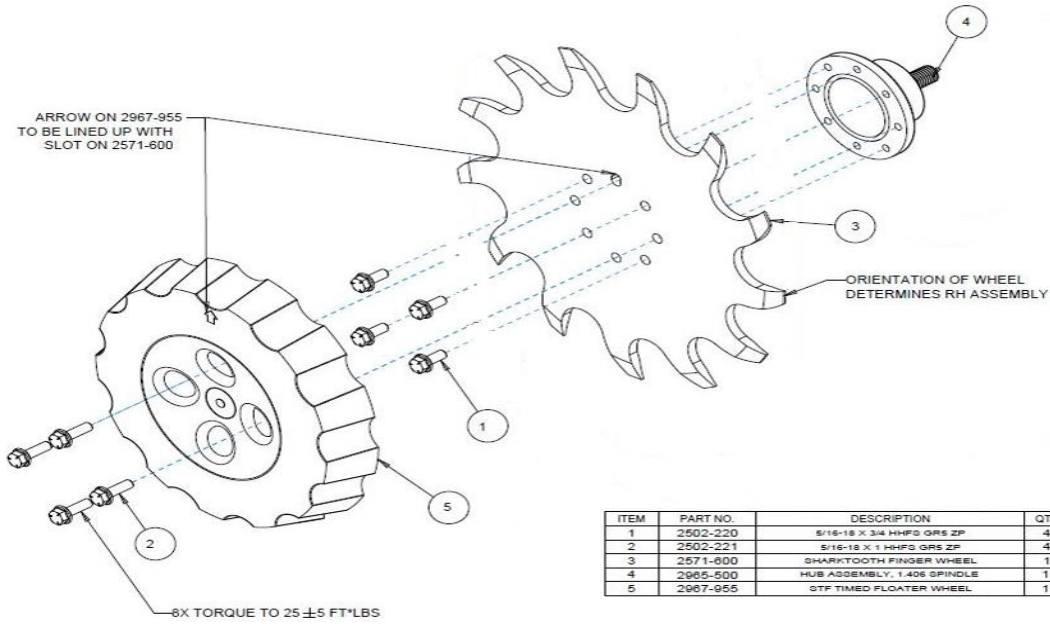
ORIENTATION OF WHEEL DETERMINES RH ASSEMBLY  
NOTE: BEVELS AWAY FROM HUB SIDE

ITEM	PART NO.	DESCRIPTION	QTY
1	2502-220	5/16-18 X 3/4 HHFS GR5 ZP	4
2	2502-222	5/16-18 X 1-1/4 HHFS GR5 ZP	4
3	2570-994	BEVEL WHEEL CENTER HOLE PLUG	1
4	2571-287-R	13" BEVEL WHEEL, 8 BOLT, RH	1
5	2965-500	HUB ASSEMBLY, 1.406 SPINDLE	1
6	2967-560	FLOATER WHEEL	1

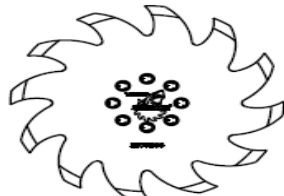
# PARTS IDENTIFICATION

2966-140-STF-PFW

## RIGHT HAND SHARKTOOTH FINGER WHEEL ASSEMBLY



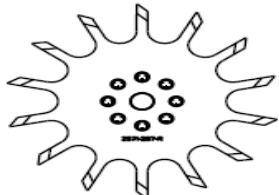
ITEM	PART NO.	DESCRIPTION	QTY
1	2502-220	5/16-18 X 3/4 HHFS QRS ZP	4
2	2502-221	5/16-18 X 1 HHFS QRS ZP	4
3	2571-800	SHARKTOOTH FINGER WHEEL	1
4	2965-500	HUB ASSEMBLY, 1.406 SPINDLE	1
5	2967-955	QTF TIMED FLOATER WHEEL	1



SHARKTOOTH WHEEL ASSEMBLY  
RIGHT HAND 2966-140-ST(SHOWN)  
LEFT HAND 2966-141-ST



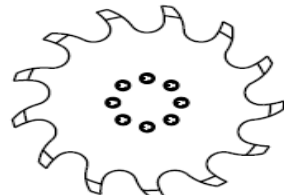
SHARKTOOTH WHEEL ASSEMBLY W/FLOATER WHEEL  
RIGHT HAND 2966-140-ST-FW(SHOWN)  
LEFT HAND 2966-141-ST-FW



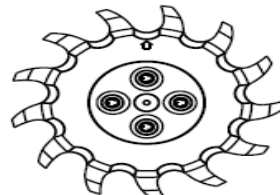
BEVEL WHEEL ASSEMBLY  
RIGHT HAND 2966-140-BW(SHOWN)  
LEFT HAND 2966-141-BW



BEVEL WHEEL ASSEMBLY W/FLOATER WHEEL  
RIGHT HAND 2966-140-BW-FW(SHOWN)  
LEFT HAND 2966-141-BW-FW



SHARKTOOTH FINGER WHEEL ASSEMBLY  
RIGHT HAND 2966-140-STF(SHOWN)  
LEFT HAND 2966-141-STF

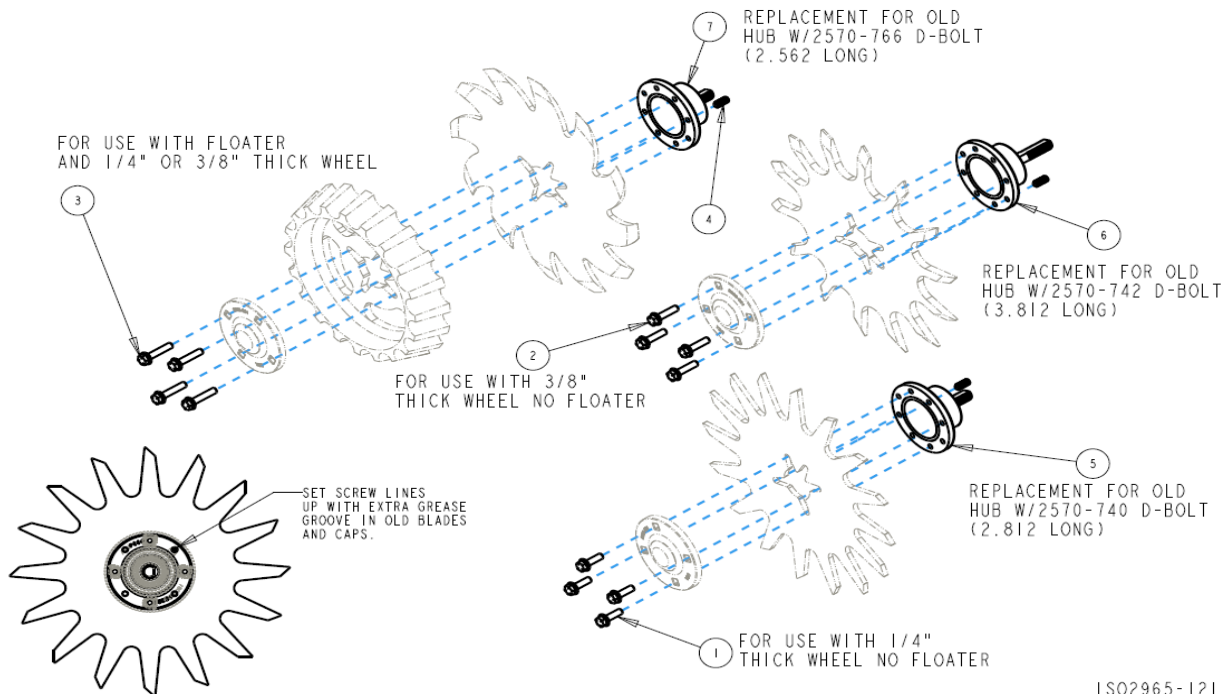


SHARKTOOTH FINGER WHEEL ASSEMBLY W/FLOATER WHEEL  
RIGHT HAND 2966-140-STF-FW(SHOWN)  
LEFT HAND 2966-141-STF-FW

ISO2966-140\_ASSEMBLIES

### FIELD SERVICE KITS

- 2965-119 - SERVICE KIT FOR 2570-740-2.812 D-BOLT
- 2965-120 - SERVICE KIT FOR 2570-742-3.812 D-BOLT
- 2965-121 - SERVICE KIT FOR 2570-766-2.562 D-BOLT



ISO2965-121-2

ITEM	PART NO	DESCRIPTION	QTY
1	2502-221	5/16-18 X 1 HHFS GRADE 5	4
2	2502-222	5/16-18 X 1-1/4 HHFS GRADE 5	4
3	2502-225	5/16-18 X 1-1/2 HHFS GRADE 5	4
4	2940-560	SET SCREW	1
5	2965-500	HUB ASSEMBLY 1.406 SPINDLE	1
6	2965-501	HUB ASSEMBLY 2.406 SPINDLE	1
7	2965-502	HUB ASSEMBLY 1.157 SPINDLE	1



ITEM	PART NO	DESCRIPTION	QTY
1	2505-207	5/16-18 X 1-1/4 CARRIAGE HEAD BOLT GRADE 5	4
2	2520-206	5/16-18 FLANGE LOCK NUT	4
3	2570-740	D-BOLT FLANGE HEAD 5/8-11 X 2.812 GRADE 8	1
4	2965-128	HUB/BEARING ASSEMBLY	1
	2550-069	SEAL	1
	2570-594	BEARING	1
	2570-715	INSERT	1
	2965-351	HUB	1
	2533-110	GREASE FITTING	1
5	2965-352	HUB CAP	1
6	2967-602	SHARK TOOTH WHEEL	1
7	2520-465	5/8-11 FLANGE LOCK NUT GRADE 8	1



A Tradition of Solutions since 1930

Yetter Farm Equipment Co

PO BOX 358 109 S. McDonough

Colchester, IL 62326-0358

Phone: 309-776-4111

Toll Free: 800-447-5777

Email: [info@yetterco.com](mailto:info@yetterco.com)

For updated models and manuals visit the Yetter website:

[www.yetterco.com](http://www.yetterco.com)

© Yetter Farm Equipment Co. All Rights Reserved

2565-696\_REV\_T • 06/2026