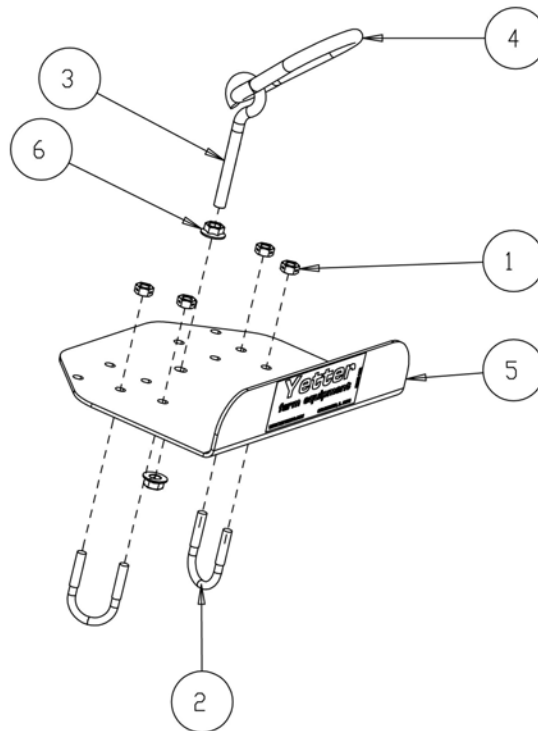




6200-040

DRAG CHAIN SHIELD ASS'Y



ITEM	PART #	DESCRIPTION	QTY
1	2520-152	1/4-20 LOCK HEX NUT ZP	4
2	2570-582	1/4 X 1 X 1-3/4 U-BOLT	2
3	2570-744	5/16-18 X 2 1/2 EYEBOLT ZP	1
4	2570-826	0.375 X 4 SPRING HOOK	1
5	6200-443	DRAG CHAIN SHIELD	1
	2565-162	YETTER DECAL, 1-1/2 X 4-1/2	1
6	N10213	5/16-18 SERRATED FLNG, GR 2, NTZP	2

2565-789\_REV\_A • 02/2016

**YETTER MANUFACTURING CO.**  
 FOUNDED 1930

Colchester, IL 62326-0358  
 Toll free: 800/447-5777  
 309/776-3222 (Fax)  
 Website: [www.yetterco.com](http://www.yetterco.com)  
 E-mail: [info@yetterco.com](mailto:info@yetterco.com)

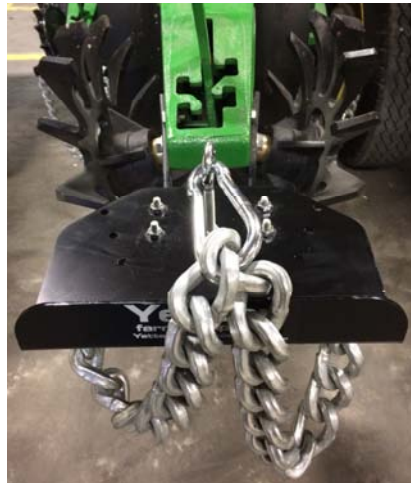


## INSTALLATION / ASSEMBLY INSTRUCTIONS

Attach the drag chain shield kit to chain brackets with the u-bolts and 1/4" lock nuts. Thread a 5/16" flange nut onto the eyebolt then install onto the shield and secure with a 5/16" flange nut. Next attach the 2570-826 spring hook carabiner. Securely tighten all hardware.



**Adjustments:** Position brackets to carry front of chain about 3" to 4" above soil. Securely tighten hardware. For best soil leveling, keep front end of the chain as low as possible while maintaining clearance above the soil for the bracket ends. Use drag chains when planting in minimum till or in no-till where at least some of the soil surface is dry. Lift the chain into storage position when conditions aren't desirable to operate the drag chain.



**NOTE:** As with any type of furrow closing implement it is advisable to do spot field checks and make adjustments as necessary. There is no substitute for visual inspection to verify that the seed is being properly placed. Careful attention is required when using fertilizer, herbicide and/or insecticide, consult your chemical provider for compatibility.

## 6200-108 DRAG CHAIN APPLICATION CHART

MAKE	MODEL	40 MM BEARING BOLT ON WHEEL	WATER PUMP BEARING W/ HOLES IN ARM	WATER PUMP BEARING W/O HOLES IN ARM	BOLT ON WHEEL HOLES IN ARM	WHERE TO ATTACH 6200-108 DRAG CHAIN
YETTER	6000-002	X				MOUNT TO WHEEL BOLT
JOHN DEERE	7000/ME		X			MOUNT TO HOLES IN ARM
	7200/ME II				X	MOUNT TO HOLES IN ARM
	1700/ME II PLUS	X				MOUNT TO WHEEL BOLT
KINZE	PRE-1993			X		DRILL HOLES
	1993-PRESENT	X				MOUNT TO WHEEL BOLT
WHITE	5100		X			MOUNT TO HOLES IN ARM
	6100	X				MOUNT TO WHEEL BOLT
	8000	X				MOUNT TO WHEEL BOLT
	9000	X				
GREAT PLAINS	ALL	X				MOUNT TO WHEEL BOLT
LANDOLL/DEUTZ-ALLIS	ALL	N/A	N/A	N/A	N/A	N/A
MONOSEM	NG PLUS	X				MOUNT TO WHEEL BOLT
SHOUP	CW 7050		X			MOUNT TO HOLES IN ARM
	CW 3000		X			MOUNT TO HOLES IN ARM
CASE/ NEW HOLLAND	ALL	N/A	N/A	N/A	N/A	N/A

# Our name Is getting known

Just a few years ago, Yetter products were sold primarily to the Midwest only. Then we embarked on a program of expansion and moved into the East, the South, the West and now north into Canada. We're even getting orders from as far away as Australia and Africa.

So, when you buy Yetter products . . .you're buying a name that's recognized. A name that's known and respected. A name that's become a part of American agriculture and has become synonymous with quality and satisfaction in the field of conservation tillage.

Thank you.

**YETTER MANUFACTURING CO.**  
Colchester, IL 62326-0358 ☎ 309/776-4111  
Toll Free 800/447-5777  
Fax 309/776-3222  
Website: [www.yetterco.com](http://www.yetterco.com)  
E-mail: [info@yetterco.com](mailto:info@yetterco.com)