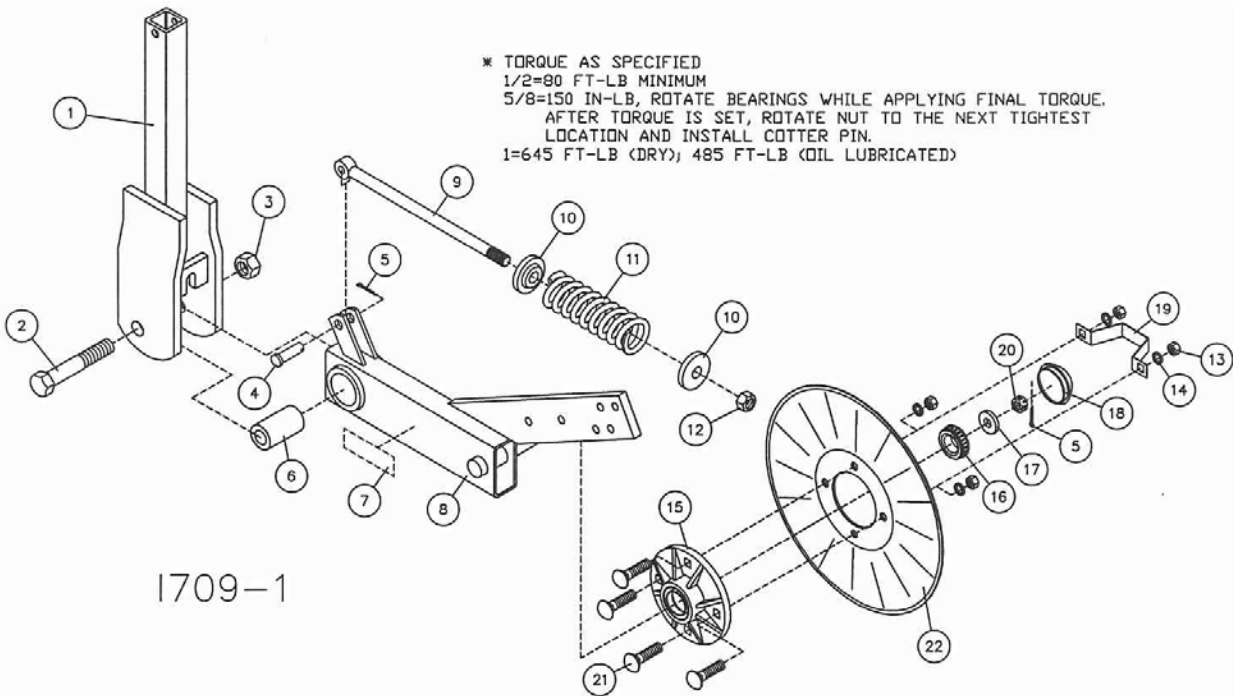


## PARTS IDENTIFICATION



1709-1

2987-012 – INJ MAGNUM ASSEMBLY (RH) (SHOWN)

2987-011 – INJ MAGNUM ASSEMBLY (LH)

DET	QTY	PART NO.	DESCRIPTION
	1	2987-222	PIVOT SHANK W.A.
	1	2502-775	1-8 X 5 1/2 HHCS GR 5 ZP
*	1	2520-562	1-8 LOCK HEX NUT ZP
	1	2995-308	SPRING ROD PIN
	2	2531-102	1/8 X 1-1/4 COTTER PIN BLACK
	1	2987-303	PIVOT BUSHING
	1	2565-162	YETTER DECAL, 1-1/2 X 4-1/2
	1	2987-227	COULTER ARM W.A., LH (INJ)
	1	2987-228	COULTER ARM W.A., RH (INJ) (SHOWN)
	1	2987-305	SPRING ROD, 15", ZYD
	2	2555-167	SPRING BUSHING CASTING
	1	2550-765	SPRING – 30D X 5/8 COMPRESSION
	1	2520-516	3/4-10 NYLON INSERT LOCKNUT ZP
*	4	2520-352	1/2-13 HEX NUT ZP
	4	2525-352	1/2 MED LOCKWASHER ZP
	1	2900-135	HUB SUB-ASSEMBLY
	1	2550-027	CONE, LM67048
	1	2550-066	TRIPLE LIP SEAL
	2	2550-029	CUP, LM67010
	1	2533-110	1/4-28 ZERK STRAIGHT SELF-TAP
	1	2550-027	CONE, LM67048
	1	2526-449	5/8 FLATWASHER, 1/4 +- .010 THK
	1	2570-375	HUB CAP, WILTON #909902
	1	2987-301	HUB CAP RETAINER
*	1	2520-469	5/8-18 SLOTTED HEX NUT, BLACK
	4	2505-339	1/2-13 X 1-1/2 CAR BLT GR 5 ZP
	1	2571-155	.157 X 17.656" 13 FLUTE BLADE
	1	2571-179	.157 X 17.63" 25 FLUTE BLADE

## PARTS IDENTIFICATION