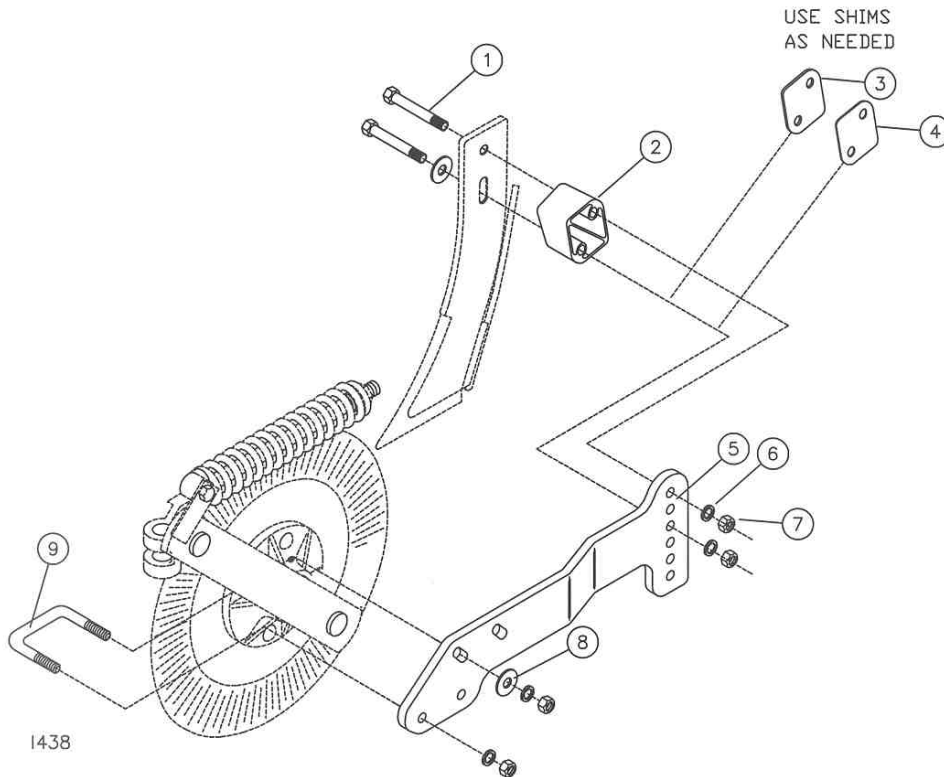


# Yetter

... for land's sake

## 2910-110 BOLT ON KNIFE MOUNTING KIT



2910-110 BOLT ON KNIFE MOUNTING KIT

KEY	QTY.	PART NO.	DESCRIPTION
1	2	2502-358	1/2-13 X 3 1/2 HHCS GR. 8 ZP
2	1	2995-309	SPACER BLOCK, 1.531"
3	1	2970-319	KNIFE SHIM, 1/8", ZP.
4	1	2970-320	KNIFE SHIM, 16 GA., ZP
5	1	2910-321	HD INJECTOR ARM, 2910
6	4	2525-352	1/2" LOCKWASHER ZP
7	4	2520-352	1/2-13 HEX NUT, ZP
8	2	2526-355	1/2" FLATWASHER ZP
9	1	2570-736	1/2 X 3 1/8 X 2 1/4 U-BOLT, ZP

**YETTER MANUFACTURING CO.**  
FOUNDED 1930

Colchester, IL 62326-0358  
Toll free: 800/447-5777  
309/776-3222 (Fax)  
Website: [www.yetterco.com](http://www.yetterco.com)  
E-mail: [info@yetterco.com](mailto:info@yetterco.com)

# Yetter