

KINZE SERIES II/2000/3000 DOUBLE FRAME PULL TYPE

4 Row Narrow / Wide, 6 Row Narrow, 6 Row Wide, 8 Row Narrow, and 8 Row Wide

Model No.'s to Order for each planter configuration

		Quantity to order for each planter				
		4R N/W	6 R N	6 R W	8 R N	8 R W
LIQUID FERT. COULTER	2995-065-L/R**** ^	2	3	3	4	4
FRAME MOUNTED	order 2990-157 & 3010-303 and choice of blade	2	3	3	4	4
DRY FERT. COULTER	2995-075-L/R**** ^	2	3	3	4	4
	order 2990-157 & 3010-303 and choice of blade	2	3	3	4	4
Unit Mounted Liquid Fertilizer Coulters	2959-003 (2" offset fert. injection) w/ 2967-180B (Residue manager for 2959-003) Optional or 2962-003A and 2962-004A RUMDDFO w/ 2962-005B (Residue Manager for 2962-003A/-004A Optional or 2968-021B-R-LB/-L-LB Row Unit mount & 2968-132 10" wheel assembly	4	6	6	8	8
2960 UNIT MOUNTED CONSERVATION COULTERS ONLY	2960-033 Coulters w/ U.N.T. bracket (Kinze) ** or 2960-127 (unit coulters only)**	4	6	6	8	8
CLEAN UP CREW ONLY	2940-005B Pneumatic assembly or 2967-013B Short / Narrow UNT or 2967-028A Universal unit mounted residue manager or 2967-029B Short UNT or 2967-052A Screw Adjust (1993 - current) or 2967-057A Screw Adjust (pre- 1993)	4	6	6	8	8
Combination Attachments	2967-006A AFloating Residue Manager fits Kinze Unit Mount Coulters or 2967-007A U.N.T. (use with 2960-033 coulters) or 2967-035A Titan Universal or 2967-115A (for use with 2960-127 coulters) 2967-070 (Quick adjust) Optional	4	6	6	8	8

** See the price book for blade choices.

*** 5" offset shanks are replacements for the straight shanks which are standard on the coulters.

Order the part # listed and restock the same quantity of part # 3010-303 (straight shank)

**** Remove Kinze 2.5" bar to mount on 5" x 7" bar

NOTE - IF PLANTER IS EQUIPPED WITH "PUSHER UNITS", NOTHING IS AVAILABLE.

NOTE - DOUBLE COULTER SETUPS REQUIRE ADDITIONAL REINFORCEMENT OF THE FERTILIZER BAR.

NOTE - DUE TO MANUFACTURING CHANGES IN PLANTER SOME ATTACHMENTS MAY NOT BE USED OR MODIFIED.

KINZE SERIES II/2000/3000 DOUBLE FRAME PULL TYPE

4 Row Narrow / Wide, 6 Row Narrow, 6 Row Wide, 8 Row Narrow, and 8 Row Wide

<i>Model No.'s to Order for each planter configuration</i>		<i>Quantity to order for each planter</i>				
		4R N/W	6 R N	6 R W	8 R N	8 R W
DOUBLE COULTERS	2995-065-L/R	4	6	6	8	8
2 LIQUID FERT. COULTERS	<i>order 2990-157 & 3010-303 and choice of blade</i>	4	6	6	8	8
	3011-302 (5" offset shank) Required	4	6	6	8	8
1 LIQUID / 1 DRY FERT. COULTERS	2995-075-L**** ^ <i>order 2990-157 & 3010-303</i>	4	6	6	8	8
	2995-065-R**** ^ <i>and choice of blade</i>	4	6	6	8	8
	3011-302 (5" offset shank) Required	4	6	6	8	8
	2995-065-L/R**** ^ <i>order 2990-157 & 3010-303 and choice of blade</i>	2 and 2	3 and 3	3 and 3	4 and 4	4 and 4
1 LIQUID FERTILIZER AND	2960-033 Coulters w/ U.N.T. bracket (Kinze)**					
	or 2960-127 (coulters only)** Choice of blade	4	6	6	8	8
1 COMBO UNIT	2967-006A Floating Residue Manager fits Kinze Unit Mount Coulters					
	or 2967-007A U.N.T. (use with 2960-033 coulters)					
	or 2967-035A Titan Universal	4	6	6	8	8
	or 2967-115A (for use with 2960-127 coulters)					

** See the price book for blade choices.

**** Remove Kinze 2.5" bar to mount on 5" x 7" bar

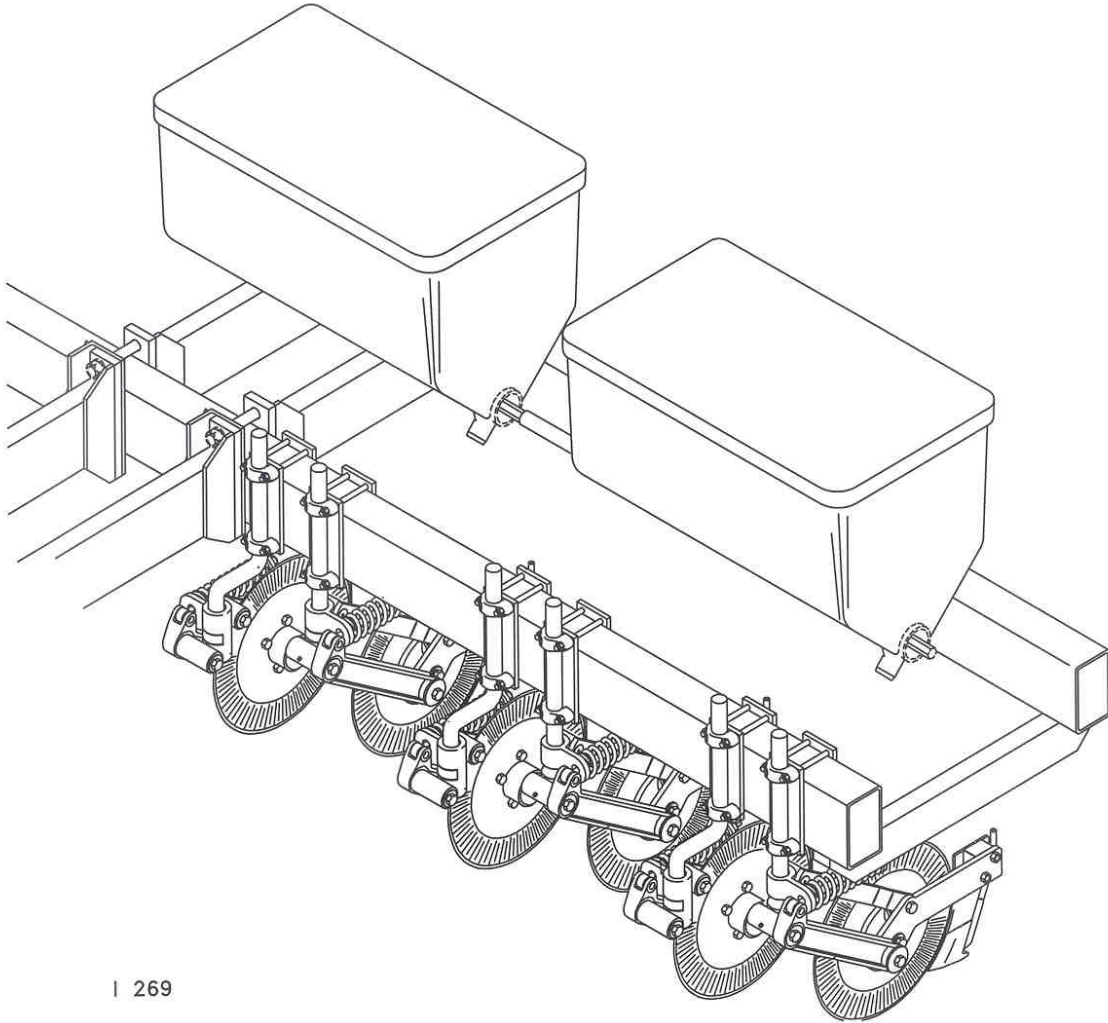
NOTE - IF PLANTER IS EQUIPPED WITH "PUSHER UNITS", NOTHING IS AVAILABLE.

NOTE - DOUBLE COULTER SETUPS REQUIRE ADDITIONAL REINFORCEMENT OF THE FERTILIZER BAR.

NOTE - DUE TO MANUFACTURING CHANGES IN PLANTER SOME ATTACHMENTS MAY NOT BE USED OR MODIFIED.

KINZE Series II/2000/3000 Double Frame Pull Type 4, 6, and 8 Row

Equipped with: 2995-065-L/R liquid fertilizer coulters
2990-157 Clamp kit 5x7 bar
3010-303 Straight coulters shank
3011-302 (5" offset shank)



I 269

(partial illustration of 6 row model shown)

Illustration may not accurately depict row spacing.

Note - For each row, one coulters requires a straight shank and one requires a 5" offset shank. Both coulters must be mounted a minimum distance of 2"-3" from either side of the row. Each shank mounts on the front of the bar with the 5" offset towards the front.

Note - For double coulters with other coulters combinations, the same configuration shown would apply.