

KINZE SERIES II/2000/3000 SINGLE FRAME PULL TYPE

Equipped with Kinze bolt on 2.5" fertilizer bar

4 Row Narrow / Wide, 6 Row Narrow, 6 Row Wide, 8 Row Narrow, and 8 Row Wide

Model No.'s to Order for each planter configuration

			<i>Quantity to order for each planter</i>				
			4R N/W	6 R N	6 R W	8 R N	8 R W
LIQUID FERT. COULTER FRAM MOUNTED	2995-017 <i>order 2990-154 & 2990-318 and choice of blade</i>	Choose	4 or	6 or	6 or	8 or	8 or
	or 2995-065-L/R^ <i>order 2990-154 & 2990-318 and choice of blade.</i>	either model	2 and 2	3 and 3	3 and 3	4 and 4	4 and 4
DRY FERT. COULTERS ONLY	2995-075-L/R^ <i>order 2990-154 & 2990-318 and choice of blade.</i>	Choose either model	2 and 2	3 and 3	3 and 3	N.A.	N.A.
	2975-142 (bar remount kit)	Required	1	1	1		
UNIT MOUNTED LIQUID FERT COULTERS	2959-003 (2" offset fert. injection)	Optional					
	w/ 2967-180B (Residue manager for 2959-003) or 2962-003A and 2962-004A RUMDDFO	Optional					
LIQUID FERT COULTERS	w/ 2962-005B (Residue Manager for 2962-003A) or 2968-021B-R-LB/-L-LB Row Unit mount & 2968-132 10" wheel assembly		4	6	6	8	8
2960 UNIT MOUNTED CONSERVATION COULTERS ONLY	2960-033 Coultter w/ U.N.T. bracket (Kinze) ** or 2960-127 (unit coultter only)**		4	6	6	8	8
CLEAN UP CREW/ COMBO ATTACHMENT ONLY	2940-005B Pneumatic assembly						
	or 2967-013B Short / Narrow UNT						
	or 2967-028A Universal unit mounted residue manager						
	or 2967-029B Short UNT						
	or 2967-052A Screw Adjust (1993 - current) or 2967-057A Screw Adjust (pre- 1993)		4	6	6	8	8
Combination Attachments	2967-006A Floating Residue Manager fits Kinze Unit Mount Coultter						
	or 2967-007A U.N.T. (use with 2960-033 coultter)						
	or 2967-035A Titan Universal		4	6	6	8	8
	or 2967-115A (for use with 2960-127 coultter)						
	2967-070 (Quick adjust)	Optional					

** See the price book for blade choices.

KINZE SERIES II/2000/3000 SINGLE FRAME PULL TYPE

Equipped with Kinze bolt on 2.5" fertilizer bar

4 Row Narrow / Wide, 6 Row Narrow, 6 Row Wide, 8 Row Narrow, and 8 Row Wide

<i>Model No.'s to Order for each planter configuration</i>		<i>Quantity to order for each planter</i>				
		4R N/W	6 R N	6 R W	8 R N	8 R W
<u>DOUBLE COULTERS</u>						
2 LIQUID FERT.	2995-065-L <i>order 2990-154 & 2990-318 and choice of blade</i> ^	4	6	6	8	8
COULTERS	2995-065-R <i>order 2990-154 & 2990-208 and choice of blade</i> ^	4	6	6	8	8
1 LIQUID / 1 DRY	2995-075-L/R^ <i>order 2990-154 & 2990-318 and choice of blade</i>	4	6	6	N.A.	N.A.
FERT. COULTERS	2995-065-L/R^ <i>order 2990-154 & 2990-208 and choice of blade</i>	4	6	6	N.A.	N.A.
	2975-142 (bar remount kit) Required	1	1	1	N.A.	N.A.
1 LIQUID FERTILIZER	2995-065-L/R^ <i>order 2990-154 & 2990-208 and choice of blade</i>	2 and 2	3 and 3	3 and 3	4 and 4	4 and 4
	2960-033 CLTR W/U.N.T. BRKT (KINZE) **					
AND	or 2960-127 (coulters only)** Choice of blade	4	6	6	8	8
1 COMBO UNIT	2975-188 (set back bracket) Required	4	6	6	8	8
	2967-006A Floating Residue Manager fits Kinze Unit Mount Coulters					
	or 2967-007A U.N.T. (use with 2960-033 coulters)					
	or 2967-035A Titan universal	4	6	6	8	8
	or 2967-115A (for use with 2960-127 coulters)					

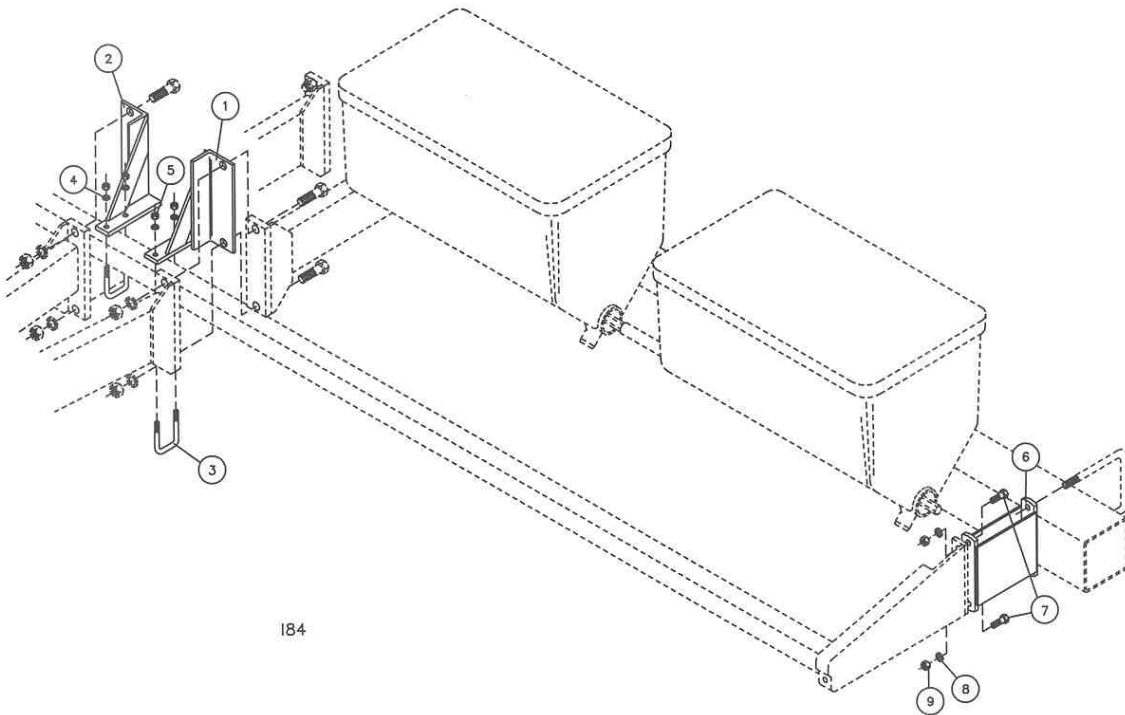
** See the price book for blade choices.

NOTE - DOUBLE COULTER SETUPS REQUIRE ADDITIONAL REINFORCEMENT OF THE FERTILIZER BAR.

NOTE - DUE TO MANUFACTURING CHANGES IN PLANTER SOME ATTACHMENTS MAY NOT BE USED OR MODIFIED.

KINZE Series II/2000/3000 Single Frame Pull Type 4, 6, and 8 Row

Equipped with: Kinze 2 1/2" fertilizer bar
2975-142 (fertilizer bar remount kit)
2995-075-L dry fertilizer coulters
2990-154 Clamp kit 2 1/2 sq bar
2990-318 16" shank
2995-065-R liquid fertilizer coulters
2990-154 Clamp kit 2 1/2 sq bar
2990-208 Off set shank 3"



(partial illustration of 6 row model shown)

Illustration may not accurately depict row spacing.

Note - For each row, one coulters requires a straight shank and one requires a 5" offset shank. Both coulters must be mounted a minimum distance of 2"-3" from either side of the row. Each shank mounts on the front of the fertilizer bar with the 5" offset towards the front.

Note - For double coulters with other coulters combinations, the same configuration shown would apply.

KINZE SERIES II/2000/3000 SINGLE FRAME PULL TYPE

4 Row Narrow / Wide, 6 Row Narrow, and 6 Row Wide

Model No.'s to Order for each planter configuration

		Quantity to order for each planter				
		4 R N/W	6 R N	6 R W	8 R N	8 R W
DRY FERT. COULTERS	NOT AVAILABLE					
Unit Mounted	2959-003 (2" offset fert. injection)					
Liquid Fertilizer Coulters	w/ 2967-180B (Residue manager for 2959-003) or 2962-003A and 2962-004A RUMDDFO w/ 2962-005B (Residue Manager for 2962-003A/-00 or 2968-021B-R-LB/-L-LB Row Unit mount & 2968-132 10" wheel assembly	Optional Optional				
		4	6	6	8	8
		4	6	6	8	8
2960 UNIT MOUNTED CONSERVATION COULTERS ONLY	2960-033 Coulters w/ U.N.T. bracket (Kinze)** or 2960-127 (unit coulters only)**					
		4	6	6	8	8
CLEAN UP CREW ONLY	2940-005B Pneumatic assembly or 2967-013B Short / Narrow UNT or 2967-028A Universal unit mounted residue manager or 2967-029B Short UNT or 2967-052A Screw Adjust (1993- current) or 2967-057A Screw Adjust (pre- 1993)					
		4	6	6	8	8
Combination Attachments	2967-006A Floating Residue Manager fits Kinze Unit Mount Coulters or 2967-007A U.N.T.(use with 2960-033 coulters) or 2967-035A Titan Universal or 2967-115A (for use with 2960-127 coulters) 2967-070 (Quick adjust)	Optional				
		4	6	6	8	8

** See the price book for blade choices.

**** If the Clean Up Crew and Fertilizer Coulters are used in conjunction, Fertilizer Coulters can only be mounted 4" or farther from the row

NOTE - DUE TO MANUFACTURING CHANGES IN PLANTER SOME ATTACHMENTS MAY NOT BE USED OR MODIFIED.