

JD 7000 FRONT FOLD DRAWN PLANTER

Equipped with John Deere 2.5" fert. Bar
Includes Flex Frame Models

Model No.'s to Order for each planter configuration

Quantity to order for each planter

		8 R W	12 R N	16 R N	
LIQUID FERT. COULTER FRAME MOUNTED	2995-017 order 2990-154 & 2990-310 and choice of blade or 2995-065-L/R^ order 2990-154 & 2990-310 and choice of blade Note: Reinforcing brackets are not required.	8 or 4 and 4	12 or 6 and 6	16 or 8 and 8	
DRY FERT. COULTER FRAME MOUNTED	2995-075-R^ order 2990-154 & 2990-208 and choice of blade	8	12	16	
Unit Mounted Liquid Fertilizer Coulters	2959-003 (2" offset fert. injection) w/ 2967-180B (Residue manager for 2959-003) or 2962-003A and 2962-004A RUMDDFO or 2968-021B-R-LB/-L-LB Row Unit mount fits 7000 & 7100 & 2968-132 10" wheel assembly	8	12	16	
2960 UNIT MOUNTED CONSERVATION COULTERS ONLY	2960-033 CLTR W/U.N.T. BRKT (JD 7000)** or 2960-127 (coulters only)** or 2960-126 (spring kit only)	Choice of blade	8	12	16
CLEAN UP CREW ONLY	2940-005B Pneumatic assembly or 2967-013B Short Narrow U.N.T. or 2967-028A Universal unit mounted residue manager or 2967-029B Short UNT	8	12	16	
COMBO ATTACHMENT	or 2967-056ANarrow Screw Adjust residue manager 2967-007A U.N.T. Residue Manager Kit or 2967-035A Titan Universal or 2967-115A (for use with 2960 coulters) 2967-070 (Quick adjust)	Optional	8	12	16

** See the price book for blade choices.

***This kit may be replaced by welding a short piece of a 2 1/2" sq. bar under the tongue along with 2975-175 (8 row) or 2975-176 (12 row) will be required - however Yetter is not responsible for any damage caused by doing so.

Also on Flex models center front bar must be cut in center.

***Fertilizer Coulters can only be mounted 3" or farther from the row.

Continued on page 8

JD 7000 FRONT FOLD DRAWN PLANTER

DOUBLE COULTERS

		8 and 8	12 and 12	16 and 16
2 LIQUID FERT. COULTER FRAME MOUNTED	NOT AVAILABLE	N.A.	N.A.	N.A.
1 LIQUID / 1 DRY FERT. COULTERS	NOT AVAILABLE	N.A.	N.A.	N.A.
1 NO-TILL / 1 FERT. COULTERS	NOT AVAILABLE	N.A.	N.A.	N.A.
2 NO-TILL COULTERS	NOT AVAILABLE	N.A.	N.A.	N.A.
1 LIQUID FERTILIZER AND 1 COMBO UNIT	2960-127 Unit coulter only** or 2960-033 CLTR W/U.N.T. BRKT (JD 7000)** 2967-007A U.N.T. Residue Manager Kit or 2967-115A (for use with 2960 coulter) or 2967-035A Titan Universal 2995-065-L/R order 2990-154 & 2990-208 and choice of blade 2975-188 (Set back bracket) Required	8 8 4 and 4 8	12 12 6 and 6 12	16 16 8 and 8 16
COMBO UNIT/ 1 JD FERT COULTER	2960-127 Unit coulter only** or 2960-033 CLTR W/U.N.T. BRKT (JD 7000)** 2967-007A U.N.T. Residue Manager Kit or 2967-115A (for use with 2960 coulter) or 2967-035A Titan Universal 2975-188(Set back bracket) Required	8 8	12 12	16 16

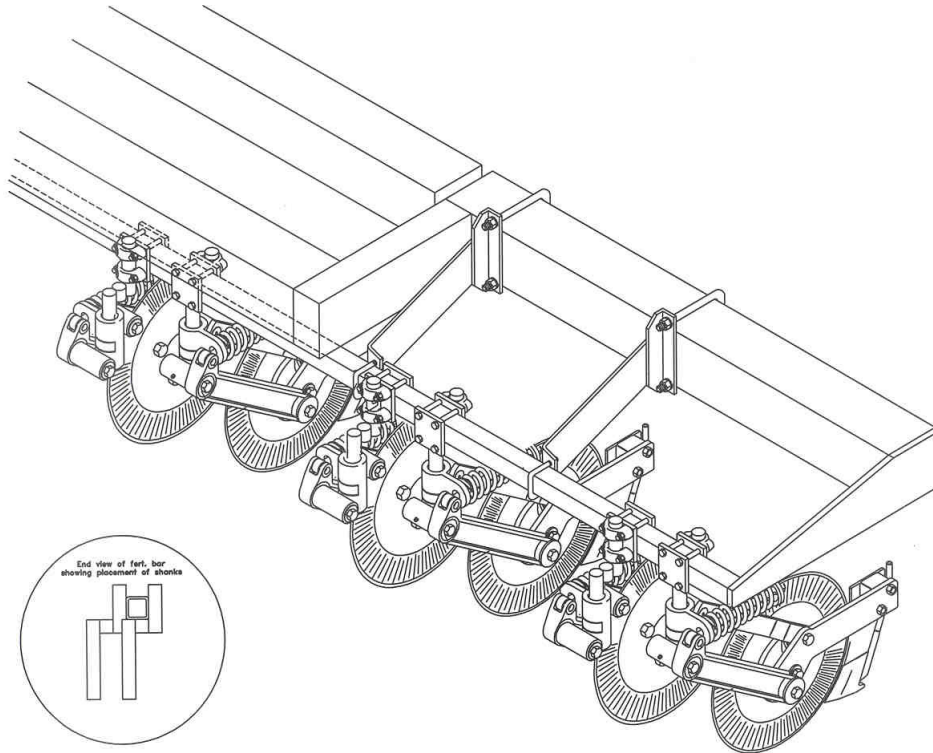
** See the price book for blade choices.

***Fertilizer Coulters can only be mounted 3" or farther from the row.

JOHN DEERE 7000 Front Fold Planter

8, 12 and 16 row

Equipped with: John Deere 2 1/2" fert. bar
2995-065-L/R assembly
2990-154 Clamp kit 2 1/2 sq. bar
2990-208 3" Offset shank



257

(partial illustration of 8 row model shown)

Illustration may not accurately depict row spacing.

Note - The two coulters for each row require 3" offset shanks and must be mounted a minimum distance of 2"-3" from either side of the row. One shank mounts on the front of the bar and one mounts on the back of the bar with both being offset toward the front.

Note - For double coulters with other coulter combinations, the same configuration shown would apply.