

JD 1750 & 1755 STANDARD PLANTER
JD 7000 CONSERVATION & CONVENTIONAL DRAWN PLANTER
JD 7200 STANDARD PLANTER

Equipped with John Deere 2.5" fert. bar and no other options.

Model No.'s to Order for each planter configuration

		Quantity to order for each planter						
		4 R N	4 R W	6 R N	6 R W	8 R N	8 R W	12 R N
LIQUID FERT. COULTER FRAME MOUNTED	2995-065-L/R <i>order 2990-154 & 2990-318 and choice of blade</i> 2995-065-LIHD/RIHD same as above	2 & 2	2 & 2	3 & 3	3 & 3	4 & 4	4 & 4	6 & 6
	DRY FERT. COULTER FRAME MOUNT							
	2995-075-L/R <i>order 2990-154 & 2990-318 and choice of blade</i> 2970-135 (76" front bar mount kit) Required	2 & 2	2 & 2	3 & 3	N.A.	N.A.	4 & 4	6 & 6
		1	1	1	N.A.	N.A.	2	2
Unit Mounted Liquid Fertilizer Coulters	2959-003 (2" offset fert. injection)							
	w/ 2967-180B Residue Manager for 2959-003 Optional or 2962-003A and 2962-004A RUMDDFO w/ 2962-005B (Residue Manager for 2962-003A/-004A) Optional or 2968-020B-R-LB/-L-LB Row Unit mount fits 1700, 7200 & 7300 or 2968-021B-R-LB/-L-LB Row Unit mount fits 7000 & 7100 & 2968-132 10" wheel assembly	4	4	6	6	8	8	12
2960 UNIT MOUNTED CONSERVATION COULTERS ONLY	2960-033 Coulters w/ U.N.T. bracket (JD 7000)** or 2960-034 Coulters w/ U.N.T. bracket (JD 7200 and newer)** or 2960-127 (coulters only)** 2960-126 (spring kit only)	4	4	6	6	8	8	12
CLEAN UP CREW ONLY	2940-001B Pneumatic assembly (1700 & 7200) or 2940-005B Pneumatic assembly (7000) or 2967-013B Short Narrow U.N.T. or 2967-028A Universal unit mounted residue manager or 2967-029B Short U.N.T.							
	or 2967-052A Screw adjust residue manager (JD 7200 and newer) or 2967-057A Narrow row screw adjust residue manager (JD 7000) or 2967-081A R.M. attachment for JD tool hanger (7200 & newer)	4	4	6	6	8	8	12
Combo Attachment	2967-007A U.N.T. residue manager kit or 2967-035A Titan universal or 2967-042B Titan Residue Manager for JD Coulters (7200 & newer) or 2967-115A R.M. for use with 2960-015 coulters 2967-070 (Quick adjust kit) Optional	4	4	6	6	8	8	12

** Blade Choices refer to price book.

JD 7000 CONSERVATION & CONVENTIONAL DRAWN PLANTER JD 1750, 1755 & 7200 STANDARD PLANTER

Equipped with John Deere 2.5" fert. bar

Equipped with John Deere 2.5" fert. bar and no other options.

Model No.'s to Order for each planter configuration

		Quantity to order for each planter						
		4 R N	4 R W	6 R N	6 R W	8 R N	8 R W	12 R N
Double Coulters								
2 LIQUID FERTILIZER COULTERS	2995-065-L/R ^ <i>order 2990-154 & 2990-318 and choice of blade</i>	4 and 4	4 and 4	6 and 6	N.A.	N.A.	8 and 8	N.A.
	2970-135 (76" front bar mount kit) Required	1	1	1	N.A.	N.A.	2	N.A.
1 DRY/ 1 LIQUID FERTILIZER COULTERS	2995-075-L^ <i>order 2990-154 & 2990-318 and choice of blade.</i>	4	4	6	N.A.	N.A.	2	N.A.
	2995-065-R^ <i>order 2990-154 & 2990-318 and choice of blade.</i>	4	4	6	N.A.	N.A.	8	N.A.
	3011-302 (5" offset shank)**** Required****				N.A.	N.A.	2	N.A.
	2970-135 (76" front bar mount kit) Required	1	1	1	N.A.	N.A.	2	N.A.
	2960-127 Unit Coulters **	4	4	6	N.A.	N.A.	8	12
	or 2960-033 Coulters w/ U.N.T. bracket (JD 7000)**							
	or 2960-034 Coulters w/ U.N.T. bracket (JD 7200 and newer) **							
1 PLANTER UNIT MOUNTED COULTER AND 1 LIQUID/DRY FERT.	2995-065-L/R^ <i>order 2990-154 & 2990-318 and choice of blade</i>	2 and 2	2 and 2	3 and 3	N.A.	N.A.	4 and 4	6 and 6
	or 2995-075-L/R Dry^ <i>order 2990-154 & 2990-318 and choice of blade</i>	2 and 2	2 and 2	3 and 3	N.A.	N.A.	4 and 4	6 and 6
	2970-135 (76" front bar mount kit) Required	1	1	1	N.A.	N.A.	2	2
	2960-127 Unit Coulters **							
	or 2960-033 Coulters w/ U.N.T. bracket (JD 7000)**							
	or 2960-034 Coulters w/ U.N.T. bracket (JD 7200 and newer)**							
1 COMBO UNIT MOUNTED AND 1 LIQUID FERT.	2967-007A U.N.T. residue manager kit							
	or 2967-035A Titan universal							
	or 2967-042B Titan Residue Manager for JD Coulters (7200 & newer)	4	4	6	N.A.	N.A.	8	12
	or 2967-115A R.M. for use with 2960-015 coulters							
	2995-065-L/R^ <i>order 2990-154 & 2990-318 plus blade</i>	2 and 2	2 and 2	3 and 3	N.A.	N.A.	4 and 4	6 and 6
	2970-135 (76" front bar mount kit)	1	1	1	N.A.	N.A.	2	2

** See the price book for blade choices.

JD 7000 CONSERVATION & CONVENTIONAL DRAWN PLANTER JD 1750, 1755 & 7200 STANDARD PLANTER

Equipped with John Deere 2.5" fert. bar

Model No.'s to Order for each planter configuration		Quantity to order for each planter						
		4 R N	4 R W	6 R N	6 R W	8 R N	8 R W	12 R N
1 COMBO UNIT MOUNTED AND 1 JD LIQ. FERT.	2967-007A U.N.T. residue manager kit or 2967-035A Titan universal or 2967-042B Titan Residue Manager for JD Coulters (7200 & newer)							
	2967-115A R.M. for use with 2960-015 coulters 2970-135 (76" front bar mount kit)	4	4	6	N.A.	N.A.	8	12
	Required	1	1	1	N.A.	N.A.	2	2
1 COMBO UNIT MOUNTED AND 1 JD DRY FERT.	2960-127 Unit Coulters ** or 2960-033 Coulters w/ U.N.T. bracket (JD 7000)** or 2960-034 Coulters w/ U.N.T. bracket (JD 7200 and newer)**							
	2967-007A U.N.T. residue manager kit or 2967-035A Titan universal or 2967-042B Titan Residue Manager for JD Coulters (7200 & newer)	4	4	6	6	8	8	12
	2967-115A R.M. for use with 2960-015 coulters 2975-188 (set back for JD 7000) 2975-189 (set back for JD 1700 & 7200)	4	4	6	6	8	8	12
	Required	4	4	6	6	8	8	12
	Required	4	4	6	6	8	8	12

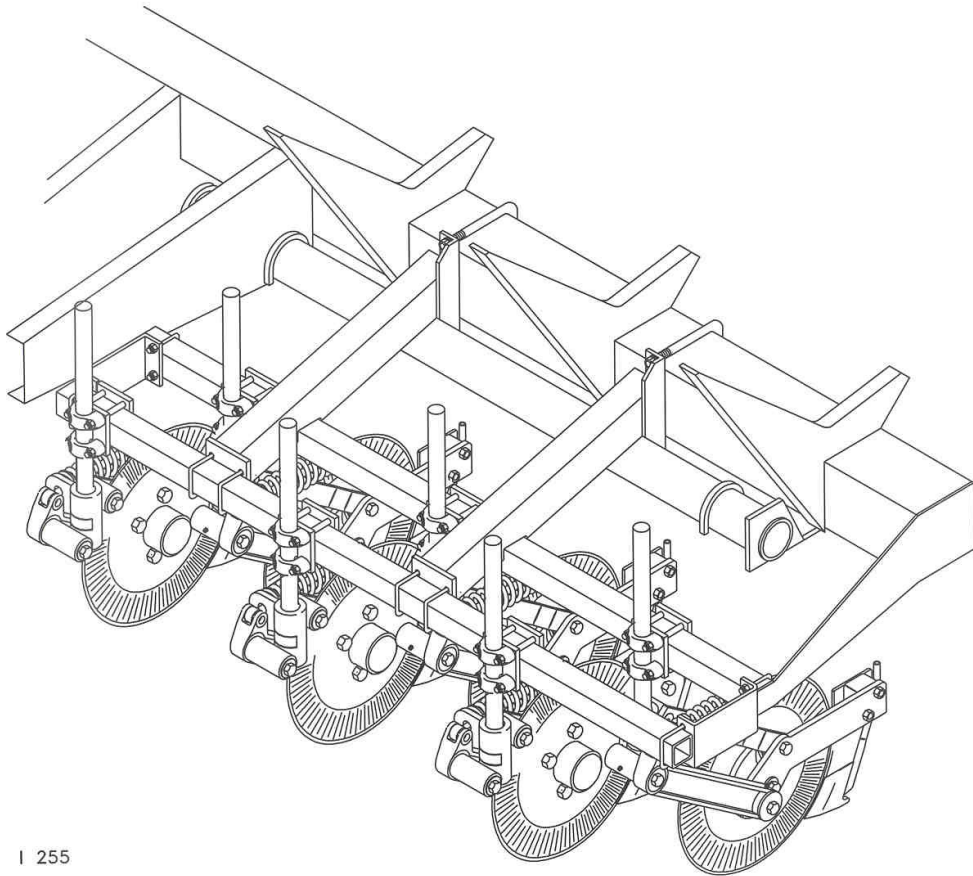
** See the price book for blade choices.

*** If Frame Mounted Coulters and Fertilizer Coulters are mounted together on the JD 2 1/2" fert. bar and the frame mounted coulters are in the center of the row, Fertilizer coulters can only be mounted 4" or farther from the row.

NOTE - YETTER UNIT MOUNTED ATTACHMENTS ARE NOT AVAILABLE ON PLANTERS EQUIPPED WITH JD FRAME MOUNTED HEAVY DUTY COULTERS - sufficient clearance is not possible.

JOHN DEERE 7000 Drawn Planter
JOHN DEERE 1750/7200 Standard Planter
4 Row thru 12 Narrow (30")

Equipped with: 2970-135 -- 4 N/W & 6 N (front bar kit)
2995-065-L/R liquid fert coulters
2990-154 Clamp kit 2 ½ sq bar
2990-318 16" shank



I 255

(Partial illustration of 6 row model shown)

Illustration may not accurately depict row spacing.

Note - The two coulters for each row require straight shanks and must be mounted a minimum distance of 2"-3" from either side of the row. Each shank mounts on the front of the bar.

Note - For double coulters with other coulters combinations, the same configuration shown would apply.

JD 7000 CONSERVATION & CONVENTIONAL DRAWN PLANTER JD 1750, 1755 & 7200 STANDARD PLANTER

Equipped with JD 2.5" fert. bar and JD Frame Mounted Heavy Duty Coulters

Model No.'s to Order for each planter configuration

		Quantity to order for each planter							
		4 R N	4 R W	6 R N	6 R W	8 R N	8 R W	12 R N	
LIQUID FERT. COULTER FRAME MOUNTED	2995-065-L/R <i>order 2990-154 & 2990-318 and choice of blade</i>	2 and 2	2 and 2	3 and 3	N.A.	N.A.	4 and 4	6 and 6	
	2970-135 (76" front bar mount kit) Required	1	1	1	N.A.	N.A.	2	2	
DRY FERT. COULTER FRAME MOUNTED	2995-075-L/R <i>order 2990-154 & 2990-318 and choice of blade</i>	Choose either	2 and 2	2 and 2	3 and 3	N.A.	N.A.	4 and 4	6 and 6
	2970-135 (76" front bar mount kit) Required	1	1	1	N.A.	N.A.	2	2	
DOUBLE COULTERS	2995-065-L	4	4	6	N.A.	N.A.	8	12	
	2995-065-R	4	4	6	N.A.	N.A.	8	12	
2 LIQUID FERT. COULTERS	<i>order 2990-154 & 2990-208 and choice of blade</i>								
	2970-135 (76" front bar mount kit) Required	1	1	1	N.A.	N.A.	2	2	
1 DRY / 1 LIQUID FERT. COULTERS	2995-075-L^ <i>order 2990-154 & 2990-208 and choice of blade</i>	4	4	6	N.A.	N.A.	8	12	
	2995-065-R^ <i>order 2990-154 & 2990-208 and choice of blade</i>	4	4	6	N.A.	N.A.	8	12	
	2970-135 (76" front bar mount kit) Required	1	1	1	N.A.	N.A.	2	2	

** See the price book for blade choices.

NOTE - YETTER UNIT MOUNTED ATTACHMENTS ARE NOT AVAILABLE ON PLANTERS EQUIPPED WITH JD FRAME MOUNTED HEAVY DUTY COULTERS - sufficient clearance is not possible.