



## 6150 SERIES MARKERS

# OPERATOR & SET-UP MANUAL

2565-376\_REV\_F

11/2016



**YETTER MANUFACTURING CO.**  
*FOUNDED 1930*

Colchester, IL 62326-0358  
Toll free: 800/447-5777  
309/776-3222 (Fax)

Website: [www.yetterco.com](http://www.yetterco.com)  
E-mail: [info@yetterco.com](mailto:info@yetterco.com)

**YETTER**

## FOREWORD

You've just joined an exclusive but rapidly growing club.

For our part, we want to welcome you to the group and thank you for buying a Yetter product.

We hope your new Yetter products will help you achieve both goals-increase your productivity and increase your efficiency so that you may generate more profit.

This operator's manual has been designed into four major sections: Foreword, Safety Precautions, Installation Instructions and Parts Breakdown.



This **SAFETY ALERT SYMBOL** indicates important safety messages in the manual. When you see this symbol, be alert to the possibility of **PERSONAL INJURY** and carefully read the message that follows.

The word **NOTE** is used to convey information that is out of context with the manual text. It contains special information such as specifications, techniques and reference information of a supplementary nature.

The word **IMPORTANT** is used in the text when immediate damage will occur to the machine due to improper technique or operation. Important will

apply to the same information as specified by note only of an immediate and urgent nature.

It is the responsibility of the user to read the operator's manual and comply with the safe and correct operating procedure and to lubricate and maintain the product according to the maintenance schedule in the operator's manual.

The user is responsible for inspecting his machine and for having parts repaired or replaced when continued use of the product would cause damage or excessive wear to the other parts.

It is the user's responsibility to deliver his machine to the Yetter dealer who sold him the product for service or replacement of defective parts, which are covered by the warranty policy.

If you are unable to understand or follow the instructions provided in this publication, consult your local Yetter dealer or contact:

### **YETTER MANUFACTURING CO.**

309/776-4111

800/447-5777

309/776-3222 (FAX)

Website: [www.yetterco.com](http://www.yetterco.com)

E-mail: [info@yetterco.com](mailto:info@yetterco.com)

## WARRANTY

Yetter Manufacturing warrants all products manufactured and sold by it against defects in material. This warranty being expressly limited to replacement at the factory of such parts or products as shall appear to be defective after inspection. This warranty does not obligate the Company to bear cost of labor in replacement of parts. It is the policy of the Company to make improvements without incurring obligations to add them to any unit already sold. No warranty is made or authorized to be made, other than herein set forth. This warranty is in effect for one year after purchase.

Dealer \_\_\_\_\_

**Yetter Manufacturing warrants its own products only and cannot be responsible for damages to equipment on which mounted.**

## **SAFETY**

**A brief description of signal words that may be used in this manual:**

**CAUTION:** Used as a general reminder of good safety practices or to direct attention to unsafe practices.

**WARNING:** Denotes a specific potential hazard.

**DANGER:** Denotes the most serious specific potential hazard.



### **SAFETY PRECAUTIONS**

You can make your farm a safer place to live and work if you observe the safety precautions given. Study these precautions carefully and insist that those working with you and for you follow them.

Finally, remember this: someone's carelessness, neglect or oversight usually causes an accident.



### **WARNING**

Never clean, lubricate or adjust a machine that is in motion. Always lower or block the implement before performing service

If machine must be serviced in the raised position, jack or block it up to prevent it from accidentally falling and injuring someone.

Check clearance of markers from tractor cab or operator when not equipped with cab.

Do not allow riders on the tractor or implement.

Use speeds and caution dictated by the terrain being traversed. Do not operate on any slope steep enough to cause tipping or loss of control.

Read and understand the operator's manual and require all other persons who will operate the equipment to do the same.

Be familiar with all tractor and implement controls and be prepared to stop engine and implements quickly in an emergency.

Consult your implement and tractor operator's manual for correct and safe operating practices.

Beware of towed implement width and allow safe clearance.

**FAILURE TO HEED MAY RESULT IN PERSONAL INJURY OR DEATH.**

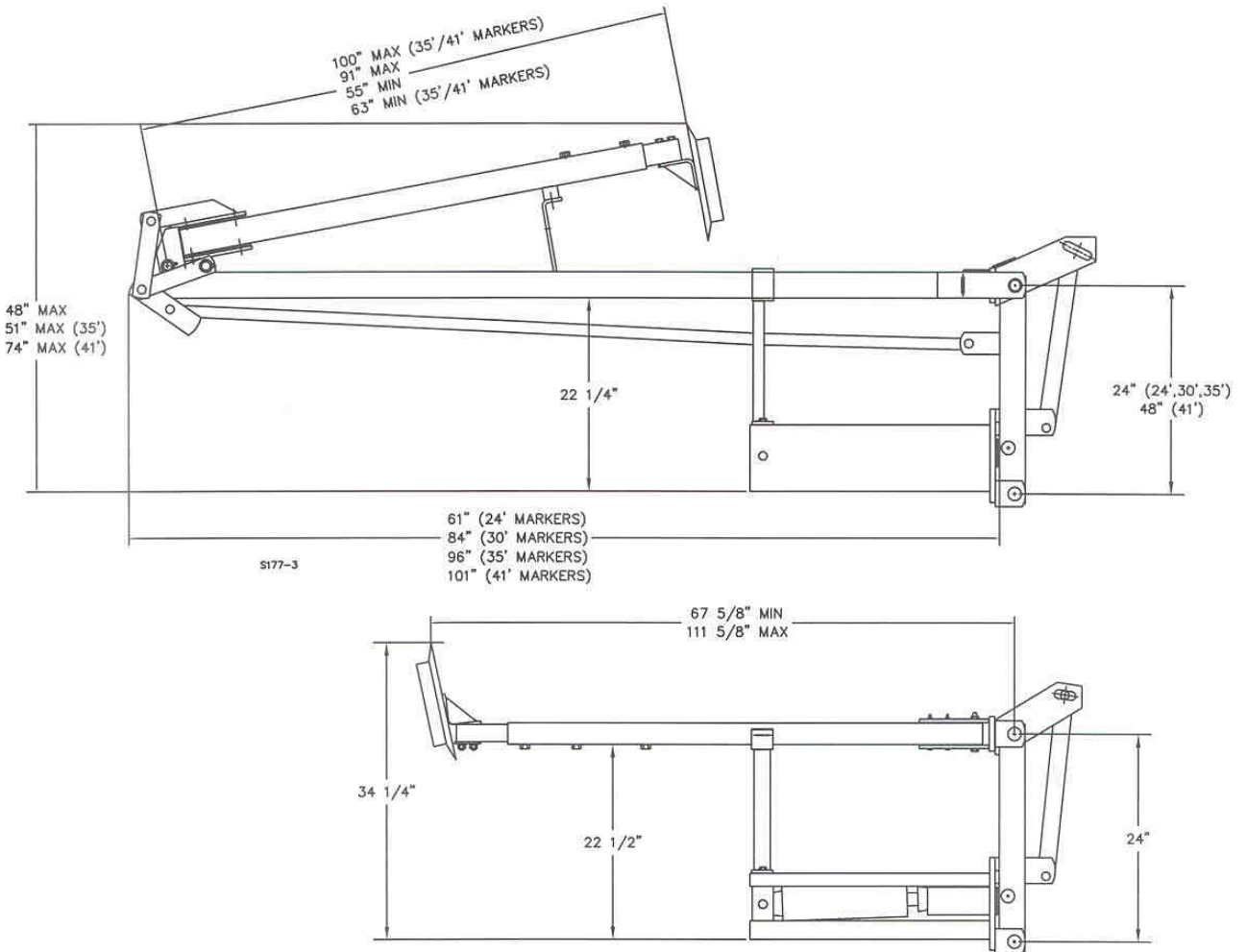
## MARKER APPLICATION CHART

Yetter Part No.	Description	Marker Reach
6150-115	Bi-Fold Marker, 15-20 ft. for 15-20 ft. Drills, 4rN & 6rN Planters etc.	87"-132"
6150-124	Tri-Fold Marker, 24 ft. for 24 ft. Drills	141"-171"
6150-130	Tri-Fold Marker, 30 ft. for 30 ft. Drills, 8rW & 12rN Planters etc.	163"-193"
6150-135	Tri-Fold Marker, 35 ft. for 35 ft. Implements	193"-223"

### MOUNTING KITS

PAGE		PAGE	
16.	6001-016 JD 1520	25,26.	6001-191 JD 515 & 520
17.	6001-018 JD 455	27.	6001-195 IH 5200 & 5400
18.	6001-022 Tye Series V	28.	6001-198 JD 750/1560/1590, 30 ft.
19.	6001-026 7x7 Cultivator	29.	6100-108 GP 1500 & 2000 Series
20.	6001-028 JD 750/1560/1590, Bi-Fold	30.	6100-110 Planter
21.	6001-031 JD 1850/1860/1890 w/o CCS	31.	6150-090 MARKER MOUNT KIT
22.	6001-033 7x7/8x8 BAR	32.	6150-091 White 6000/8000
23.	6001-042 IH 5500	33.	6150-101 DMI 4x6
24.	6001-118 M & W, Marliss & Tye	34.	6150-162 J.D. 1690/1890
	6001-120 Great Plains (Won't fit GP 3 sect. 30')	35.	6150-165 6" Extension Kit
		36.	Extension Kits 6001-179, 6001-199

Various u-bolts and brackets are available for row crop planter applications.



## GENERAL INFORMATION

Yetter Drill Markers were designed to operate on grain drills and planters from 14 feet to 35 feet wide. For non-folding grain drills from 14 to 22 feet wide, bi-fold markers are used.

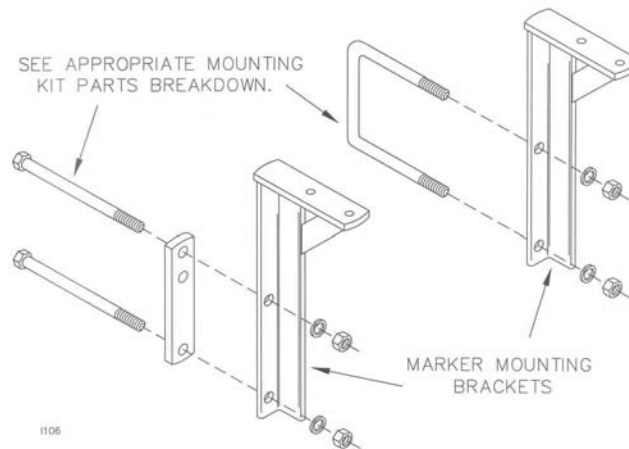
All Yetter Markers are hydraulically actuated. A sequence valve is provided to alternate automatically from left to right marker. After each raise cycle the valve switches hydraulic oil flow to the opposite marker.

Yetter markers were designed for hydraulic systems providing up to 2500 psi hydraulic pressure. For hydraulic systems that have variable flow control, this control may be used to adjust marker speed. It may be necessary to provide restrictors in the lines to reduce marker speed with some tractors.

## MOUNTING KIT INSTALLATION

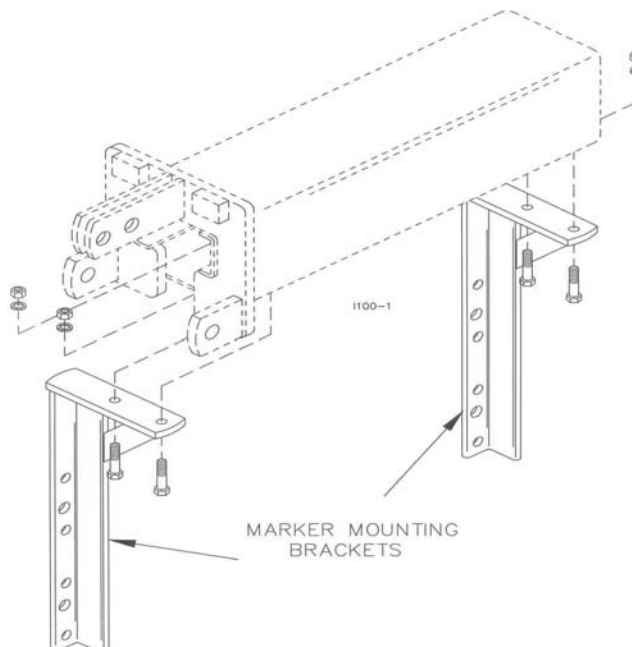
On Great Plains, M & W, Marlist, Tye, IH5200/5400 and JD 750/1560, assemble mounting brackets to front of drill frame as shown using hardware provided in the mounting kit for your particular type of drill. **See appropriate drawing and parts list.**

## MARKER INSTALLATION



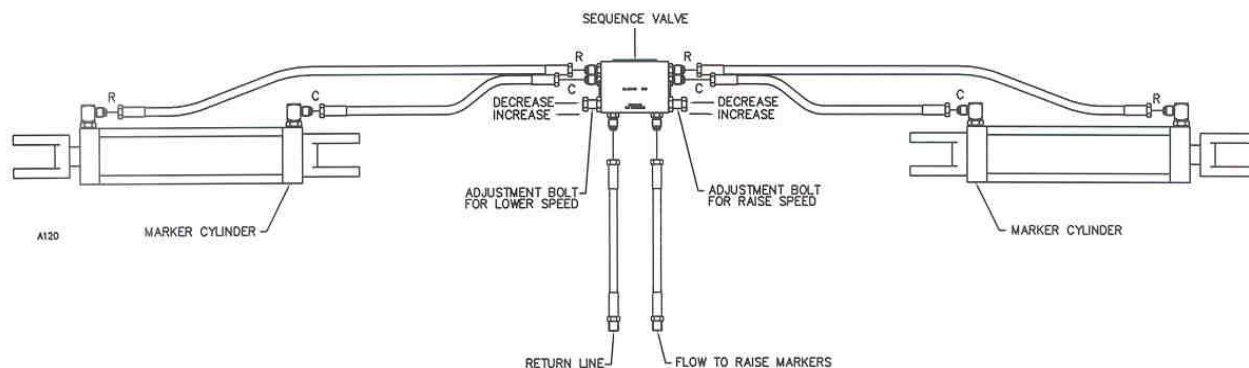
Mount marker base to mounting brackets using 1/2 x 1-3/4" cap screws, lock washers and nuts. Two sets of holes are provided in the marker base toward the outer end of the drill. Use the hole set that allows clearance of obstruction on the frame for your particular implement.

NOTE: If drill is equipped with a grass seeder attachment, it may be necessary to install a marker extension kit.



# INSTALLATION

## HYDRAULIC SET-UP FOR MARKERS



## HYDRAULIC INSTALLATION

### HYDRAULIC HOOK UP

**! DANGER:** Inspect and replace worn or frayed hydraulic hose. Keep all connections tight, escaping hydraulic fluid under pressure can have sufficient force to penetrate the skin and cause serious injury. Fluid escaping from a small hole can almost be invisible. Use a piece of cardboard or wood rather than hands to search for suspected leaks. Failure to heed may result in personal injury or death.

**! WARNING:** Lower the cart to the ground, and remove any pressure in the lines before opening the hydraulic lines to install the marker hoses.

1. Connect the port on the front of the sequence valve marked "LOWER" to the tractor or the return side of the drill lift system. If the markers are to lower with a Yetter Coulter Cart, connect this LOWER port to the return side of the cart hydraulic system. This is the bottom port of the right-hand (slave) cart cylinder.

2. **IMPORTANT** – Be VERY careful when first actuating markers with hydraulic pressure. Cycle hydraulics several times only slightly lifting marker off stops. Apply pressure for several seconds in raise position to purge air from hydraulic cylinders. After several cycles, the marker should be completely lowered. When lowering the first time proceed VERY slowly.

**NOTE:** Air left in the system will compress when pressurized, this may cause erratic and violent damaging motion of the marker arms.

3. Measure the time required for each marker to fold and unfold. If the markers are operating too fast, they must be slowed down to provide adequate life. Bi-fold markers should take more than 4 seconds to fold and more than 4 seconds to unfold. Tri-fold markers should take more than 8 seconds to fold and more than 8 seconds to unfold.

4. Some tractors have a provision to control remote cylinder speed with an adjustment near the remote cylinder ports. If the markers are actuated with a separate tractor valve this adjustment is available.

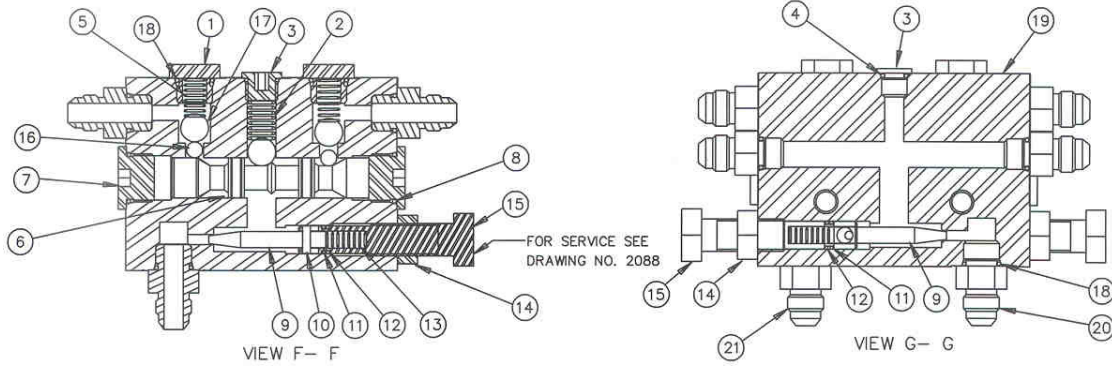
5. Restricted fittings are provided in all tri-fold markers to prevent damage from folding and unfolding too fast. If markers are too slow drill out the restrictor fitting using a 1/16" drill bit.

6. Adjustable restrictors are also provided in the sequence valve. These are adjusted with the bolts and jam nuts on each side of the sequence valve. Adjustments of the raise speed are made with the bolt on the left side of the valve with "RAISE" stamped vertically above it. Adjustments of the lowering speed are made with the bolt on the right side of the valve with "LOWER" stamped vertically beneath it.

7. Adjustments are made with these bolts by screwing them clockwise into the valve to reduce operating speed or by screwing them counterclockwise to increase operating speed. Adjustments should be made in small increments, 1/6 of turn or less at a time, being sure to retighten the jam nut.

**! WARNING:** On drills and planters with switch operated hydraulic valves, a new switch operated hydraulic valve should be installed to operate the markers. If the markers are plumbed with an existing switch operated valve they may extend or retract unexpectedly when you press the switch, resulting in damage to equipment or property or possible injury to yourself or others in the vicinity.

# SERVICE MARKER SEQUENCE VALVE



ITEM	QTY.	PART NUMBER	DESCRIPTION	ITEM	QTY.	PART NUMBER	DESCRIPTION	
1	2	1430	PLUG, HEX. HEAD	11	2	1100-011	O-RING	
2	1	1099	SPRING, DETENT	10	2	1217	PIN, SPRING - Ø.125	
3	2	1132-05	PLUG, SAE O-RING- HEX.SOCKET	11	2	1100-011	O-RING	
4	2	1402-905	O-RING	12	2	1089-011	BACK-UP RING	
5	2	1042	SPRING	13	2	1211	SPRING, COMPRESSION	
6	1	SELECT SPOOL FOR PROPER SPEED		14	2	1218	NUT, HEX.JAM, ZN-YEL. PLT'D.	
		SPOOL NO.	ORIFICE	ASSEMBLY NO.	15	2	1180	SCREW, ADJ. FLOW CONTROL
		5027	.047	4129-047	16	2	1087-250	BALL, CHROMIUM STEEL
		2153	.055	4129-055	17	3	1087-.437	BALL, CHROMIUM STEEL
		2136	.062	4129-062	18	8	1402-906	O-RING
		2154	.076	4129-076	19	1	3161	BODY, SEQUENCE VALVE
7	2	1132-08	PLUG,SAE O-RING-HEX.SOCKET	20	6	1092-06	FITTING, STRAIGHT CONN.	
8	2	1402-908	O-RING	21	6	1219-06	CAP,VINYL-FOR STORE AND SHIP	
9	2	1179	NEEDLE, FLOW CONTROL	22	0	2088	ASM, NEEDLE	
10	2	1217	PIN, SPRING - Ø.125	23	0	1223	KIT, SEAL	

## SERVICE REPAIR KIT – 2515-349

### DISASSEMBLY and ASSEMBLY

If markers do not sequence, clean dirt from valve spool bore (6). If markers tend to creep downward, check for dirt, nicks/scratches in ball check valve areas (16).

Note: Be sure the hoses are connected to the correct ports before disassembling the valve for cleaning or repair. (See schematics.)

#### Disassembly:

1. Remove hex head plugs (1), springs (2), and steel balls (16 & 17).
2. Remove plug (3), spring (2), steel ball (17).
3. Remove plugs (7) from each end of body.

Important! Be sure plugs, springs and balls (Step 1 and 2) are removed before attempting to remove spool.

4. Carefully remove spool (6) from valve body.
5. Remove flow restrictor assembly (15) from valve body.

#### Inspection:

1. Clean spool and restrictors in solvent.  
Note: Restrictor disassembly is not required for cleaning.
2. Clean valve body after checking exterior for signs of o-ring leakage.
3. If spool is nicked or scratched, remove with crocus cloth. Spool must slide freely in bore.
1. If ball seats are nicked or scratched, install larger ball against seat, tap ball with brass rod to "seat" ball.

Note: Remove spool for this procedure.

2. Inspect o-rings. Replace if necessary.

#### Assembly:

1. Apply clean hydraulic fluid to threads, o-rings, spool, valve bore. Reassemble in reverse order of disassembly.
2. Open restrictors one turn minimum.
3. Install valve on planter and readjust marker operating speed with restrictors.

### Marker Operation

Markers fail to sequence

Valve spool stuck in sequence valve

Disassemble valve and clean spool

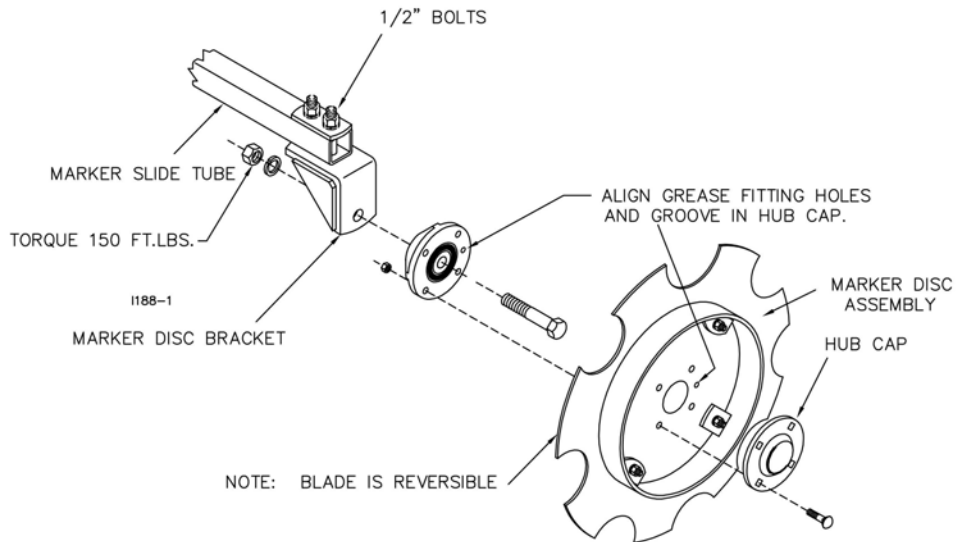
Raised marker slowly lowers

Check ball not seated in

Disassemble valve and re-seat ball

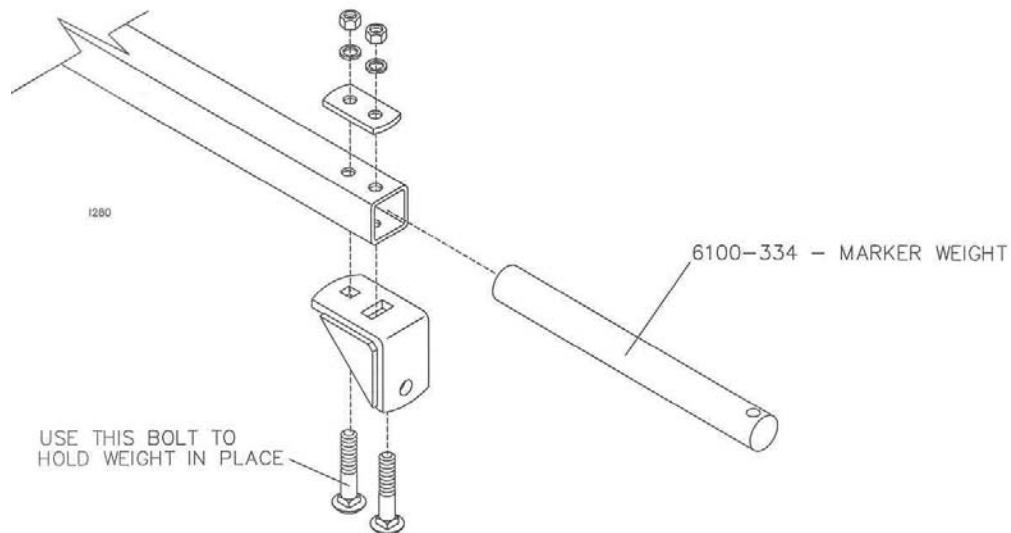
## MARKER DISC ASSEMBLY

1. Assemble the marker disc assembly to the hub and bearing assembly, using a 5/16 x 1-1/4" carriage bolts and locknuts then tighten.
2. Assemble hub and bearing assembly to the marker disc bracket using D-Bolt, 5/8" nut and lock washer then tighten. Torque 150 ft./lbs.
3. Loosen the two 1/2" bolts on the outer end of the marker slide tube and adjust the marker disc brackets to desired angle and retighten.
4. Fill hub and bearing assembly with general-purpose grease.



REVISED 02/01/12

## OPTIONAL 6100-334 – MARKER WEIGHT

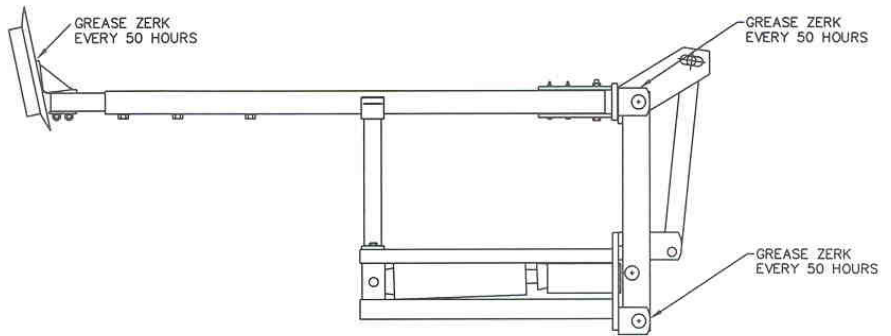
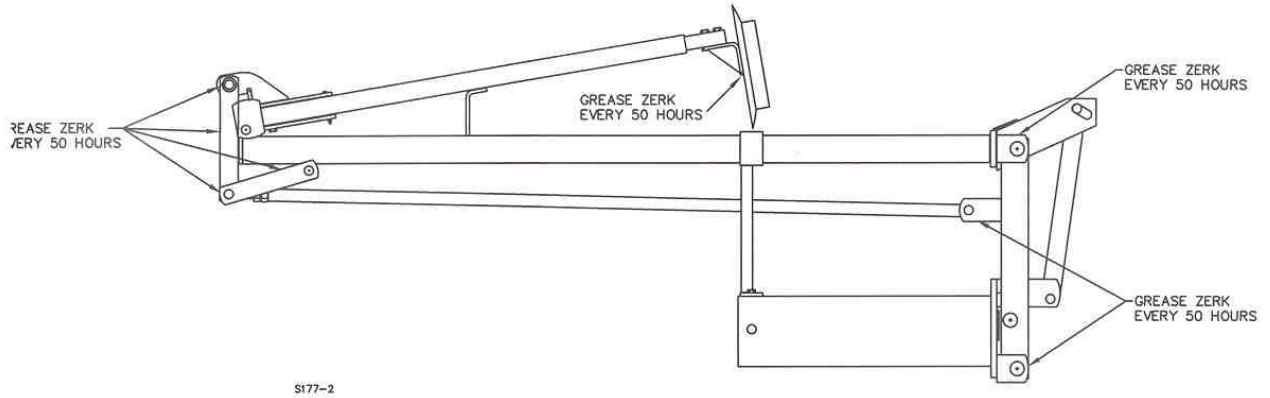




# MAINTENANCE

## MARKER

There are three grease zerks on the bi-fold marker and eight grease zerks on the tri-fold marker. (See drawing). Grease every 50 hours. Grease the hub on each marker disc assembly every 50 hours.



# MAINTENANCE

## BEARING ASSEMBLY AND LUBRICATION

### Practice Safety

Understand and practice safe service procedures before doing work. Follow ALL the operating, maintenance and safety information in the equipment operator manual. Clear the area of bystanders, especially small children, when performing any maintenance or adjustments. Keep work area clean and dry. Use adequate lighting for the job. Use only tools, jacks and hoists of sufficient capacity for the job.

Never lubricate, service, or adjust machine while it is moving. Keep hands, feet, and clothing from power-driven moving and rotating parts. Disengage all power and operate controls to relieve pressure. Lower equipment to the ground and stop the engine. Remove the key. Wait for all moving parts to stop before servicing, adjusting, repairing or unplugging.

Securely support any machine elements with blocks or safety stands that must be raised for service work.

Keep all parts in good condition and properly installed. Fix damaged equipment immediately. Replace worn or broken parts. Remove any buildup of grease, oil, or debris.

Make sure all guards are in place and properly secured when maintenance work is completed.

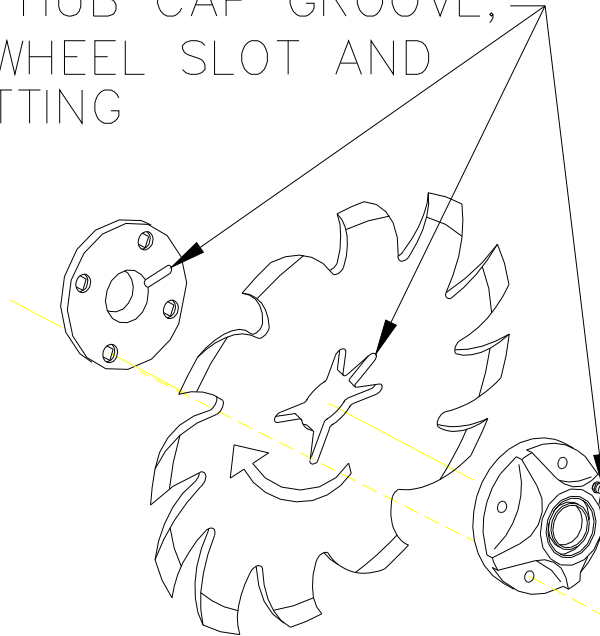
### Assembly



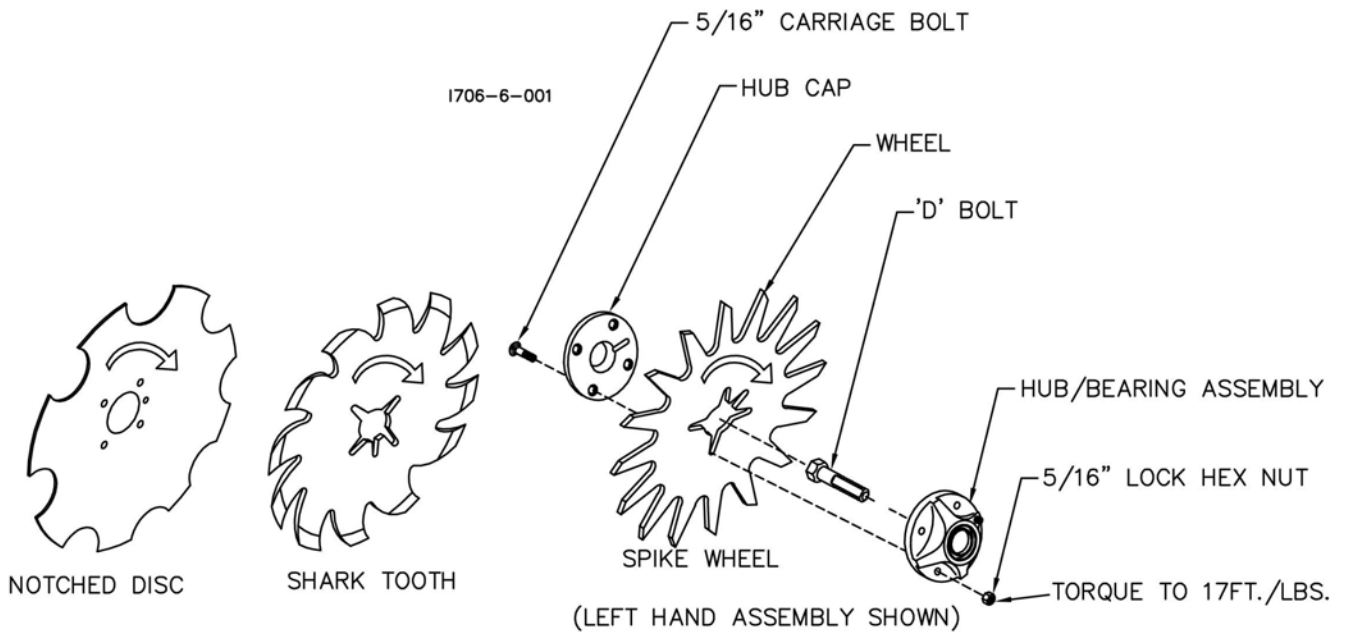
I190-1

# MAINTENANCE

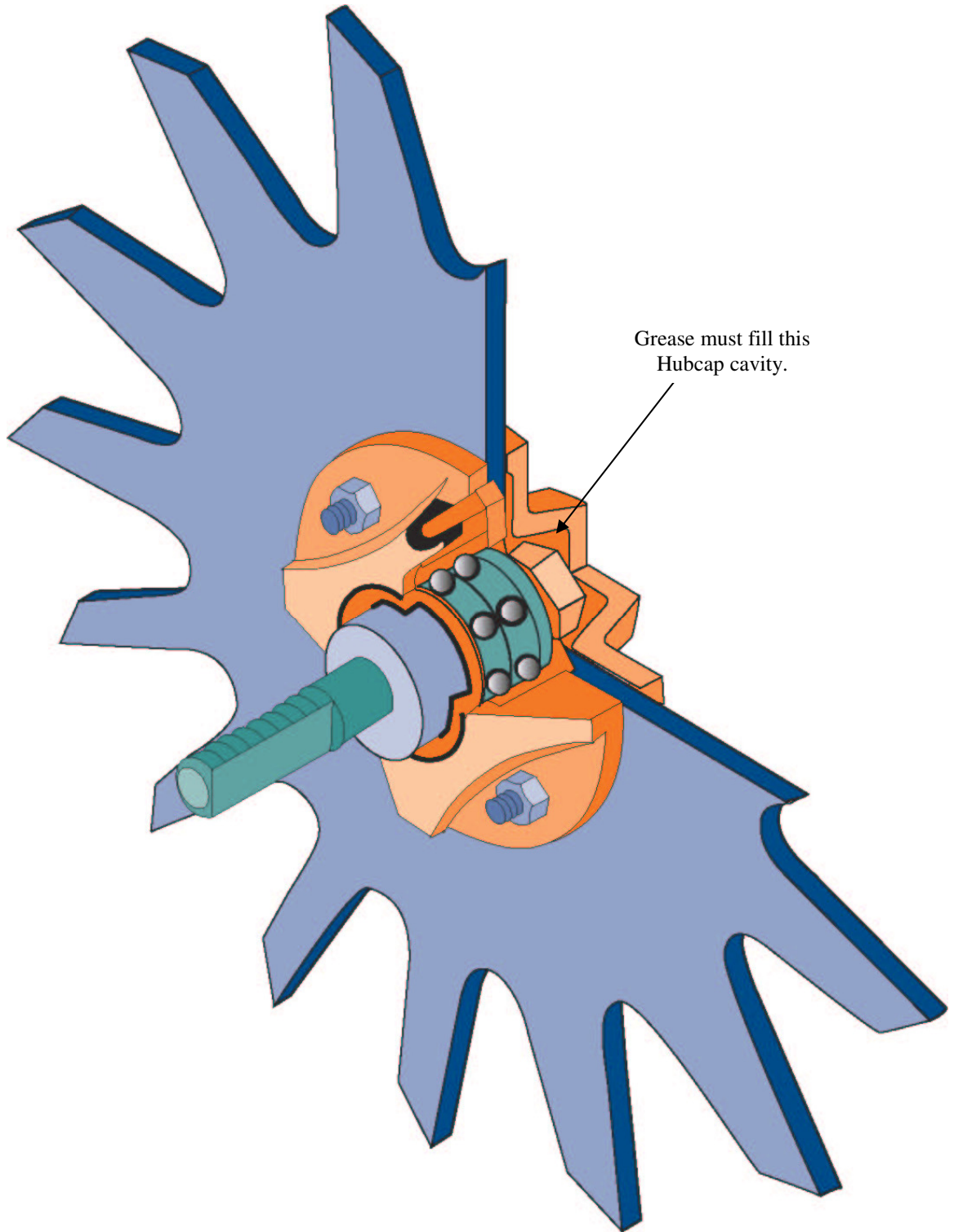
ALIGN THE HUB CAP GROOVE,  
WITH THE WHEEL SLOT AND  
GREASE FITTING



NOTE: Be certain to align the grease fitting with the slot in the wheel and the hubcap so that the grease can flow freely.



# MAINTENANCE



# MAINTENANCE

## Lubrication



**CAUTION:** To help prevent serious injury or death to you or others caused by unexpected movement, service machine on a level surface. Lower machine to ground or sufficiently lock or block raised machine before servicing. If machine is connected to tractor, engage parking brake and place transmission in "PARK", shut off engine and remove key. If machine is detached from tractor, block wheels and use shop stands to prevent movement.



**CAUTION:** Do not clean, lubricate, or adjust machine while in motion.

Use grease based on NLGI consistency numbers and the expected air temperature range during the service interval.

Use a **multi-purpose polyurea, water resistant, moderate speed, and NLGI grade #2** grease.

Other greases may be used if they meet the following **NLGI Performance**

**IMPORTANT:** Some types of grease thickener are not compatible with others. Consult your grease supplier before mixing different types of grease.

## Alternative Lubricants

Conditions in certain geographical areas may require special lubricants and lubrication practices which do not appear in the operator's manual. If there are any questions, consult Yetter Manufacturing Co. to obtain latest information and recommendation.

PART #	DESCRIPTION	OUNCES OF GREASE
2967-404	13" TAPER TOOTH R.M. WHEEL	1.12 OZ
2967-602	13" SHARK TOOTH R.M. WHEEL	1.12 OZ
2967-186	FLOATER WHEEL KIT W/R.M. WHEEL	2.08 OZ
	BEVEL R.M. WHEEL W/ FLOATER WHEEL KIT	2.40 OZ

## Storing Lubricants

Your machine can operate at top efficiency only if clean lubricants are used.

Use clean containers to handle all lubricants.

Store them in an area protected from dust, moisture and other contaminants.

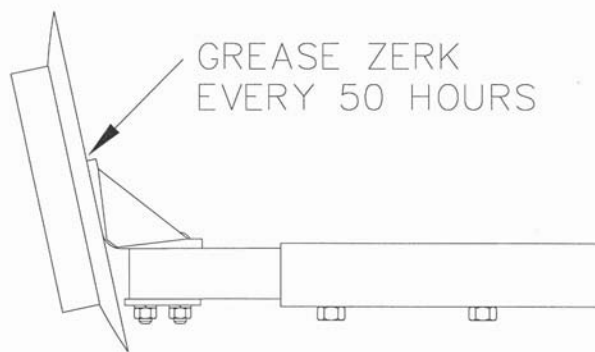
## MAINTENANCE

### Lubrication Symbols



Lubricate with grease at hourly interval indicated on symbol.

### Lubrication Intervals



**IMPORTANT:** The recommended service intervals are based on normal conditions; severe or unusual conditions may require more frequent lubrication.

Perform each lubrication and service procedure at the beginning and end of each season.

Clean grease fittings before using grease gun, to avoid injecting dirt and grit into the bearing. Replace any lost or broken fittings immediately. If a fitting fails to take grease, remove and clean thoroughly, replace fitting if necessary. Also check for failure of adjoining parts.

### BEARING REPLACEMENT INSTALLATION

1. When assembling the spoke wheels, bearing assembly and hubcap, be sure to align the grease transfer hole in the spoke wheel with the groove in the hubcap and hole in the hub to allow grease passage.
2. Install/assemble the wheels, hubs and caps.
3. Grease the wheel/hub/bearing assembly.

## MAINTENANCE

### Storing the Equipment

Store the machine in an area away from human activity

Store machine in RAISED position.

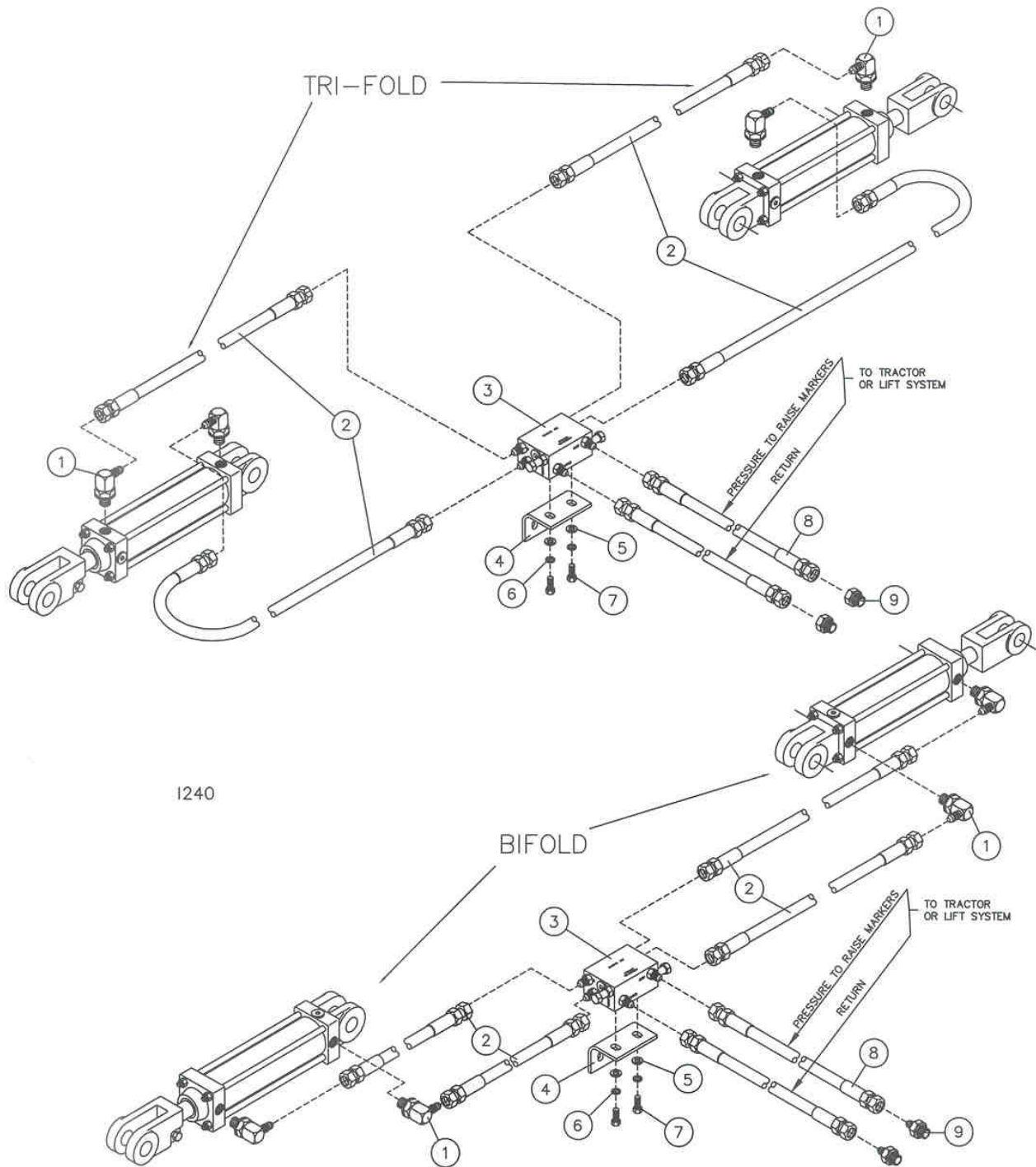
Install service locks on all wheel cylinders.

At the end of the season, the machine should be thoroughly inspected and prepared for storage.

Repair or replace any worn or damaged components to prevent down time at the start of the next season. Store machine under cover with all parts in operating condition.

- Clean machine thoroughly to remove all dirt, debris and crop residue, which would hold moisture and cause rusting.
- Inspect machine for worn or broken parts. See your Yetter Farm Equipment dealer during the off-season so that parts or service can be acquired when machine is not needed in the field.
- Lubricate bearings as outlined in the Lubrication section
- Paint all parts which are chipped or worn and require repainting.
- Store machine in a clean, dry place with the planting unit out of the sun.
- If the machine cannot be stored inside, cover with a waterproof tarpaulin and tie securely in place.
- Do not allow children to play on or around the machine

# PARTS IDENTIFICATION



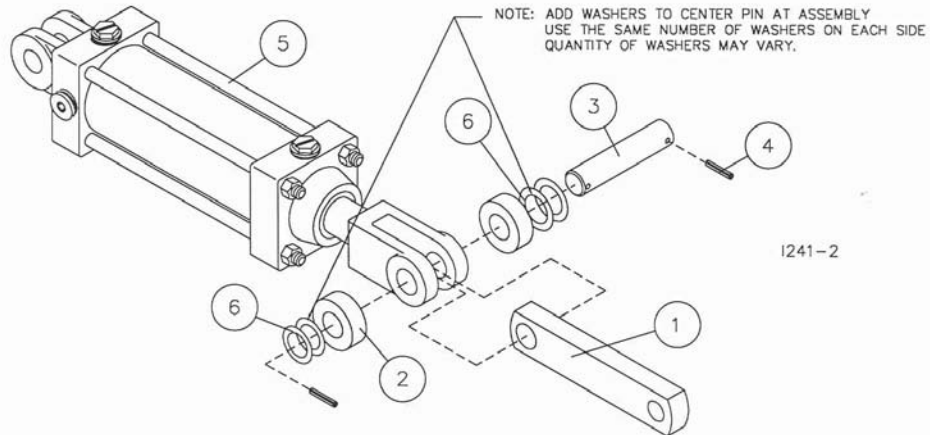
I240

KEY	QTY.	PART NO.	DESCRIPTION
1	4	2515-324	90°, 3/4 SAE TO -6 JIC
	4	2515-330	90°, REST., 3/4 SAE TO -6 JIC (TRI-FOLD)
2	4	2515-366	HOSE, 1/4 X 110" W/-6 JIC ENDS (15' JD750)
	4	2515-367	HOSE, 1/4 X 135" W/-6 JIC ENDS (15'-20', 20' JD750)
	4	2515-371	HOSE, 1/4 X 180" W/-6 JIC ENDS (24')
	4	2515-373	HOSE, 1/4 X 220" W/-6 JIC ENDS (30')
3	1	2515-314	ADJUSTABLE SEQUENCE VALVE
4	1	6001-425	SEQUENCE VALVE BRACKET (BENT)
5	2	2526-251	3/8 STD. FLATWASHER ZP
6	2	2525-251	3/8 MED. LOCKWASHER ZP
7	2	2502-237	3/8-16 X 1 HHCS GR .5 ZP
8	2	2515-366	HOSE 1/4 X 110" W/-6 JIC ENDS (15' JD750)
	2	2515-367	HOSE, 1/4 X 135" W/-6 JIC ENDS (20', 20' JD750)
9	2	2515-327	ADAPTOR, 3/4 SAE TO -6 JIC (JD750 ONLY)



# PARTS IDENTIFICATION

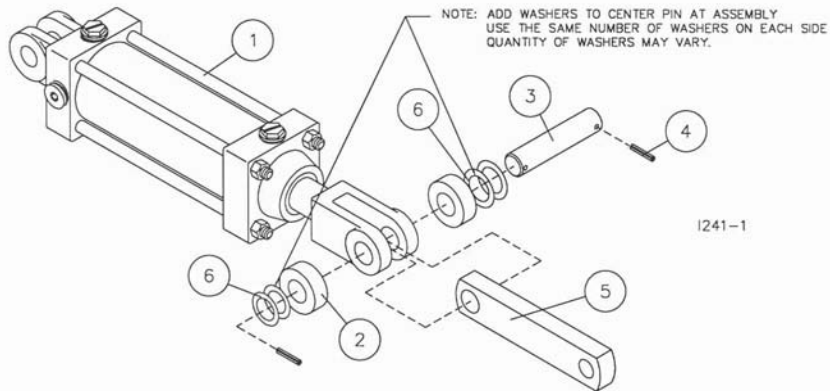
## 3" & 3-1/2" CYLINDER ASSEMBLY



6150-140 - 3" CYLINDER ASSEMBLY 15'-20'  
 6150-145 - 3" CYLINDER ASSEMBLY 24'-30'  
 6150-146 - 3-1/2" CYLINDER ASSEMBLY 35'

DET	QTY	PART NO.	DESCRIPTION
1	1	6150-362	CYLINDER LINK, 1" THICK
2	2	6001-368	CYLINDER ROLLER
3	1	6001-348	CYLINDER ROLLER PIN
4	2	2530-108	3/16" X 1-1/2" ROLL PIN ZP
5	1	2515-337	3" X 8" CYLINDER (SAE)
	1	2515-375	3" X 8" CYLINDER (SAE) 24'&30' MODELS
	1	2515-391	3-1/2" X 8" CYLINDER (SAE) 35' MODEL
	EA	2515-338	SEAL KIT, 3" CYLINDER
	EA	2515-382	SEAL KIT, 3 1/2" CYLINDER
6	4	2527-564	WASHER, 1"ID X1-1/2"OD X14GA

## 4" CYLINDER ASSEMBLY



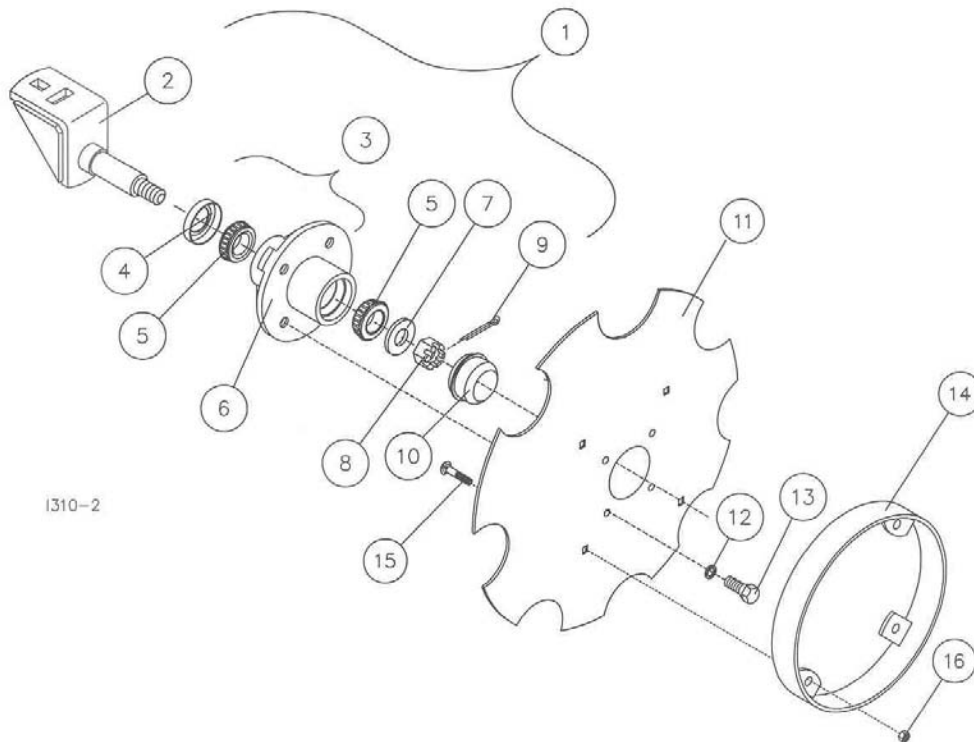
6150-129 4" CYLINDER ASSEMBLY 41'

DET	QTY	PART NO.	DESCRIPTION
1	1	2515-822	ASAE 4" X 8" CYL (SAE)
	EA.	2515-823	SEAL KIT, 4" CYLINDER
2	2	6001-524	2-1/2" OD CYLINDER ROLLER ZYD
3	1	6150-457	1-1/4"OD CYLINDER PIN ZYD
4	2	2530-153	1/4" X 2" ROLL PIN ZP
5	1	6150-427	CYLINDER LINK 1" THICK
6	4	2526-561	WASHER, 1-17/64"ID X 1-7/8"OD X 14 GA

# PARTS IDENTIFICATION

## 6150-118 - HEAVY DUTY DISC KIT W/DEPTH BAND

KEY	QTY.	PART NO.	DESCRIPTION
1	1	6150-133	HUB & BRACKET ASSEMBLY (INCLUDES NO. 2,3,5,7,8,9, and 10)
2	1	6150-221	HD MARKER BRACKET W.A.
3	1	6600-160	HUB SUB ASSEMBLY (INCLUDES NO. 4,5, and 6)
4	1	2550-054	SEAL, CR #12437
5	2	2550-053	1 1/16 BEARING L44649
6	1	6600-161	HUB WITH CUPS (INCLUDES 2 CUPS (WILTON #L46610)
7	1	2570-197	WASHER, 1 1/2 O.D. X 13/16 I.D.
8	1	2520-503	3/4-16 SLOTTED HEX NUT BLACK
9	1	2531-106	3/16 X 1-3/4 COTTER PIN BLACK
10	1	2570-196	HUB CAP
11	1	6001-609	.138 X 16" NOTCH MARKER DISC
12	4	2525-352	1/2 MED LOCK WASHER ZYD
13	4	2502-344	1/2-20 X 1 HHCS GR 5 ZYD
14	1	6150-253	HD DEPTH CONTROL BAND W.A.
15	4	2505-205	5/16-18 X 3/4 CAR BLT GR 5 ZYD
16	4	2520-205	5/16-18 LOCK HEX NUT ZYD



1310-2

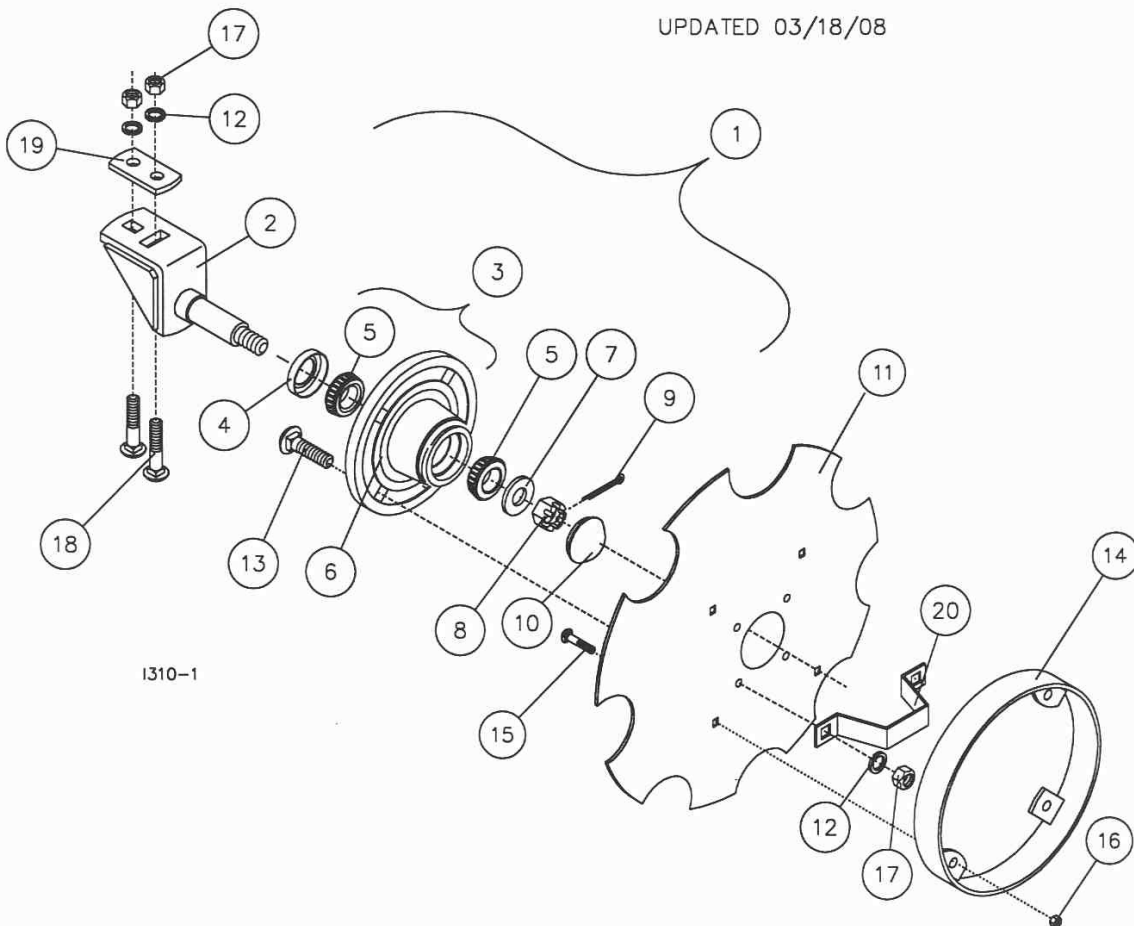
MANUFACTURED 1/95 - 12/00

# PARTS IDENTIFICATION

## 6150-155 HEAVY DUTY DISC KIT W/DEPTH BAND

Key	Qty	Part No.	Description
1	1	6150-153	HUB & BRACKET ASSY (INCLUDES # 2,3,5,7,8,9 & 10)
2	1	6001-294	HD MARKER BRACKET W.A.
3	1	2900-102	HUB SUB ASSEMBLY (INCLUDES # 4,5 & 6)
4	1	2550-066	TRIPLE LIP SEAL, NTI #1812-4
5	2	2550-027	CONE, LM67048
6	1	2900-105	HUB PRESSED ASSEMBLY
7	1	2526-449	5/8 FLATWASHER, 1/4 +/- .010 THK.
8	1	2520-469	5/8-11 SLOTTED HEX NUT ZP.
9	1	2531-102	1/8 X 1 1/4 COTTER PIN BLACK
10	1	2570-375	HUB CAP, WILTON #909902
11	1	2571-151	.138 X 16" NOTCH DISC W/DEPTH BAND HOLES
12	6	2525-352	1/2 MED LOCKWASHER ZP
13	4	2505-344	1/2-13 X 1-3/4 CAR BLT GR 5 ZP
14	1	6150-253	HD DEPTH CONTROL BAND W.A.
15	4	2505-205	5/16-18 X 3/4 CAR BOLT GR. 5 ZP
16	4	2520-205	5/16-18 LOCK HEX NUT ZP
17	6	2520-352	1/2-13 HEX NUT ZP
18	2	2505-351	1/2-13 X 4 CAR. BOLT GR. 5 ZP
19	1	6001-481	CLAMP PLATE
20	1	2987-301	HUB CAP RETAINER

UPDATED 03/18/08

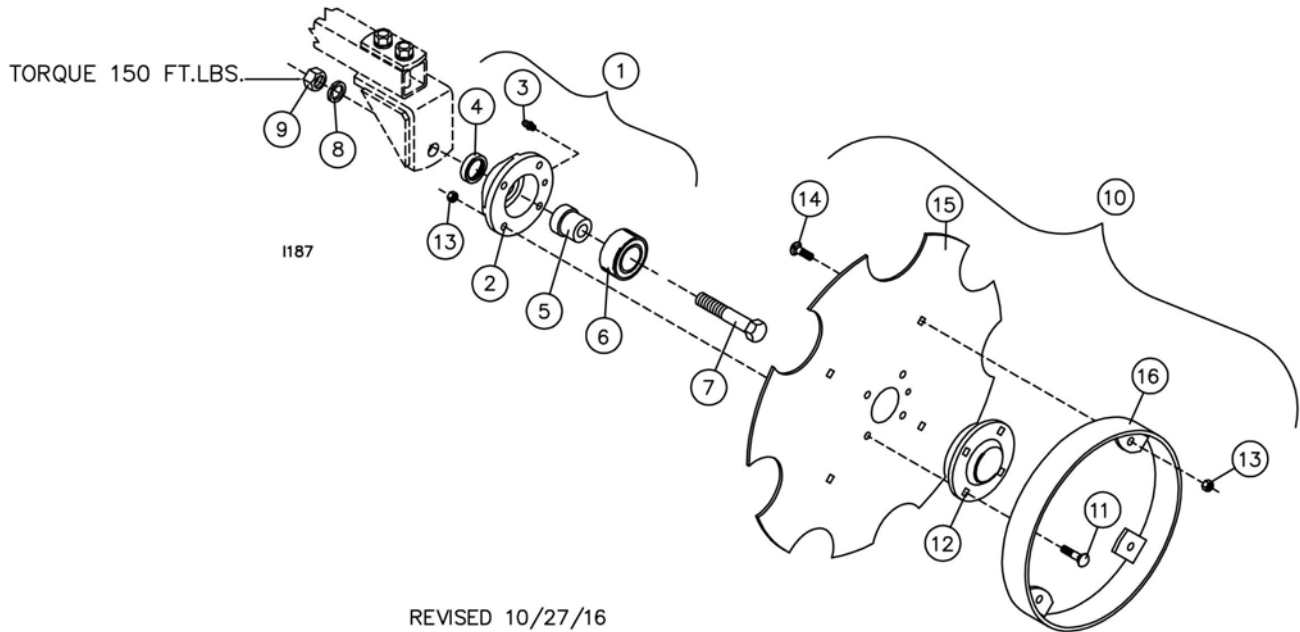


I310-1

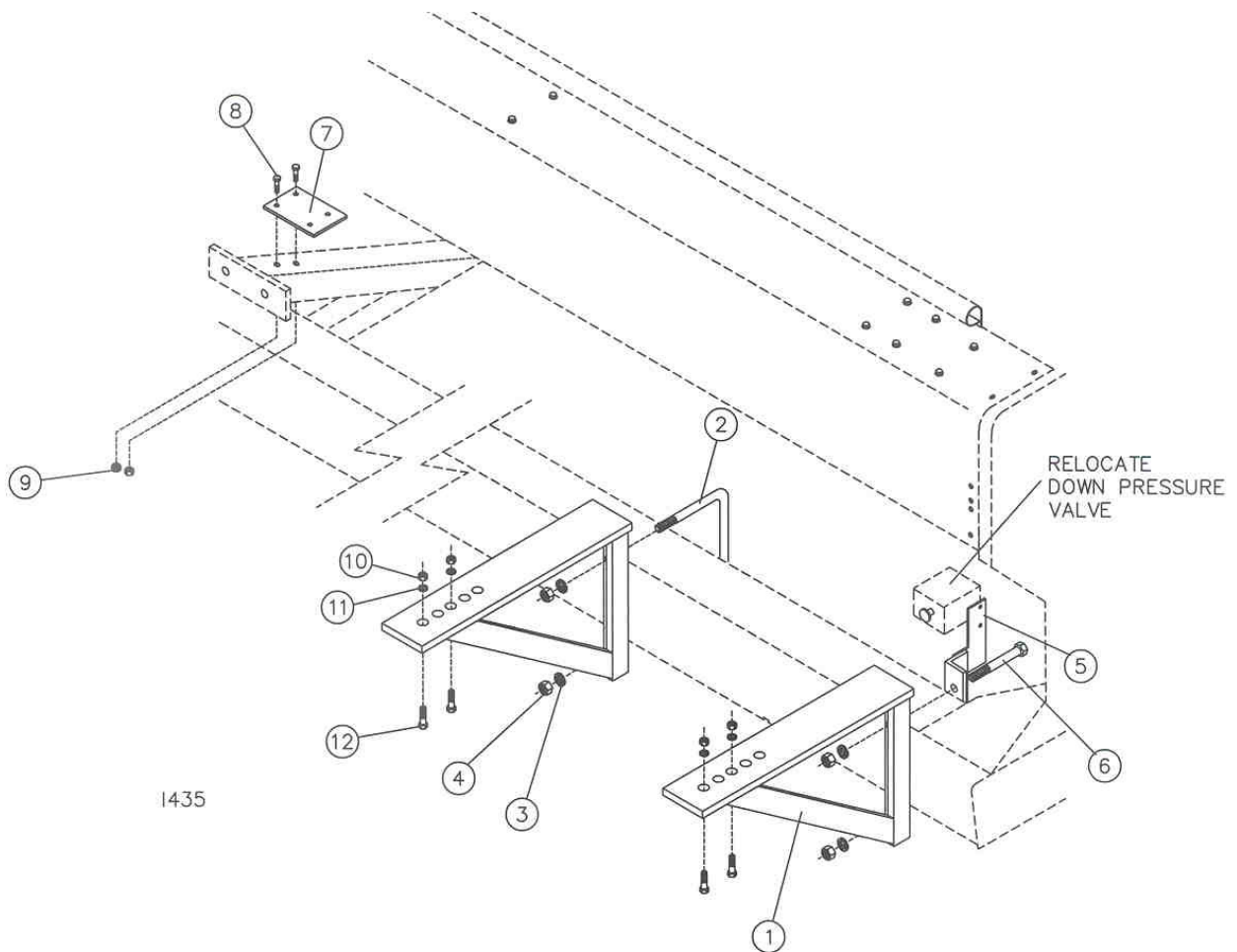
# PARTS IDENTIFICATION

## NOTCHED - MARKER DISC ASSEMBLY

KEY	QTY.	PART NO.	DESCRIPTION
1	1	2965-128	HUB AND BEARING ASSEMBLY, 4 BOLT (INCLUDES # 2, 3, 4, 5 & 6)
2	1	2965-351	HUB CASTING, MACHINED, 4 BOLT (INCLUDES # 3)
3	1	2533-110	1/4-28 STRAIGHT SELF-TAP GREASE ZRK ZP.
4	1	2550-069	SEAL, TRIPLE LIP, NTI# 1812-5
5	1	2570-715	BEARING INSERT, TRASHMASTER
6	1	2570-594	BEARING, 2 ROW
7	1	2570-740	D-BOLT, FLANGED, 5/8-11 X 2.812" GR. 8 ZYD
8	1	2525-451	5/8 MED. LOCKWASHER ZP.
9	1	2520-452	5/8-11 HEX NUT ZP.
10	1	6001-610	NOTCHED MARKER DISC ASSY.
11	4	2505-207	5/16-18 X 1 1/4" CAR. BLT. GR.5 ZP.
12	1	2965-352-DISC	HUB CAP CASTING, 4 BOLT, BLACK
13	8	2520-206	5/16-18 FLANGE LOCK NUT
14	4	2505-205	5/16-18 X 3/4" CAR. BLT. GR.5 ZP.
15	1	6001-495	MARKER DISC, NOTCH, PUNCH, 4 BOLT
16	1	6001-217	DEPTH CONTROL BAND W.A.



# PARTS IDENTIFICATION



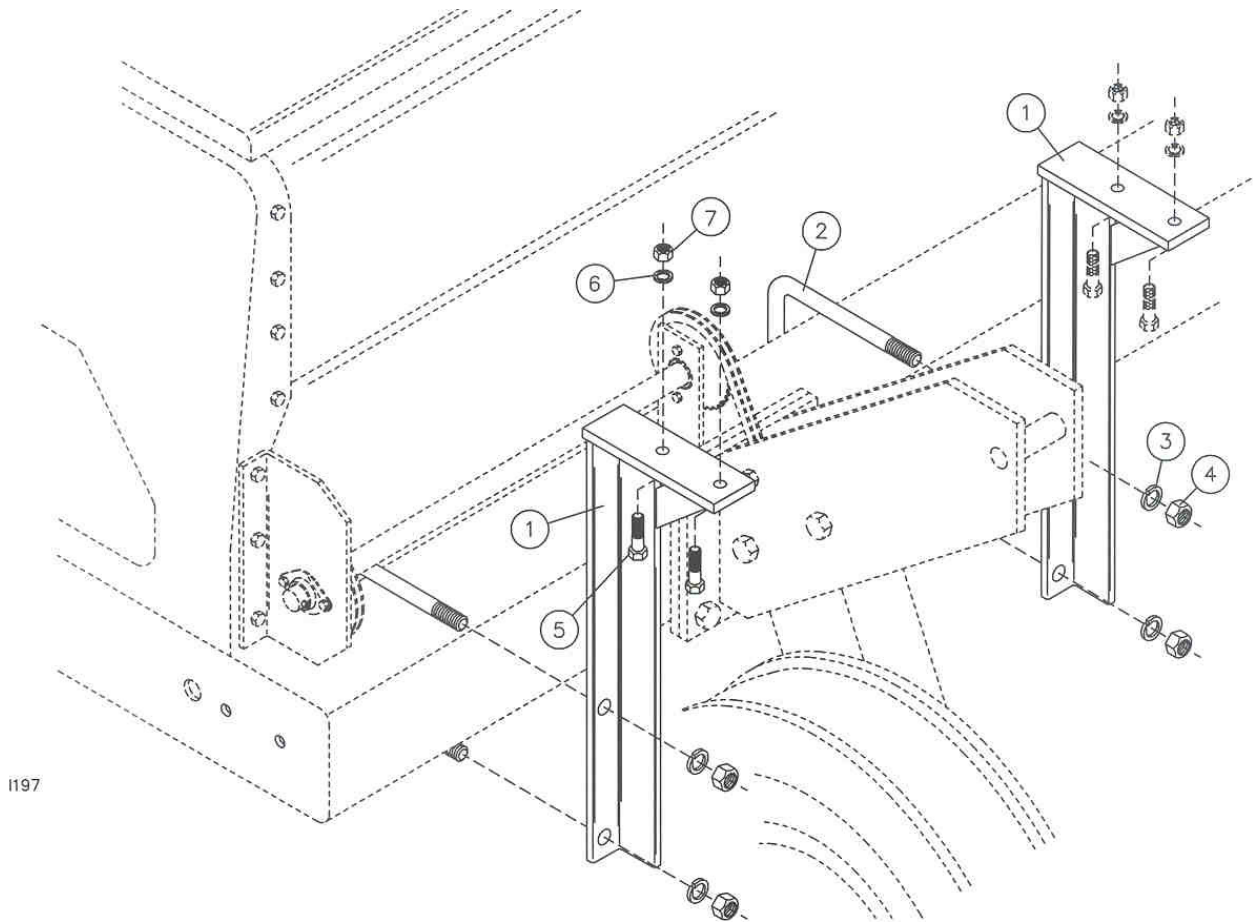
## 6001-016 – MARKER MOUNTING KIT, JOHN DEERE 1520

KEY	QTY.	PART NO.	DESCRIPTION
1	4	6001-279	MARKER BRACKET W.A., JD 1520
2	3	2570-477	3/4 X 7 X 7 U-BOLT ZYD
3	8	2525-501	3/4 MED LOCK WASHER ZYD.
4	8	2520-504	3/4-10 HEX NUT ZYD.
5	1	6001-282	DOWN PRESSURE VALVE MTG. PLATE W.A.
6	2	2502-509	3/4-10 X 7 HHCS GR 5 ZYD
7	1	6001-451	SEQUENCE VALVE ADAPTER PLATE
8	2	2502-207	5/16-18 X 2 HHCS GR 5 ZYD
9	2	2520-205	5/16-18 LOCK HEX NUT ZYD
10	8	2520-352	1/2-13 HEX NUT ZYD
11	8	2525-352	1/2 MED LOCK WASHER ZYD
12	8	2502-317	1/2-13 X 1 3/4 HHCS GR 5 ZYD

# PARTS IDENTIFICATION

## 6001-018 – MOUNTING KIT, JD 455 DRILLS

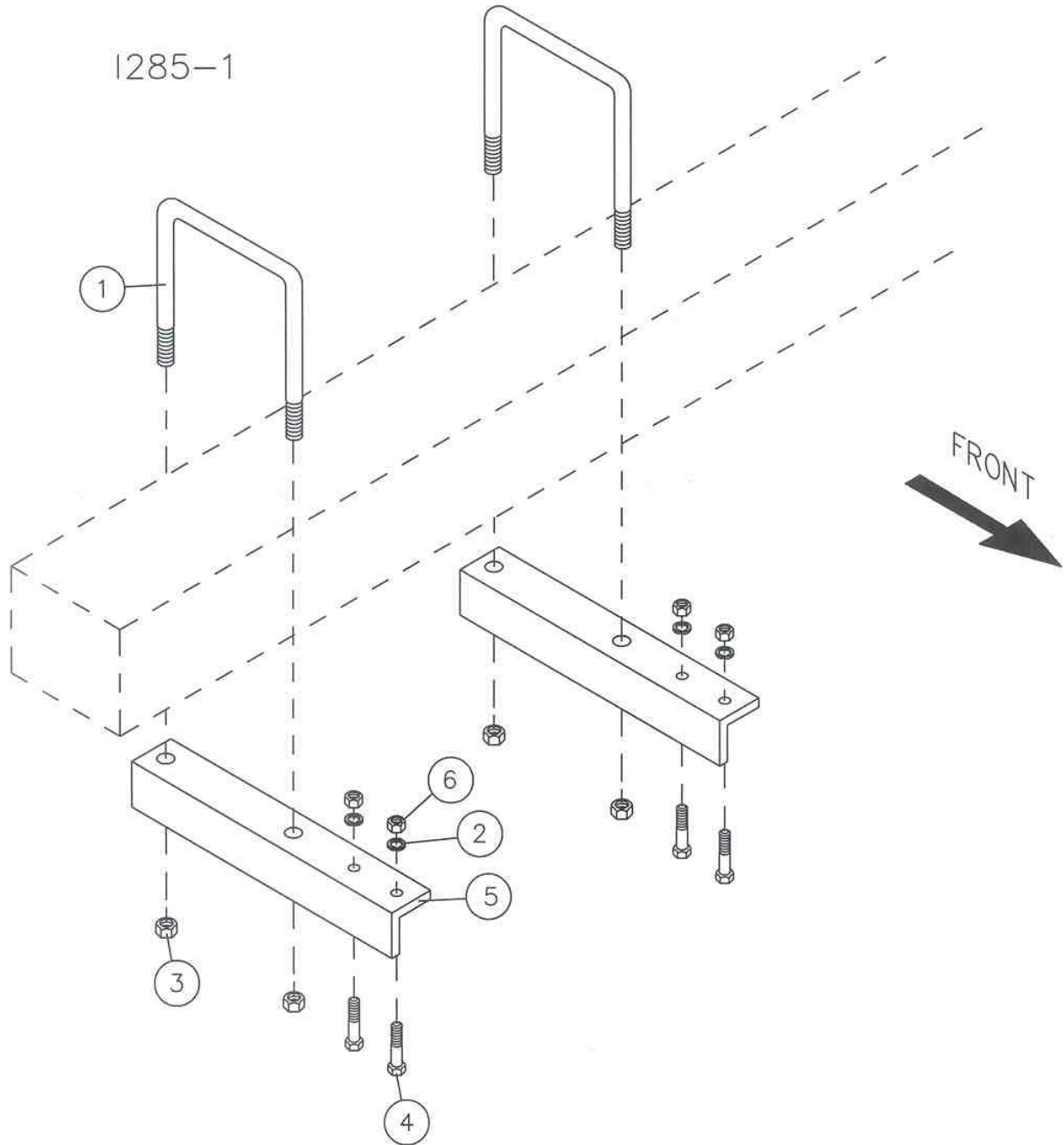
KEY	QTY.	PART NO.	DESCRIPTION
1	4	6001-274	MOUNT ANGLE, JD 455, W.A.
2	4	2570-064	3/4 X 6 X 8 U-BOLT ZYD
3	8	2525-501	3/4 MED LOCK WASHER ZYD
4	8	2520-504	3/4-10 HEX NUT ZYD
5	8	2502-317	1/2-13 X 1 3/4 HHCS GR 5 ZYD
6	8	2525-352	1/2 MED LOCK WASHER ZYD
7	8	2520-352	1/2-13 HEX NUT ZYD



1197



# PARTS IDENTIFICATION

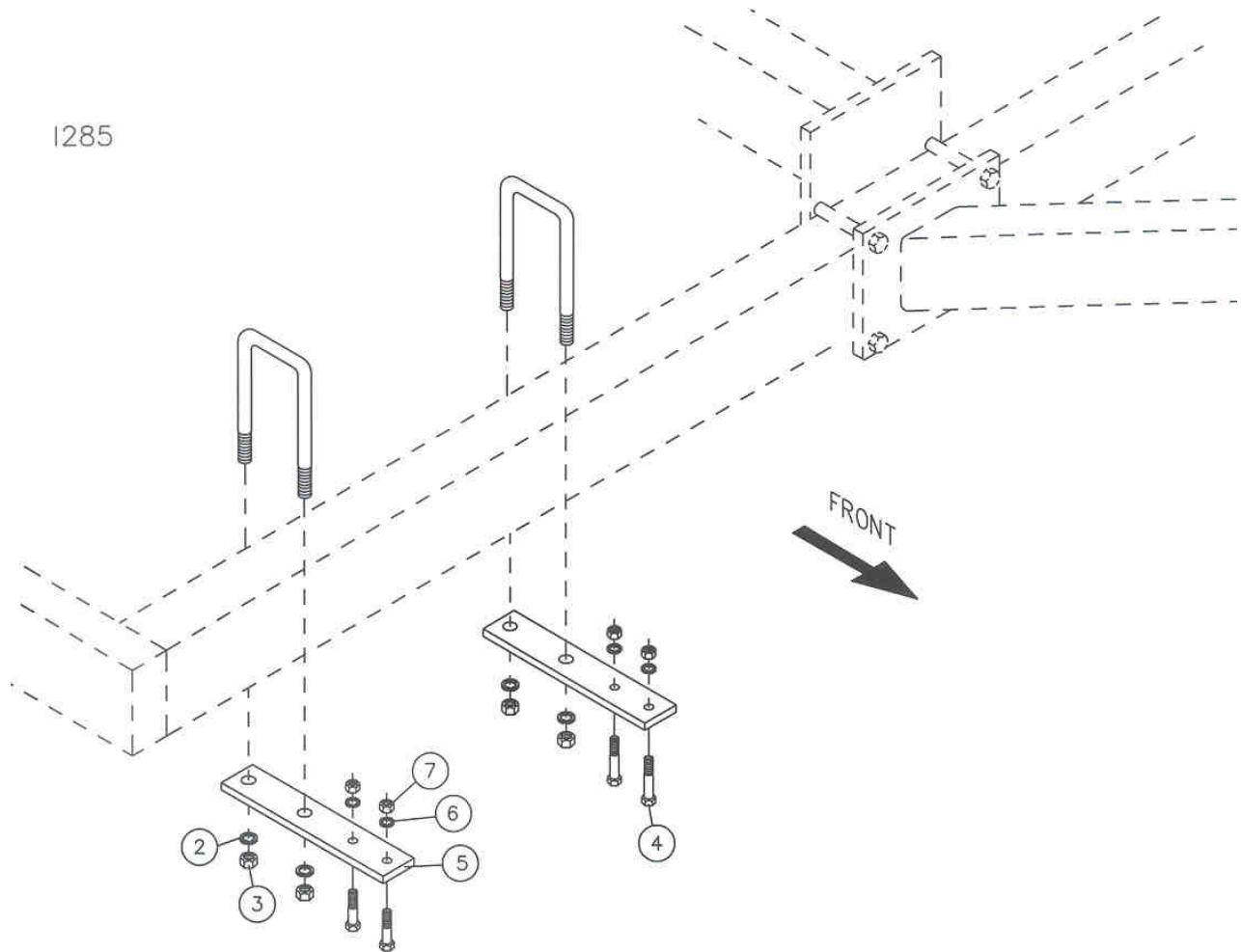


## 6001-026 – MARKER MOUNTING KIT, 7 X 7 CULTIVATOR

KEY	QTY.	PART NO.	DESCRIPTION
1	4	2570-626	5/8 X 7 X 9 U-BOLT ZYD
2	8	2525-352	1/2 MED LOCKWASHER ZYD
3	8	2520-459	5/8-11 HEX LOCK NUT ZYD
4	8	2502-294	1/2-13 X 1-1/2 HHCS GR 5 ZYD
5	4	6001-353	MOUNT ANGLE, 7X7 CULTIVATOR
6	8	2520-352	1/2-13 HEX NUT ZYD



# PARTS IDENTIFICATION

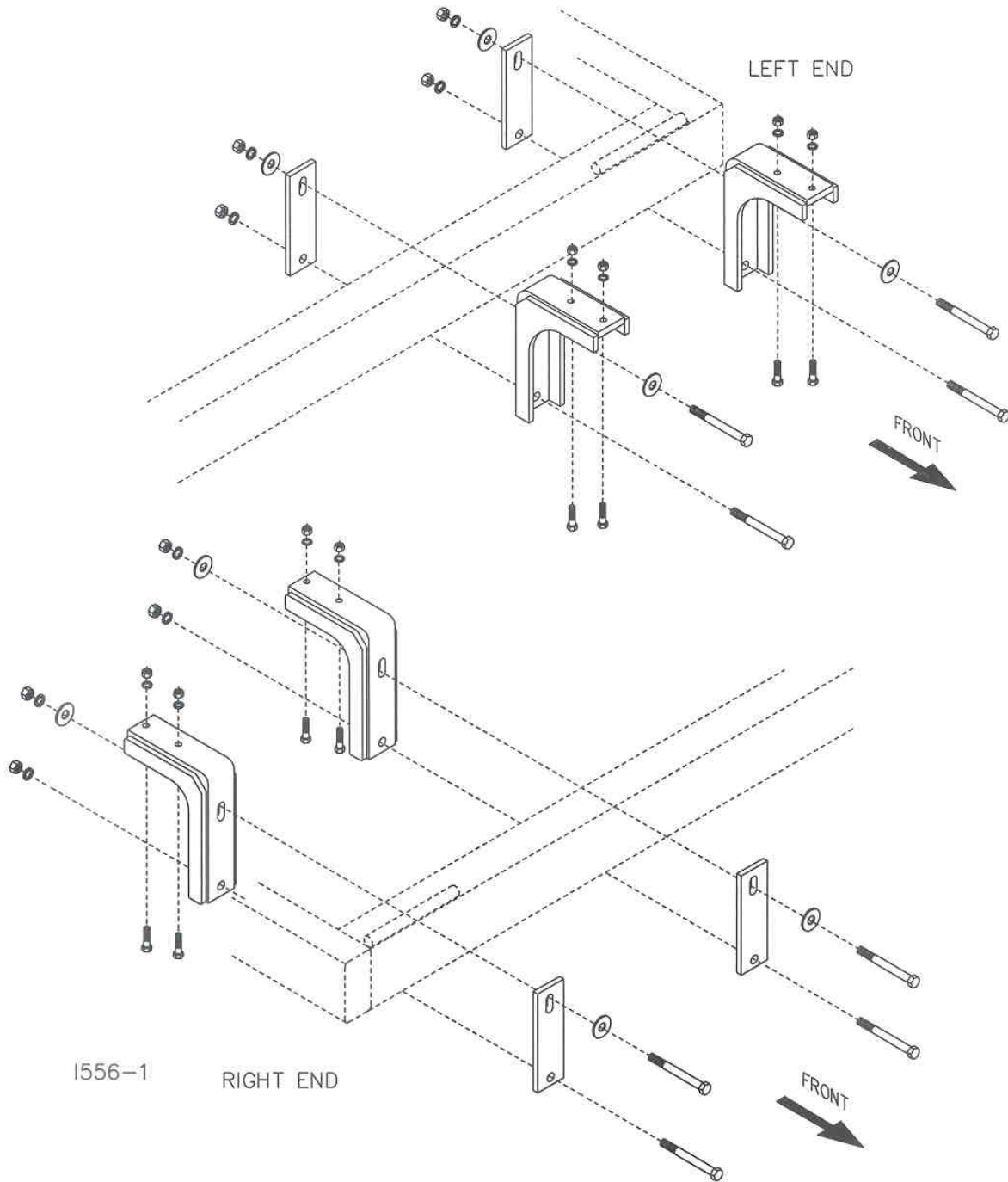


## 6001-028 – MARKER MOUNTING KIT JOHN DEERE 750, 1560, 1590 15FT & 20FT

KEY	QTY.	PART NO.	DESCRIPTION
1	4	2570-733	3/4 X 4 X 8 U-BOLT ZYD
2	8	2525-501	3/4 MED LOCK WASHER ZYD.
3	8	2520-504	3/4-10 HEX NUT ZYD
4	8	2502-351	1/2-13 X 2 HHCS GR 5 ZYD
5	4	6001-416	MOUNTING PLATE, JD 750
6	8	2525-352	1/2 MED LOCK WASHER ZYD
7	8	2520-352	1/2-13 HEX NUT ZYD

# PARTS IDENTIFICATION

6001-031 MARKER MOUNTING KIT, JD 1850/1860/1890 W/O CCS TANK

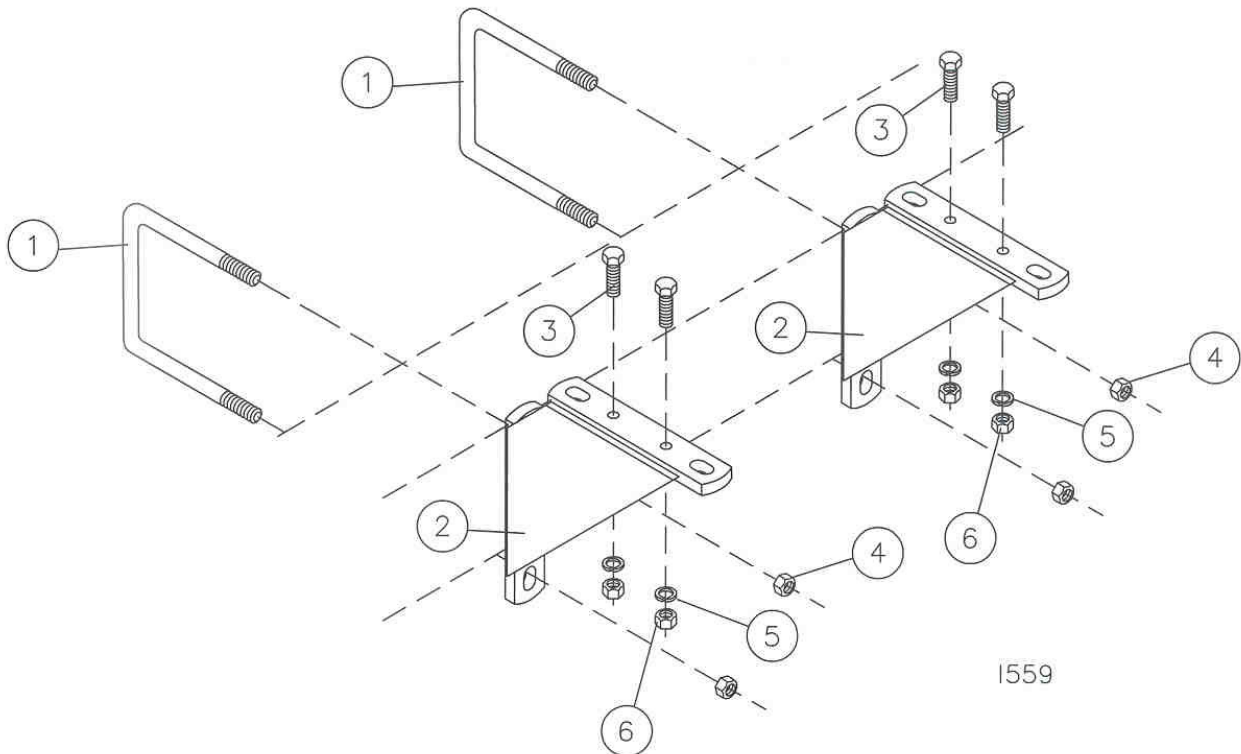


KEY	QTY	PART NO.	DESCRIPTION
1	8	2502-509	3/4-10 X 7" HHCS GR.5 ZP
2	4	6001-284	MARKER MOUNT W.A.-JD 1850
3	8	2526-501	3/4 STD. FLATWASHER ZP
4	8	2525-501	3/4 MED. LOCKWASHER ZP
5	8	2520-504	3/4-10 HEX NUT ZP
6	8	2502-351	1/2-13 X 2" HHCS GR. 5 ZP
7	8	2525-352	1/2 MED. LOCKWASHER ZP
8	8	2520-352	1/2-13 HEX NUT ZP
9	4	6001-493	MARKER MOUNT CLAMP PLATE

# PARTS IDENTIFICATION

## 6001-033 - MARKER MOUNT KIT 7 X 7 OR 8 X 8 BAR

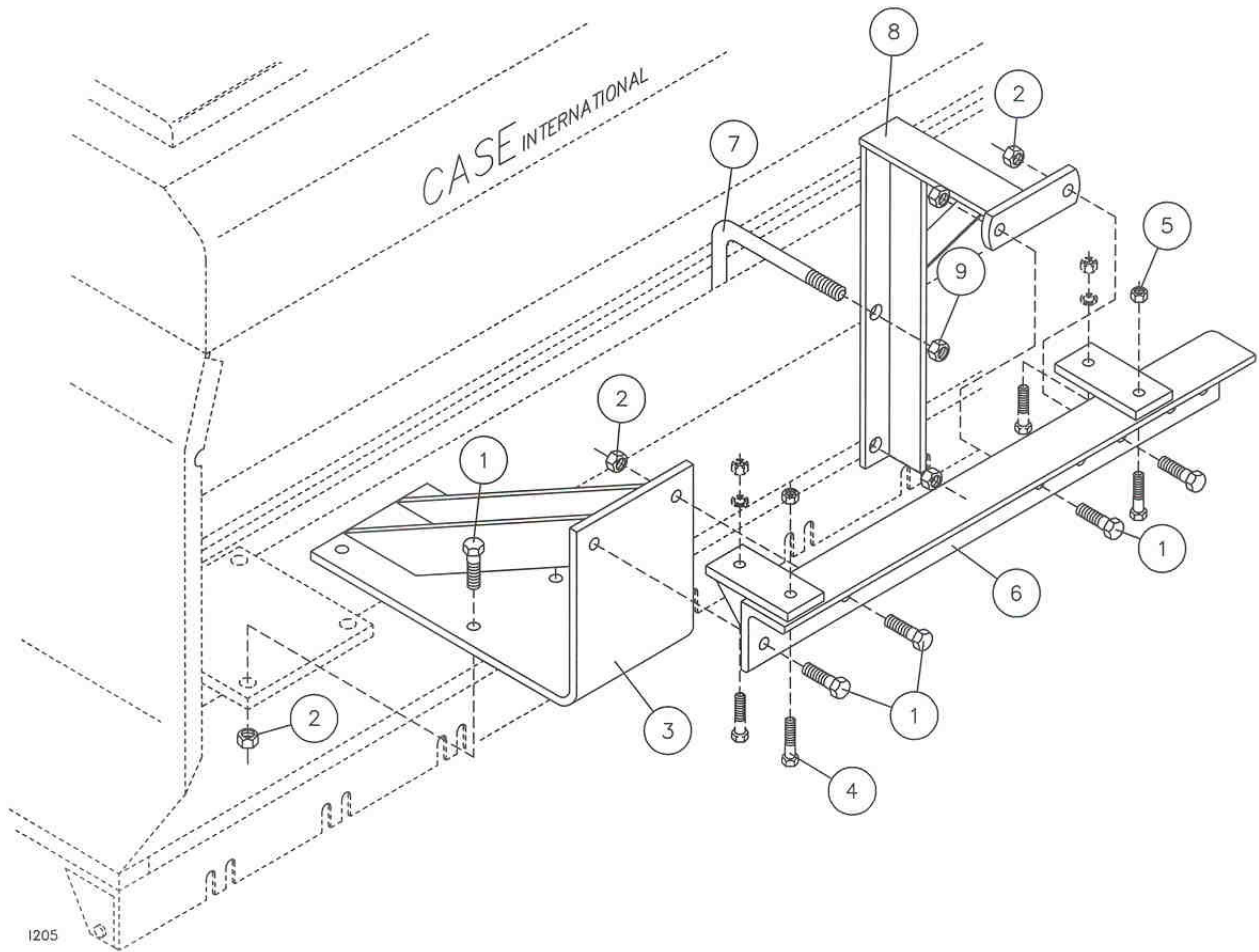
Key	Qty.	Part No.	Description
1	4	2570-478	3/4 X 7" X 9" U-BOLT ZYD
	4	2570-755	3/4 X 8" X 10" U-BOLT ZYD
2	4	6001-289	MARKER MOUNT W.A.
3	8	2502-317	1/2-13 X 1 3/4" HHCS GR.5 ZP
4	8	2520-515	3/4-16 LOCK HEX NUT ZP
5	8	2525-352	1/2 MED. LOCKWASHER
6	8	2520-352	1/2-13 HEX NUT ZP



# PARTS IDENTIFICATION

## 6001-042 – MOUNTING KIT, CASE IH 5500 DRILL

KEY	QTY.	PART NO.	DESCRIPTION
1	16	2502-331	5/8-11 X 1 3/4 HHCS GR 5 ZYD
2	16	2520-459	5/8-11 LOCK HEX NUT ZYD
3	2	6001-275	MOUNTING BRACKET W.A., IH 5500
4	8	2502-351	1/2-13 X 2 HHCS GR 5 ZYD
5	8	2520-357	1/2-13 LOCK HEX NUT ZYD
6	2	6001-276	MOUNT ANGLE W.A., CASE IH 5500
7	2	2570-478	3/4 X 7 X 9 U-BOLT ZYD
8	2	6001-277	MOUNTING BRACE W.A., IH 5500
9	4	2520-515	3/4-10 LOCK HEX NUT ZYD



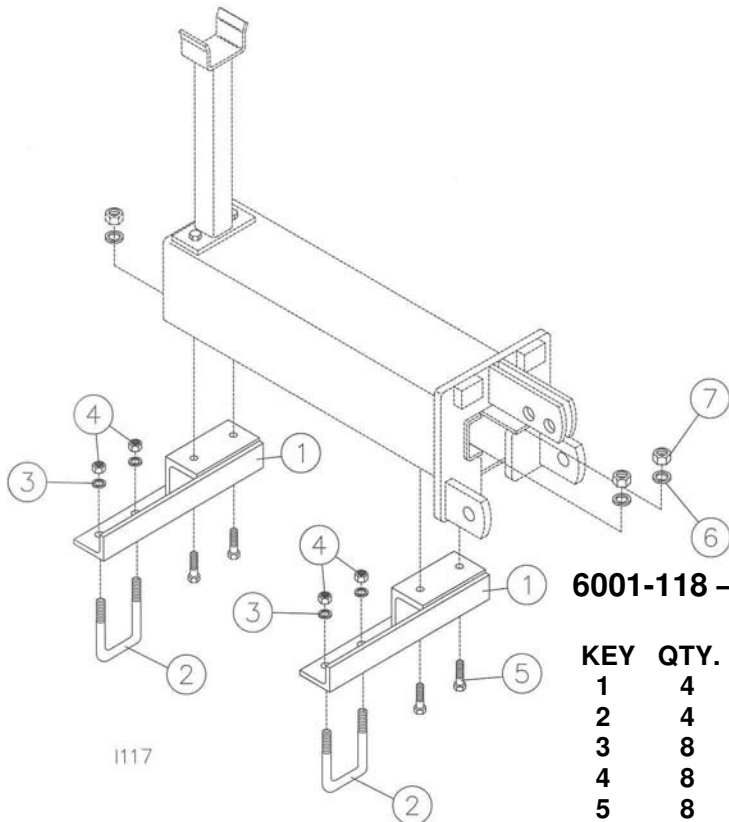
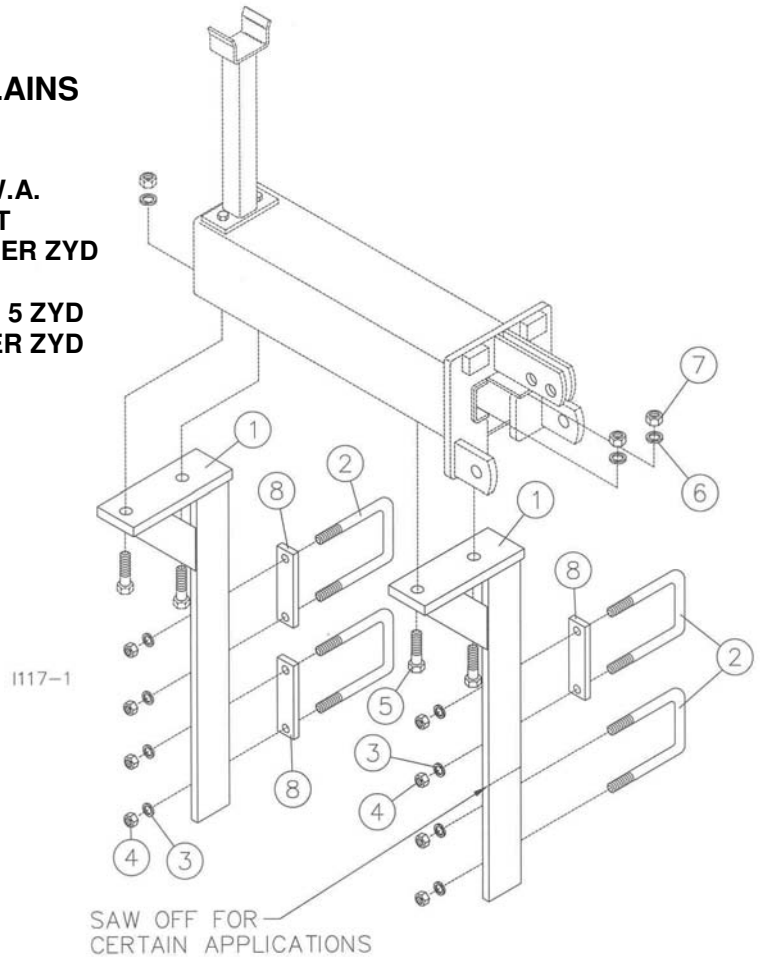
NOTE: SHOWN ON RIGHT HAND END OF DRILL.

# PARTS IDENTIFICATION

## 6001-120 – MOUNTING KIT, GREAT PLAINS

KEY	QTY.	PART NO.	DESCRIPTION
1	4	6001-259	21" MOUNT ANGLE W.A.
2	8	2570-564	5/8 X 3-1/2 X 5 U-BOLT
3	16	2525-451	5/8 MED LOCK WASHER ZYD
4	16	2520-452	5/8-11 HEX NUT ZYD
5	8	2502-317	1/2-13 X 1 3/4 HHCS GR 5 ZYD
6	8	2525-352	1/2 MED LOCK WASHER ZYD
7	8	2520-352	1/2-13 HEX NUT ZYD
8	8	6001-445	MOUNTING SPACER

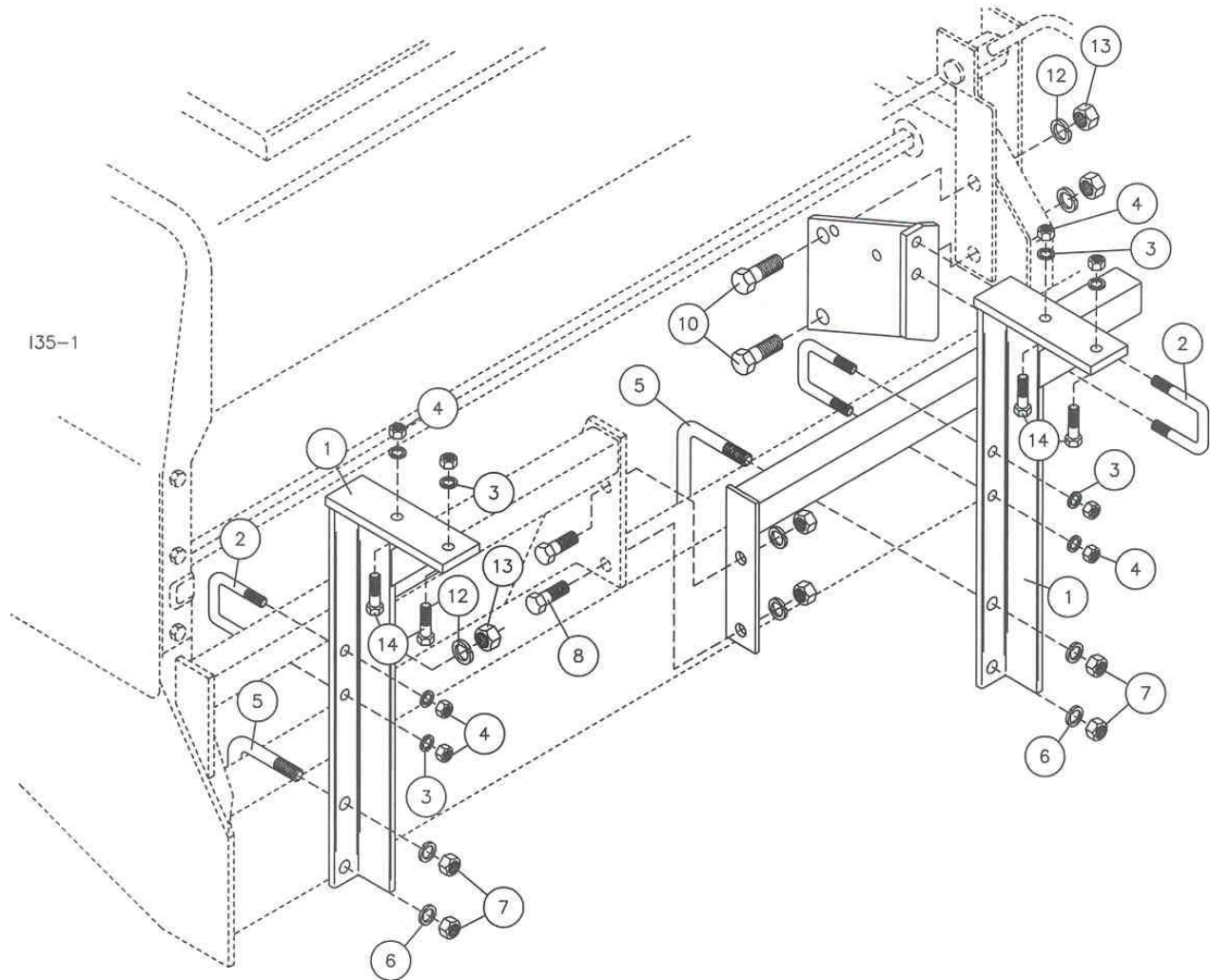
**NOTE:** Part No. 6001-445, Mounting Spacer  
Only used on drills with 7" or 10" spacing.  
Also need to saw off bottom end of 6001-259  
to obtain full range of seeding rates.



## 6001-118 – MOUNTING KIT, (M&W, MARLISS & TYE)

KEY	QTY.	PART NO.	DESCRIPTION
1	4	6001-232	MOUNTING BRACKET W.A.
2	4	2570-564	5/8 X 3 1/2 X 5 U-BOLT ZYD
3	8	2525-451	5/8 MED LOCK WASHER ZYD
4	8	2520-452	5/8-11 HEX NUT ZYD
5	8	2502-317	1/2-13 X 1 3/4 HHCS GR 5 ZYD
6	8	2525-352	1/2 MED LOCK WASHER ZYD
7	8	2520-352	1/2-13 HEX NUT ZYD

# PARTS IDENTIFICATION

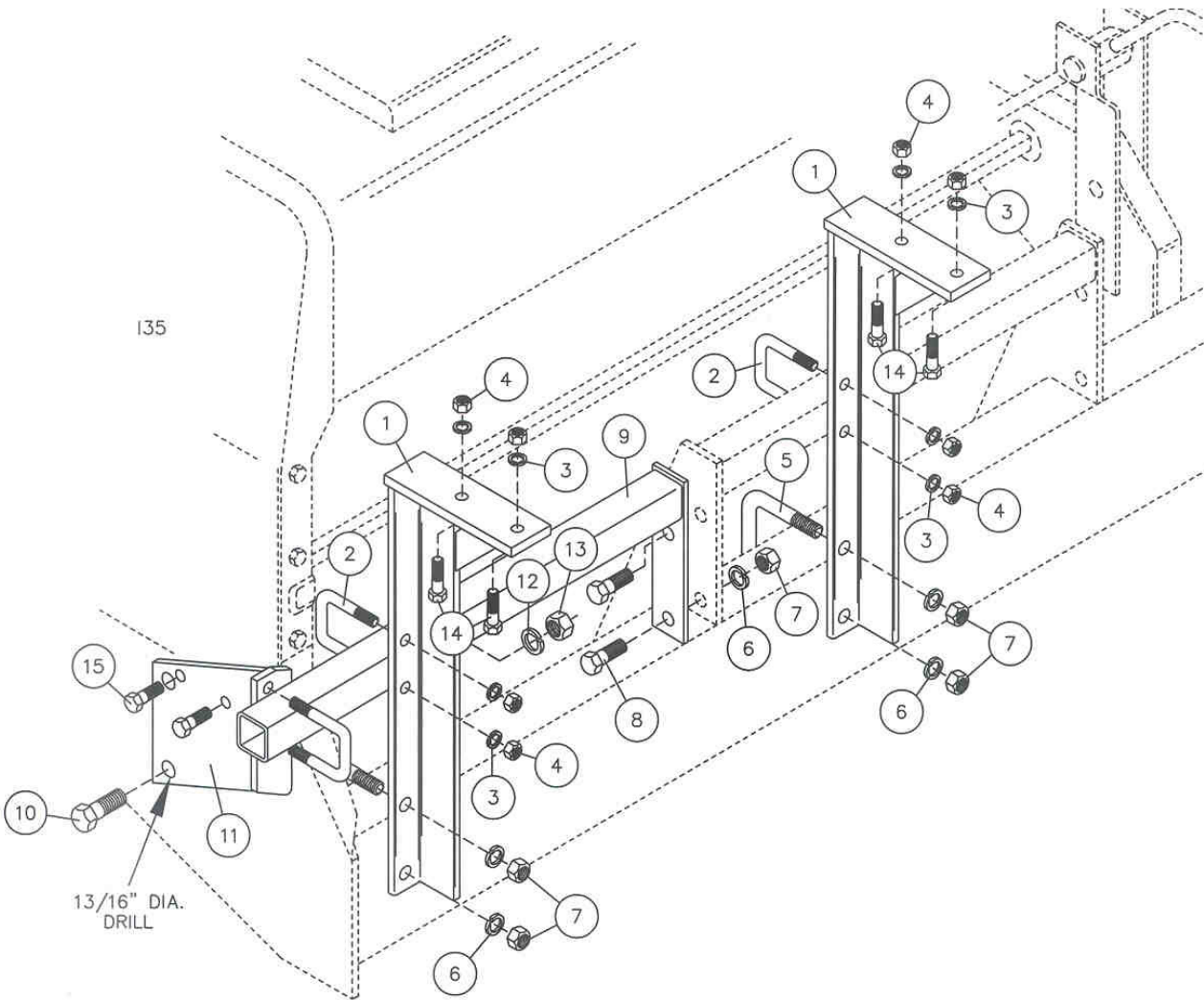


## 6001-191 – MARKER MOUNTING KIT, JD 515/520 (MOUNTED ON JD 515)

KEY	QTY.	PART NO.	DESCRIPTION
1	4	6001-261	MOUNT ANGLE W.A., JD 515 & 520
2	6	2570-565	1/2 X 2 X 3 U-BOLT ZYD
3	20	2525-352	1/2 MED LOCK WASHER ZYD
4	20	2520-352	1/2-13 HEX NUT ZYD
5	4	2570-602	5/8-11 X 3 X 4 1/2 U-BOLT ZYD
6	12	2525-451	5/8 MED LOCK WASHER ZYD
7	12	2520-452	5/8-11 HEX NUT ZYD
8	4	2502-318	5/8-11 X 1 1/2 HHCS GR 5 ZYD
9	2	6001-262	2 X 2 BAR W.A., JD 515 & 520
10	4	2502-503	3/4-10 X 2 HHCS GR 5 ZYD
11	1	6001-455	2 X 2 BAR BRACE, JD 515 & 520 (SHOWN)
	1	6001-460	L.H. 2 X 2 BRACE, JD 515 & 520
12	4	2525-501	3/4 MED LOCK WASHER ZYD
13	4	2520-504	3/4-10 HEX NUT ZYD
14	8	2502-317	1/2-13 X 1 3/4 HHCS GR 5 ZYD



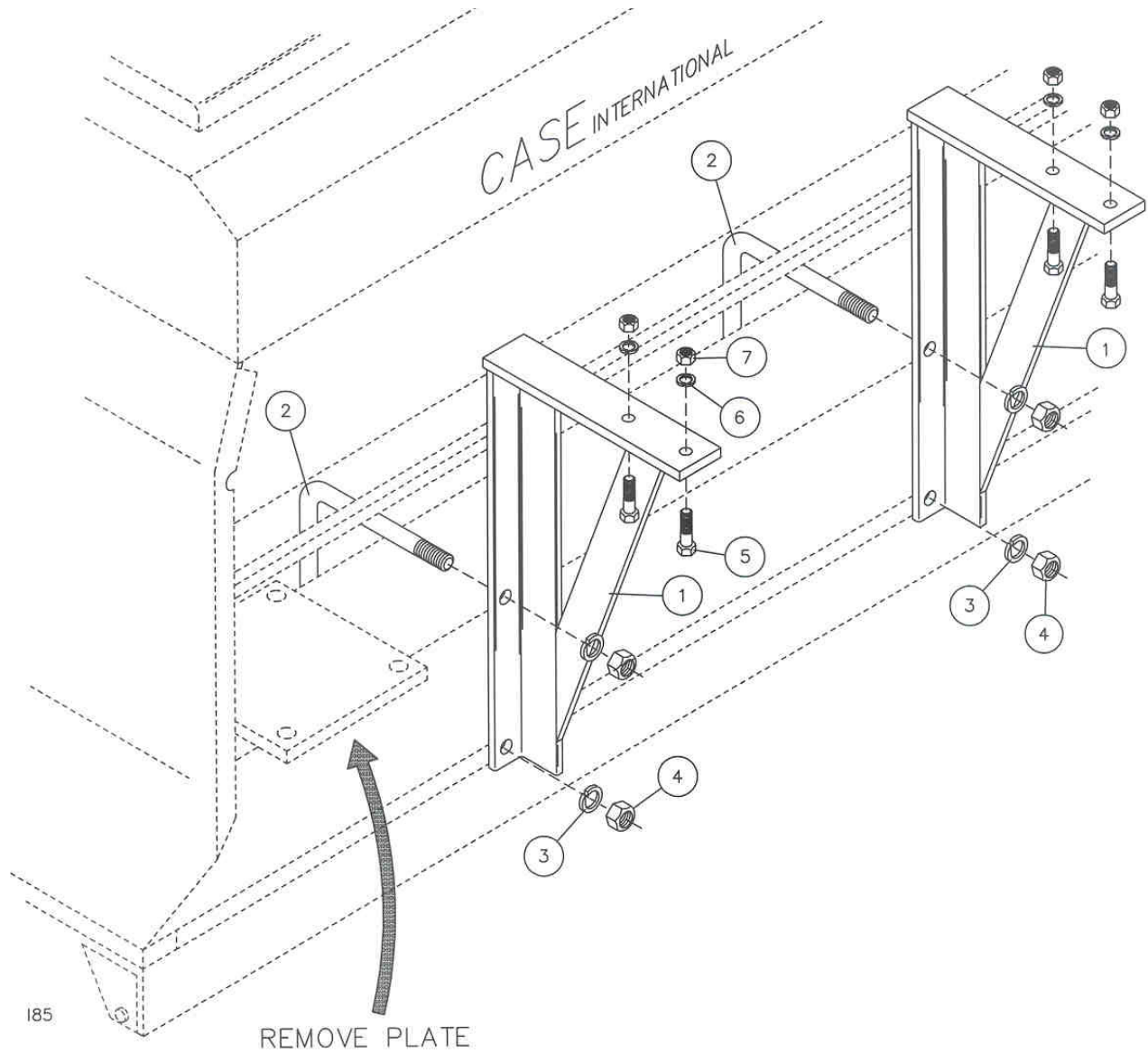
# PARTS IDENTIFICATION



## 6001-191 – MARKER MOUNTING KIT, JD 515/520 (MOUNTED ON JD 520)

KEY	QTY.	PART NO.	DESCRIPTION
1	4	6001-261	MOUNT ANGLE W.A., JD 515 & 520
2	6	2570-565	1/2 X 2 X 3 U-BOLT ZYD
3	20	2525-352	1/2 MED LOCK WASHER ZYD
4	20	2520-352	1/2-13 HEX NUT ZYD
5	4	2570-602	5/8-11 X 3 X 4 1/2 U-BOLT ZYD
6	12	2525-451	5/8 MED LOCK WASHER ZYD
7	12	2520-452	5/8-11 HEX NUT ZYD
8	4	2502-318	5/8-11 X 1 1/2 HHCS GR 5 ZYD
9	2	6001-262	2 X 2 BAR W.A., JD 515 & 520
10	4	2502-503	3/4-10 X 2 HHCS GR 5 ZYD
11	1	6001-455	2 X 2 BAR BRACE, JD 515 & 520 (SHOWN)
	1	6001-460	L.H. 2 X 2 BRACE, JD 515 & 520
12	4	2525-501	3/4 MED LOCK WASHER ZYD
13	4	2520-504	3/4-10 HEX NUT ZYD
14	8	2502-317	1/2-13 X 1 3/4 HHCS GR 5 ZYD

# PARTS IDENTIFICATION

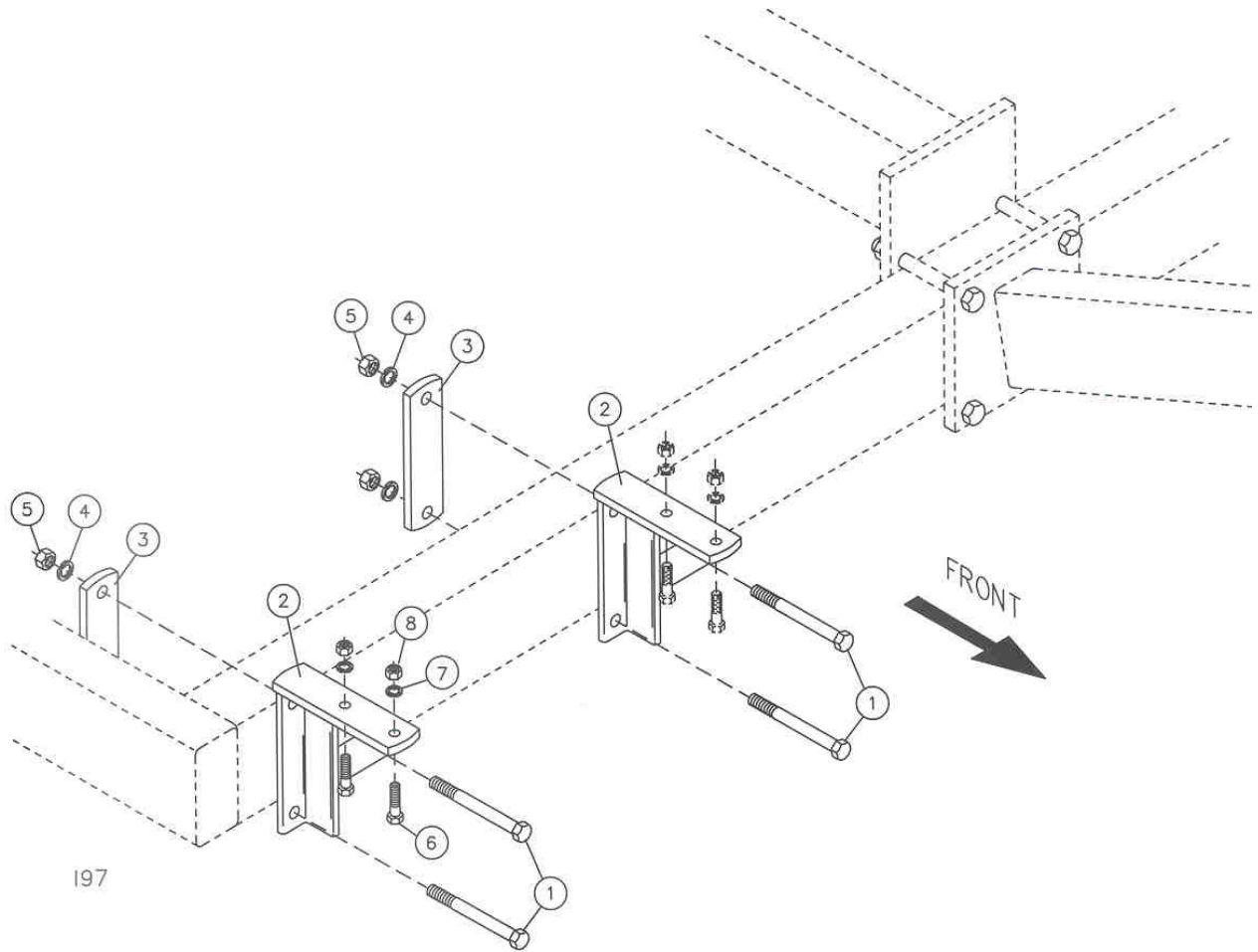


## 6001-195 – MARKER MOUNTING KIT, CASE IH 5200/5400

KEY	QTY.	PART NO.	DESCRIPTION
1	2	6001-266	R.H. MARKER MOUNT W.A., IH 5200 (SHOWN)
	2	6001-267	L.H. MARKER MOUNT W.A., IH 5200
2	4	2570-478	3/4 X 7 X 9 U-BOLT ZYD
3	8	2525-501	3/4 MED LOCK WASHER ZYD
4	8	2520-504	3/4-10 HEX NUT ZYD
5	8	2502-317	1/2-13 X 1 3/4 HHCS GR 5 ZYD
6	8	2525-352	1/2 MED LOCK WASHER ZYD
7	8	2520-352	1/2-13 HEX NUT ZYD



# PARTS IDENTIFICATION

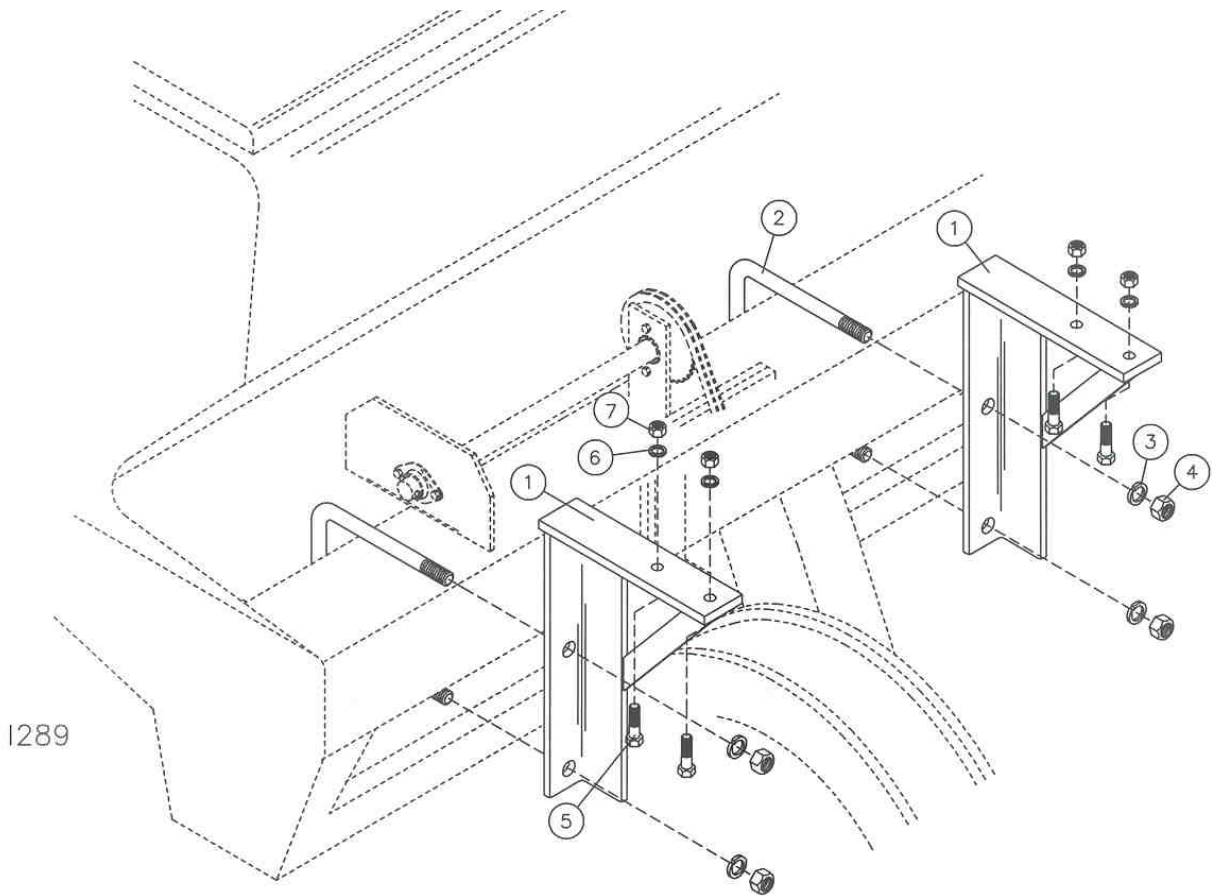


**NOTE:** May also be used on 4 x 4 toolbar.

## 6001-198 – MARKER MOUNTING KIT, JD 750, 1560, 1590 - 30 FT. MARKERS

KEY	QTY.	PART NO.	DESCRIPTION
1	8	2502-335	5/8-11 X 6 HHCS GR 5 ZYD
2	4	6001-268	MOUNTING ANGLE W.A., JD 750
3	4	6001-470	CLAMP PLATE, JD 750
4	8	2525-451	5/8 MED LOCK WASHER ZYD
5	8	2520-452	5/8-11 HEX NUT ZYD
6	8	2502-317	1/2-13 X 1 3/4 HHCS GR 5 ZYD
7	8	2525-352	1/2 MED LOCK WASHER ZYD
8	8	2520-352	1/2-13 HEX NUT ZYD

## PARTS IDENTIFICATION

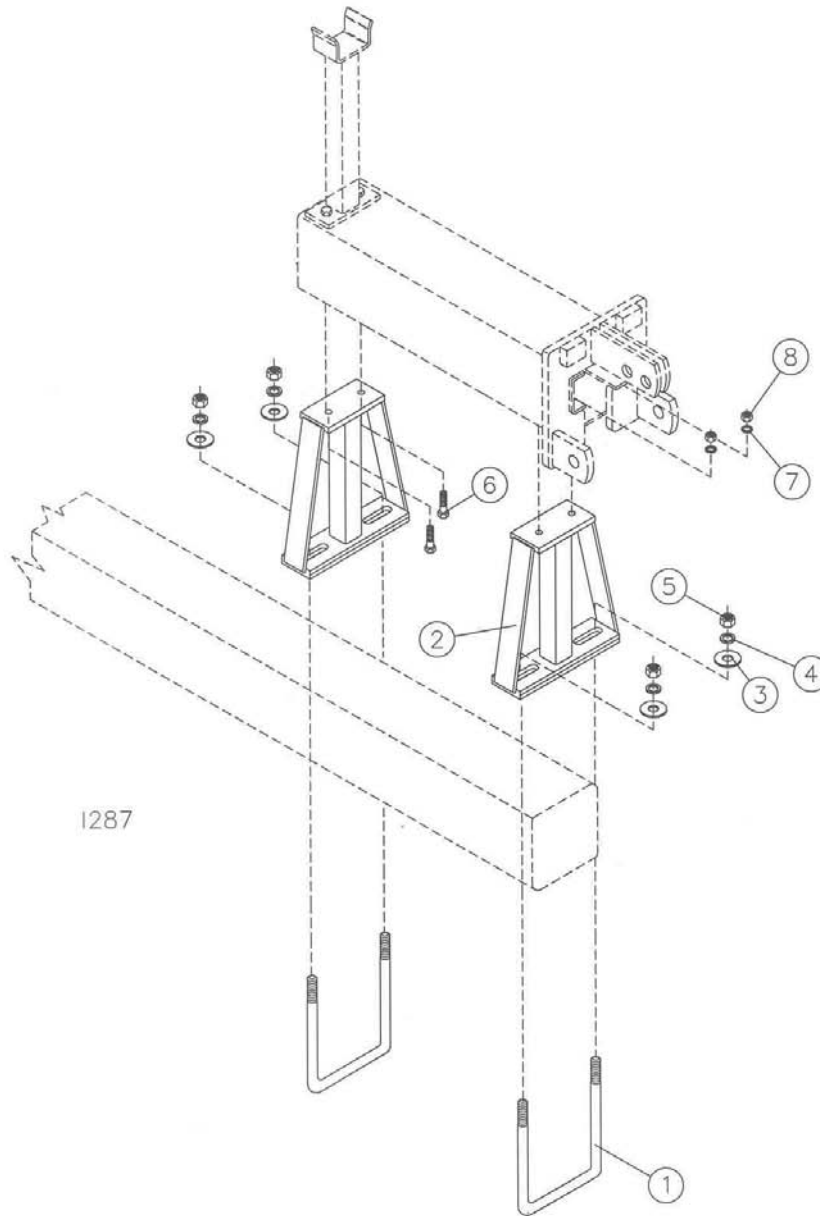


### 6100-108 MOUNTING KIT, G.P. 2000 SERIES

KEY	QTY.	PART NO.	DESCRIPTION
1	4	6100-217	MOUNT ANGLE, (G.P. 2000) W.A.
2	4	2570-064	3/4 X 6 X 8 U-BOLT, ZP.
3	8	2525-501	3/4 MED. LOCKWASHER, ZP.
4	8	2520-504	3/4-10 HEX NUT, ZP.
5	8	2502-317	1/2-13 X 1 3/4" HHCS GR.5, ZP.
6	8	2525-352	1/2 MED. LOCKWASHER, ZP.
7	8	2520-352	1/2-13 HEX NUT, ZP.

# PARTS IDENTIFICATION

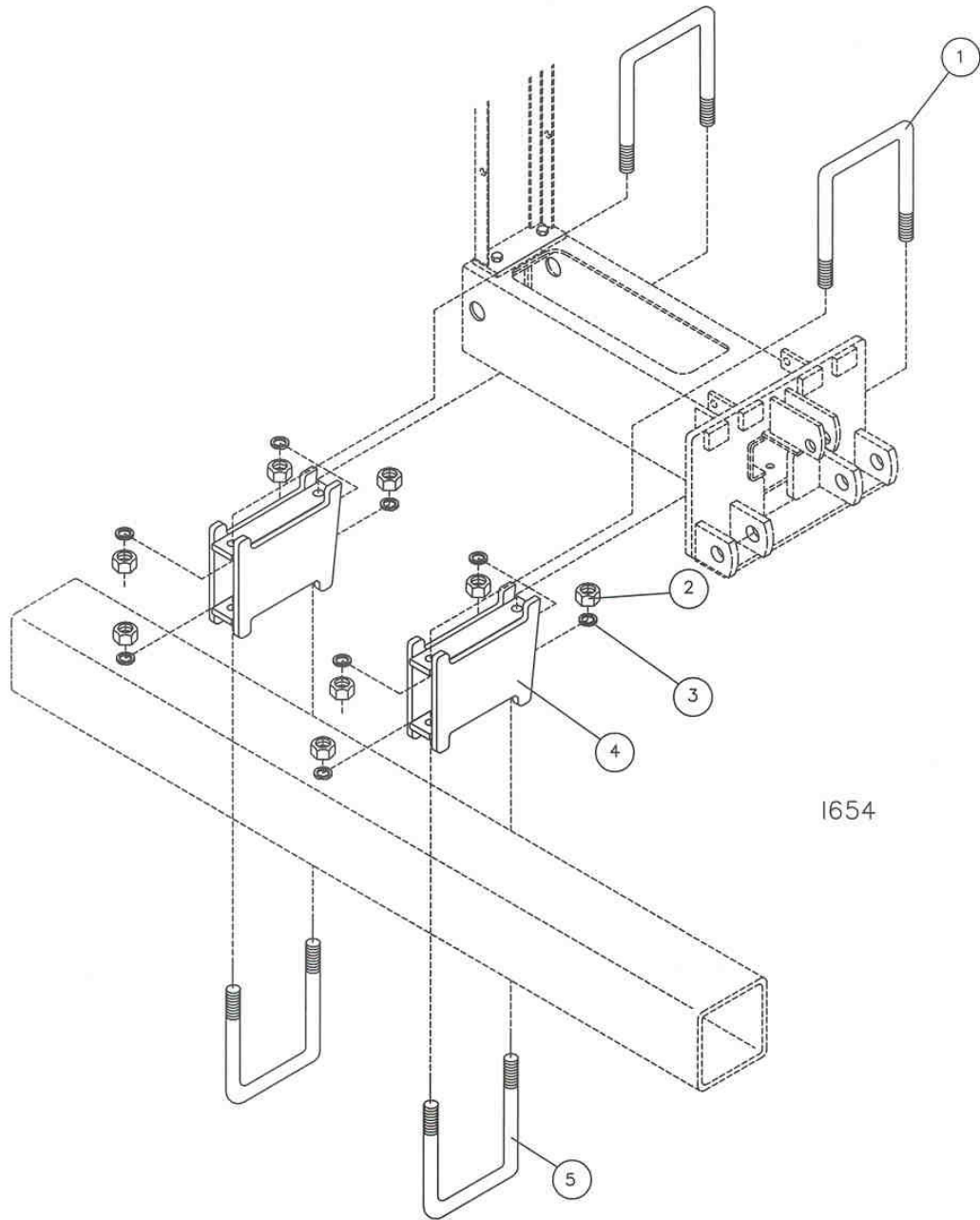
**NOTE:** ON PLANTERS, 6001-022 MOUNTING KIT  
MAY BE USED WHEN TRYING TO CLEAR FERTILIZER TANKS.



## 6100-110 – PLANTER MARKER KIT 5 X 7, 7 X 7 TOOLBAR

KEY	QTY.	PART NO.	DESCRIPTION
1	4	2570-478	3/4 X 7 X 9 U-BOLT ZYD
2	4	6100-213	MOUNTING BRACKET W.A. PLANTER
3	8	2526-501	3/4 STANDARD FLAT WASHER ZYD
4	8	2525-501	3/4 MED LOCK WASHER ZYD
5	8	2520-504	3/4-10 HEX NUT ZYD
6	8	2502-317	1/2-13 X 1 3/4 HHCS GR 5 ZYD
7	8	2525-352	1/2 MED LOCK WASHER ZYD
8	8	2520-352	1/2-13 HEX NUT ZYD

## PARTS IDENTIFICATION



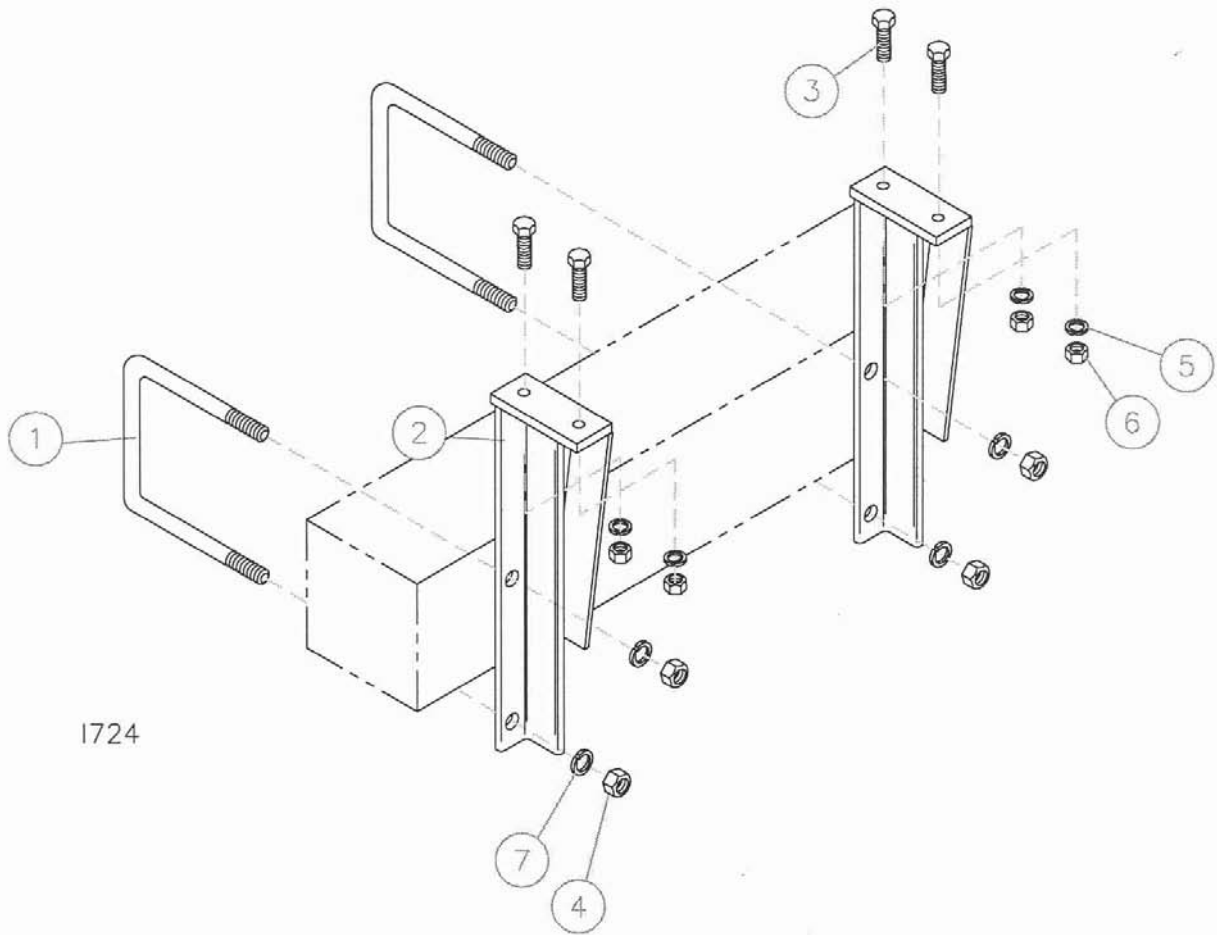
### 6150-090 – MARKER MOUNT KIT

KEY	QTY	PART NO.	DESCRIPTION
1	4	2570-771	5/8 X 8 X 10 U-BOLT ZYD
2	16	2520-452	5/8 - 11 HEX NUT ZP
3	16	2525-451	5/8 MED LOCKWASHER
4	4	6150-285	MARKER TUBE MOUNT W.A.
5	4	2570-626	5/8 X 7 X 9 U-BOLT, ZYD

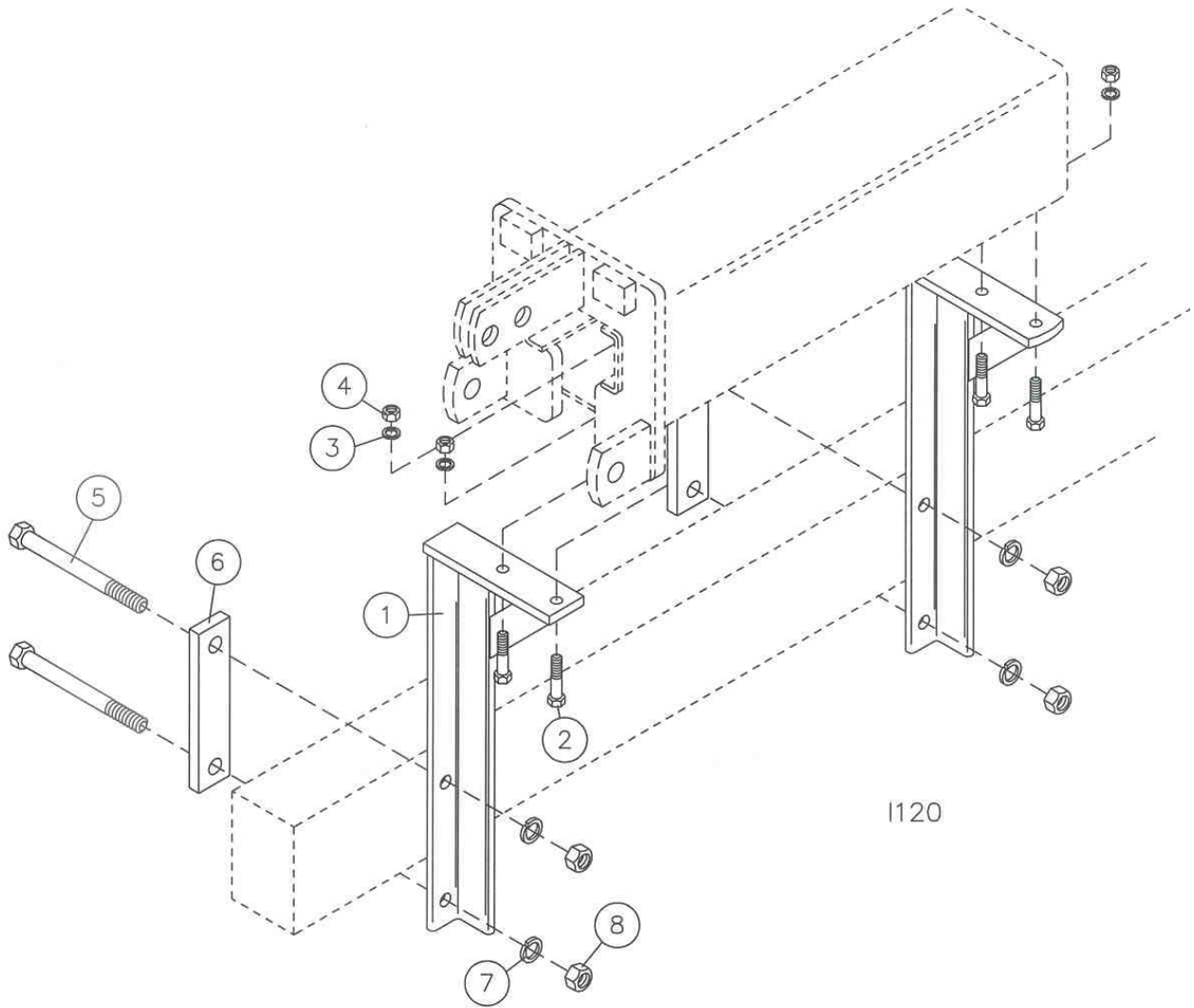
# PARTS IDENTIFICATION

## 6150-091 - MARKER MOUNT KIT, WHITE 6000

Key	Qty.	Part No.	Description
1	4	2570-478	3/4 X 7" X 9" U-BOLT ZYD
2	4	6150-288	MARKER MOUNT W.A., WHITE 6000
3	8	2502-317	1/2-13 X 1 3/4" HHCS GR.5 ZYD
4	8	2520-504	3/4-10 HEX NUT ZYD
5	8	2525-352	1/2 MED. LOCKWASHER ZYD
6	8	2520-352	1/2-13 HEX NUT ZYD
7	8	2525-501	3/4 MED LOCKWASHER ZYD



# PARTS IDENTIFICATION

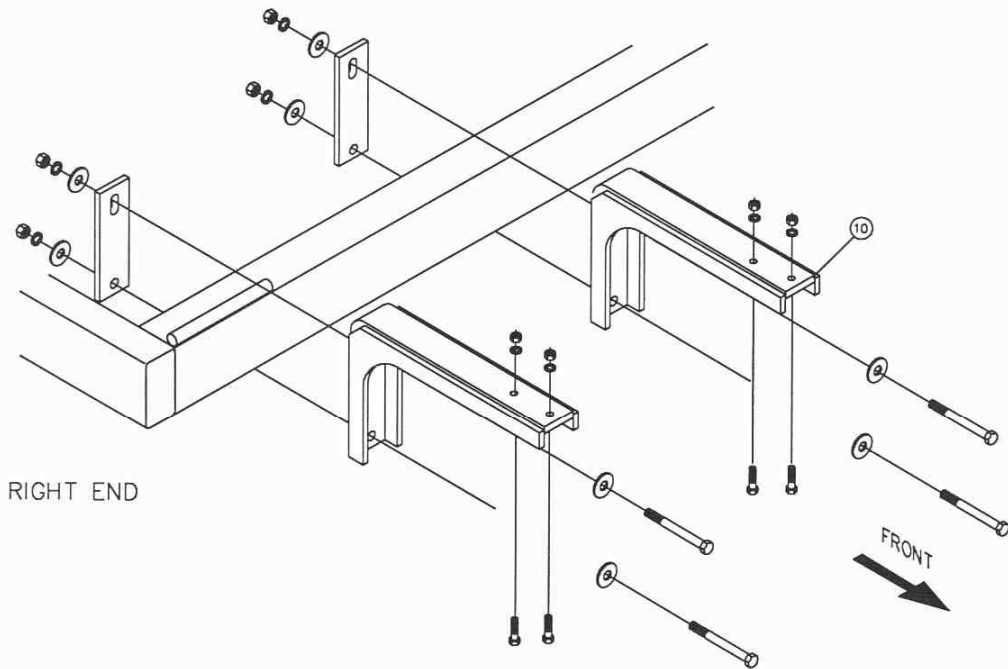
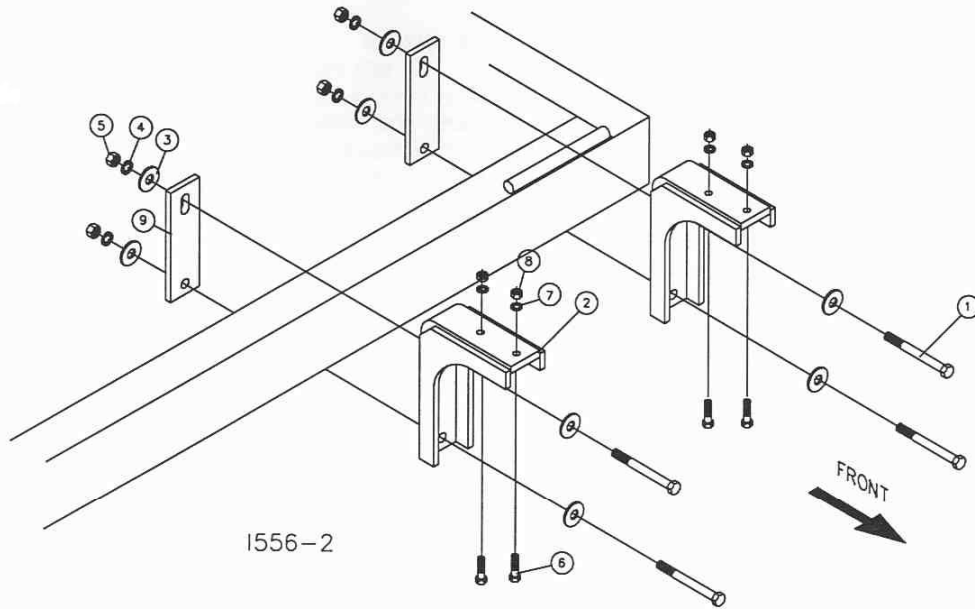


## 6150-101 – DMI 4 X 6 MARKER MTG. KIT

KEY	QTY.	PART NO.	DESCRIPTION
1	4	6150-229	MOUNT ANGLE, DMI W.A.
2	8	2502-317	1/2-13 X 1-3/4 HHCS GR 5 ZYD
3	8	2525-352	1/2 MED. LOCKWASHER ZP.
4	8	2520-352	1/2-13 HEX NUT ZP.
5	8	2502-510	3/4-10 X 6 HHCS GR 5 ZYD
6	4	6150-363	CLAMP PLATE 6 X 6 BAR
7	8	2525-501	3/4 MED LOCKWASHER ZYD
8	8	2520-504	3/4-10 HEX NUT ZYD

# PARTS IDENTIFICATION

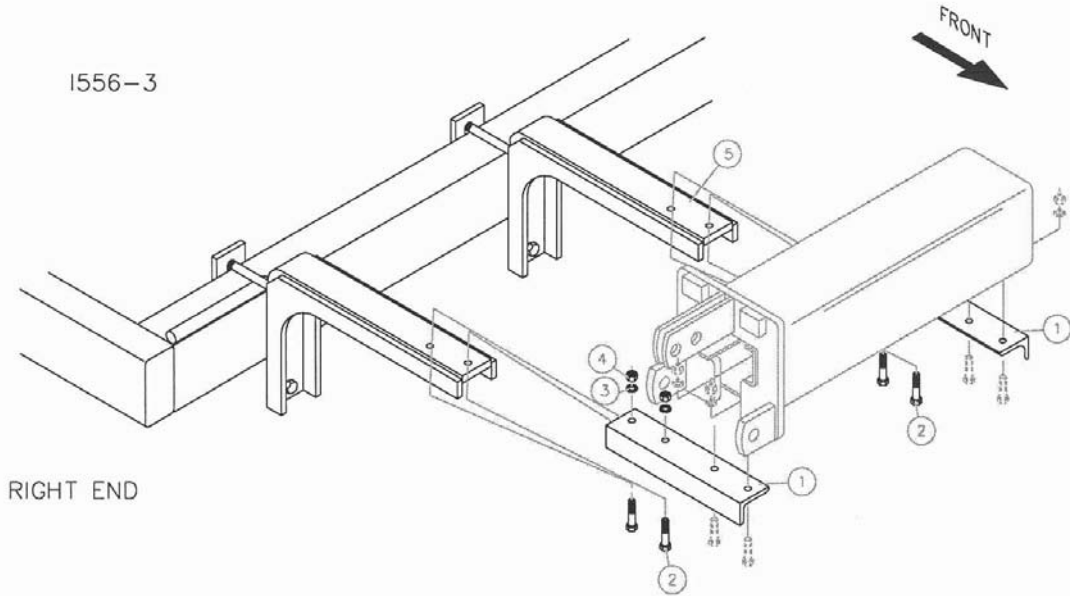
6150-162 MARKER MOUNTING, JD 1690/1890



KEY	QTY	PART NO.	DESCRIPTION
1	8	2502-510	3/4-10 X 6" HHCS GR.5 ZP
2	2	6001-284	MARKER MOUNT<SHORT>
3	8	2526-501	3/4 STD. FLATWASHER ZP
4	8	2525-501	3/4 MED. LOCKWASHER ZP
5	8	2520-504	3/4-10 HEX NUT ZP
6	8	2502-296	1/2-13 X 2-1/2" HHCS GR. 5 ZP
7	8	2525-352	1/2 MED. LOCKWASHER ZP
8	8	2520-352	1/2-13 HEX NUT ZP
9	4	6001-493	MARKER MOUNT CLAMP PLATE
10	2	6150-286	MARKER MOUNT<LONG>

# PARTS IDENTIFICATION

6150-165 6" EXTENSION BRACKET KIT



KEY	QTY	PART NO.	DESCRIPTION
1	2	6150-475	MARKER EXTENSION
2	4	2502-351	1/2-13 X 2 HHCS GR.5
3	4	2525-352	1/2 MED LOCKWASHER
4	4	2520-352	1/2-13 HEX NUT
5	2	6150-286	MARKER MOUNT (LONG) REFERENCE ONLY

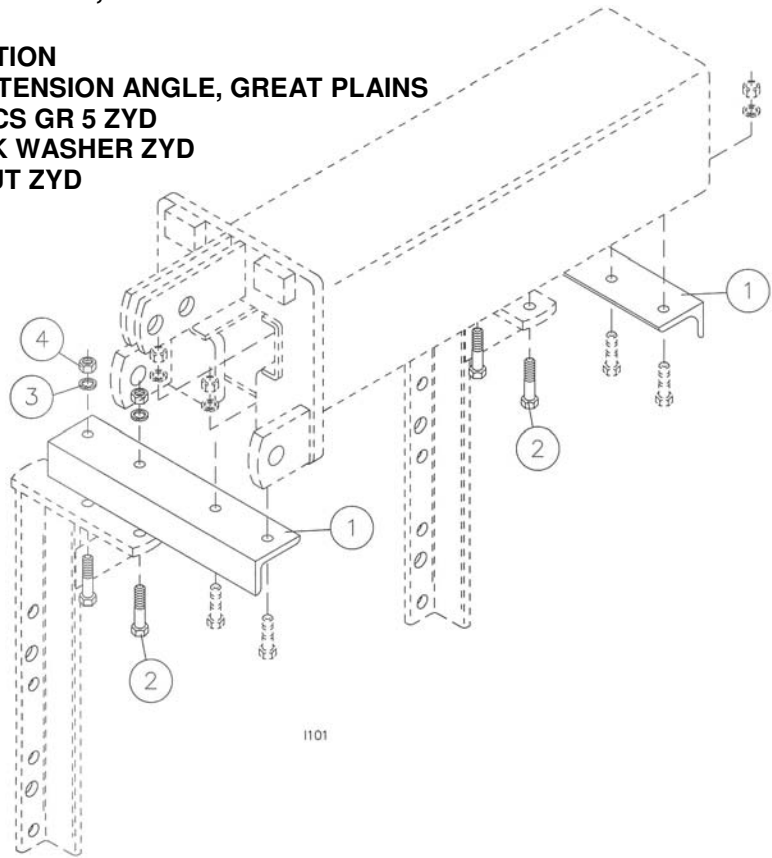


# MARKER EXTENSION KITS

(FOR USE WITH GRASS SEEDER ATTACHEMENTS)

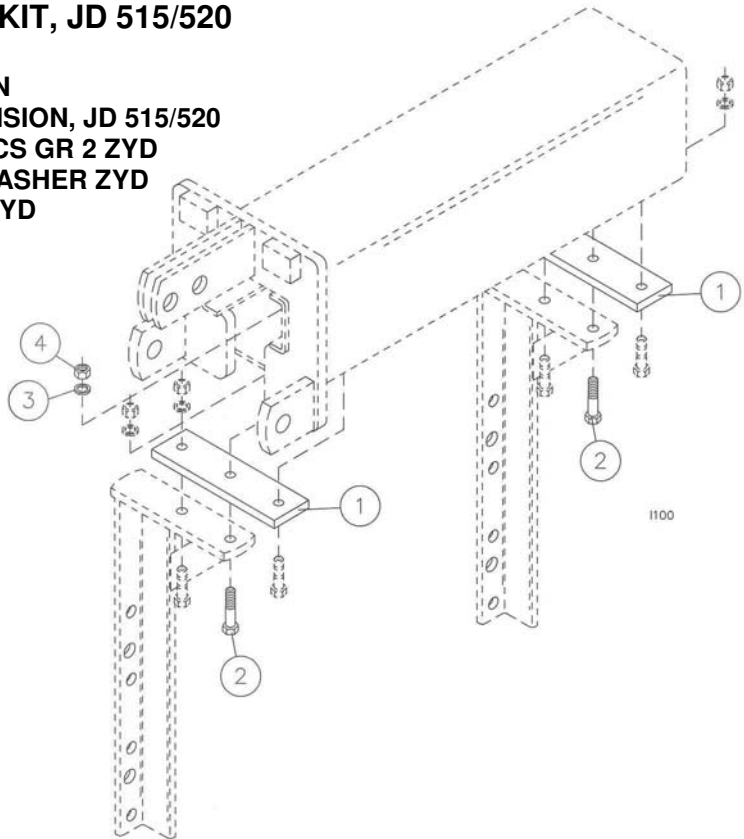
## 6001-179 – MARKER EXTENSION KIT, GREAT PLAINS

KEY	QTY.	PART NO.	DESCRIPTION
1	4	6001-459	MARKER EXTENSION ANGLE, GREAT PLAINS
2	8	2502-351	1/2-13 X 2 HHCS GR 5 ZYD
3	8	2525-352	1/2 MED LOCK WASHER ZYD
4	8	2520-352	1/2-13 HEX NUT ZYD

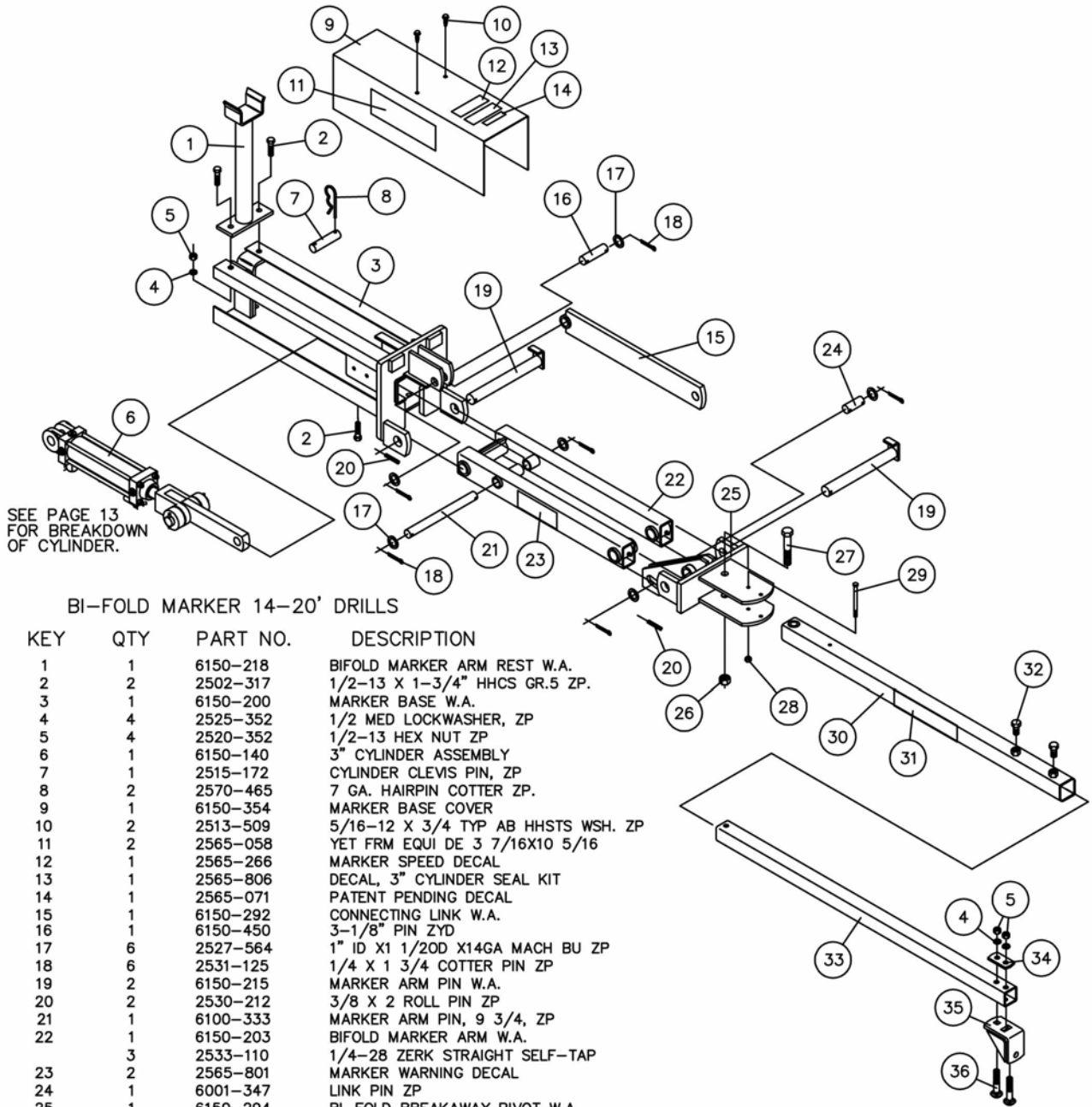


## 6001-199 – MARKER EXTENSION KIT, JD 515/520

KEY	QTY.	PART NO.	DESCRIPTION
1	4	6001-476	MARKER EXTENSION, JD 515/520
2	4	2502-296	1/2-13 X 2-1/2 HHCS GR 2 ZYD
3	4	2525-352	1/2 MED LOCK WASHER ZYD
4	4	2520-352	1/2-13 HEX NUT ZYD



# PARTS IDENTIFICATION

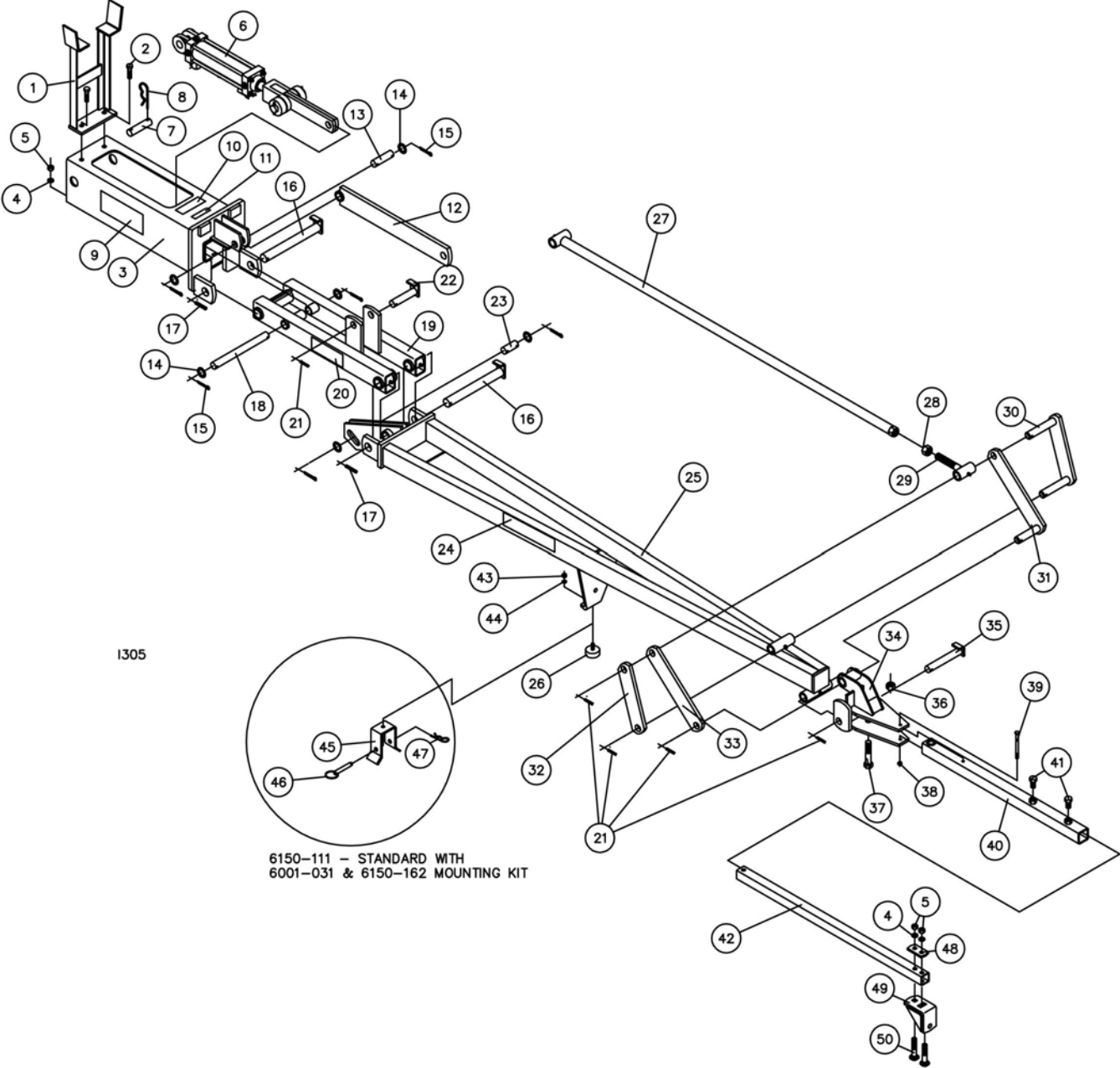


BI-FOLD MARKER 14-20' DRILLS

KEY	QTY	PART NO.	DESCRIPTION
1	1	6150-218	BIFOLD MARKER ARM REST W.A.
2	2	2502-317	1/2-13 X 1-3/4" HHCS GR.5 ZP.
3	1	6150-200	MARKER BASE W.A.
4	4	2525-352	1/2 MED LOCKWASHER, ZP
5	4	2520-352	1/2-13 HEX NUT ZP
6	1	6150-140	3" CYLINDER ASSEMBLY
7	1	2515-172	CYLINDER CLEVIS PIN, ZP
8	2	2570-465	7 GA. HAIRPIN COTTER ZP.
9	1	6150-354	MARKER BASE COVER
10	2	2513-509	5/16-12 X 3/4 TYP AB HHSTS WSH. ZP
11	2	2565-058	YET FRM EQUI DE 3 7/16X10 5/16
12	1	2565-266	MARKER SPEED DECAL
13	1	2565-806	DECAL, 3" CYLINDER SEAL KIT
14	1	2565-071	PATENT PENDING DECAL
15	1	6150-292	CONNECTING LINK W.A.
16	1	6150-450	3-1/8" PIN ZYD
17	6	2527-564	1" ID X1 1/20D X14GA MACH BU ZP
18	6	2531-125	1/4 X 1 3/4 COTTER PIN ZP
19	2	6150-215	MARKER ARM PIN W.A.
20	2	2530-212	3/8 X 2 ROLL PIN ZP
21	1	6100-333	MARKER ARM PIN, 9 3/4, ZP
22	1	6150-203	BIFOLD MARKER ARM W.A.
23	3	2533-110	1/4-28 ZERK STRAIGHT SELF-TAP
24	2	2565-801	MARKER WARNING DECAL
25	1	6001-347	LINK PIN ZP
26	1	6150-294	BI-FOLD BREAKAWAY PIVOT W.A.
27	1	2520-515	3/4-10 LOCK HEX NUT ZP
28	1	2502-406	3/4-10 X 4-1/2 HHCS GR 5 ZP
29	1	2520-205	5/16-18 LOCK HEX NUT ZP
30	1	2502-223	5/16-18 X 4 HHCS GR 2 ZP
31	1	6150-202	PIVOT TUBE, 15-20 & 30-35
32	2	2565-800	MARKER DANGER DECAL
33	2	2503-379	5/8-11 X 1 SQ HCPSS GR 5 ZP
34	1	6001-483	BI-FOLD SLIDE TUBE
35	1	6001-481	CLAMP PLATE
36	1	6001-270	TRI-FOLD MARKER DISC BRKT W.A.
36	2	2505-348	1/2-13 X 3 1/2 CAR BLT GR 5 ZYD

1304-1

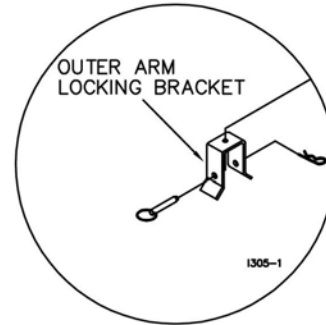
# PARTS IDENTIFICATION



# PARTS IDENTIFICATION

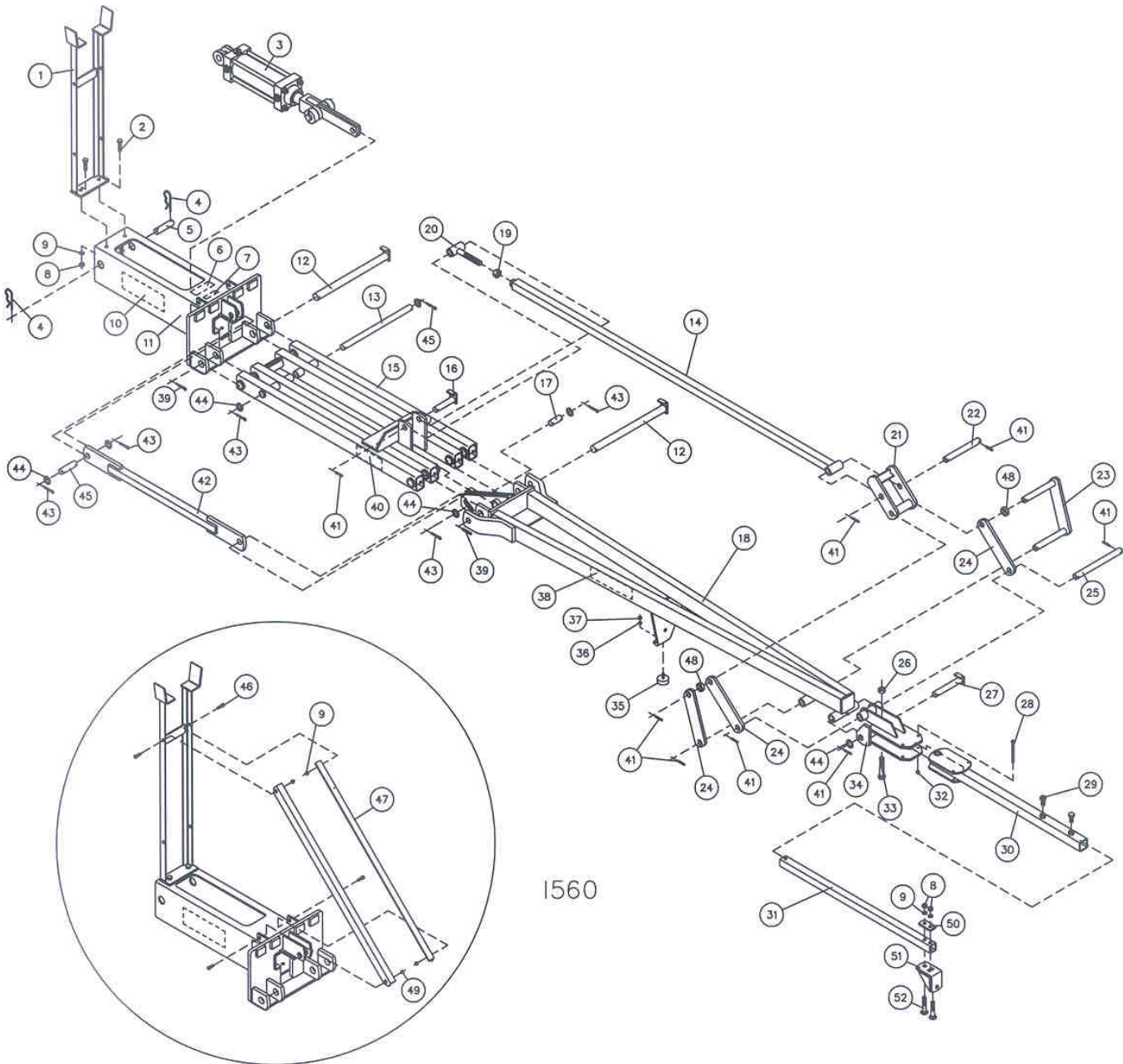
## TRI-FOLD MARKER 24-35' DRILLS

KEY	QTY	PART NO.	DESCRIPTION
1	1	6150-206	TRI-FOLD MARKER ARM REST
2	2	2502-317	1/2"-13 X 1-3/4" HHCS GR.5
3	1	6150-236	TRI-FOLD MARKER BASE
4	4	2525-352	1/2" LOCKWASHER
5	4	2520-352	1/2" HEX NUT
6	1	6150-145	3" CYLINDER ASSEMBLY 24'&30'
	1	6150-146	3-1/2" CYLINDER ASSEMBLY 35'
7	1	2515-172	CYLINDER CLEVIS PIN
8	2	2570-465	7 GA. HAIRPIN COTTER
9	2	2565-058	YETTER FARM EQUIPMENT 3-7/16"X10-5/16"
10	1	2565-806	DECAL, 3" CYLINDER SEAL KIT 24'&30'
	1	2565-810	DECAL, 3 1/2" CYLINDER SEAL KIT 35'
11	1	2565-071	PATENT PENDING DECAL
12	1	6150-292	CONNECTING LINK W.A.
13	1	6150-450	3-1/8" PIN ZYD
14	6	2527-564	BUSHING 1" ID X1-1/2"OD X14GA
15	6	2531-125	1/4" X 1-3/4" COTTER PIN
16	2	6150-215	MARKER ARM PIN
17	2	2530-212	3/8" X 2" ROLL PIN
18	1	6100-333	MARKER ARM PIN, 9-3/4"
19	1	6150-207	TRI-FOLD MARKER ARM
	3	2533-110	1/4"-28 ZERK STRAIGHT SELF-TAP
20	2	2565-801	MARKER WARNING DECAL
21	5	2530-152	1/4" X 1-1/2" ROLL PIN
22	1	6150-217	TRI-FOLD PIPE PIN
23	1	6001-347	LINK PIN
24	2	2565-800	MARKER DANGER DECAL
25	1	6150-219	24' MID-ARM
	1	6150-212	30' MID-ARM
	1	6150-224	35' MID-ARM
26	1	1300-507	RUBBER FOOT
27	1	6150-220	24' MID-ARM PIPE
	1	6150-208	30' MID-ARM PIPE
	1	6150-225	35' MID-ARM PIPE
28	1	2520-544	7/8"-9 HEX NUT
29	1	6150-213	PIPE ADJUST
30	1	6150-222	SMALL FOLDING LINK
31	1	6150-223	LARGE FOLDING LINK
32	1	6150-320	SMALL FOLDING LINK
33	1	6150-322	LARGE FOLDING LINK ZP
34	1	6150-249	TRI-FOLD BREAKAWAY
35	1	6150-216	TRI-FOLD BREAKAWAY PIN
36	1	2520-515	3/4"-10 LOCK HEX NUT ZP
37	1	2502-406	3/4"-10 X 4-1/2" HHCS GR 5
38	1	2520-205	5/16"-18 LOCK HEX NUT
39	1	2502-224	5/16"-18 X 4" HHCS GR 5
40	1	6150-247	PIVOT TUBE 24'
	1	6150-202	PIVOT TUBE, 15'-20' & 30'-35'
41	2	2503-379	5/8"-11 X 1" SQ. HCPSS GR 5
42	1	6150-402	TRI-FOLD SLIDE TUBE
	1	6150-401	35' TRI-FOLD SLIDE TUBE
43	1	2520-251	3/8"-16 HEX NUT
44	1	2525-251	3/8" LOCKWASHER
45	1	6150-385	OUTER ARM LOCK BRACKET
46	1	2984-320	PIN
47	1	2570-448	HAIRPIN COTTER
48	1	6001-481	CLAMP PLATE
49	1	6001-270	DISC BRACKET
50	2	2505-348	1/2"-13 X 3-1/2" CARRIAGE BOLT GR 5



6150-111 - STANDARD WITH  
6001-031 & 6150-162 MOUNTING KITS

# PARTS IDENTIFICATION



1560

6/98 TO 6/04

## PARTS IDENTIFICATION

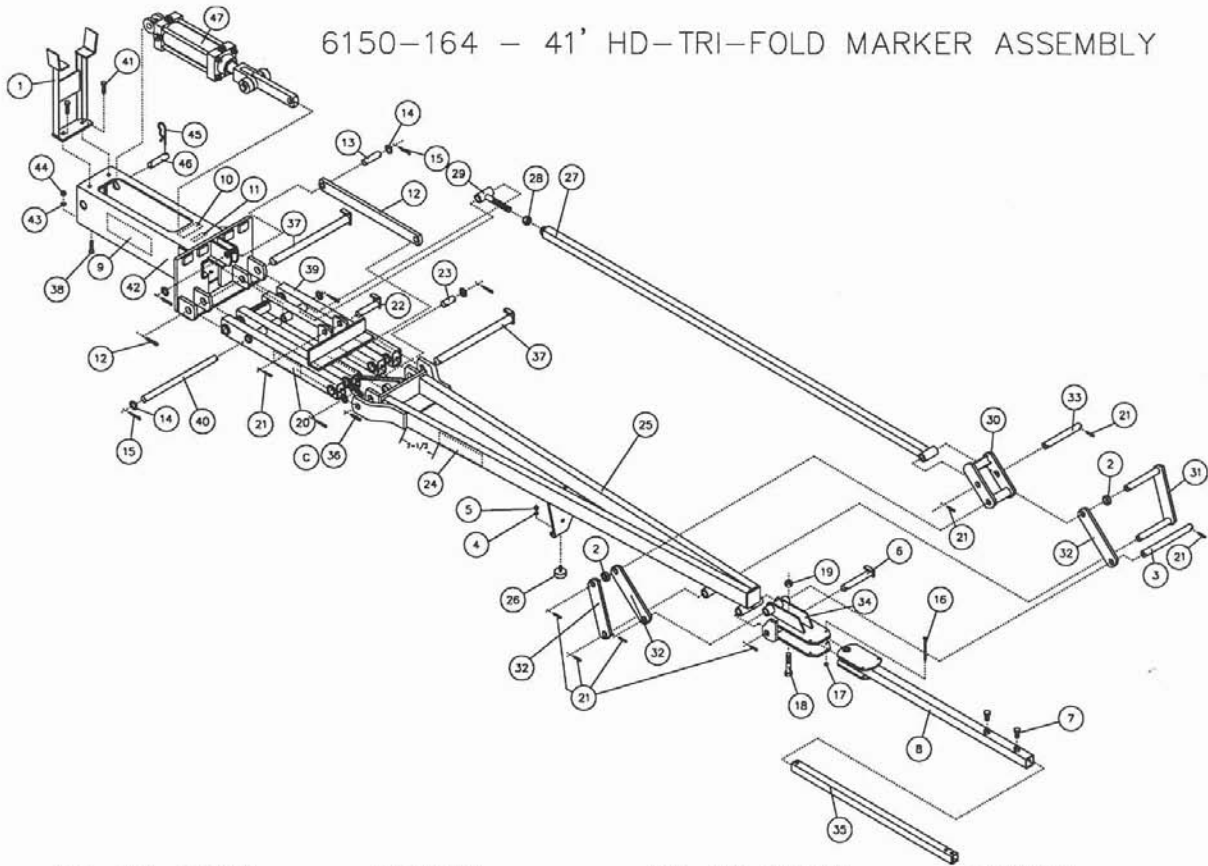
### 6150-128 41' TRI-FOLD MARKER ASSY.

KEY	QTY	PART NO.	DESCRIPTION
1	1	6150-264	TRI-FOLD MARKER ARM REST W.A.
2	2	2502-317	1/2-13 X 1-3/4" HHCS GR.5 ZP.
3	1	6150-129	41, MARKER 4" CYL ASSY.
4	2	2570-465	7 GA. HAIRPIN COTTER ZP.
5	1	2515-172	CYLINDER CLEVIS PIN, ZP
6	1	2565-812	DECAL, 4" CYLINDER SEAL KIT
7	1	2565-071	PATENT PENDING DECAL
8	2	2520-352	1/2-13 HEX NUT ZP
9	2	2525-352	1/2 MED LOCKWASHER, ZP
10	2	2565-058	YET FRM EQUI DE 3 7/16X10 5/16
11	1	6150-272	41' MARKER BASE W.A.
12	2	6150-254	41' MARKER ARM PIN W.A. ZYD
13	1	6150-418	41' MARKER ARM PIN 16-13/16", ZYD
14	1	6150-255	41' MID-ARM PIPE W.A.
15	1	6150-265	41' MARKER ARM W.A.
16	1	6150-217	TRI-FOLD PIPE PIN W.A. ZP
17	1	6001-347	LINK PIN ZP
18	1	6150-263	41' MID ARM W.A.
19	1	2520-544	7/8-9 HEX NUT ZP
20	1	6150-213	PIPE ADJUST W.A.
21	1	6150-275	PIVOT BRACKET WA
22	1	6150-449	5-29/32" PIN ZYD
23	1	6150-278	41' LINK W.A.
24	3	6150-455	41' LINKS
25	1	6150-448	6-25/32" PIN ZYD
26	1	2520-515	3/4-10 LOCK HEX NUT ZP
27	1	6150-216	TRI-FOLD BREAKAWAY PIN W.A. ZP
28	1	2502-227	5/16-18 X 5 1/4 HHCS GR 5 ZP
29	2	2503-379	5/8-11 X 1 SQ HCPSS GR 5 ZP
30	1	6150-277	41' TRI-FOLD PIVOT TUBE W.A.
31	1	6150-447	41' TRI-FOLD SLIDE TUBE
32	1	2520-205	5/16-18 LOCK HEX NUT ZP
33	1	2502-508	3/4-10 X 5 1/2 HHCS GR 5 ZP
34	1	6150-276	TRI-FOLD BREAKAWAY W.A.
35	1	1300-507	RUBBER FOOT
36	1	2525-251	3/8 MED. LOCKWASHER ZP
37	1	2520-251	3/8-16 HEX NUT ZP
38	2	2565-800	MARKER DANGER DECAL
39	2	2530-212	3/8 X 2 ROLL PIN ZP
40	2	2565-801	MARKER WARNING DECAL
41	8	2530-152	1/4 X 1 1/2 ROLL PIN ZP
42	1	6150-270	CONNECTING LINK W.A.
43	6	2531-125	1/4 X 1 3/4 COTTER PIN ZP
44	7	2527-564	1" ID X1 1/20D X14GA MACH BU ZP
45	1	6150-450	3-1/8" PIN ZYD
46	4	2502-300	1/2-13 X 1 1/4" HHCS GR.5 ZP
47	2	6150-432	DIAGONAL BRACE
48	2	6150-458	1/2" SPACER (1.5 OD X 1.02 ID)
49	4	2520-357	1/2-13 LOCK HEX NUT ZP
50	1	6001-481	CLAMP PLATE
51	1	6001-270	TRI-FOLD MARKER DISC BRKT W.A.
52	2	2505-348	1/2-13 X 3 1/2 CAR BLT GR 5 ZYD

**6/98 TO 6/04**

# PARTS IDENTIFICATION

## 6150-164 - 41' HD-TRI-FOLD MARKER ASSEMBLY



DET	QTY	PART NO.	DESCRIPTION	DET	QTY	PART NO.	DESCRIPTION
1	1	6150-206	TRI-FOLD ARM SUPPORT	25	1	6150-263	41' HD TRI-FOLD MID-ARM
2	2	6150-458	1/2" SPACER (1.5" OD X 1.02" ID)	26	1	1300-507	RUBBER FOOT
3	1	6150-448	6-25/32" PIN	27	1	6150-255	41' MID-ARM PIPE
4	1	2525-251	3/8" LOCKWASHER	28	1	2520-544	7/8-9 HEX NUT
5	1	2520-251	3/8"-16 HEX NUT	29	1	6150-213	PIPE ADJUST
6	1	6150-216	TRI-FOLD BREAKAWAY PIN	30	1	6150-275	PIVOT BRACKET
7	2	2503-379	5/8"-11 X 1" SQ HCPSS GR 5	31	1	6150-278	41' LINK
8	1	6150-283	35' HD TRI-FOLD PIVOT TUBE	32	3	6150-455	41' LINK PLATE
9	2	2565-058	YET FRM EQUIP 3-7/16"X10-5/16"	33	1	6150-449	5-29/32" PIN
10	1	2565-814	DECAL, 4" CYLINDER SEAL KIT	34	1	6150-276	41' TRI-FOLD BREAKAWAY
11	1	2565-071	PATENT PENDING DECAL	35	1	6150-472	MARKER EXTENSION TUBE, 41'
12	1	6150-473	CONNECTING LINK, 41'	36	2	2530-212	3/8" X 2" ROLL PIN
13	1	6150-450	3-1/8" PIN	37	2	6150-254	41' MARKER ARM PIN
14	6	2527-564	WASHER,1" IDX1-1/2"OD X14GA	38	2	2502-296	1/2"-13 X 2-1/2" HHCS GR. 5
15	6	2531-125	1/4"X 1-3/4" COTTER PIN	39	1	6150-279	TRI-FOLD MARKER ARM
16	1	2502-227	5/16"-18 X 5-1/4" HHCS GR 5	7	2533-110	1/4"-28 ZERK STRAIGHT SELF-TAP	
17	1	2520-205	5/16"-18 LOCK HEX NUT	40	1	6150-418	MARKER ARM PIN,16-13/16"
18	1	2502-508	3/4"-10 X 5-1/2" HHCS GR 5	41	2	2502-317	1/2"-13 X 1-3/4" HHCS GR. 5
19	1	2520-515	3/4"-10 LOCK HEX NUT	42	1	6150-287	41' TRI-FOLD MARKER BASE
20	2	2565-801	MARKER WARNING DECAL	43	4	2525-352	1/2" LOCKWASHER
21	8	2530-152	1/4" X 1-1/2" ROLL PIN	44	4	2520-352	1/2"-13 HEX NUT
22	1	6150-217	TRI-FOLD PIPE PIN	45	2	2570-465	7 GA. HAIRPIN COTTER
23	1	6001-347	LINK PIN	46	1	2515-172	CYLINDER CLEVIS PIN
24	2	2565-800	MARKER DANGER DECAL	47	1	6150-129	4" CYLINDER ASSEMBLY 41'

8/04-PRESENT



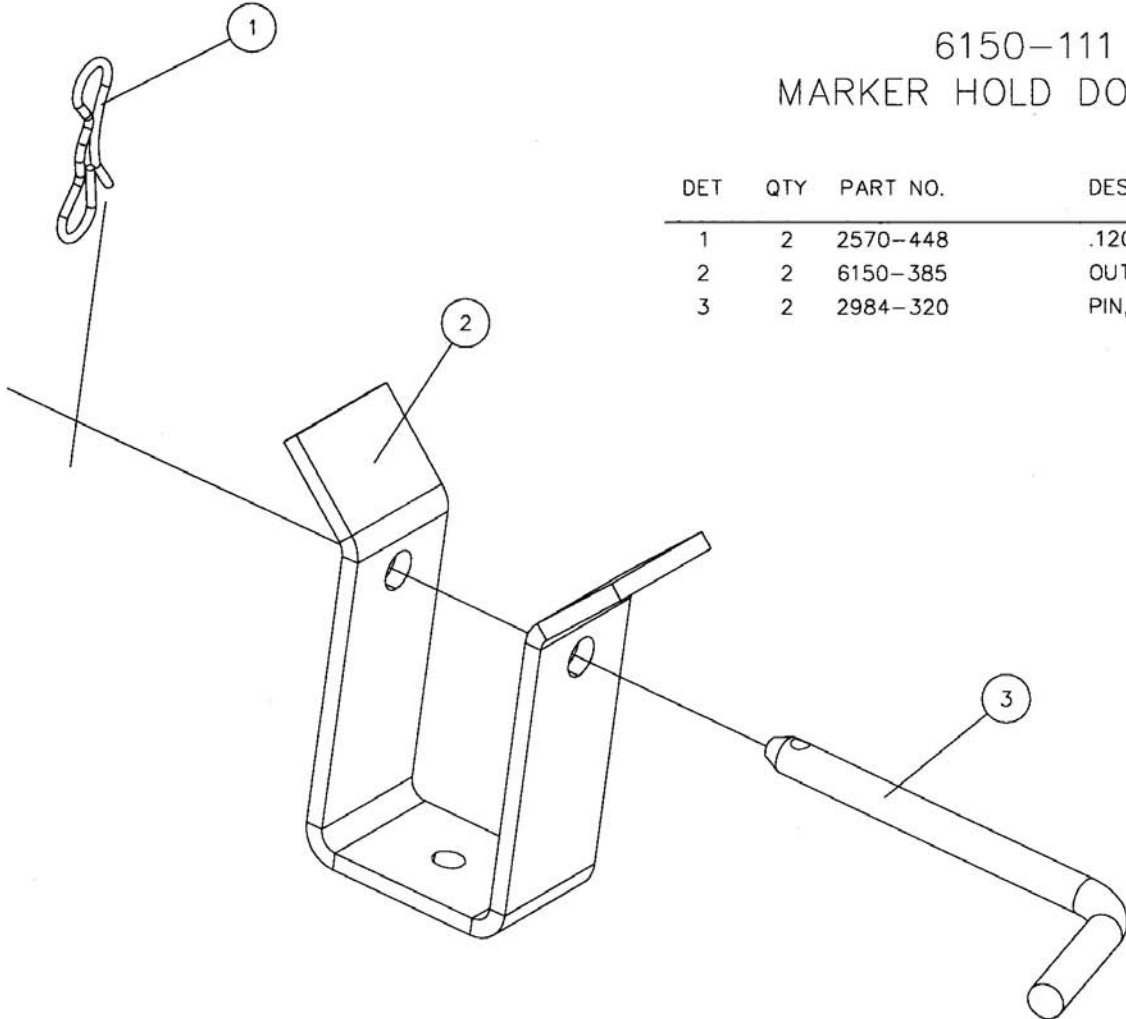
## TROUBLESHOOTING

Problem	Cause	Solution
Markers do not function correctly	Markers raise and lower voluntarily	<p>Check tractor hydraulic system</p> <p>Check hydraulic hose couplings</p> <p>Purge air from hydraulic system see Installation: hydraulic hoses</p> <p>Hydraulic cylinder failure, repair as necessary</p> <p>Check sequence valve for dirt or damage.</p>
Marker blade does not leave good enough mark	Blade not moving sufficient dirt	<p>Adjust angle of blade to be more aggressive.</p> <p>Use notched marker blade, 6001-495. (6001-610 w/depth band assembly.)</p> <p>Reverse blades on hubs to push dirt out.</p>
Both markers activate at same time	Sequence valve not operating	<p>Air in hydraulic lines</p> <p>Check for dirt in spool or replace sequence valve</p>
Marker blade digging too much dirt	Blade set at incorrect angle	Adjust angle of blade to be less aggressive
Tri-fold marker will not raise from operating position	Not enough hydraulic pressure	<p>Check and repair tractor hydraulic pump (2400 PSI minimum)</p> <p>Replace hydraulic cylinder with ½" larger diameter cylinder. Example: replace a 3" x 8" cylinder with a 3-1/2" x 8" cylinder</p>



# PARTS IDENTIFICATION

## 6150-111 MARKER HOLD DOWN KIT



DET	QTY	PART NO.	DESCRIPTION
1	2	2570-448	.120 BOWTIE LOCKING COTTER
2	2	6150-385	OUTER ARM LOCK BRKT
3	2	2984-320	PIN, SKID ADJUSTMENT ZYD

1778

## NOTES:

## NOTES:

# Our name Is getting known

**J**ust a few years ago, Yetter products were sold primarily to the Midwest only. Then we embarked on a program of expansion and moved into the East, the South, the West and now north into Canada. We're even getting orders from as far away as Australia and Africa.

**S**o, when you buy Yetter products . . .you're buying a name that's recognized. A name that's known and respected. A name that's become a part of American agriculture and has become synonymous with quality and satisfaction in the field of conservation tillage.

**T**hank you.

**YETTER MANUFACTURING CO.**  
Colchester, IL 62326-0358 ☎ 309/776-4111  
Toll Free 800/447-5777  
Fax 309/776-3222  
Website: [www.yetterco.com](http://www.yetterco.com)  
E-mail: [info@yetterco.com](mailto:info@yetterco.com)

2565-376\_REV\_F  
☎ 11/16