



TITAN™ SERIES
2960 U.N.T.™ COULTER
2967-007 U.N.T.™ RESIDUE MANAGER
OPERATOR'S MANUAL

2565-692_REV_G 01/2016

YETTER MANUFACTURING CO.
FOUNDED 1930

Colchester, IL 62326-0358
Toll free: 800/447-5777
309/776-3222 (Fax)
Website: www.yetterco.com
E-mail: info@yetterco.com

YETTER

FOREWORD

You've just joined an exclusive but rapidly growing club.

For our part, we want to welcome you to the group and thank you for buying a Yetter product.

We hope your new Yetter products will help you achieve both goals-increase your productivity and increase your efficiency so that you may generate more profit.

This operator's manual has been designed into four major sections: Foreword, Safety Precautions, Installation Instructions and Parts Breakdown.



This **SAFETY ALERT SYMBOL** indicates important safety messages in the manual. When you see this symbol, be alert to the possibility of **PERSONAL INJURY** and carefully read the message that follows.

The word **NOTE** is used to convey information that is out of context with the manual text. It contains special information such as specifications, techniques and reference information of a supplementary nature.

The word **IMPORTANT** is used in the text when immediate damage will occur to the machine due to improper technique or operation. Important will

apply to the same information as specified by note only of an immediate and urgent nature.

It is the responsibility of the user to read the operator's manual and comply with the safe and correct operating procedure and to lubricate and maintain the product according to the maintenance schedule in the operator's manual.

The user is responsible for inspecting his machine and for having parts repaired or replaced when continued use of the product would cause damage or excessive wear to the other parts.

It is the user's responsibility to deliver his machine to the Yetter dealer who sold him the product for service or replacement of defective parts, which are covered by the warranty policy.

If you are unable to understand or follow the instructions provided in this publication, consult your local Yetter dealer or contact:

YETTER MANUFACTURING CO.

309/776-4111

800/447-5777

309/776-3222 (FAX)

Website: www.yetterco.com

E-mail: info@yetterco.com

WARRANTY

Yetter Manufacturing warrants all products manufactured and sold by it against defects in material. This warranty being expressly limited to replacement at the factory of such parts or products as shall appear to be defective after inspection. This warranty does not obligate the Company to bear cost of labor in replacement of parts. It is the policy of the Company to make improvements without incurring obligations to add them to any unit already sold. No warranty is made or authorized to be made, other than herein set forth. This warranty is in effect for one year after purchase.

DEALER _____

Yetter Manufacturing warrants its own products only and cannot be responsible for damages to equipment on which mounted.

SAFETY PRECAUTIONS

A brief description of signal words that may be used in this manual:

CAUTION: Used as a general reminder of good safety practices or to direct attention to unsafe practices.

WARNING: Denotes a specific potential hazard.

DANGER: Denotes the most serious specific potential hazard.



CAUTION

Consult your implement and tractor operator's manual for correct and safe operating practices. Be aware of towed implement width and allow safe clearance.



CAUTION: SAFETY SIGNS

Safety decals are placed on the implement to alert the operator and others to the risk of personal injury or unsafe operation during normal operations and servicing.

1. The safety decals must be kept clean and in good condition to ensure that they are legible.
2. Safety decals must be replaced if they are missing or illegible.
3. When components are replaced during repair or servicing, check that the new components include the necessary safety signs.
4. Replacement safety decals may be obtained from your local dealer.



WARNING

Read these instructions carefully to acquaint yourself with the Equipment. Working with unfamiliar equipment can lead to accidents.

Never park the equipment on a steep incline or leave the equipment running unattended.

Never clean, lubricate or adjust a machine that is in motion.

Always check that straps are secure.

Make sure latches are in pinned position when moving equipment.

Do not allow children to operate this equipment.

Do not allow riders on the equipment, trailer and/or pick-up.

Use speed and caution dictated by the terrain being traversed. Do not operate on any slope steep enough to cause tipping or loss of control.

Read and understand the operator's manual and require all other persons who will operate the equipment to do the same.

If operating on public roadways, where legal, be certain all lighting is operating properly and observe all traffic laws.

Beware of increased stopping distances and control effort when operating with implements attached.

Be familiar with all controls and be prepared to stop equipment quickly in an emergency.

FAILURE TO HEED MAY RESULT IN PERSONAL INJURY OR DEATH.

INTRODUCTION

The 2960 U.N.T.™ Unit Mounted Conservation Coultter has been designed as a 'universal' fitment for several makes of planter units.

By using two different mounting plates, the one boxed unit will fit several planters. One of the faceplate mount brackets will fit the John Deere MaxEmerge 2, Plus and Pro type planters. Another of the faceplate mount brackets will fit the old style 7000 John Deere units, Kinze, White 6000 and the Yetter planter row units. Several different styles of blades are available for every tillage practice, every soil type, and every residue condition, so you can choose the one that's right for you.

TABLE OF CONTENTS

Cover Page.....	1
Foreword.....	2
Safety Symbols and meanings.....	3
Table of Contents.....	4
Torque Specifications.....	5
Installation Instructions.....	6-11
Operation.....	12-13
Maintenance.....	14-19
Parts Identification.....	20-22
Trouble Shooting.....	23
Operating Precautions.....	24
Planter Height Adjustment.....	25

		BLADE CHOICE					
		SMOOTH (S)	RIPPLE	BUBBLE	8 WAVE (W)	13 WAVE (SW)	25 WAVE (MW)
FACTOR							
SIZE	14-5/8"				X		X
	16"	X	X	X	X	X	X
AGGRESSIVE	LOW	X	X				
	MEDIUM			X			
	HIGH				X	X	X
SPEED	SLOW			X			X
	NORMAL	X	X	X		X	X
	FAST	X	X		X		
SOIL	DRY	X	X	X	X	X	X
	CONDITION	DAMP/STICKY	X	X			
	SANDY		X	X	X	X	X
	HEAVY		X	X	X	X	X

BOLT TORQUE

Mounting bolts and hardware

Before operating the Titan™ Residue Manager for the first time, check to be sure that all hardware is tight. Check all hardware again after approximately 50 hours of operation and at the beginning of each planting season.

All hardware used on the Titan™ Residue Manager is Grade 5 unless otherwise noted. Grade 5 cap screws are marked with three radial lines on the head. If hardware must be replaced, be sure to replace it with hardware of equal size, strength and thread type. Refer to the torque values chart when tightening hardware.







Important: Over tightening hardware can cause as much damage as when under tightening. Tightening hardware beyond the recommended range can reduce its shock load capacity.

The chart below is a guide for proper torque. Use it unless a specified torque is called out elsewhere in the manual.

Torque is the force you apply to the wrench handle or the cheater bar, times the length of the handle or bar.

Use a torque wrench whenever possible.

The following table shows torque in ft. lbs. for coarse thread hardware.

BOLT DIA. AND THREADS PER INCH		 OR 	
	GRADE 2	GRADE 5 A-325	GRADE 8
1/4	6	10	14
5/16	12	20	30
3/8 - 16	25	35	50
7/16 - 14	35	55	80
1/2 - 13	55	85	125
9/16 - 12	75	125	175
5/8 - 11	105	170	235
3/4 - 10	185	305	425
7/8 - 9	170	445	690
1-8	260	670	1030
1 1/8 - 7	365	900	1460
1 1/4 - 7	515	1275	2060
1 3/8 - 6	675	1675	2700
1 1/2 - 6	900	2150	3500
1 3/4 - 5	1410	3500	5600

Lubricate all bearings and moving parts as assembled and make certain that they work freely.



WARNING: Never work around the toolbar/implement while in a raised position without using safety lockups.



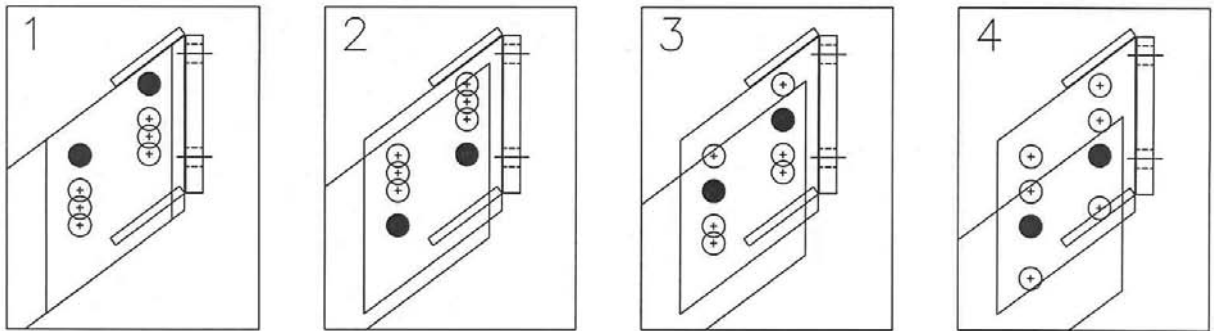
CAUTION: The Residue manager attachments are very heavy. Pay extra attention to lifting techniques while handling and or maneuvering the opener during assembly. Failure to do so may lead to personal injury.

INSTALLATION INSTRUCTIONS

		15" PLANTER BLADES			15" PLANTER BLADES
		JD 7000 AND KINZE PLANTERS			JD 1700, 7200 AND 7300 PLANTERS
		ALL WHITE 6000 PLANTERS			PRO AND PLUS SERIES
		BOLT			BOLT
		POSITION #			POSITION #
	1	1-1/2" ABOVE	1	1	1" ABOVE
	2	1" ABOVE	2	2	5/8" ABOVE
16" COULTER	3	1/2" ABOVE	3	3	EVEN
BLADE	4	1/2" BELOW	4	4	7/8" BELOW

Note: This is a reference guide table – all measurements were taken with the row unit and planter frame level/parallel to the soil.

COULTER BLADE DEPTH ADJUSTMENT BOLT LOCATION



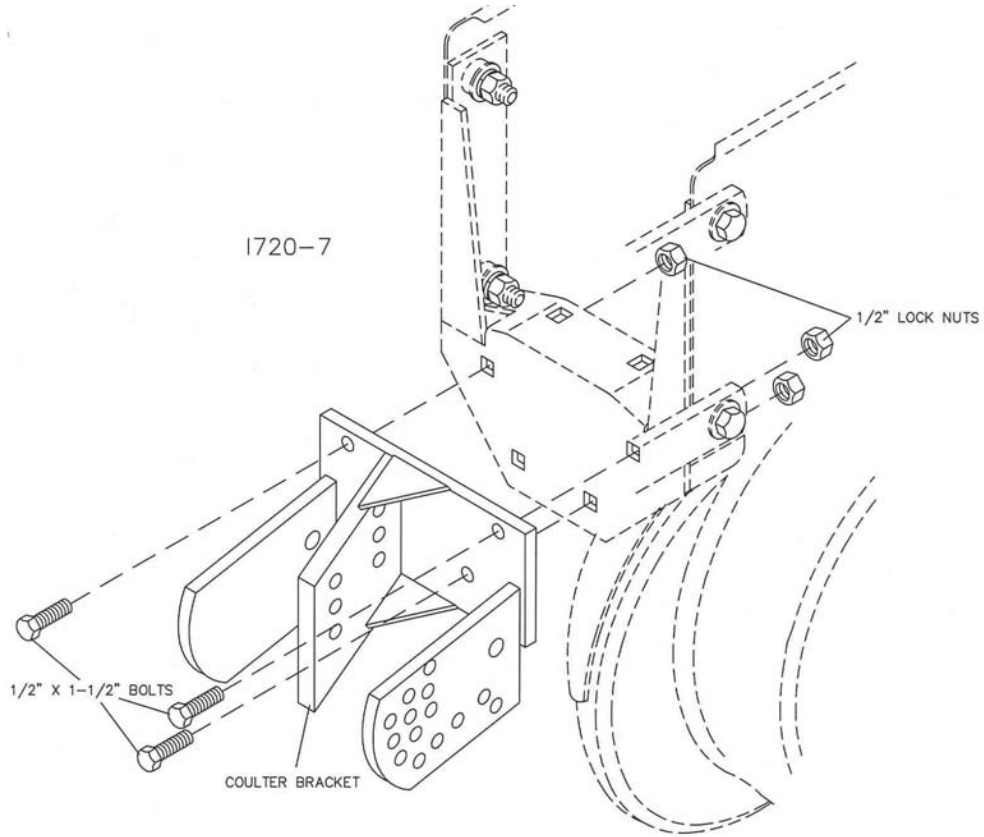
L505-2

Adjustment:

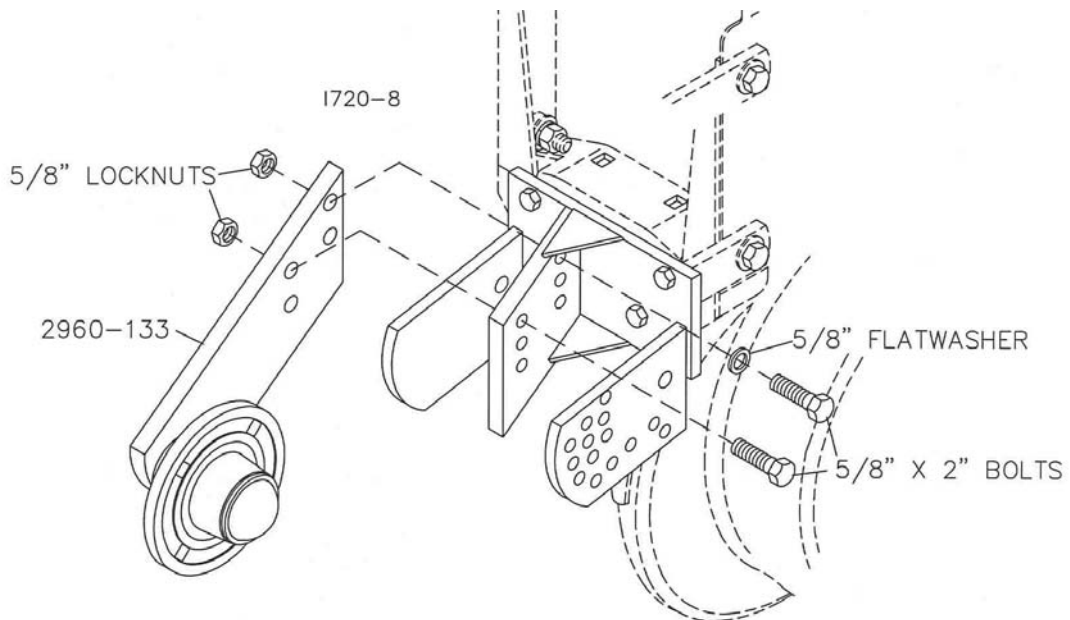
Adjust coultter blade depth equal to or above the planter opener blades. Adjust the blade depth as required for blade wear. Planter blades that are worn to 14 1/4" or smaller in diameter should be replaced. Example: 14 1/4" blades will have a 3/8" shallower planting depth than 15" blades at the same gauge wheel adjustment setting.

INSTALLATION INSTRUCTIONS

STEP 1. Attach the coultter bracket to the planter unit using (3) 1/2" x 1-1/2" bolts and lock nuts. Do not fully tighten hardware, coultter blade alignment to the planter opener will need to be done later.



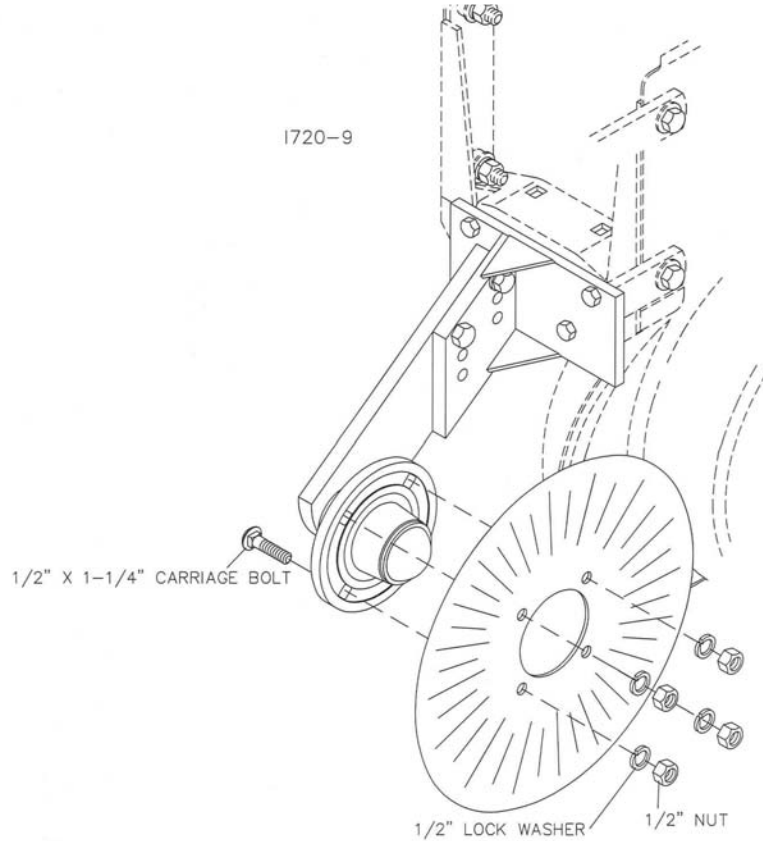
STEP 2. Attach the 2960-133 arm assembly to the coultter bracket using the 5/8" x 2" bolts, 1 5/8" flat washer and lock nuts. When the coultter is set to the desired depth, fully tighten the 5/8" x 2" bolts.



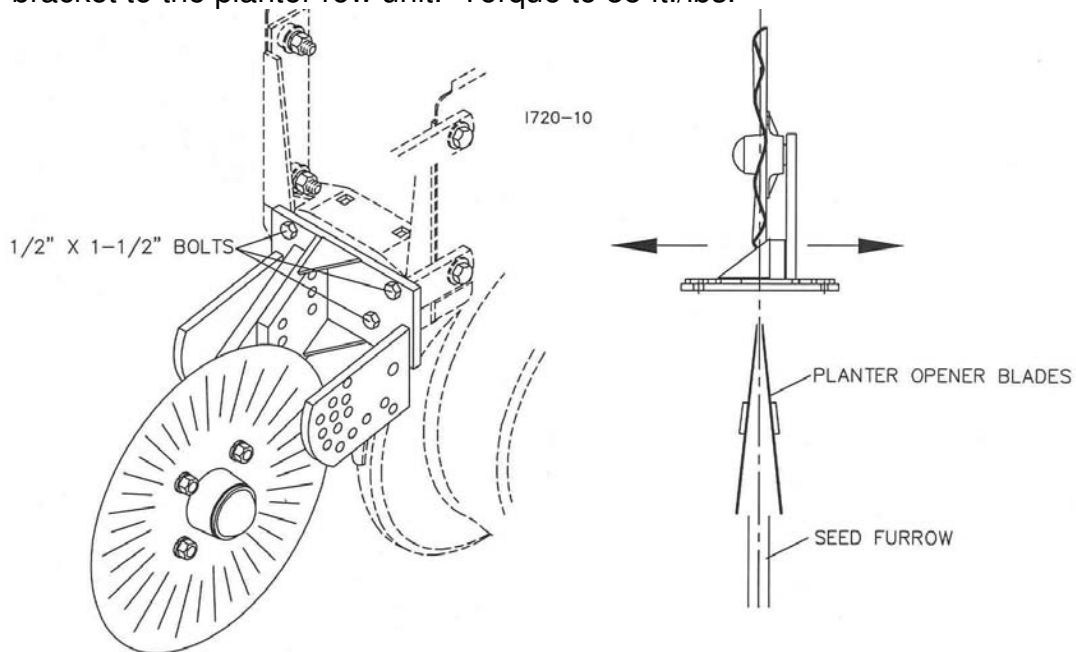
INSTALLATION INSTRUCTIONS

NOTE: For models with residue managers go to **STEP 4.**

STEP 3. For coulters only models, Attach the blade to the coulters arm assembly using the 4) 1/2" x 1-1/4" carriage bolts, hex nuts, and lock washers. Fully tighten the carriage bolts. Torque to 85 ft/lbs.

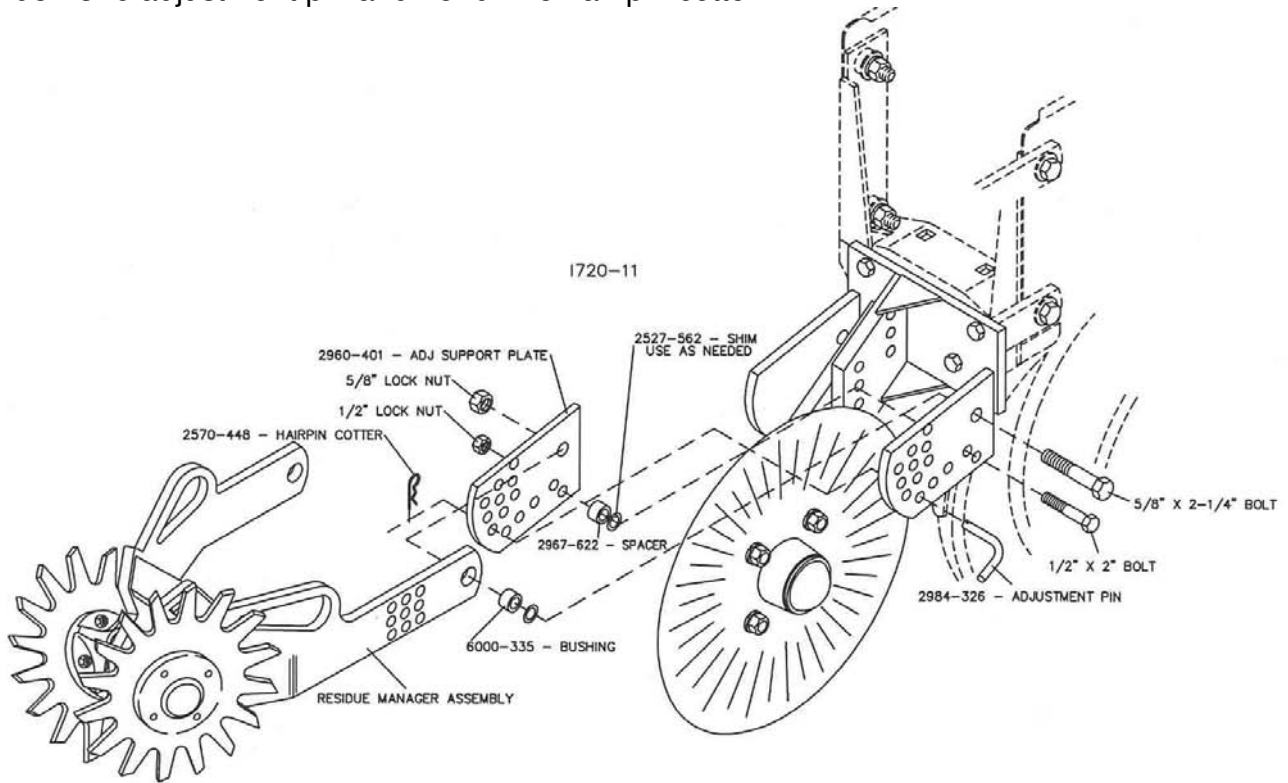


STEP 4. Align the coulters hub/blade to the planter row unit opener blades. Set the coulters blades to run perpendicular to the soil. Fully tighten the 3) 1/2" x 1-1/2" bolts on the coulters bracket to the planter row unit. Torque to 85 ft/lbs.

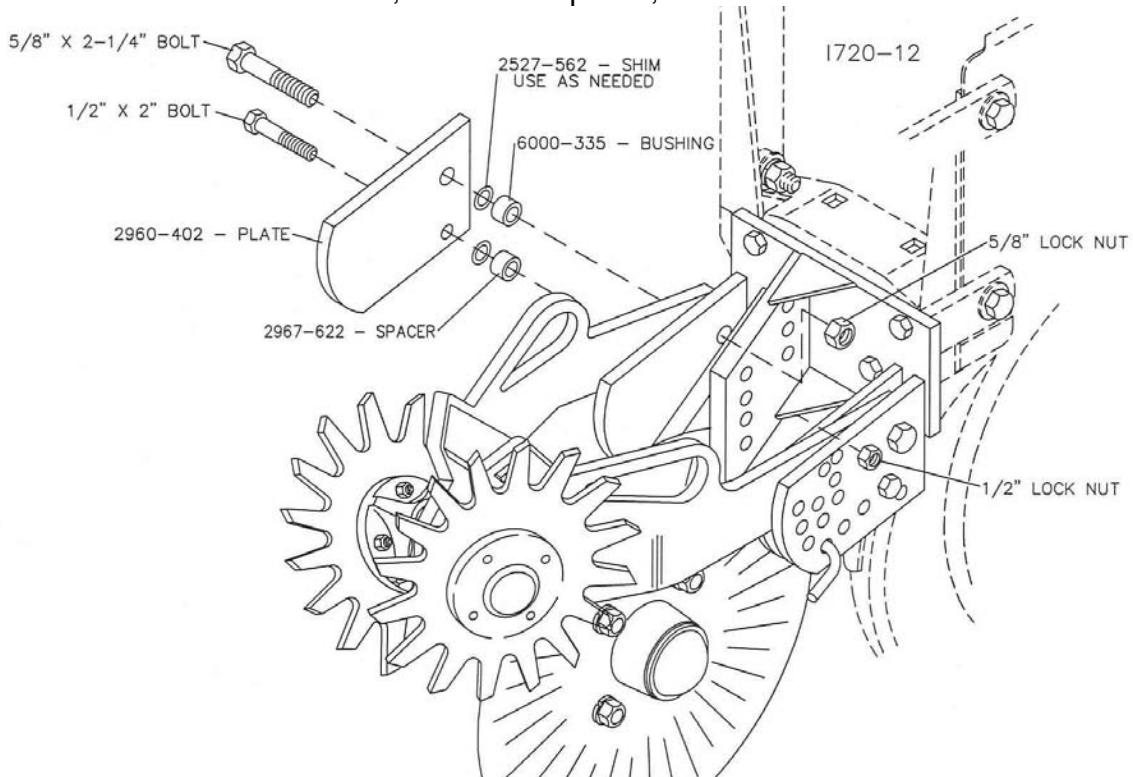


INSTALLATION INSTRUCTIONS

STEP 5. Attach the residue manager assembly to the coultter bracket using the 5/8" x 2-1/4" bolt, 6000-335 bushing, 2527-562 shim, 2960-401 adjustment support plate, 5/8 lock nut and the 1/2" x 2" bolt, 2967-622 spacer, 2527-562 shim and 1/2" locknut. Install the 2984-326 adjustment pin and 2570-448 hair pin cotter.

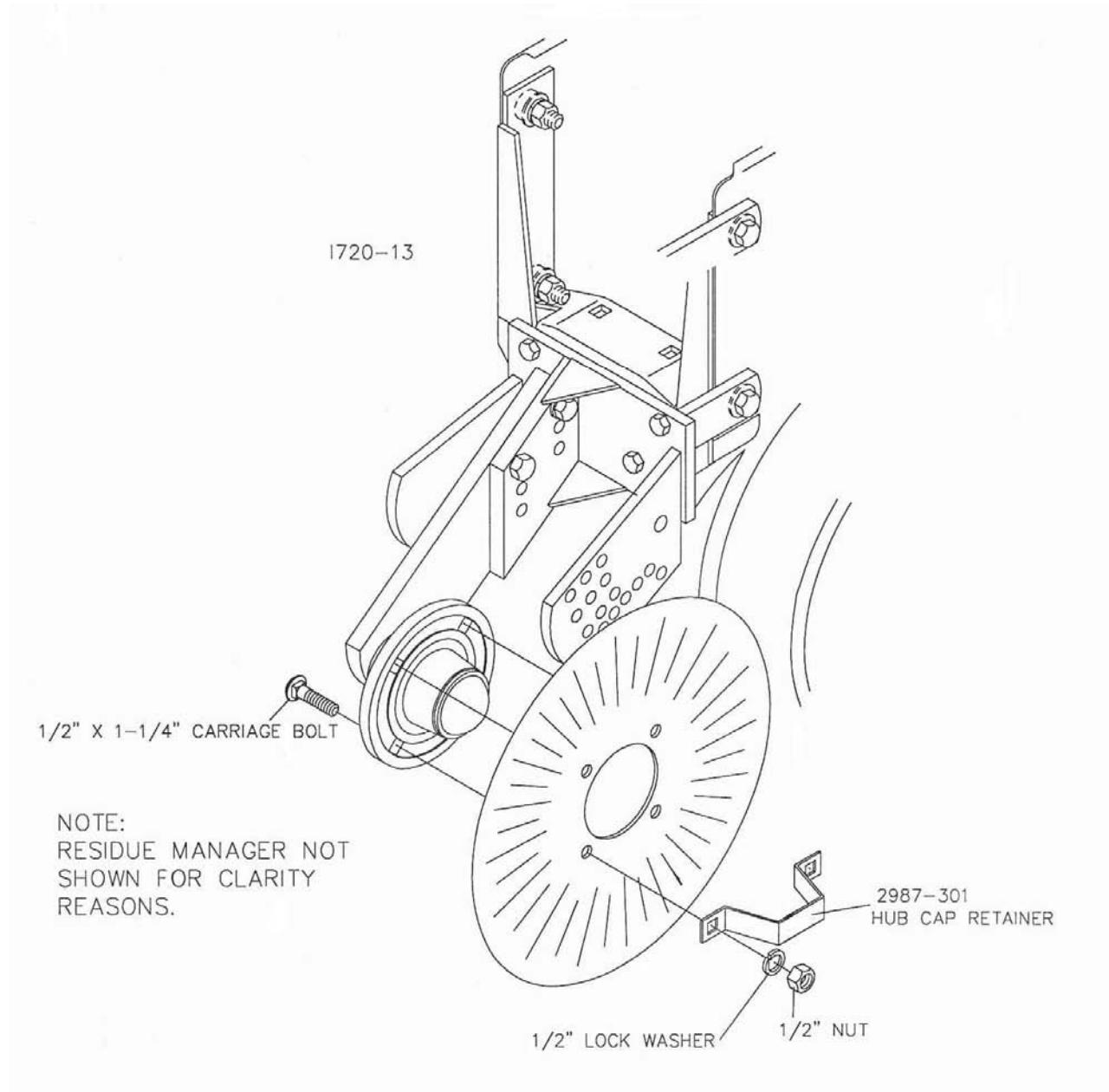


STEP 6. Install the 5/8" x 2-1/4" bolt, 2960-402 plate, 6000-335 bushing, 2527-562 shim, 5/8" lock nut and the 1/2" x 2" bolt, 2967-622 spacer, 2527-562 shim and 1/2" lock nut.



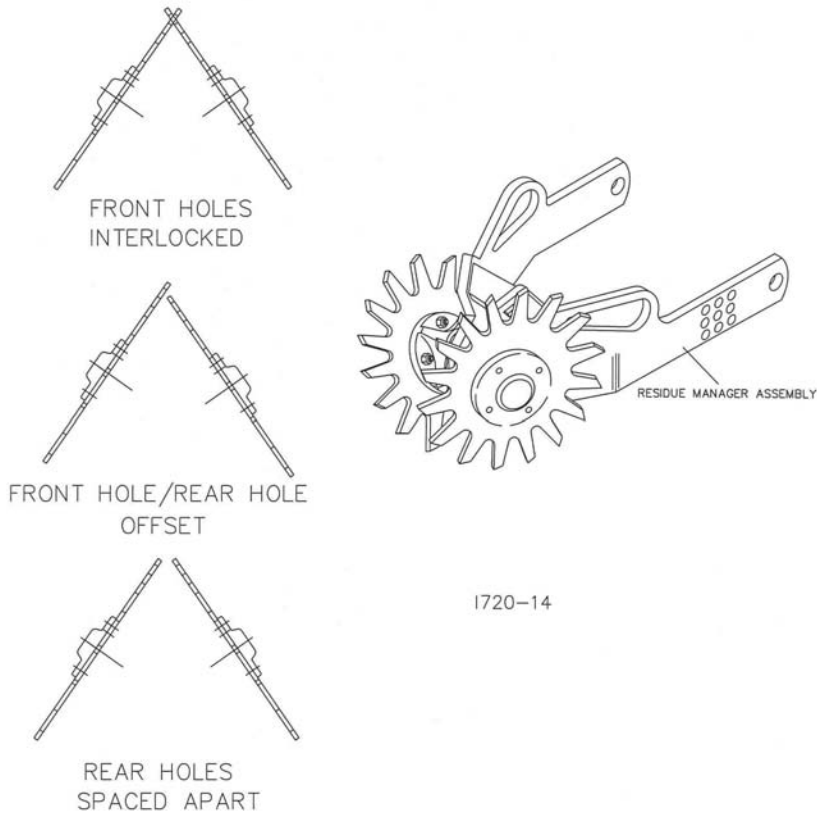
INSTALLATION INSTRUCTIONS

STEP 7. Attach the blade to the coultter arm assembly using the 4) 1/2" x 1-1/4" carriage bolts, lock washers and hex nuts. Torque to 85 ft./lbs.

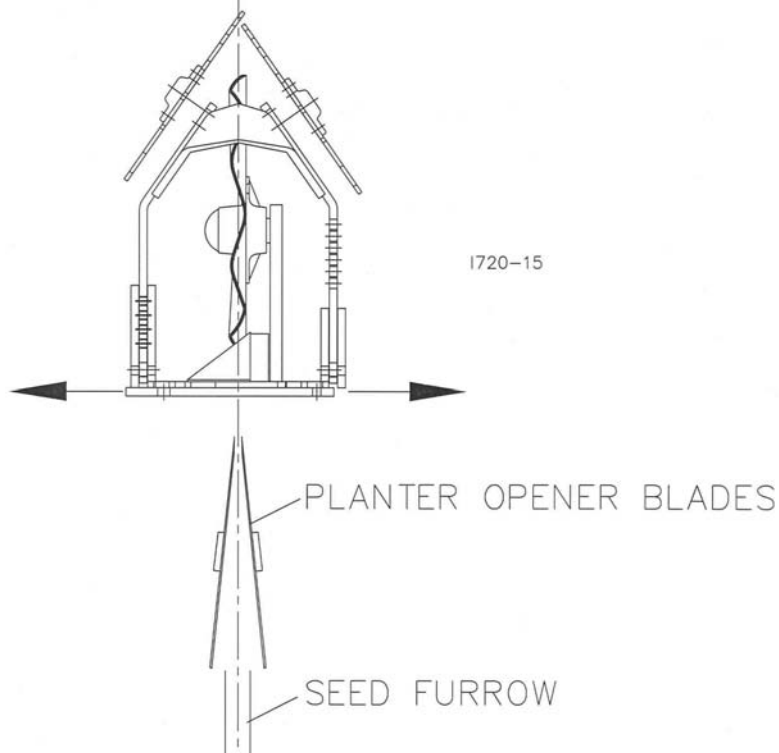


INSTALLATION INSTRUCTIONS

STEP 8. Choose the mounting hole in which to attach the residue manager wheels. Both wheels mounted in the front holes – wheels are interlocked. One wheel mounted in the front hole – wheels are offset. Both wheels mounted in the rear holes – wheels are spaced apart. Torque 150 ft.lbs.



STEP 9. Check the alignment of the residue manager wheels, conservation coulters (if used) to the planter opener blades. Fully tighten mounting bolts. Torque to 85 ft./lbs.

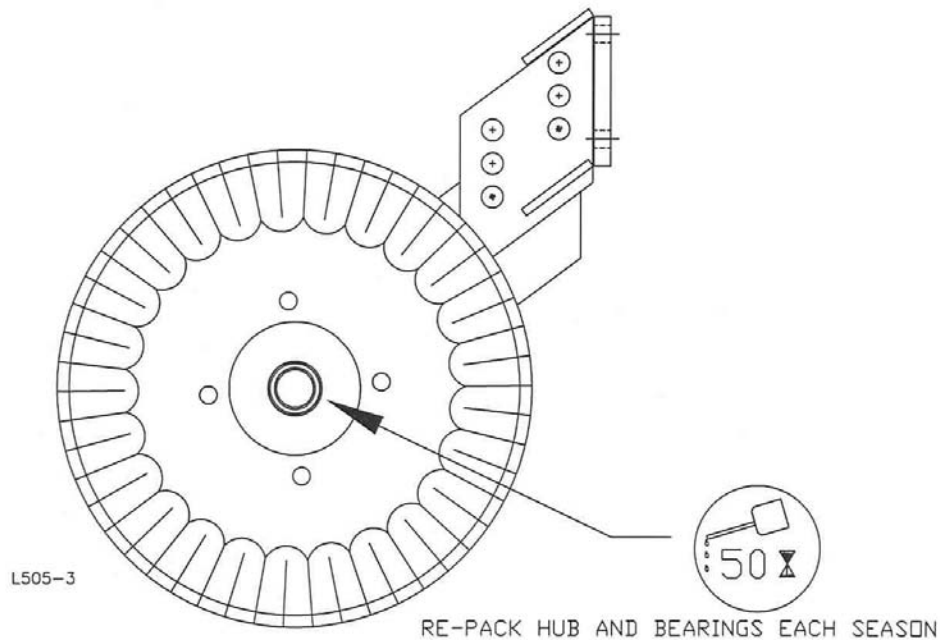


OPERATION

1. Set/mount coulter blades to run perpendicular to the soil. Operation depth and blade wear can be affected if the coulter is mounted crooked or if the toolbar is not level side to side.
2. After a few hours of use, check all bolts for tightness and proper torque.
3. After a day of use (10-12 hours) check coulter hubs for loose bearings. There should be no endplay in the hub bearings allowing the blade to wobble. If necessary, remove hubcap and cotter pin and adjust the slotted nut to remove wobble, recommended torque of 15 ft. lbs. and re-insert cotter pin. If the wobble or looseness cannot be corrected, the bearings, cups and seals will need to be replaced.
DO NOT USE WORN OR DAMAGED PARTS.

MAINTENANCE

LUBRICATION: USE #2 MULTI-PURPOSE LITHIUM GREASE



To ensure longevity and reliability of the U.N.T.[™] Coulter, the recommended lubrication schedule should be followed using multi-purpose grease at hourly intervals as indicated.

BEARING ADJUSTMENT:

1. Raise the toolbar until the blade is clear of the ground. Place a safety stand under the toolbar. Remove the hubcap, cotter pin, slotted nut and washer from the hub assembly. Remove the blade from the hub assembly.
2. Remove bearing cones and seals from hub.
3. Wash the old grease from the hub, bearing cups, spindle spacers, seals and bearing cones. Inspect the condition of the bearing cups, cones and seals. Replace if necessary.
4. Apply #2 multi-purpose lithium grease on each bearing. Make sure the space around each roller is filled. Lubricate the bearing cups.
5. Position the bearing in the cup and install the seal. Lubricate the seal lips and proceed with re-assembly of the removed parts including the blade. Blade bolt torque is 90 to 96 ft. lbs.
6. Tighten the slotted nut to 15 ft. lbs. or until a definite drag is felt when the blade is turned by hand. Tighten the nut one slot position to line up the cotter pin hole with a slot. Secure the nut with a new cotter pin, replace hubcap.

OPERATION



CAUTION: Where rocks are present the residue manager should be set in the “float” position, not locked down.

Adjust the residue manager to move crop residue aside and not move any soil. Adjustments to the residue manager may have to be made when changing field conditions and type and amount of residue.

- Float setting – install the adjustment pin under the residue manager arm.
- Rigid setting – install the adjustment pin through the residue arm.

ROW CLEANER DO'S AND DON'TS

1. **DO NOT** move soil; Residue Managers are designed to move crop residue only.
2. **DO NOT** operate planter at slow speeds, ground speed affects how aggressive the spoke wheels are; operate at sufficient speed (4-6 mph) to maintain good residue flow.
3. **DO NOT** expect 100% of crop residue to be cleared, it is not necessary and would necessitate engaging the soil. The width of path cleared depends on ground conditions, depth setting and ground speed.
4. **DO** expect to see wheels occasionally quit turning, indicates ideal (shallow) setting which is not moving soil.
5. **DO** adjust toolbar frame height 20”-22” and drawbar correctly. Very important to ensure planter opener will follow ground contours properly.



IMPORTANT: For proper operation, the planter frame must operate level (for, aft and side to side) and at the correct height, typically 20”-22”. Regularly inspect the residue manager for loose or worn bolts. Repair and replace as needed.

MAINTENANCE

BEARING ASSEMBLY AND LUBRICATION

Practice Safety

Understand and practice safe service procedures before doing work. Follow ALL the operating, maintenance and safety information in the equipment operator manual. Clear the area of bystanders, especially small children, when performing any maintenance or adjustments. Keep work area clean and dry. Use adequate lighting for the job. Use only tools, jacks and hoists of sufficient capacity for the job.

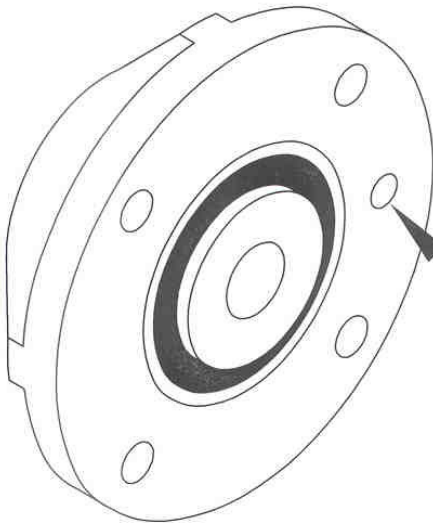
Never lubricate, service, or adjust machine while it is moving. Keep hands, feet, and clothing from power-driven moving and rotating parts. Disengage all power and operate controls to relieve pressure. Lower equipment to the ground and stop the engine. Remove the key. Wait for all moving parts to stop before servicing, adjusting, repairing or unplugging.

Securely support any machine elements with blocks or safety stands that must be raised for service work.

Keep all parts in good condition and properly installed. Fix damaged equipment immediately. Replace worn or broken parts. Remove any buildup of grease, oil, or debris.

Make sure all guards are in place and properly secured when maintenance work is completed.

Assembly

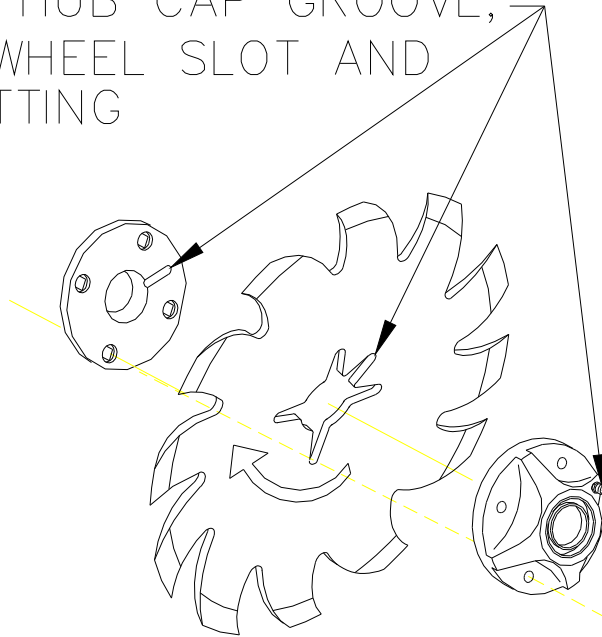


ALIGN GREASE
FITTING HOLES.

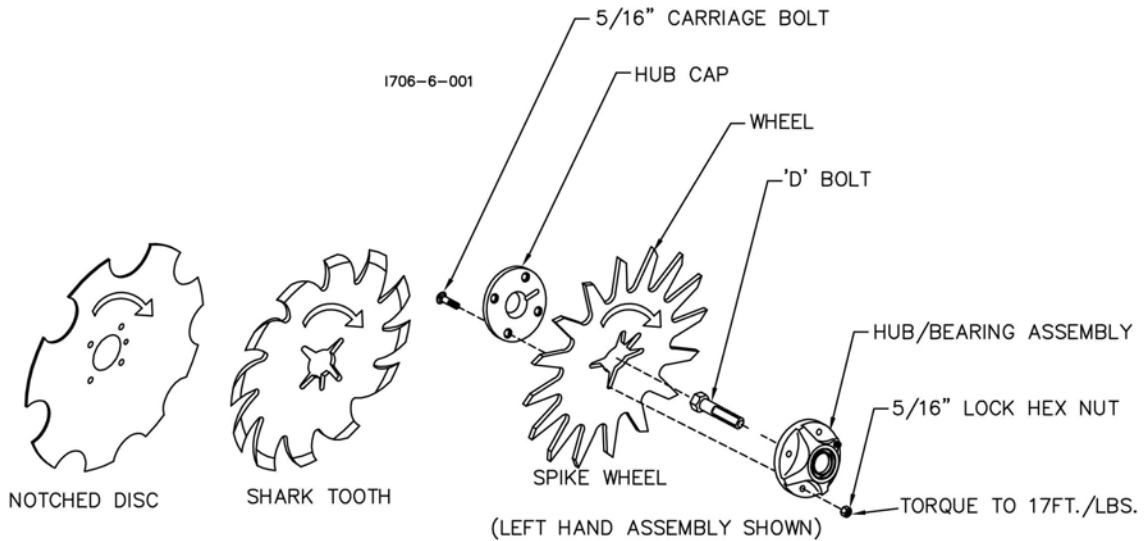
1190-1

MAINTENANCE

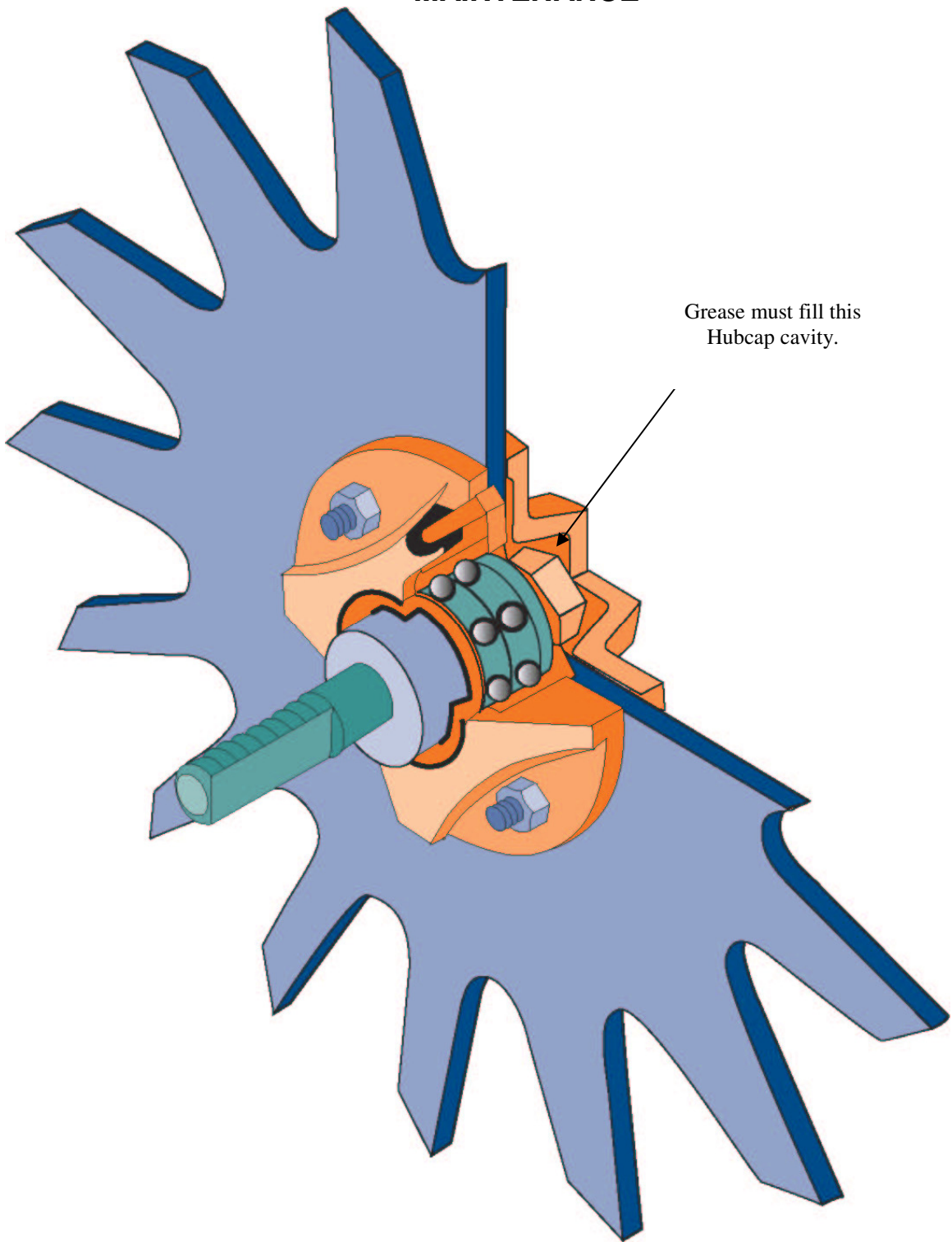
ALIGN THE HUB CAP GROOVE,
WITH THE WHEEL SLOT AND
GREASE FITTING



NOTE: Be certain to align the grease fitting with the slot in the wheel and the hubcap so that the grease can flow freely.



MAINTENANCE



MAINTENANCE

Lubrication



CAUTION: To help prevent serious injury or death to you or others caused by unexpected movement, service machine on a level surface. Lower machine to ground or sufficiently lock or block raised machine before servicing. If machine is connected to tractor, engage parking brake and place transmission in "PARK", shut off engine and remove key. If machine is detached from tractor, block wheels and use shop stands to prevent movement.



CAUTION: Do not clean, lubricate, or adjust machine while in motion.

Use grease based on NLGI consistency numbers and the expected air temperature range during the service interval.

Use a **multi-purpose lithium, water resistant, moderate speed, and NLGI grade #2** grease.

Other greases may be used if they meet the following **NLGI Performance Classification: GC-LB**

IMPORTANT: Some types of grease thickener are not compatible with others. Consult your grease supplier before mixing different types of grease.

Alternative Lubricants

Conditions in certain geographical areas may require special lubricants and lubrication practices which do not appear in the operator's manual. If there are any questions, consult Yetter Manufacturing Co. to obtain latest information and recommendation.

PART #	DESCRIPTION	OUNCES OF GREASE
2967-404	13" TAPER TOOTH R.M. WHEEL	1.12 OZ
2967-602	13" SHARK TOOTH R.M. WHEEL	1.12 OZ
2967-186	FLOATER WHEEL KIT W/R.M. WHEEL	2.08 OZ
2967-596	HEAVY DUTY OR BEVEL R.M. WHEEL W/ FLOATER WHEEL KIT	2.40 OZ

Storing Lubricants


Your machine can operate at top efficiency only if clean lubricants are used.

Use clean containers to handle all lubricants.

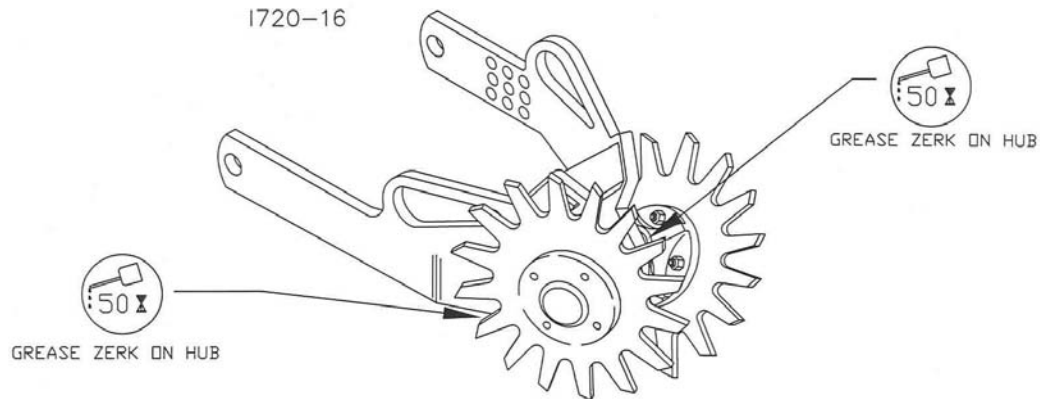
Store them in an area protected from dust, moisture and other contaminants.

MAINTENANCE

Lubrication Symbols

 Lubricate with grease at hourly interval indicated on symbol.

Lubrication Intervals



IMPORTANT: The recommended service intervals are based on normal conditions; severe or unusual conditions may require more frequent lubrication.

Perform each lubrication and service procedure at the beginning and end of each season.

Clean grease fittings before using grease gun, to avoid injecting dirt and grit into the bearing.

Replace any lost or broken fittings immediately. If a fitting fails to take grease, remove and clean thoroughly, replace fitting if necessary. Also check for failure of adjoining parts.

BEARING REPLACEMENT INSTALLATION

1. When assembling the spoke wheels, bearing assembly and hubcap, be sure to align the grease transfer hole in the spoke wheel with the groove in the hubcap and hole in the hub to allow grease passage.
2. Assemble the wheels, hubs and caps.
3. Grease the wheel/hub/bearing assembly.

MAINTENANCE

Storing the Equipment

Store the machine in an area away from human activity

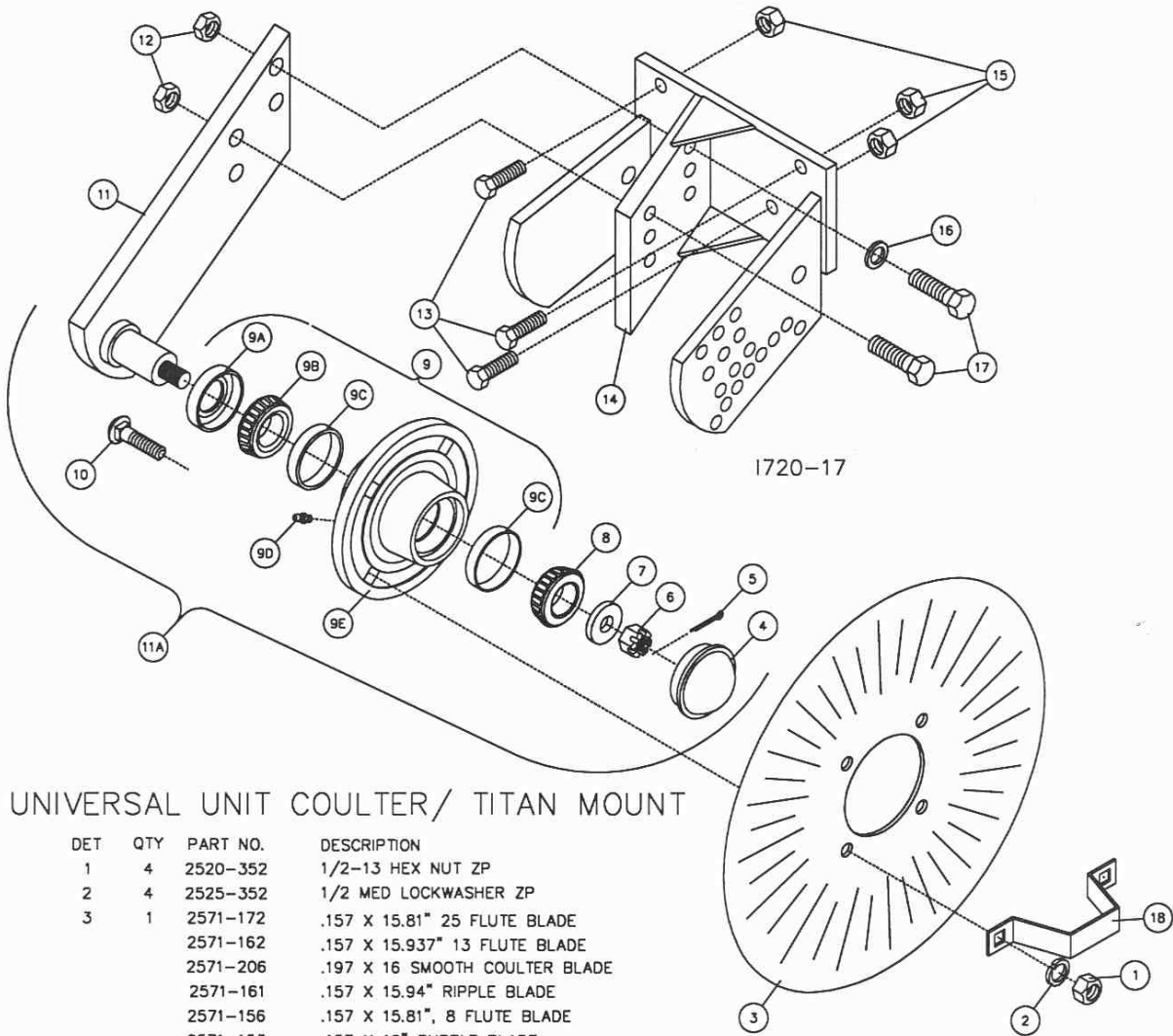
Store machine in RAISED position.

Install service locks on all wheel cylinders.

At the end of the season, the machine should be thoroughly inspected and prepared for storage. Repair or replace any worn or damaged components to prevent down time at the start of the next season. Store machine under cover with all parts in operating condition.

- Clean machine thoroughly to remove all dirt, debris, and crop residue, which would hold moisture and cause rusting.
- Inspect machine for worn or broken parts. See your Yetter Farm Equipment dealer during the off-season so that parts or service can be acquired when machine is not needed in the field.
- Lubricate bearings as outlined in the Lubrication section
- Paint all parts which are chipped or worn and require repainting.
- Store machine in a clean, dry place with the planting unit out of the sun.
- If the machine cannot be stored inside, cover with a waterproof tarpaulin and tie securely in place.
- Do not allow children to play on or around the machine

PARTS IDENTIFICATION

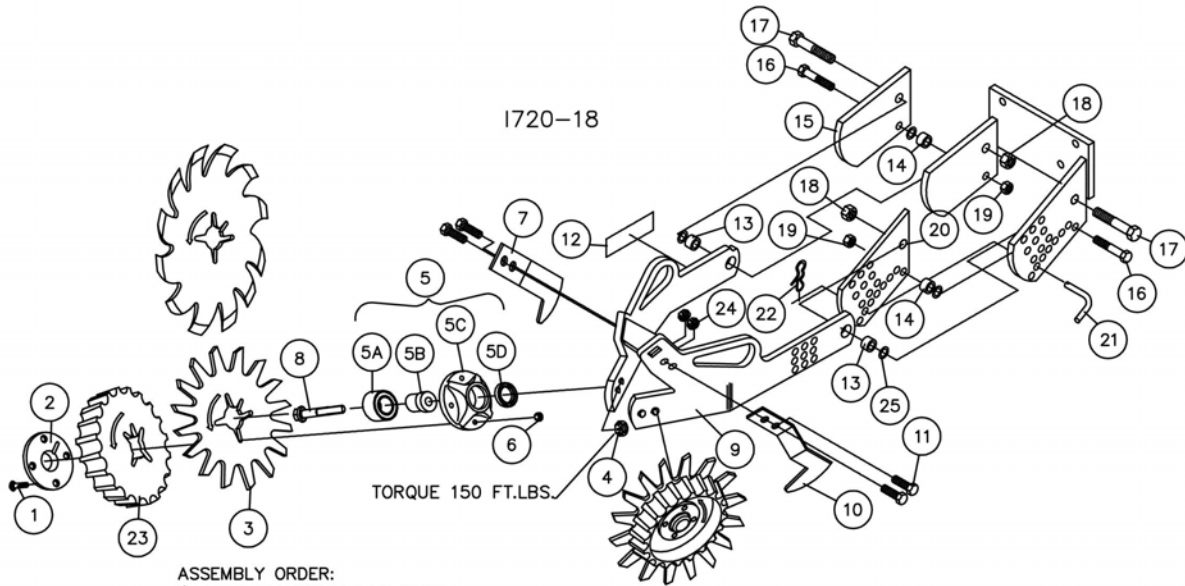


UNIVERSAL UNIT COULTER/ TITAN MOUNT

DET	QTY	PART NO.	DESCRIPTION
1	4	2520-352	1/2-13 HEX NUT ZP
2	4	2525-352	1/2 MED LOCKWASHER ZP
3	1	2571-172	.157 X 15.81" 25 FLUTE BLADE
		2571-162	.157 X 15.937" 13 FLUTE BLADE
		2571-206	.197 X 16 SMOOTH COULTER BLADE
		2571-161	.157 X 15.94" RIPPLE BLADE
		2571-156	.157 X 15.81", 8 FLUTE BLADE
		2571-153	.157 X 16" BUBBLE BLADE
4	1	2570-375	HUB CAP, WILTON #909902
5	1	2531-102	1/8 X 1-1/4 COTTER PIN BLACK
6	1	2520-469	5/8-18 SLOTTED HEX NUT, BLACK
7	1	2526-449	5/8 FLATWASHER, 1/4 +- .010
8	1	2550-027	CONE, LM67048
9	1	2900-102	HUB SUB-ASSEMBLY
9A	1	2550-066	TRIPLE LIP SEAL, NTI #1812-4
9B	1	2550-027	CONE, LM67048
9C	1	2550-029	CUP, LM67010
9D	1	2533-110	1/4-28 ZERK STRAIGHT SELF-TAP
9E	1	2555-115	PLOW COULTER HUB CASTING
10	4	2505-337	1/2-13 X 1 1/4 CAR BOLT GR5
11	1	2960-230	COULTER ARM W.A.
11A	1	2960-133	ARM ASSEMBLY (INCLUDES 4-9, 11)
12	2	2520-467	5/8-11 HEX LOCKNUT, JAM ZP
13	3	2502-294	1/2-13 X 1-1/2 HHCS GR. 5 ZP
14	1	2960-231	COULTER/COMBO MOUNT WA (KINZE) (SHOWN)
		2960-228	COULTER MOUNT W.A. (JD 7000/KINZE)
		2960-229	COULTER MOUNT W.A. (JD MEII/1700/PRO)
		2960-232	COULTER/COMBO MOUNT WA (JD MEII/1700/PRO)
15	3	2520-357	1/2-13 LOCK HEX NUT ZP
16	1	2526-453	5/8 SAE FLATWASHER ZP
17	2	2502-391	5/8-11 X 2 HHCS GR 5 ZP
18	1	2987-301	HUB CAP RETAINER

UPDATED 03/18/08

PARTS IDENTIFICATION



- ASSEMBLY ORDER:
 1) ASSEMBLE WHEELS TO HUBS
 2) ASSEMBLE HUBS TO COMBO ARM

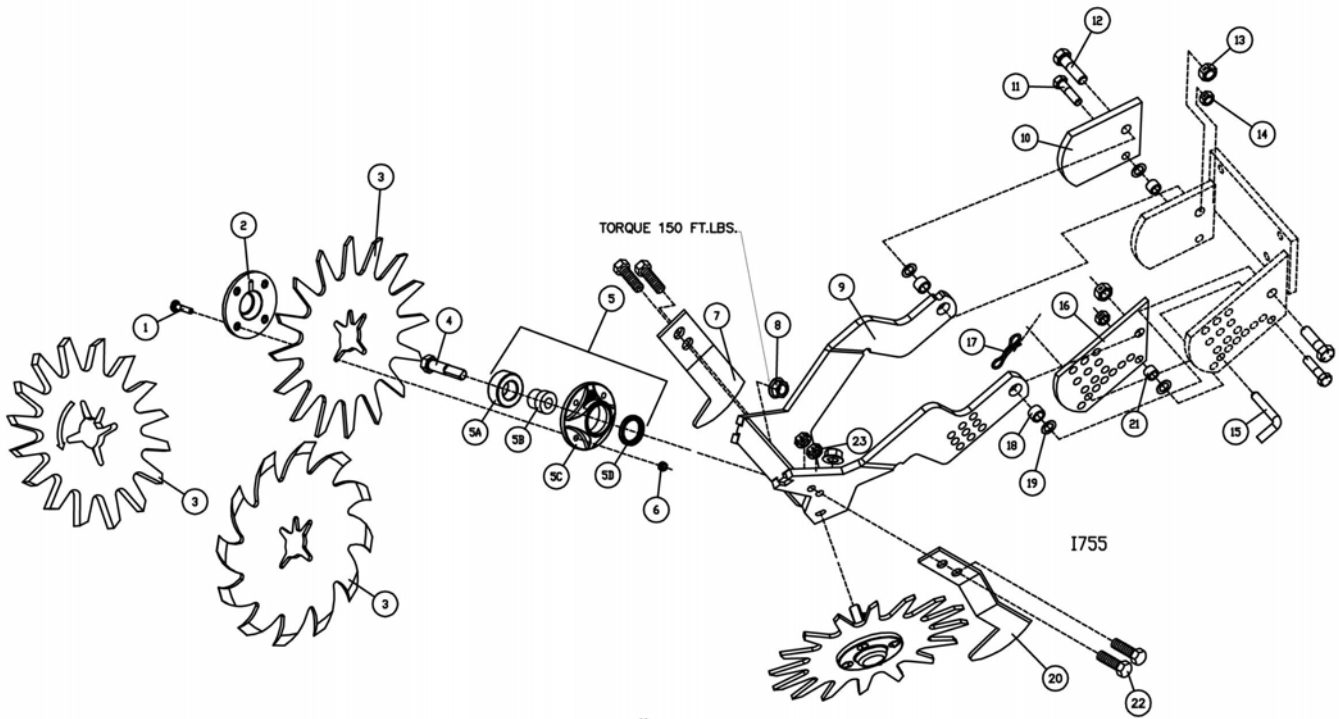
U.N.T. RESIDUE MANAGER KIT

DET	QTY	PART NO.	DESCRIPTION	DET	QTY	PART NO.	DESCRIPTION
1	8	2505-207	5/16-18 X 1 1/4 CAR BLT GR5	8	2	2570-766	D-BOLT, FLGD, 5/8-11 X 2-1/2" GR 8 ZYD
	8	2505-208	5/16-18 X 1 1/2 CAR BLT GR5 (FOR USE WITH HEAVY DUTY WHEELS)	9	1	2967-298	U.N.T. COMBO ARM W.A.
	8	2505-209	5/16-18 X 1 3/4 CAR BLT GR5 (FOR USE WITH FLOATER WHEELS)	10	1	2967-631	SCRAPER, L.H.
2	2	2965-352	HUB CAP CASTING, 4 BOLT, BLACK	11	4	2502-292	1/2-13 X 1 HHCS GR 5 ZYD
3	2	2967-404	13" TAPER TOOTH SPOKE WHEEL	12	1	2565-162	YETTER DECAL, 1-1/2 X 4-1/2
	2	2967-596	3/8 TAPER TOOTH SPOKE WHEEL	13	2	6000-335	9/16" BUSHING
	2	2967-602	13" SHARK TOOTH WHEEL	14	2	2967-622	9/16" SPACER ZYD.
4	2	2520-464	5/8-11 WHIZLOCK HEX NUT, ZP	15	1	2960-402	PIVOT PLATE
5	2	2965-128	HUB AND BEARING ASS'Y., 4 BOLT	16	2	2502-351	1/2-13 X 2 HHCS GR.5 ZP.
5A	1	2570-594	BEARING, 2 ROW NTN# DF0654L	17	2	2502-332	5/8-11 X 2-1/4 HHCS GR. 5 ZP
5B	1	2570-715	BEARING INSERT, TRASHMASTER	18	2	2520-459	5/8-11 LOCK HEX NUT ZP
5C	1	2965-351	HUB CAST., MACHINED, 4 BOLT	19	2	2520-357	1/2-13 LOCK HEX NUT ZP
5D	1	2533-110	1/4" SELF TAP ZERK (NOT SHOWN)	20	1	2960-401	ADJ. SUPPORT PLATE
	1	2550-069	SEAL, TRIPLE LIP, NTN# 1812-5	21	2	2984-326	R.M. UPSTOP PIN ZYD
6	8	N10213	5/16-18 HEX FLANGE SERRATED NUT	22	1	2570-448	1/8 BOWTIE LOCKING COTTER ZYD
7	1	2967-630	SCRAPER, R.H.	23	2	2967-555	FLOATER WHEEL
				24	4	2520-364	1/2-13 HEX LOCK JAM NUT ZYD.
				25	4	2527-562	5/8ID X 10D X .049 WASHER ZYD

REVISED 12/21/15

PARTS IDENTIFICATION

15^S_X UNT RESIDUE MANAGER KIT



2967-099 - 15" UNT RESIDUE MANAGER KIT

DET	QTY	PART NO.	DESCRIPTION
1	8	2505-208	5/16-18 X 1 1/2 CAR BLT GR5
2	2	2965-352	HUB CAP CASTING, 4 BOLT, BL
3	2	2967-404	13" TAPER TOOTH SPOKE WHEEL
	2	2967-596	3/8" TAPER TOOTH SPOKE WHEEL
	2	2967-602	13" SHARK TOOTH WHEEL
4	2	2570-766	D-BOLT, FLANGE, 5/8-11 X 2-1/2" GR.8 ZYD.
5	2	2965-128	HUB AND BEARING ASS'Y., 4 BOLT
5A	1	2570-594	BEARING, 2 ROW NTN# DF0654L
5B	1	2570-715	BEARING INSERT, TRASHMASTER
5C	1	2965-351	HUB CAST., MACHINED, 4 BOLT
5D	1	2550-069	SEAL, TRIPLE LIP, NTN# 1812-5
6	8	N10213	5/16-18 HEX FLANGE SERRATED NUT
7	1	2967-630	SCRAPER, R.H.
8	2	2520-464	5/8-11 WHIZLOCK HEX NUT, ZP
9	1	2966-233	15" TITAN ARM W.A.
10	1	2960-402	PIVOT PLATE
11	2	2502-351	1/2-13 X 2 HHCS GR.5 ZP.
12	2	2502-332	5/8-11 X 2-1/4 HHCS GR. 5 Z
13	2	2520-459	5/8-11 LOCK HEX NUT ZP
14	2	2520-357	1/2-13 LOCK HEX NUT ZP
15	1	2984-326	R.M. UPSTOP PIN ZYD
16	1	2960-401	ADJ. SUPPORT PLATE
17	1	2570-448	.120 BOWTIE LOCKING COTTER
18	2	6000-335	9/16" BUSHING
19	4	2527-562	5/8ID X10D X.049+--.002 M BU
20	1	2967-631	SCRAPER, L.H.
21	2	2967-622	9/16" SPACER ZYD.
22	4	2502-292	1/2-13 X 1 HHCS GR 5 ZYD
23	4	2520-364	1/2-13 HEX LOCK JAM NUT ZYD

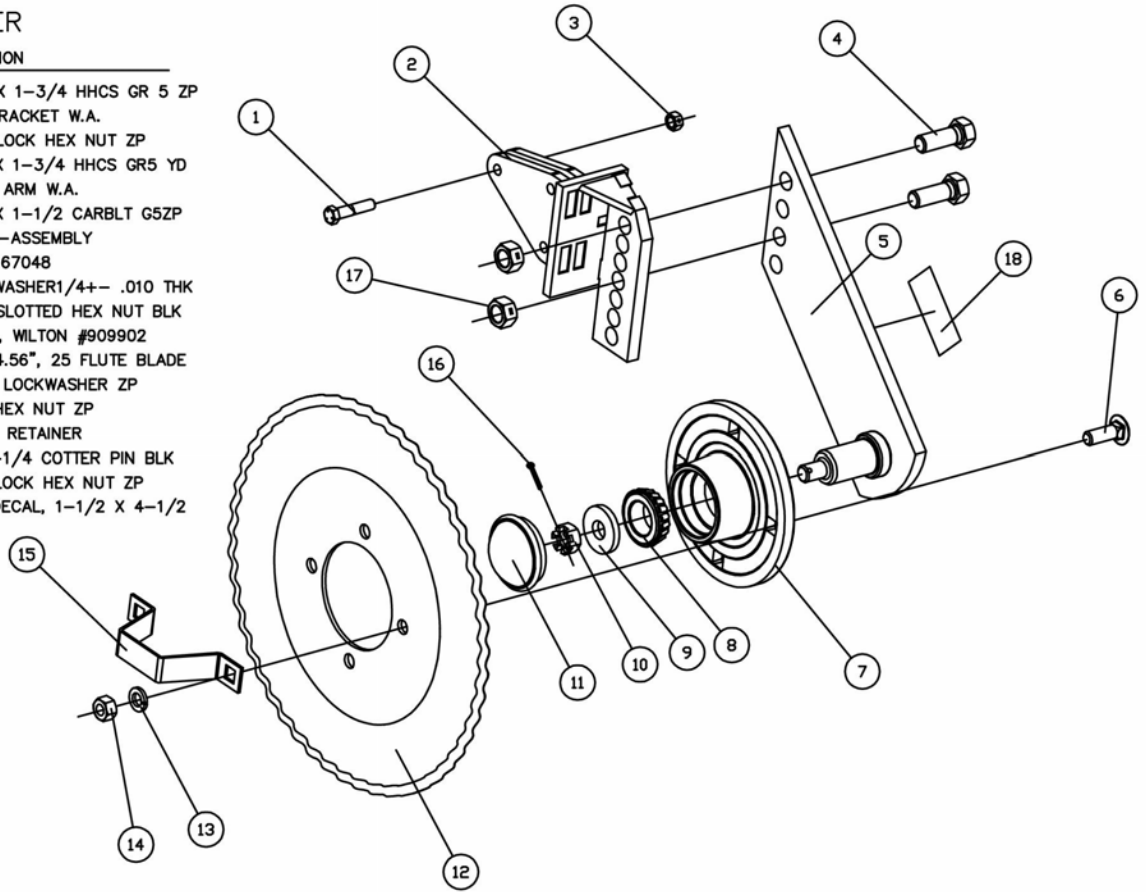
REVISED 12/21/15

PARTS IDENTIFICATION

2960-039-MW UNIT MOUNTED MONOSEM COULTER

DET	QTY	PART NO.	DESCRIPTION
1	3	2502-245	3/8-16 X 1-3/4 HHCS GR 5 ZP
2	1	2960-236	MOUNT BRACKET W.A.
3	3	2520-255	3/8-16 LOCK HEX NUT ZP
4	2	2502-331	5/8-11 X 1-3/4 HHCS GR5 YD
5	1	2960-235	COULTER ARM W.A.
6	4	2505-339	1/2-13 X 1-1/2 CARBLT G5ZP
7	1	2900-102	HUB SUB-ASSEMBLY
8	1	2550-027	CONE, LM67048
9	1	2526-449	5/8FLATWASHER1/4+- .010 THK
10	1	2520-469	5/8-18 SLOTTED HEX NUT BLK
11	1	2570-375	HUB CAP, WILTON #909902
12	1	2571-166	.157 X 14.56", 25 FLUTE BLADE
13	4	2525-352	1/2 MED LOCKWASHER ZP
14	4	2520-352	1/2-13 HEX NUT ZP
15	1	2987-301	HUB CAP RETAINER
16	1	2531-102	1/8 X 1-1/4 COTTER PIN BLK
17	2	2520-459	5/8-11 LOCK HEX NUT ZP
18	1	2565-162	YETTER DECAL, 1-1/2 X 4-1/2

1803



TROUBLESHOOTING

Problem	Cause	Solution
Cannot adjust coulter depth shallow enough.	Planter frame not set correctly.	Ensure that in operation the planter frame is at correct height (20"-22") and level the toolbar, refer to opposite page.
	Coulter blade is too big.	Blade must be 16" diameter or smaller.
	Planter opener blades worn.	Replace planter opener blades if worn smaller than 14 1/4" diameter.
Cannot adjust coulter deep enough.	Coulter blade worn too small.	Replace coulter blade.
Coulter will not penetrate.	Lack of spring tension.	Increase spring tension.
Coulter penetrates too much.	Excessive spring down pressure.	Reduce spring tension.
Seed placement is too deep.	Coulter blade set too deep relative to openers.	Shallow up coulter depth.
Optional wavy blade disturbs too much soil.	Soil too damp or loose.	Reduce ground speed.
		Install a less aggressive blade. Example: smooth or ripple.
Drive chain rubs on springs.	Close fitting parts.	Not detrimental to operation of planter.
No spring tension.	Planter frame not set correctly.	Check planter frame settings, see above.
	Spring adjustment pin not installed properly.	Check installation of pin.
	Broken springs.	Replace broken or damaged parts.

OPERATION PRECAUTIONS

STOP

Read this before using the Yetter product.

- MACHINE OPERATION

IMPORTANT: failure to properly set the planter frame height and levelness can result in less than successful operation of the planter and the Yetter product and may result in damaged equipment. All operators should read and thoroughly understand the instructions given prior to using the Yetter product.

NOTE: **DO NOT** use this product if the planter is not adjusted properly!

Leveling the planter:

With the planter lowered to proper operating height (**Usually 20"-22"**).

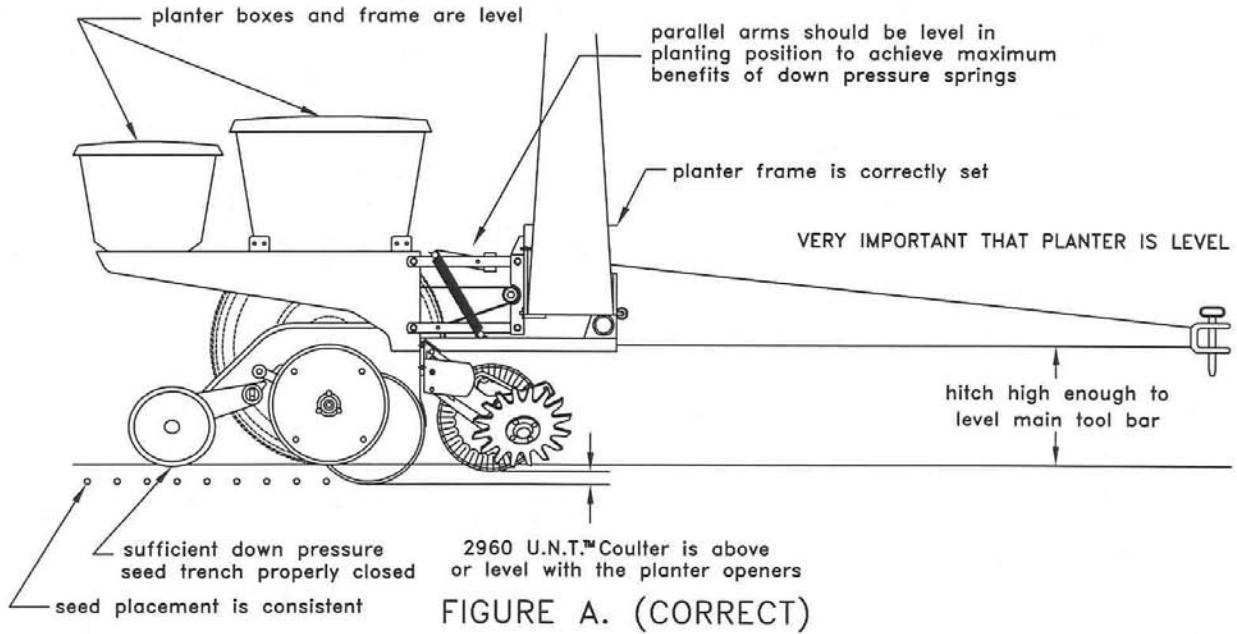
Read the planter operator's manual for recommended setting. Check to be sure the toolbar and row unit parallel arms are level fore and aft. **Re-check** when the planter is in the **field** and has been **fully loaded** with seed, fertilizer, granular chemicals, etc. Also, a field check with a bubble level on the frame should be made of the hitch height to ensure level operation front to back.

It is important for the planter to operate level laterally. Tire pressure must be maintained at pressures specified by the manufacturer.

Field and actual planting conditions change and will dictate planter frame heights. You must ensure that the row unit parallel arms are approximately parallel with the ground.

IMPORTANT: For proper operation of the planter attachments and row units, it is imperative that the planter toolbars and row unit parallel arms be level side-to-side and front-to-rear. The toolbar frame should operate at a 20"-22" height from the **planting surface**. Check the manufacturer's operator's manual for instructions on how to adjust the frame height and levelness.

PLANTER HEIGHT ADJUSTMENT



1720-19

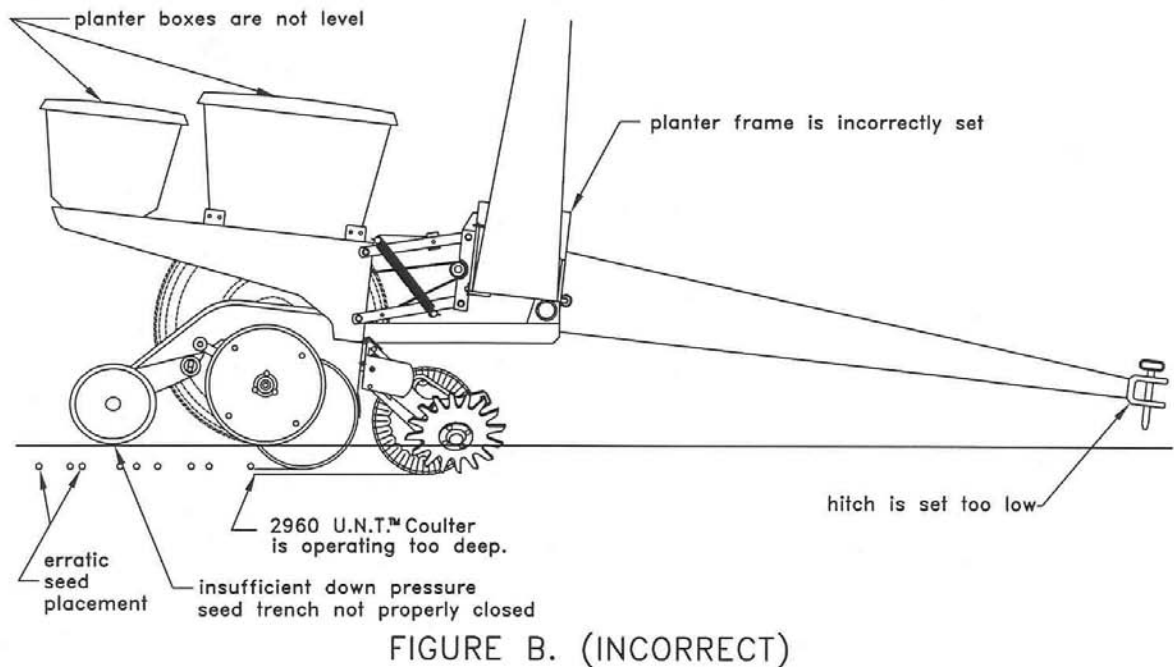


Figure A. – The planter hitch and frame are both 20” off the ground. To ensure this, visually check to see that the planter boxes are level and that the planter unit parallel arms are also parallel with the ground. **When using planter attachments located in front of the planter unit, this setting is very important.**

Figure B. – The planter hitch is set too low while the planter frame remains at 20” off the ground! Notice from the illustration that the unit mounted coulter is running deeper in the ground than the planter unit. This condition can result in the formation of an air pocket below the seedbed, which will in turn dramatically decrease seed growth.

NOTE: Both illustrations are strictly for reference only. They are intended to show that proper adjustment of the hitch height is critical. Consult your planter operator’s manual for the proper height adjustment of the hitch.

NOTES

Our name Is getting known

Just a few years ago, Yetter products were sold primarily to the Midwest only. Then we embarked on a program of expansion and moved into the East, the South, the West and now north into Canada. We're even getting orders from as far away as Australia and Africa.

So, when you buy Yetter products . . .you're buying a name that's recognized. A name that's known and respected. A name that's become a part of American agriculture and has become synonymous with quality and satisfaction in the field of conservation tillage.

Thank you.

YETTER MANUFACTURING CO.

Colchester, IL 62326-0358 • 309/776-4111

Toll Free 800/447-5777

Fax 309/776-3222

Website: WWW.YETTERCO.COM

E-MAIL: INFO@YETTERCO.COM

2565-692_REV_G • 01/2016