



**FRAME MOUNTED
SPRING LOADED
CONSERVATION
COULTER**

MODEL 2991 AND 2999

SET-UP & PARTS CATALOG

YETTER MANUFACTURING CO.

FOUNDED 1930

Colchester, IL 62326-0358

Toll free: 800/447-5777

309/776-3222 (Fax)

Website: www.yetterco.com

E-mail: info@yetterco.com

YETTER

YETTER MODEL 2991 and 2991 FRAME MOUNTED SPRING LOADED COULTER

BASIC COULTER BOX

2999-101 COULTER ASSEMBLY
2991-101 COULTER ASSEMBLY

CLAMPS

2990-154 CLAMP KIT 2-1/2 SQ. BAR
2990-155 CLAMP KIT 2 X 6 BAR
2990-156 CLAMP KIT 4 X 4 BAR
2990-157 CLAMP KIT 5 X 7 BAR
2990-158 CLAMP KIT 7 X 7 BAR
2990-159 CLAMP KIT 3" DIAMOND BAR
2990-160 CLAMP KIT 3-1/2" DIAMOND BAR
2990-161 CLAMP KIT 3 X 7 BAR
2990-162 CLAMP KIT 2-1/2 SQ. BAR, 1/2" SPACER
2990-163 CLAMP KIT 3" SQ. BAR

SHANKS

2990-310 SHANK 12-5/8"
2990-318 SHANK 16"
3010-303-SHANK 22"
2990-328 SHANK 26"
3011-302-SHANK 22" LONG, 5" OFFSET
2990-208 SHANK 12-5/8 LONG, 3" OFFSET
2990-342 SHANK 18", 3/4 OFFSET

WARRANTY POLICY

Yetter Manufacturing warrants all products manufactured and sold by it against defects in material. This warranty being expressly limited to replacement at the factory of such parts or products as will appear to be defective after inspection. This warranty does not obligate the Company to bear cost of labor in replacement of parts. It is the policy of the company to make improvements without incurring obligations to add them to any unit already sold. No warranty is made or authorized to be made, other than herein set forth. This warranty is in effect for one year after purchase.

Model Number: _____

Dealer : _____

Yetter Manufacturing warrants its own products only and cannot be responsible for damage to equipment on which mounted.

SAFETY PRECAUTIONS

You can make your farm a safer place to live and work if you observe the safety precautions given. Study these precautions carefully and insist that those working with you and for you follow them.

Finally, remember this: an accident is usually caused by someone's carelessness, neglect or oversight.

WARNING

Never clean, lubricate or adjust a machine that is in motion. Always lower or block the implement before performing service.

If machine must be serviced in the raised position, jack or block it up to prevent it from accidentally falling and injuring someone.

Do not allow riders on the tractor or implement.

Use speeds and caution dictated by the terrain being traversed. Do not operate on any slope steep enough to cause tipping or loss of control.

Be sure all personnel are clear of the immediate area before operating.

Read and understand the operator's manual and require all other persons who will operate the equipment to do the same.

Be familiar with all tractor and implement controls and be prepared to stop engine and implements quickly in an emergency.

CAUTION

Consult your implement and tractor operator's manual for correct and safe operating practices.

Beware of towed implement width and allow safe clearance.

FAILURE TO HEED MAY RESULT IN PERSONAL INJURY OR DEATH.

INSTALLATION

1. Assemble $3/8$ x $2-1/2$ " roll pin into hole at end of $1-1/2$ " dia. shank, leaving approximately equal amount protruding out each side.
2. Insert lock collar into pivot and slide shank up through casting and lock collar. If you wish to lock the coulter from pivoting, slide roll pin into slots in casting. If you wish to let coulter pivot, do not align roll pin with casting slots, but slide shank up until roll pin contacts casting surface. Install and tighten $5/8$ " setscrew in lock collar to 110 ft. lbs. torque maximum.
3. Mount 17" coulter blade to hub using (4) $1/2$ x $1-1/2$ " carriage bolts, lock washers and hex nuts.
4. Assemble clamp components loosely to tool bar as shown in parts view of appropriate clamp. The clamp setscrew must mount to the right, away from spring, as shown.
5. Position coulter clamps either toward the inside or outside of the planter openers on each side of planter to equalize draft. Tighten (4) $1/2$ " bolts in clamps.
6. Install coulters on planter by inserting shank up through clamps and tightening $5/8$ x 1" setscrews.
7. Install $5/16$ x $2-1/2$ " cotter pins in all vertical $1-1/2$ " dia. shanks. The roll pin prevents loss of coulter should the clamp setscrews work loose. Cotter pin can be installed between clamp castings or on top, above top castings, depending on shank used.
8. Set coulter depth by loosening setscrews in clamp castings.

OPERATION

GENERAL

Yetter Model 2999 coulter can be set up to swivel or not to swivel as required. It is preferable to allow the coulters to swivel usually.

When mounting 2999 coulters on 3-point or 2-point hitch planters, the coulters should be set up to swivel, particularly if a 4-wheel drive tractor is to be used. This reduces the side load on the coulter during operation.

In hard no-till conditions the desired operating depth may not be possible. Tighten spring nut to maintain depth if spring is flexing rather than lower coulter to obtain maximum depth.

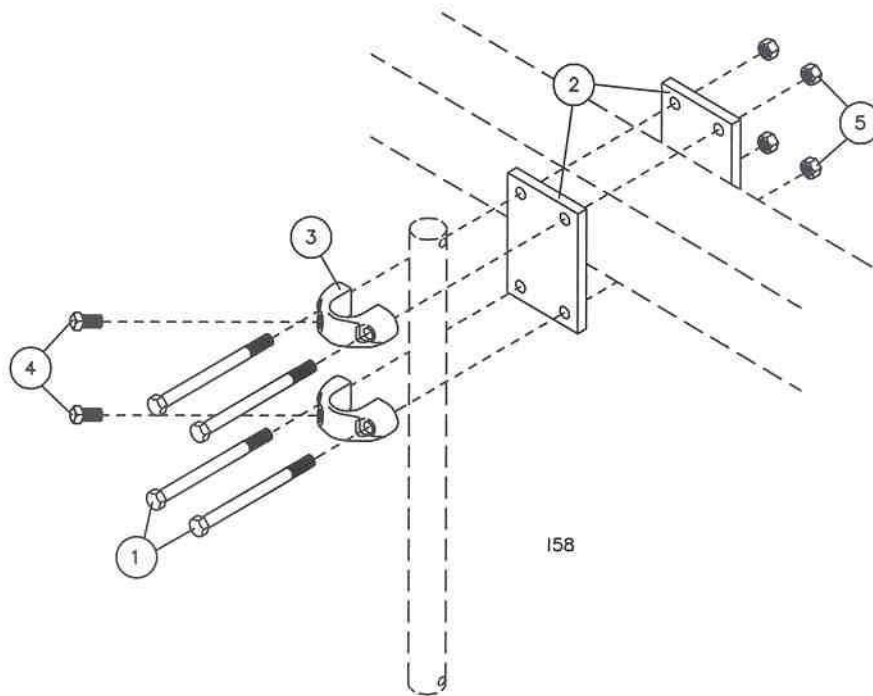
Planter weight may limit operating depth in hard conditions, particularly with mounted or semi-mounted planters. Be sure planter has enough weight to keep drive wheels on the ground during operation or plant population can be drastically affected.

1. Set coulter blades to run vertical to the ground. Operating depth and blade wear can be affected if coulter is mounted crooked. If coulters are set-up to not swivel, be sure they run straight with the direction of travel.
2. After a few hours use, check all bolts and setscrews for tightness.
3. After a few days use, check coulter hubs for loose bearings. There should be no endplay in the hub bearings to allow it to wobble. If necessary, remove hubcap and cotter pin, adjust slotted nut to remove wobble, re-insert cotter pin and replace hubcap.
4. If you have elected to let coulter swivel, set lock collar to allow swivel in one or both directions as required.

If you have elected to hold coulter rigid, set coulter straight with the direction of travel.

5. Set front spring tension by adjusting $\frac{3}{4}$ " lock nuts until $\frac{3}{4}$ " of threads are exposed above the nut. This should provide adequate down-pressure for most conditions. If additional pressure is required the nut may be tightened down further. **NOTE:** This will reduce vertical movement of coulter. Beware of obstacles and allow adequate movement to clear them.
6. Grease (2) fittings on each coulter before operation and weekly thereafter. The hub bearings should be greased only a few times each season.
7. **NEVER** mount coulters under planter drive shaft to allow coulter blade to contact shaft when obstacle is struck. Coulters must be mounted so blade always can flex up and clear drive shaft.

PARTS IDENTIFICATION



2990-154 Clamp Kit, 2-1/2" Sq. Bar

| Key | Qty. | Part No. | Description |
|-----|------|----------|-------------------------------|
| 1 | 4 | 2502-368 | 1/2-13 x 5-1/2" HHCS GR. 5 ZP |
| 2 | 2 | 2990-313 | Clamp Plate, 2-1/2 Square Bar |
| 3 | 2 | 2990-360 | Clamp Casting, Drilled |
| 4 | 2 | 2503-379 | 5/8-11 x 1 Sq. HCPSS Gr. 5 ZP |
| 5 | 4 | 2520-357 | 1/2-13 Hex Lock Nut ZP |
| 6 | 1 | 2515-690 | 5/8 OD Vinyl Tube, Cut 1-1/2" |

2990-155 Clamp Kit, 2 x 6 Bar

| Key | Qty. | Part No. | Description |
|-----|------|----------|-------------------------------|
| 1 | 4 | 2502-362 | 1/2-13 X 5" HHCS GR. 5 ZP |
| 2 | 2 | 2990-322 | Clamp Plate, 2 x 6 Bar |
| 3 | 2 | 2990-360 | Clamp Casting, Drilled |
| 4 | 2 | 2503-379 | 5/8-11 x 1 Sq. HCPSS Gr. 5 ZP |
| 5 | 4 | 2520-357 | 1/2-13 Hex Lock Nut ZP |

2990-156 Clamp Kit, 4 x 4 Bar

| Key | Qty. | Part No. | Description |
|-----|------|----------|--------------------------------------|
| 1 | 4 | 2502-371 | 1/2-13 x 7" HHCS GR. 5 ZP |
| 2 | 2 | 2990-314 | Clamp Plate, 4" Sq. & 3" Diamond Bar |
| 3 | 2 | 2990-360 | Clamp Casting, Drilled |
| 4 | 2 | 2503-379 | 5/8-11 x 1 Sq. HCPSS Gr. 5 ZP |
| 5 | 4 | 2520-357 | 1/2-13 Hex Lock Nut ZP |

2990-157 Clamp Kit, 5 x 7 Bar

| Key | Qty. | Part No. | Description |
|-----|------|----------|---------------------------------|
| 1 | 4 | 2502-369 | 1/2-13 X 8" HHCS GR. 5 ZP |
| 2 | 2 | 2990-315 | Clamp Plate, 5 x 7 or 7 x 7 Bar |
| 3 | 2 | 2990-360 | Clamp Casting, Drilled |
| 4 | 2 | 2503-379 | 5/8-11 x 1 Sq. HCPSS Gr. 5 ZP |
| 5 | 4 | 2520-357 | 1/2-13 Hex Lock Nut ZP |

NOTE: The 5/8" OD vinyl tube provided in 2990-154, 2990-158, 2990-161 and 2990-163 is required on implements using a 5/8" ID hose.

2990-158 Clamp Kit, 7 x 7 Bar

| Key | Qty. | Part No. | Description |
|-----|------|----------|---------------------------------|
| 1 | 4 | 2502-376 | 1/2-13 x 10" HHCS GR. 5 ZP |
| 2 | 2 | 2990-315 | Clamp Plate, 5 x 7 or 7 x 7 Bar |
| 3 | 2 | 2990-360 | Clamp Casting, Drilled |
| 4 | 2 | 2503-379 | 5/8-11 x 1 Sq. HCPSS Gr. 5 ZP |
| 5 | 4 | 2520-357 | 1/2-13 Hex Lock Nut ZP |
| 6 | 1 | 2515-690 | 5/8 OD Vinyl Tube, Cut 1-1/2" |

2990-161 Clamp Kit, 3 x 7 Bar

| Key | Qty. | Part No. | Description |
|-----|------|----------|---------------------------------|
| 1 | 4 | 2502-373 | 1/2-13 X 6" HHCS GR. 5 ZP |
| 2 | 2 | 2990-315 | Clamp Plate, 5 x 7 or 7 x 7 Bar |
| 3 | 2 | 2990-360 | Clamp Casting, Drilled |
| 4 | 2 | 2503-379 | 5/8-11 x 1 Sq. HCPSS Gr. 5 ZP |
| 5 | 4 | 2520-357 | 1/2-13 Hex Lock Nut ZP |
| 6 | 1 | 2515-690 | 5/8 OD Vinyl Tube, Cut 1-1/2" |

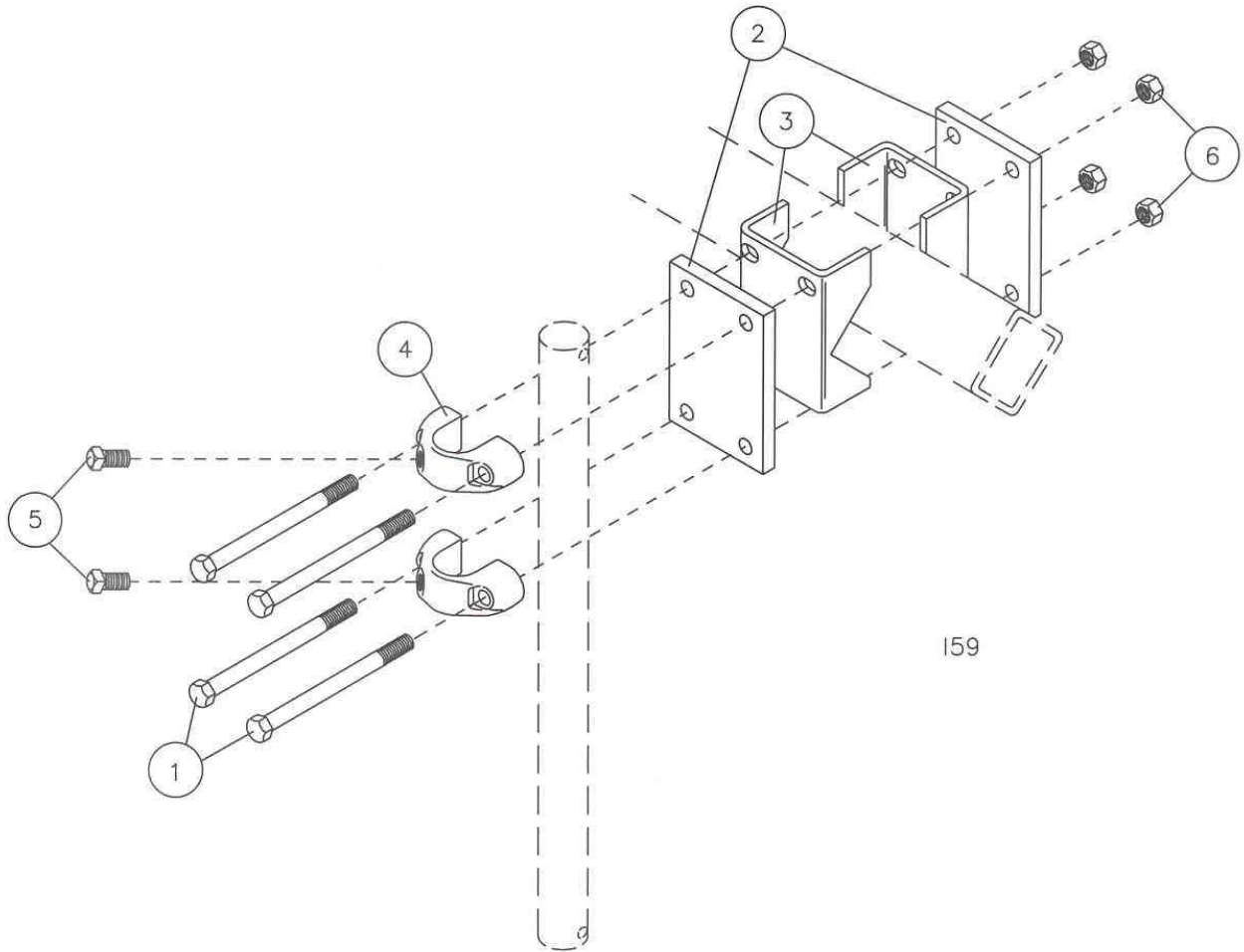
2990-163 Clamp Kit, 3 x 3 Bar

| Key | Qty. | Part No. | Description |
|-----|------|----------|-------------------------------|
| 1 | 4 | 2502-373 | 1/2-13 x 6" HHCS GR. 5 ZP |
| 2 | 2 | 2990-339 | Clamp Plate, 3" Square Bar |
| 3 | 2 | 2990-360 | Clamp Casting, Drilled |
| 4 | 2 | 2503-379 | 5/8-11 x 1 Sq. HCPSS Gr. 5 ZP |
| 5 | 4 | 2520-357 | 1/2-13 Hex Lock Nut ZP |
| 6 | 1 | 2515-690 | 5/8 OD Vinyl Tube, Cut 1-1/2" |

2990-171 Clamp Kit, 3 x 4 Bar

| Key | Qty. | Part No. | Description |
|-----|------|----------|----------------------------------|
| 1 | 4 | 2502-373 | 1/2-13 X 6" HHCS GR. 5 ZP |
| 2 | 2 | 2990-314 | Clamp Plate, 4" Sq. & 3" Dmd Bar |
| 3 | 2 | 2990-360 | Clamp Casting, Drilled |
| 4 | 2 | 2503-379 | 5/8-11 x 1 Sq. HCPSS Gr. 5 ZP |
| 5 | 4 | 2520-357 | 1/2-13 Hex Lock Nut ZP |
| 6 | 1 | 2515-690 | 5/8 OD Vinyl Tube, Cut 1-1/2" |

PARTS IDENTIFICATION



159

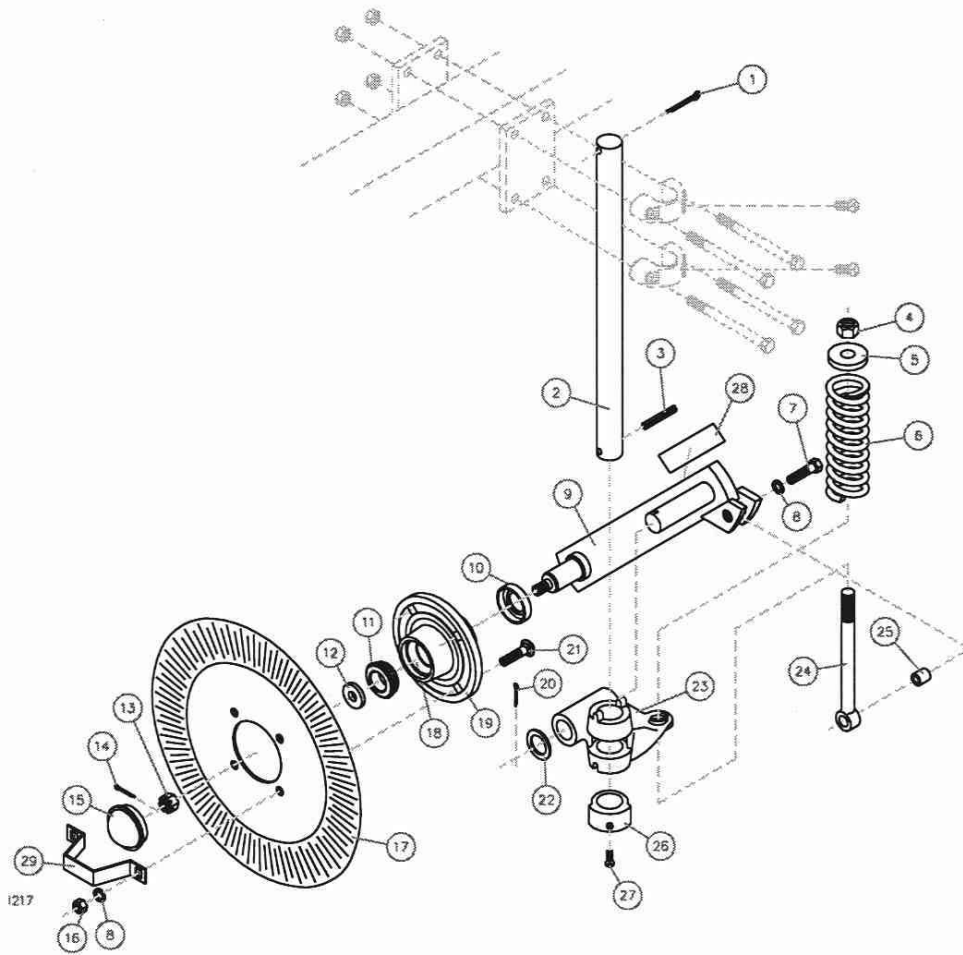
2990-159 Clamp Kit, 3" Diamond Bar

| Key | Qty. | Part No. | Description |
|-----|------|----------|-----------------------------------|
| 1 | 4 | 2502-369 | 1/2-13 x 8" HHCS Gr. 5 ZP |
| 2 | 2 | 2990-314 | Clamp Plate, 4" Sq. or 3" Diamond |
| 3 | 2 | 2970-326 | Adaptor, 3" Sq. Diamond Bar |
| 4 | 2 | 2990-360 | Clamp Casting, Drilled |
| 5 | 2 | 2503-379 | 5/8-11 x 1" Sq. HCPSS Gr. 5 ZP |
| 6 | 4 | 2520-352 | 1/2-13 Lock Hex Nut ZP |

2990-160 Clamp Kit, 3-1/2" Diamond Bar

| Key | Qty. | Part No. | Description |
|-----|------|----------|---------------------------------|
| 1 | 4 | 2502-374 | 1/2-13 x 9" HHCS Gr. 5 ZP |
| 2 | 2 | 2990-316 | Clamp Plate, 3-1/2" Diamond Bar |
| 3 | 2 | 2970-327 | Adaptor, 3-1/2" Sq. Diamond Bar |
| 4 | 2 | 2990-360 | Clamp Casting, Drilled |
| 5 | 2 | 2503-379 | 5/8-11 x 1" Sq. HCPSS Gr. 5 ZP |
| 6 | 4 | 2520-352 | 1/2-13 Lock Hex Nut ZP |

PARTS IDENTIFICATION



| KEY | QTY | PART NO. | DESCRIPTION |
|-----|-----|----------|------------------------------------|
| 1 | 1 | 2531-161 | 5/16 x 2 1/2 COTTER PIN ZP |
| 2 | 1 | 6300-331 | 19", 3/4" OFFSET SHANK |
| | 1 | 3011-302 | OFFSET COULTER SHANK, 5 1/2" |
| 3 | 1 | 2530-208 | 3/4 x 2 1/2 ROLL PIN ZP |
| 4 | 1 | 2520-515 | 3/4-10 LOCK HEX NUT ZP. |
| 5 | 1 | 2910-302 | SPRING BUSHING |
| 6 | 1 | 2910-311 | SPRING |
| 7 | 1 | 2502-317 | 1/2-13 x 1 3/4" HHCS GR. 5 ZP |
| 8 | 5 | 2525-352 | 1/2 MED. LOCKWASHER ZP |
| 9 | 1 | 2990-204 | ARM W.A. (2999) |
| 10 | 1 | 2550-066 | TRIPLE LIP SEAL, NTI #1812-4 |
| 11 | 2 | 2550-027 | CONE EWC #LM67048 |
| 12 | 1 | 2526-449 | 5/8" FLATWASHER, 1/4" ±M.010 THICK |
| 13 | 1 | 2520-469 | 5/8-18 SLOTTED HEX NUT, BLACK |
| 14 | 1 | 2531-102 | 1/8 x 1 1/4" COTTER KEY, BLACK |
| 15 | 1 | 2570-375 | HUB CAP |

| KEY | QTY | PART NO. | DESCRIPTION |
|-----|-----|----------|---------------------------------------|
| 16 | 4 | 2520-352 | 1/2-13 HEX NUT ZP |
| 17 | 1 | 2571-153 | 16" RIPPLE COULTER BLADE |
| | | 2571-167 | .138X17 MULTI HOLED DURA-FLUTE |
| | | 2571-154 | .157 X 17.6 X 1", 8 FLUTE |
| | | 2571-155 | .157 X 17.656" 13 FLUTE BLADE |
| | | 2571-179 | .157 X 17.63" 25 FLUTE BLADE |
| 18 | 2 | 2550-029 | CUP (PRE-ASSEM. W/ NO. 19) |
| 19 | 1 | 2900-105 | HUB PRESSED ASSEMBLY |
| 20 | 1 | 2531-125 | 1/4" x 1 3/4" COTTER PIN ZP. |
| 21 | 4 | 2505-339 | 1/2-13 x 1 1/2 CAR. BOLT GR. 5 ZP |
| 22 | 1 | 2526-561 | 1 17/64 ID x 1 7/8 OD x 14GA. M.B., B |
| 23 | 1 | 2990-311 | COULTER PIVOT CASTING |
| 24 | 1 | 2570-125 | PRESSURE ROD, 9 3/8" EYEBOLT |
| 25 | 1 | 2990-309 | PRESSURE ROD BUSHING |
| 26 | 1 | 2910-301 | LOCKING COLLAR, BLACK |
| 27 | 1 | 2503-379 | 5/8-11 x 1 SQ. HCPSS GR. 5 ZP |
| 28 | 1 | 2565-162 | YETTER DECAL, 1 1/2" X 4 1/2" |
| 29 | 1 | 2987-301 | HUB CAP RETAINER |

UPDATED 03/18/08

Our name Is getting known

Just a few years ago, Yetter products were sold primarily to the Midwest only. Then we embarked on a program of expansion and moved into the East, the South, the West and now north into Canada. We're even getting orders from as far away as Australia and Africa.

So, when you buy Yetter products . . .you're buying a name that's recognized. A name that's known and respected. A name that's become a part of American agriculture and has become synonymous with quality and satisfaction in the field of conservation tillage.

Thank you.

YETTER MANUFACTURING CO.
Colchester, IL 62326-0358 ☎ 309/776-4111
Toll Free 800/447-5777
Fax 309/776-3222
Website: www.yetterco.com
E-mail: info@yetterco.com

2565-579 ☎ 03/08