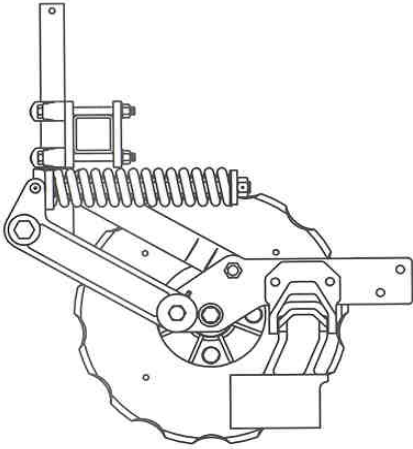


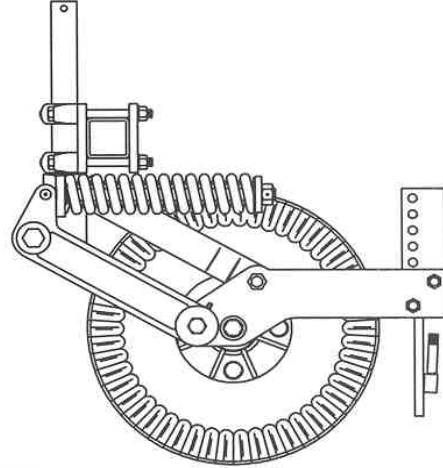
FERTILIZER PLACEMENT OPTIONS

2995 SIDE PROFILE KNIFE



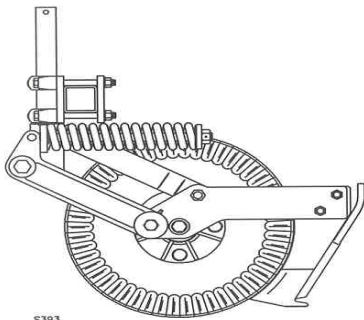
S393

2995 SPRING MOUNTED INJECTION SYSTEM



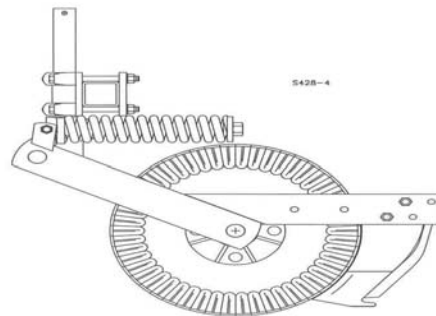
S393

2995 STANDARD REAR KNIFE



S393

2995 GEN III STANDARD REAR KNIFE



S428-4