

Frame Mount Fertilizer Coultter & Unit Mounted Coultter/R.M. Combination Illustrations

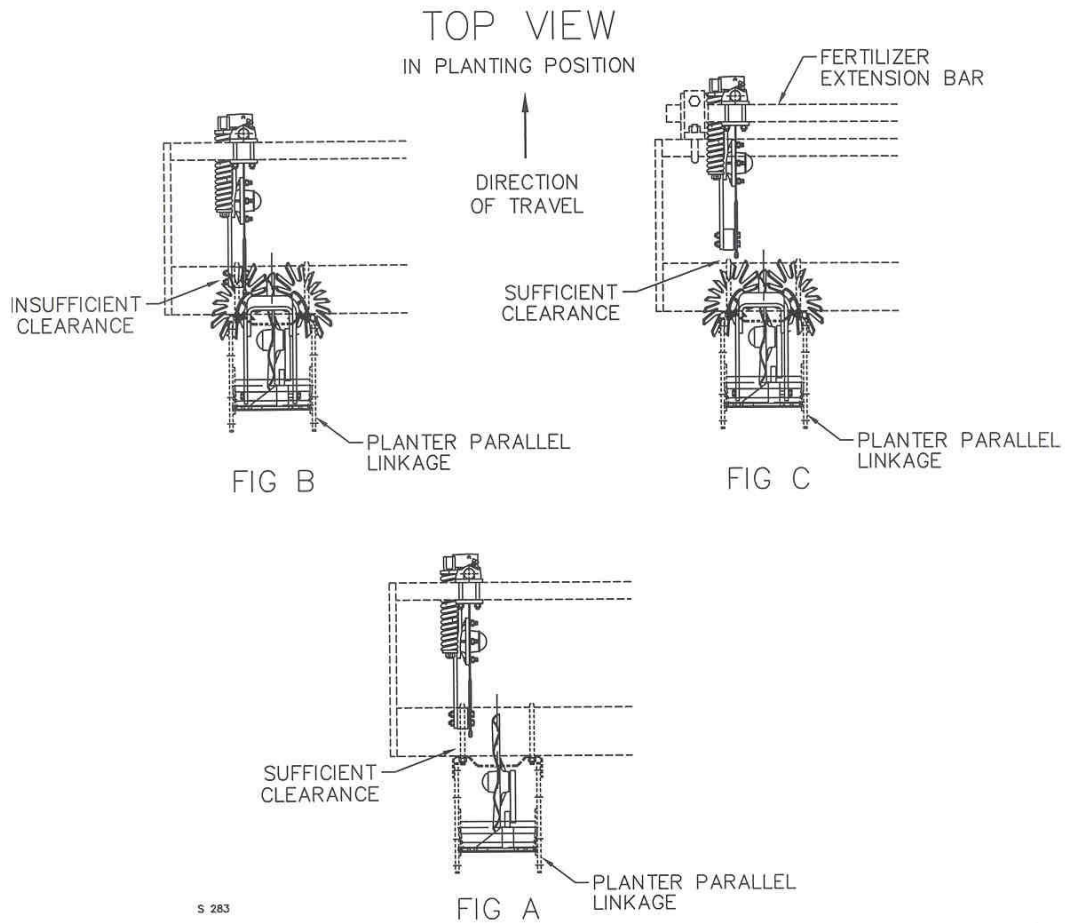


FIG A – Shows a unit mounted coultter with fertilizer coultter 2” off the row.
Sufficient clearance available for proper operation.

FIG B – Shows a unit mounted coultter with residue manager combo with fertilizer coultter 2” off the row.
Insufficient clearance is available for proper operation.

FIG C – Shows a unit mounted coultter with residue manager combo with extended fertilizer
coultter 2” off the row.
Sufficient clearance available for proper operation.
Consult your buyers guide for proper extension method for your planter.

IMPORTANT NOTICE: Adjust pivot collar so that the Fertilizer Coultter can pivot away
from the unit coultter to allow for residue flow.