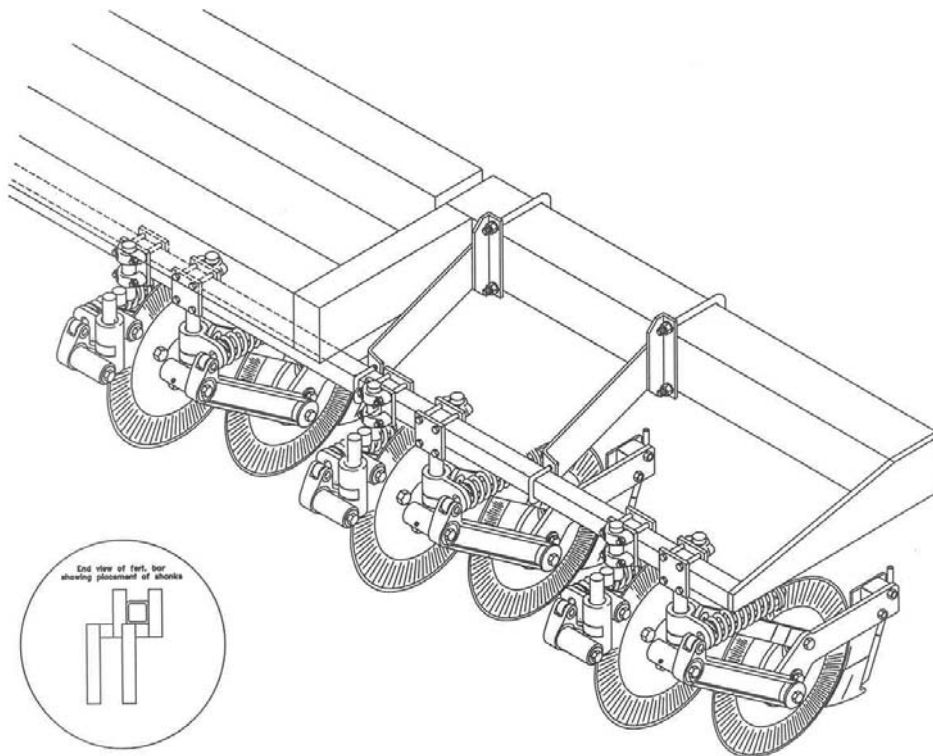


JOHN DEERE 7000 Front Fold Planter

8, 12 and 16 row

Equipped with: John Deere 2 1/2" fert. bar
6005-104 (reinforcing bracket)
2975-172 (front bar kit)
2995-035-L (left hand liquid fert. coulter with 3" offset shank)
2995-035-R (right hand liquid fert. coulter with 3" offset shank)



257

(partial illustration of 8 row model shown)

Illustration may not accurately depict row spacing.

Note - The two coulters for each row require 3" offset shanks and must be mounted a minimum distance of 2"-3" from either side of the row. One shank mounts on the front of the bar and one mounts on the back of the bar with both being offset toward the front.

Note - For double coulters with other coulter combinations, the same configuration shown would apply.