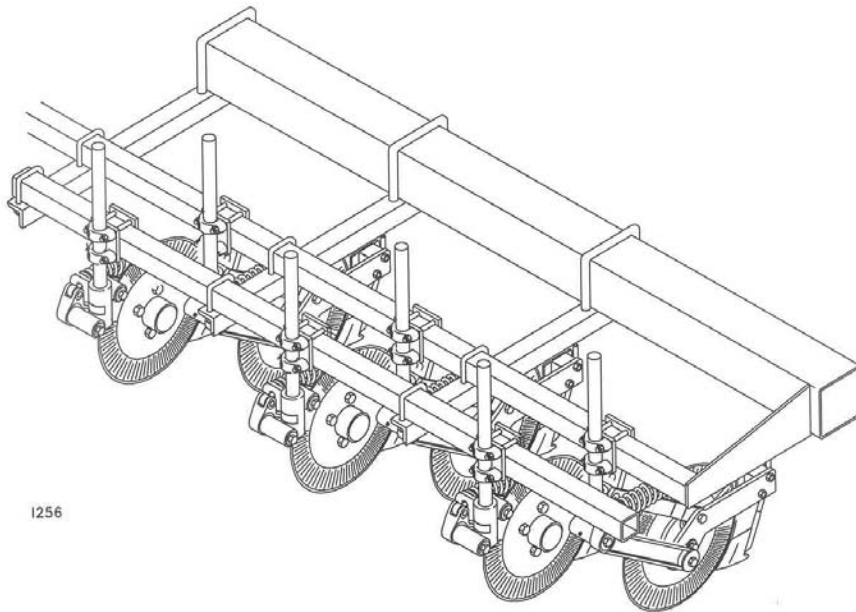


**JOHN DEERE 1750 Conservation Planter
JOHN DEERE 7200 Drawn Planter
4, 6, and 8 Row**

Equipped with: 2975-130 -- 4 N/W & 6 N (front bar kit) or
2975-131 -- 6 W & 8 N (front bar kit)
2995-001-L (left hand liquid fertilizer coulters)
2995-001-R (right hand liquid fertilizer coulters)
2975-129 -- 3 X 3 Reinforcing Bracket Kit



(partial illustration of 6 row model shown)

Illustration may not accurately depict row spacing.

Note - The two coulters for each row require straight shanks and must be mounted a minimum distance of 2"-3" from either side of the row. Each shank mounts on the front of the bar.

Note - For double coulters with other coulters combinations, the same configuration shown would apply.

Note - Double coulters are not applicable on 8 row 30" planter frames.