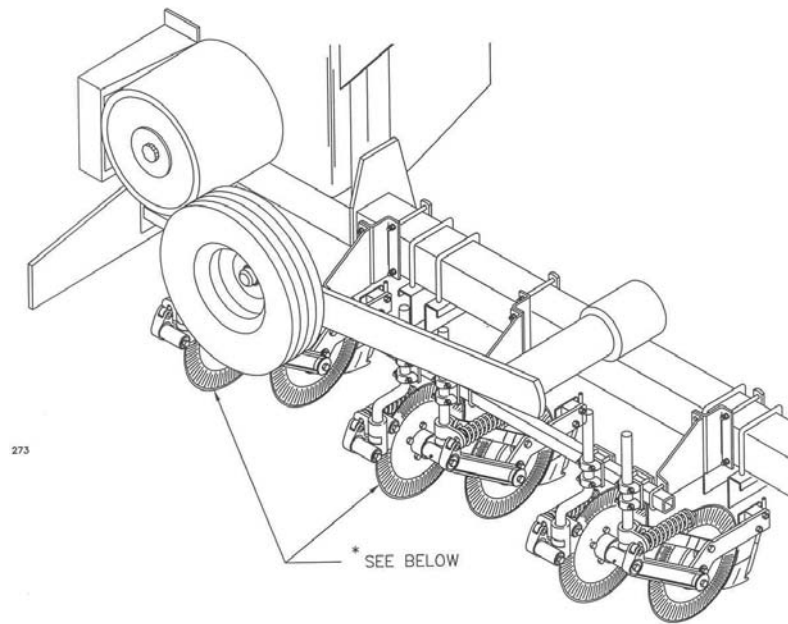


CASE/IH 800-900/950-955/1200 & New Holland SP480 Trailing Cyclo Planter 8 and 12 Row

Equipped with: Endwise Transport
2970-179 (front bar mount kit)
2995-010-L (left hand liquid fertilizer couler)
2995-010-R (right hand liquid fertilizer couler)
3011-302 (5" offset shank to replace 1/2 of the straight shanks)
2920-305 (swivel collar)



***Note** - Before transporting, two of the coulters must be pivoted to clear the endwise transport wheel

Note - For each row, one couler requires a straight shank and one requires a 5" offset shank. Both coulters must be mounted a minimum distance of 2"-3" from either side of the row. Each shank mounts on the front of the fert. frame with the 5" offset towards the front.

Note - For double coulters with other couler combinations, the same configuration shown would apply.