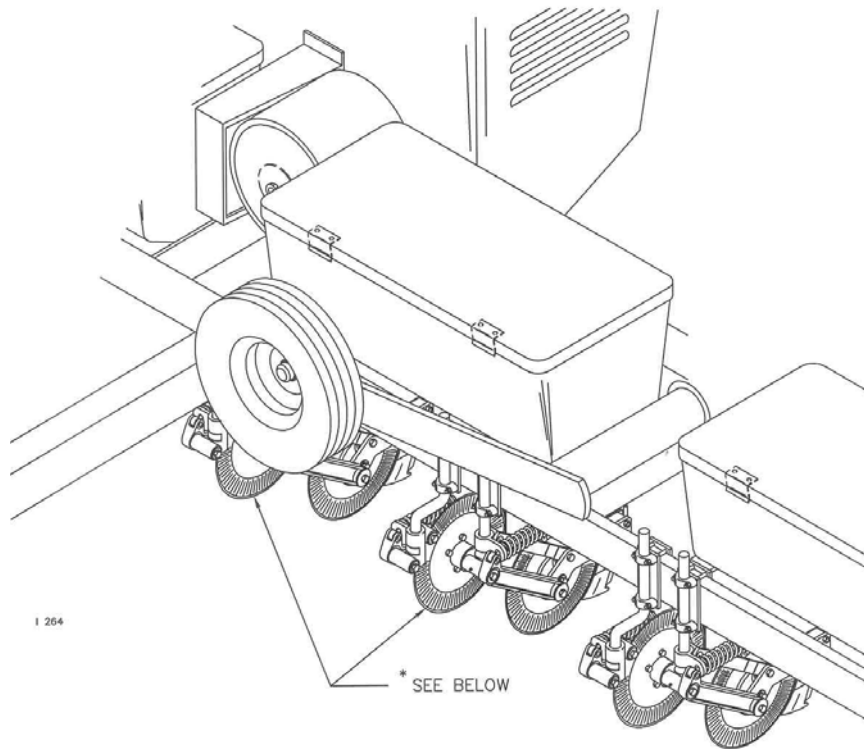


**CASE/IH 800-900/950-955/1200 NEW HOLLAND SP480**  
**Trailing Cyclo Planter**  
**8 and 12 Row**

**Equipped with:** 2"x 6" fert. frame PLUS Endwise Transport  
2995-002-L (left hand fert. coulters for 2"x 6" fert. frame)  
2995-002-R (right hand fert. coulters for 2"x 6" fert. frame)  
3011-302 (5" offset shank to replace 1/2 of the straight shanks)  
2920-305 (swivel collar)



**(partial illustration of 8 row model shown)**  
Illustration may not accurately depict row spacing

**\*Note** - Before transporting, two of the coulters must be pivoted to clear the endwise transport wheel

**Note** - For each row, one coulters requires a straight shank and one requires a 5" offset shank. Both coulters must be mounted a minimum distance of 2"-3" from either side of the row. Each shank mounts on the front of the 2"x 6" fert. frame with the 5" offset towards the front.

**Note** - For double coulters with other coulters combinations, the same configuration shown would apply.