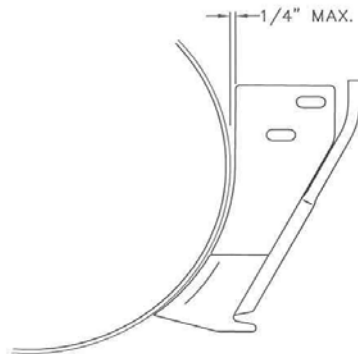
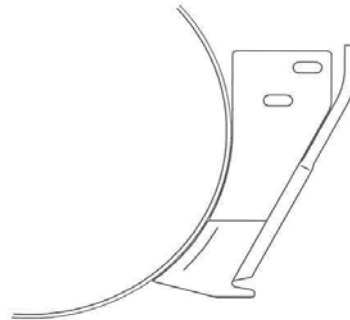


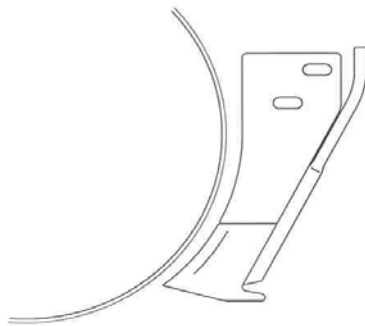
FERTILIZER KNIFE ADJUSTMENT



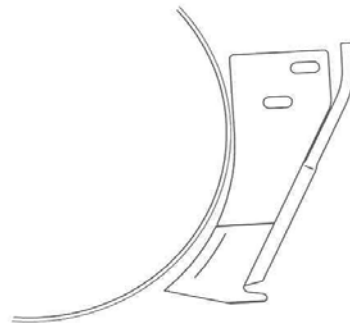
CORRECT



CORRECT



INCORRECT



INCORRECT

S 286

The adjustment of knife clearance to the blade is critical to trouble free operation for the fertilizer coulter, in certain conditions the coulter can "plug" in just a few feet if not correctly adjusted.

1. The disc blade must run concentric. Adjust by loosening four hub nuts and centering the blade.
2. Set knife to rub slightly on blade, especially at bottom of knife. See illustrations above. Tighten lock nuts securely.