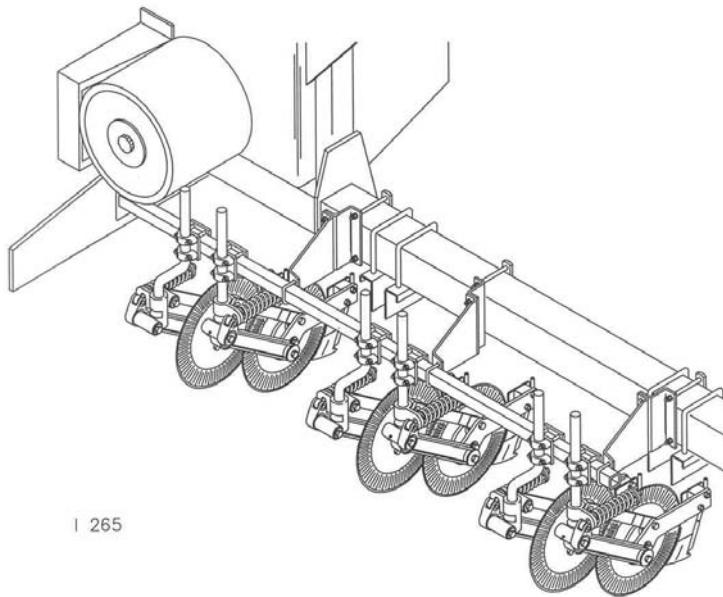


CASE/IH 800-900/950/955/1200 NEW HOLLAND SP480
Rigid Trailing Cyclo Planter
4, 6, 8, and 12 Row

Equipped with: 2970-179 (front bar mount kit)
2995-006-L (left hand liquid fertilizer coulters)
2995-006-R (right hand liquid fertilizer coulters)
3011-302 (5" offset shank to replace 1/2 of the straight shanks)



(Partial illustration of 6 row model shown)

Illustration may not accurately depict row spacing.

Note - For each row, one coulters requires a straight shank and one requires a 5" offset shank. Both coulters must be mounted a minimum distance of 2"-3" from either side of the row. Each shank mounts on the front of the fertilizer bar with the 5" offset towards the front.

Note - For double coulters with other coulters combinations, the same configuration shown would apply.