



**FERTILIZER COULTER
MOUNTING BARS AND
EXTENSION KITS**

**2565-301_REV_A 02/2015
SET-UP & PARTS MANUAL**

YETTER MANUFACTURING CO.
FOUNDED 1930

Colchester, IL 62326-0358
Toll free: 800/447-5777
309/776-3222 (Fax)
Website: www.yetterco.com
E-mail: info@yetterco.com

YETTER

FOREWORD

You've just joined an exclusive but rapidly growing club.

For our part, we want to welcome you to the group and thank you for buying a Yetter product.

We hope your new Yetter products will help you achieve both goals-increase your productivity and increase your efficiency so that you may generate more profit.

This operator's manual has been designed into four major sections: Foreword, Safety Precautions, Installation Instructions and Parts Breakdown.



This **SAFETY ALERT SYMBOL** indicates important safety messages in the manual. When you see this symbol, be alert to the possibility of **PERSONAL INJURY** and carefully read the message that follows.

The word **NOTE** is used to convey information that is out of context with the manual text. It contains special information such as specifications, techniques and reference information of a supplementary nature.

The word **IMPORTANT** is used in the text when immediate damage will occur to the machine due

to improper technique or operation. Important will apply to the same information as specified by note only of an immediate and urgent nature.

It is the responsibility of the user to read the operator's manual and comply with the safe and correct operating procedure and to lubricate and maintain the product according to the maintenance schedule in the operator's manual.

The user is responsible for inspecting his machine and for having parts repaired or replaced when continued use of the product would cause damage or excessive wear to the other parts.

It is the user's responsibility to deliver his machine to the Yetter dealer who sold him the product for service or replacement of defective parts, which are covered by the warranty policy.

If you are unable to understand or follow the instructions provided in this publication, consult your local Yetter dealer or contact:

YETTER MANUFACTURING CO.

309/776-4111

800/447-5777

309/776-3222 (FAX)

Website: www.yetterco.com

E-mail: info@yetterco.com

WARRANTY

Yetter Manufacturing warrants all products manufactured and sold by it against defects in material. This warranty being expressly limited to replacement at the factory of such parts or products as shall appear to be defective after inspection. This warranty does not obligate the Company to bear cost of labor in replacement of parts. It is the policy of the Company to make improvements without incurring obligations to add them to any unit already sold. No warranty is made or authorized to be made, other than herein set forth. This warranty is in effect for one year after purchase.

DEALER: _____

Yetter Manufacturing warrants its own products only and cannot be responsible for damages to equipment on which mounted.

SAFETY

A brief description of signal words that may be used in this manual:

CAUTION: Used as a general reminder of good safety practices or to direct attention to unsafe practices.

WARNING: Denotes a specific potential hazard.

DANGER: Denotes the most serious specific potential hazard.

SAFETY PRECAUTIONS

You can make your farm a safer place to live and work if you observe the safety precautions given. Study these precautions carefully and insist that those working with you and for you follow them.

Finally, remember this: an accident is usually caused by someone's carelessness, neglect or oversight.



WARNING

Never clean, lubricate or adjust a machine that is in motion. Always lower or block the implement before performing service.

If the machine must be serviced in the raised position, jack or block it up to prevent it from accidentally falling and injuring someone.

Do not allow riders on the tractor or implement.

Use speeds and caution dictated by the terrain being traversed. Do not operate on any slope steep enough to cause tipping or loss of control.

Be sure all personnel are clear of the immediate area before operating.

Read and understand the operator's manual and require all other persons who will operate the equipment to do the same.

Be familiar with all tractor and implement controls and be prepared to stop engine and implements quickly in an emergency.



CAUTION

Consult your implement and tractor operator's manual for correct and safe operating practices.

Beware of towed implement width and allow safe clearance.

FAILURE TO HEED MAY RESULT IN PERSONAL INJURY OR DEATH.

TABLE OF CONTENTS
SECTION 1, PARTS IDENTIFICATIONS

JOHN DEERE PLANTERS	PAGE
JOHN DEERE 7000 DRAWN PLANTERS	
2970-135 Front Bar Kit, 4R & 6RN.....	6
2970-136 Front Bar Kit, 6RW & 8RN.....	6
6005-104 Front Bar Reinforcing Brkt. Assembly (7x7 Bar).....	7
6005-105 Front Bar Reinforcing Brkt. Assembly (5x7 Bar).....	7
2975-188 6" Set Back Kit.....	8
JOHN DEERE 7100/7300 3PT. MOUNTED PLANTER	
2990-142 Front Bar Mounting Kit, 4R.....	10
2990-143 Front Bar Mounting Kit, 6R.....	10
2990-140 Front Bar Mounting Kit, 8R-W.....	10
2990-141 Front Bar Mounting Kit, 8R & 12R-N.....	10
2975-132 Hitch Offset Kit, 7" JD 7100 Only.....	11
2975-137 JD 7300 Flex Hitch Offset Kit.....	12
2975-138 JD 7300 Rigid Hitch Offset Kit.....	13
JOHN DEERE 7200 DRAWN PLANTER	
2975-130 4R-N/W & 6R-N 3 x 3 Extension Kit.....	14
2975-131 6R-W & 8R-N 3 x 3 Extension Kit.....	14
2975-129 3 x 3 Front Bar Reinforcing Brkt. Kit.....	15
2975-189 6" Setback Kit.....	15
JOHN DEERE 7200 FLEX FOLD PLANTER	
2990-167 Front Fold Kit, JD 7200 12R-N Flex Fold (Dry Fertilizer).....	16
2990-177 Front Fold Kit, JD 7200 8R Flex Fold (Dry Fertilizer).....	16
2975-172 Mounting Kit, JD 7200 12R-N Flex Fold (Liquid Fertilizer).....	18
2975-128 Mounting Kit, JD 7200 16R Flex Fold (Liquid Fertilizer).....	19
2995-128 Mounting Kit, JD 7200 24R-N Flex Fold (Liquid Fertilizer).....	20
CASE/IH PLANTERS	
TRAILING CASE/IH 800 & 900 CYCLO PLANTER	
2970-044 Extension Bar Kit, 4R-W Case/IH 800 & 900 (Dry Fertilizer).....	21
2970-063 Extension Bar Kit, 6R-N Case/IH 800 & 900 (Dry Fertilizer).....	21
2970-179 Front Bar Mounting Kit, 4R/6R Case/IH 800 & 900.....	22
SEMI-MOUNTED CASE/IH 800 & 900 CYLCO PLANTER	
2990-131 Front Bar Mounting Kit, 8R-W, 8R-N & 12R-N Case/IH 800 & 900 Semi-Mounted.....	23

KINZE OR NEW IDEA PULL TYPE PLANTERS

2975-142 Bar Remount Kit, Kinze Series II Sngl. Frame (Dry Fertilizer).....	24
2995-056 Pusher Mounting Kit.....	25
Front Bar Mounting Kit, 100" Bars.....	26

WHITE PLANTERS

2990-148 Front Bar Mounting Kit, Pull Type, 4R-N/W & 6R-N (For Pull Type Planters Without Fertilizer Bar).....	26
---	----

WHITE 5100 SERIES DRAWN PLANTER

2970-162 10" Extension Bracket (To Move 3 x 3 Diamond Bar 10" Forward).....	27
2970-163 Extension Bracket Assembly (Dry Fertilizer Bar).....	28

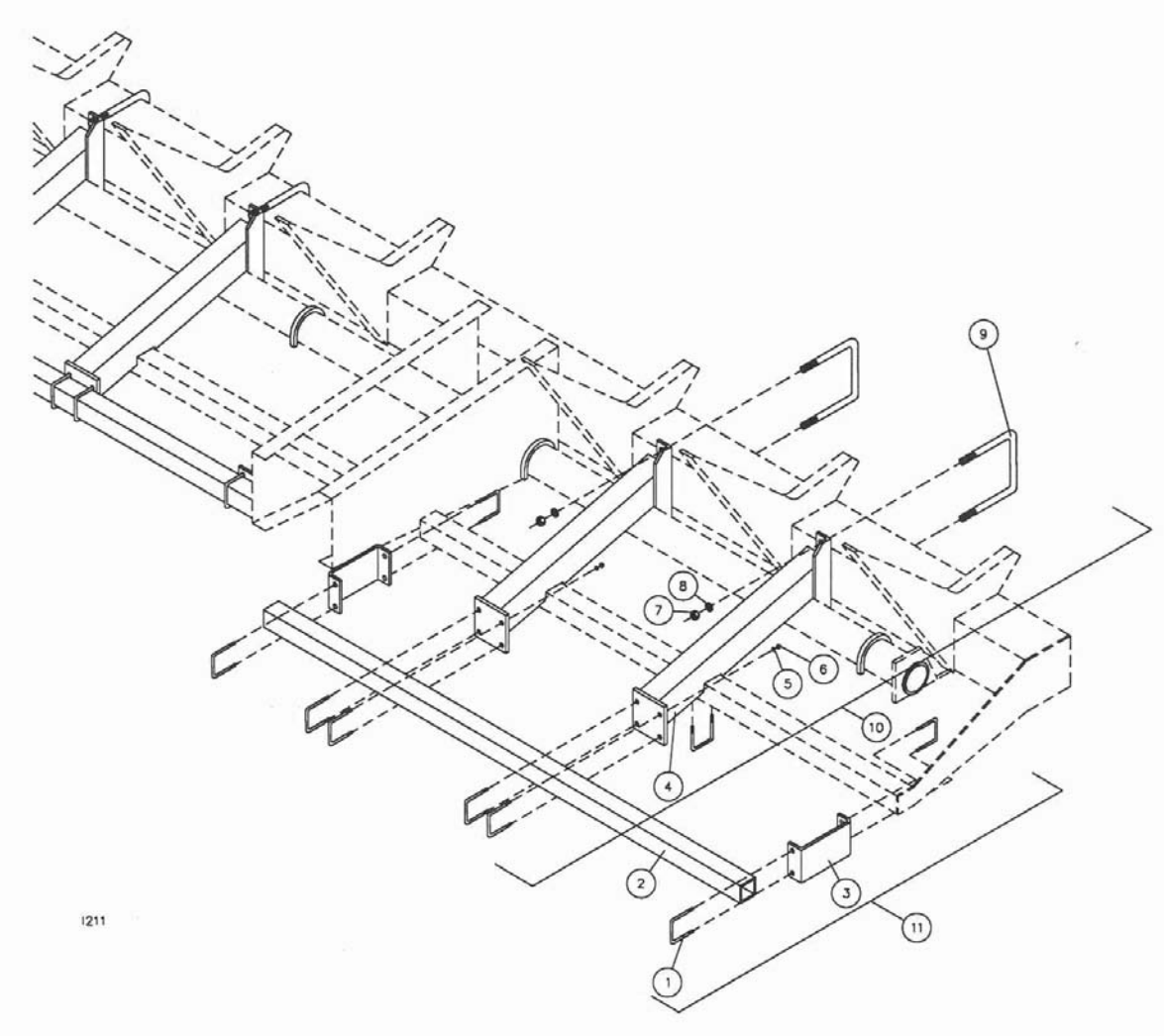
SECTION II, COULTER / BRACKET LAYOUT**JOHN DEERE 7000 DRAWN PLANTER**

2970-136 Front Bar Kit, 6R & 8R.....	29
--------------------------------------	----

JOHN DEERE 7200 FLEX FOLD PLANTER

2990-167 Front Fold Kit, JD 7200 12R-N Flex Fold (Dry Fertilizer).....	30
2990-177 Front Fold Kit, JD 7200 8R Flex Fold (Dry Fertilizer).....	31
2975-172 Mounting Kit, JD 7200 12R-N Flex Fold (Liquid Fertilizer).....	32
2975-128 Mounting Kit, JD 7200 16R Flex Fold (Liquid Fertilizer).....	33-34
2995-128 Mounting Kit, JD 7200 24R-N Flex Fold (Liquid Fertilizer).....	35

**2970-135 FRONT BAR KIT, 4R, 6R AND
2970-136 FRONT BAR KIT, 6RW & 8RN
FOR JD 7000 DRAWN PLANTER, DRY FERTILIZER**



1211

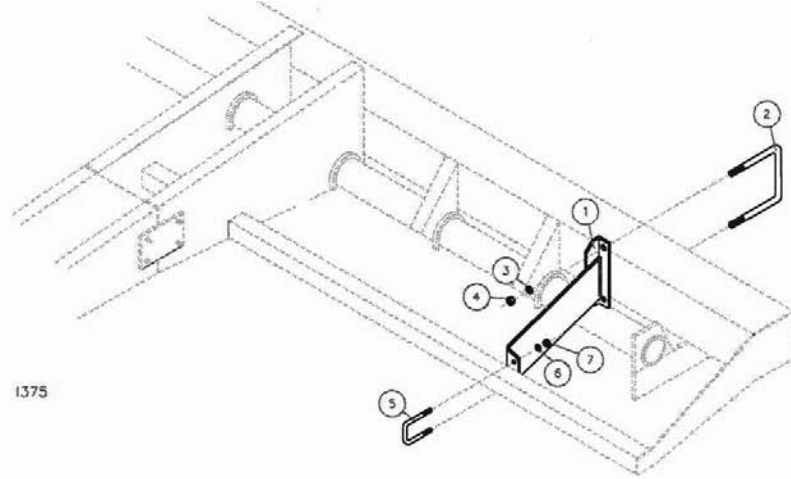
2970-135 FRONT BAR KIT, 4R & 6R

1	20	2570-568	1/2 X 2 1/2 X 3 1/2 U-BOLT, ZP
2	2	2990-359	COULT. BAR, 2 1/2 SQ X 76"
3	4	2970-367	EXTENSION BAR BRACE, 8 1/4"
4	4	2970-229	EXTENSION BAR BRKT WA 10 3/4"
5	40	2525-352	1/2 MED LOCKWASHER ZP
6	40	2520-352	1/2-13 HEX NUT ZP
7	8	2520-504	3/4-10 HEX NUT ZP
8	8	2525-501	3/4 MED LOCKWASHER ZP
9	4	2570-477	3/4 X 7 X 7 U-BOLT, ZP
9	4	2570-478	3/4 X 7 X 9 U-BOLT, ZP
10	4	2970-134	EXTENSION BAR BRACKET ASS'Y (INCLUDES 1, 4-9)
11	4	2970-157	EXTENSION BRACE ASSEMBLY (INCLUDES 1, 3, 5, 6)

2970-136 FRONT BAR KIT, 6RW & 8RN

1	26	2570-568	1/2 X 2 1/2 X 3 1/2 U-BOLT, ZP
2	2	2975-316	100" FRONT BAR, 2 1/2" SQ
3	4	2970-367	EXTENSION BAR BRACE, 8 1/4"
4	6	2970-229	EXTENSION BAR BRKT WA 10 3/4"
5	52	2525-352	1/2 MED LOCKWASHER ZP
6	52	2520-352	1/2-13 HEX NUT ZP
7	12	2520-504	3/4-10 HEX NUT ZP
8	12	2525-501	3/4 MED LOCKWASHER ZP
9	6	2570-477	3/4 X 7 X 7 U-BOLT, ZP
9	6	2570-478	3/4 X 7 X 9 U-BOLT, ZP
10	6	2970-134	EXTENSION BAR BRACKET ASS'Y (INCLUDES 1, 4-9)
11	4	2970-157	EXTENSION BRACE ASSEMBLY (INCLUDES 1, 3, 5, 6)

FRONT BAR BRACKET ASSEMBLY
6005-104 FRONT BAR REINFORCING BRACKET ASSEMBLY (7 X 7 BAR)
6005-105 BAR REINFORCING BRACKET ASSEMBLY (5 X 7)
FOR JD DRAWN PLANTER



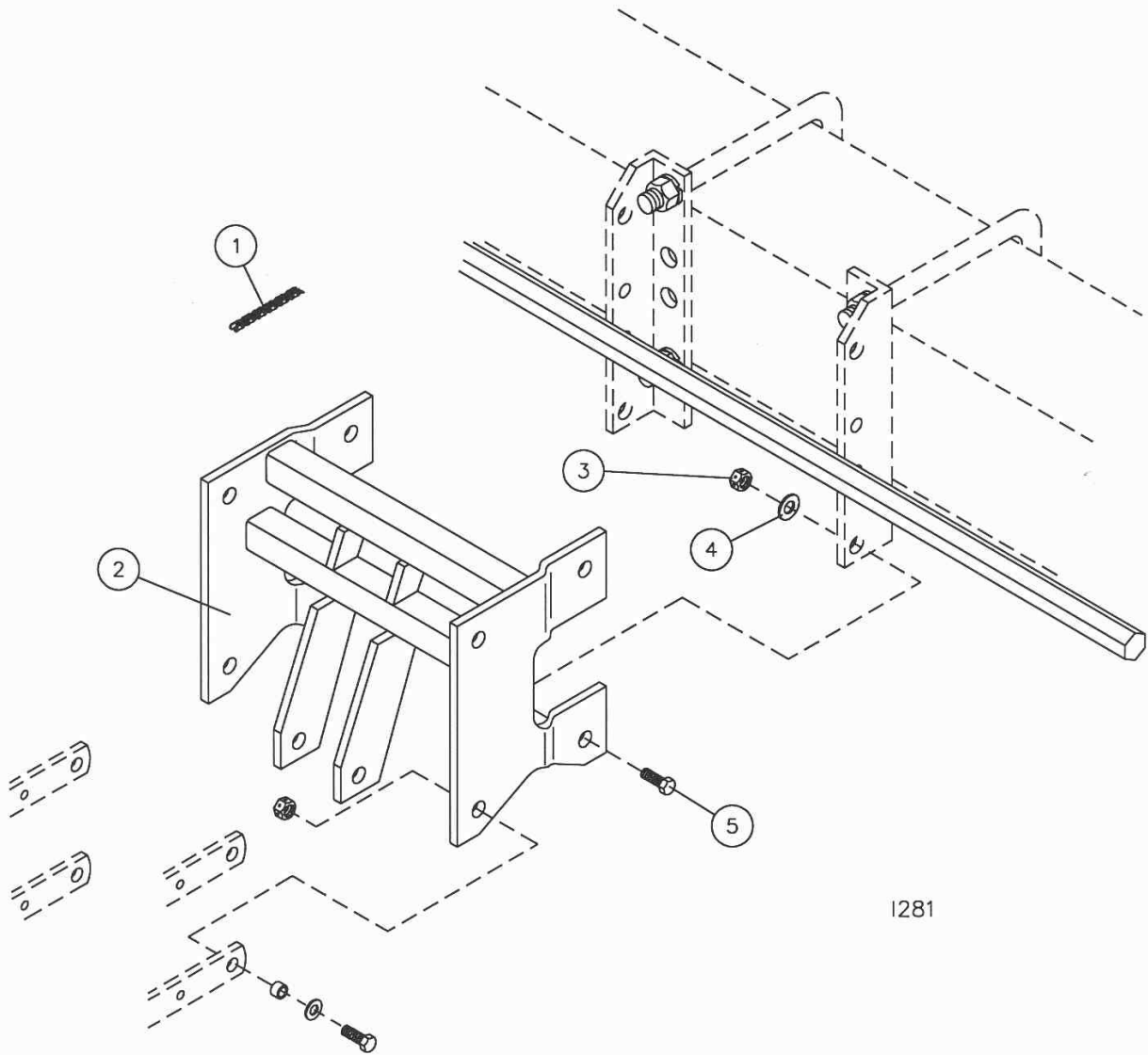
FRONT BAR BRACKET ASSEMBLY
 6005-104 FRONT BAR REINFORCING BRACKET ASSEMBLY (7 x 7 BAR)
 FOR JD 7000 DRAWN PLANTER

Key	Qty	Part No.	Description
1	2	6005-214	FRONT BAR BRACKET W.A. BLK.
2	1	2570-478	3/4 x 7 x 9 U-BOLT, ZP.
3	2	2525-501	3/4 MEDIUM LOCKWASHER ZP.
4	2	2520-504	3/4-10 HEX NUT ZP.
5	1	2570-568	1/2 x 2-1/2 x 3-1/2 U-BOLT ZP.
6	2	2525-352	1/2 MED. LOCKWASHER ZP.
7	2	2520-352	1/2-13 HEX NUT ZP.

FRONT BAR BRACKET ASSEMBLY
 6005-105 FRONT BAR REINFORCING BRACKET ASSEMBLY (5 x 7 BAR)
 FOR JD 7000 DRAWN PLANTER

Key	Qty	Part No.	Description
1	2	6005-214	FRONT BAR BRACKET W.A. BLK.
2	1	2570-477	3/4 x 7 x 7 U-BOLT, ZP.
3	2	2525-501	3/4 MEDIUM LOCKWASHER ZP.
4	2	2520-504	3/4-10 HEX NUT ZP.
5	1	2570-568	1/2 x 2-1/2 x 3-1/2 U-BOLT ZP.
6	2	2525-352	1/2 MED. LOCKWASHER ZP.
7	2	2520-352	1/2-13 HEX NUT ZP.

2975-188 6" SETBACK KIT, 7000 & KINZE



1281

KEY	QTY.	PART NO.	DESCRIPTION
1	1	2570-233	CHAIN, #41, 23 PITCHES & CONNECTOR
2	1	2975-270	SETBACK W.A., 7000 & KINZE
3	4	2520-459	5/8-11 LOCK HEX NUT ZYD
4	4	2526-451	5/8 STD. FLAT WASHER ZYD
5	4	2502-331	5/8-11 X 1 3/4" HHCS GR 5 ZYD

FRONT BAR MOUNTING INSTRUCTIONS

Yetter Front Bar Mounting Kits are designed to provide 2-1/2" square bar in front of the planter 7 x 7 bar. These attachments will not mount correctly on tractors with rear tires larger than recommended by tractor manufacturers. Three-point hitches must comply with ASAE standards.

3PT. HITCH PLANTERS

Narrow Row (30" to 36" rows)

1. Category III Quick Coupler required on the tractor to allow bar installation. See opposite page.
2. Install brackets and bars as shown. The short 2-1/2" square tube mounts in the center.
3. The 67" long 2-1/2" square tubes need to be cut off to the proper length for each particular planter. Set up as shown to determine where bars should be cut off. Provide at least 6" between bars in hinge area to allow wing flex.

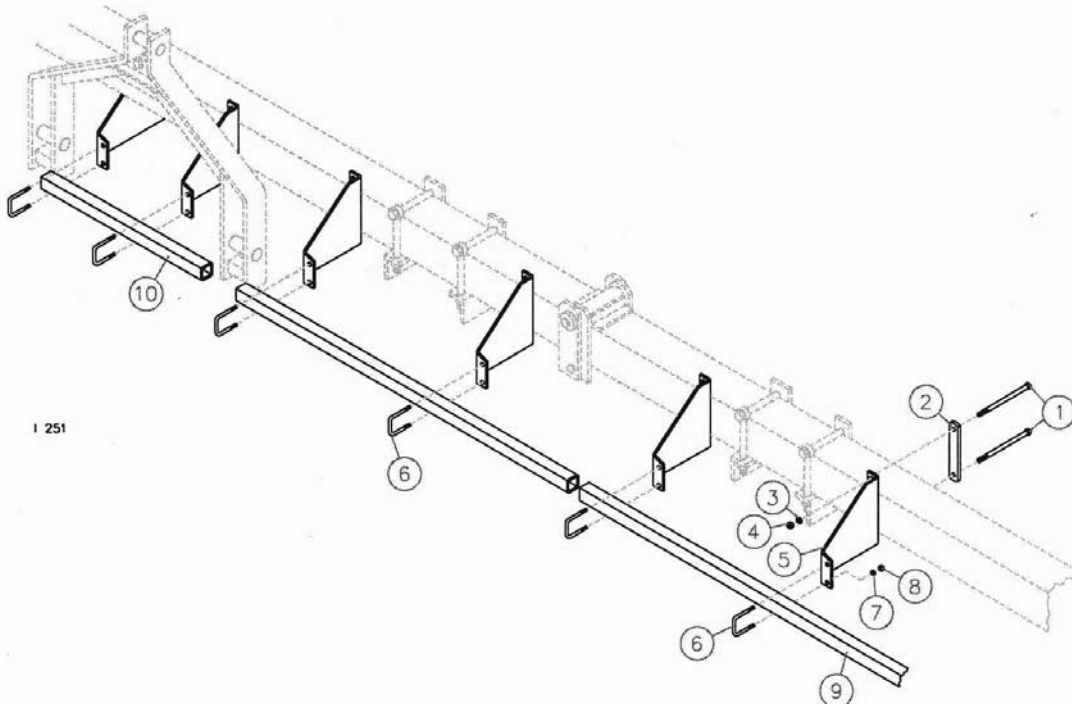
Wide Row (38" and 40" rows)

1. Category II or III N Quick Coupler is required on the tractor to allow bar installation.
2. No center bar is provided, or needed, for wide row application.
3. See item 3 above.

Raise planter slowly the first time and check for tire clearance. The coulter must be mounted away from tire location to clear. Do not transport planter with less than 1" clearance between 2-1/2" square bar and tractor tires.

NOTE: In some cases a hitch extension may be required for clearance between 2-1/2" bar and tractor tires.

**4, 6, 8 AND 12 ROW FRONT BAR KITS
FOR JD 7100/7300 3 PT. MOUNTED PLANTER**



2990-140 Front Bar Kit, 8 Row Wide

Key	Qty	Part No.	Description
1	16	2502-333	5/8-11 x 9" HHCS Gr. 5 ZP
2	8	2990-324	Front Bar Bracket Strap
3	16	2525-451	5/8 Med Lockwasher ZP
4	16	2520-452	5/8-11 Hex Nut ZP
5	8	2990-323	Front Bar Bracket
6	8	2570-568	1/2 x 2 1/2 x 3 1/2 U-Bolt ZP
7	16	2525-352	1/2 Med Lockwasher ZP
8	16	2520-352	1/2-13 Hex Nut ZP
9	4	2990-338	Extension Bar, 2 1/2 Sq. x 67"

2990-142 Front Bar Kit, 4 Row

Key	Qty	Part No.	Description
1	8	2502-333	5/8-11 x 9" HHCS GR. 5 ZP
2	4	2990-324	Front Bar Bracket Strap
3	8	2525-451	5/8 Med Lockwasher ZP
4	8	2520-452	5/8-11 Hex Nut ZP
5	4	2990-323	Front Bar Bracket
6	4	2570-568	1/2 x 2 1/2 x 3 1/2 U-Bolt ZP
7	8	2525-352	1/2 Med Lockwasher ZP
8	8	2520-352	1/2-13 Hex Nut ZP
9	2	2990-338	Extension Bar, 2 1/2 SQ. x 67"

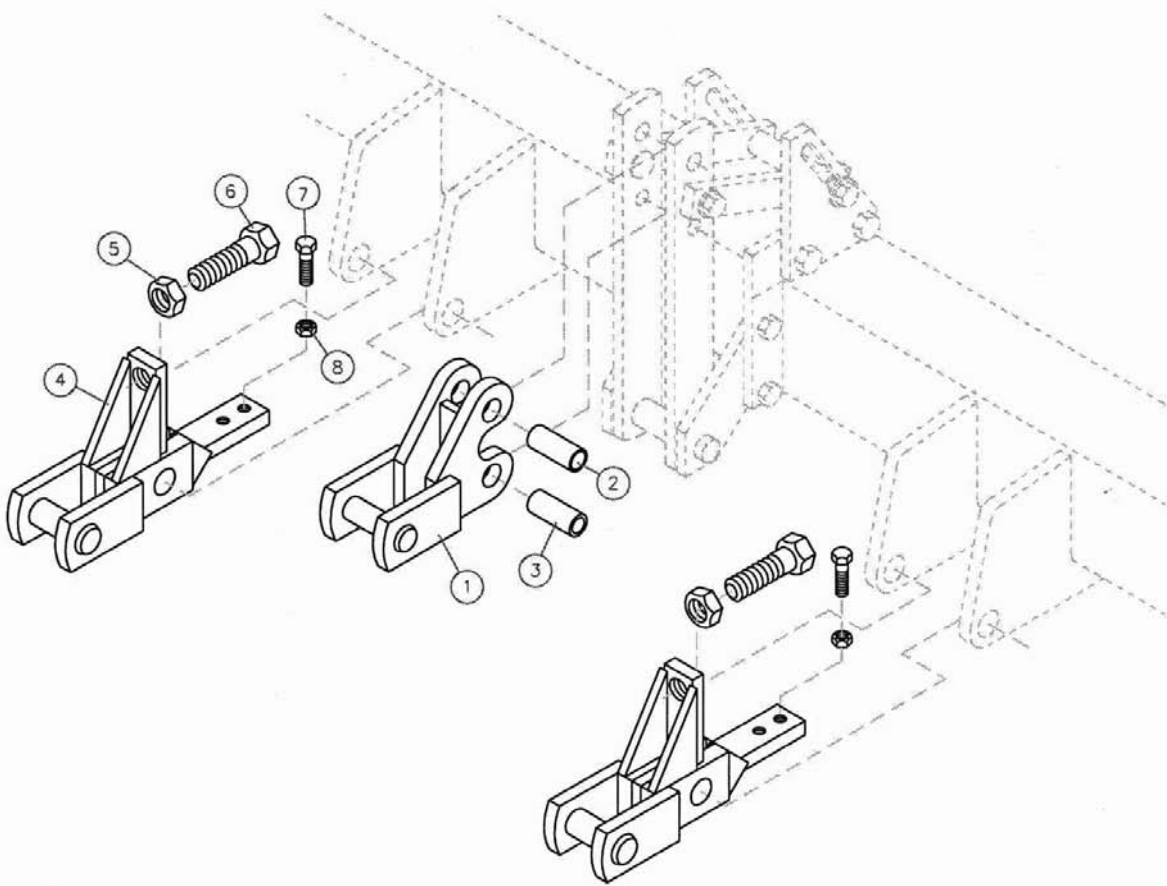
2990-141 Front Bar Kit, 12 Row Narrow

Key	Qty	Part No.	Description
1	20	2502-333	5/8-11 x 9" HHCS Gr. 5 ZP
2	10	2990-324	Front Bar Bracket Strap
3	20	2525-451	5/8 Med Lockwasher ZP
4	20	2520-452	5/8-11 Hex Nut ZP
5	10	2990-323	Front Bar Bracket
6	10	2570-568	1/2 x 2 1/2 x 3 1/2 U-Bolt ZP
7	20	2525-352	1/2 Med Lockwasher ZP
8	20	2520-352	1/2-13 Hex Nut ZP
9	4	2990-338	Extension Bar, 2 1/2 SQ. x 67"
10	1	2990-325	Front Bar, 35 5/8"

2990-143 Front Bar Kit, 6 Row

Key	Qty	Part No.	Description
1	12	2502-333	5/8-11 x 9" HHCS Gr. 5 ZP
2	6	2990-324	Front Bar Bracket Strap
3	12	2525-451	5/8 Med Lockwasher ZP
4	12	2520-452	5/8-11 Hex Nut ZP
5	6	2990-323	Front Bar Bracket
6	6	2570-568	1/2 x 2 1/2 x 3 1/2 U-Bolt ZP
7	12	2525-352	1/2 Med Lockwasher ZP
8	12	2520-352	1/2-13 Hex Nut ZP
9	2	2990-338	Extension Bar, 2 1/2 SQ. x 67"
10	1	2990-325	Front Bar, 35 5/8"

2975-132 HITCH OFFSET KIT, 7", JD 7100

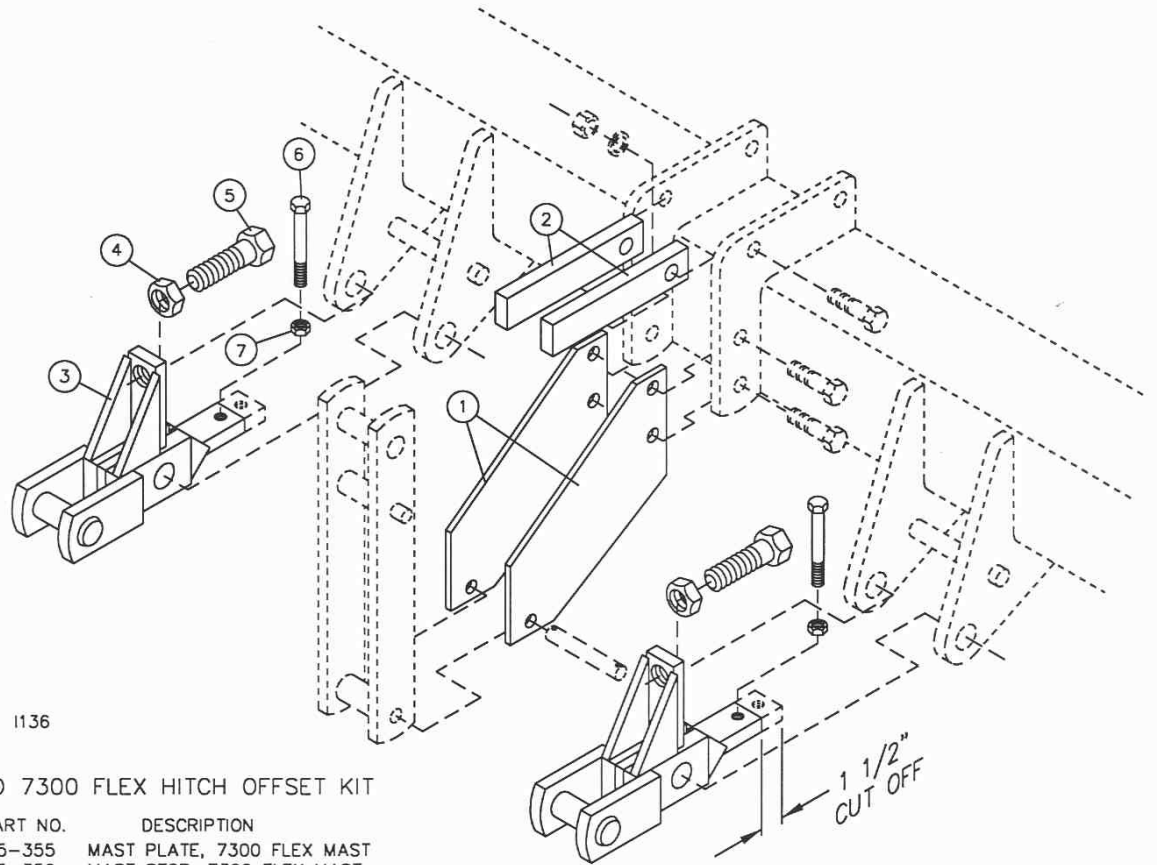


S28

2975-132 HITCH OFFSET KIT, JD 7100

Key	Qty	Part No.	Description
1	1	2975-203	UPPER HITCH OFFSET W.A.
2	1	2975-351	1 1/4" OD X 7/8" ID SLEEVE ZP
3	1	2975-352	1 1/4" OD X 1" ID SLEEVE ZP
4	2	2975-205	LOWER HITCH OFFSET W.A.
5	2	2520-573	1 1/4-7 JAM HEX NUT ZP
6	2	2502-790	1 1/4-7 X 4 HHCS GR 5 ZP
7	2	2502-331	5/8-11 X 1 3/4 HHCS GR 5 ZP
8	2	2520-453	5/8-11 JAM HEX NUT ZP

2975-137 JD 7300 FLEX HITCH OFFSET KIT

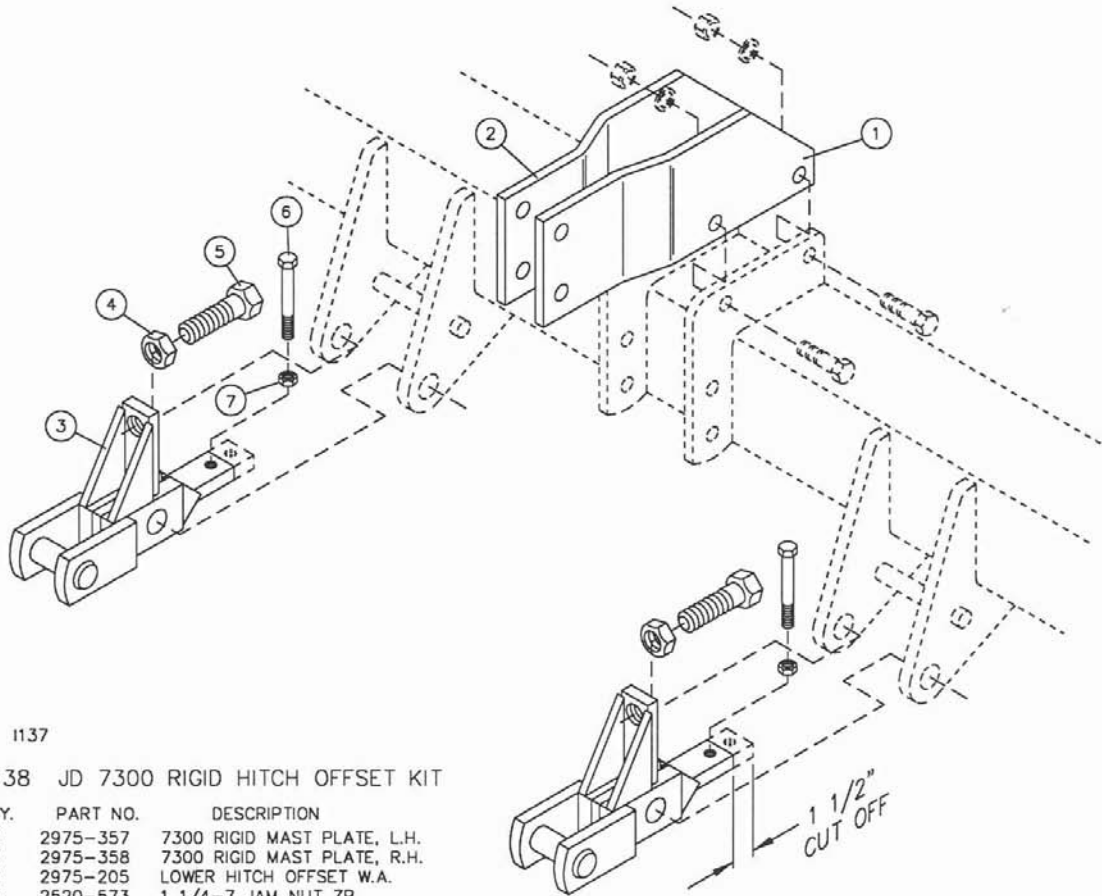


1136

2975-137 JD 7300 FLEX HITCH OFFSET KIT

KEY	QTY.	PART NO.	DESCRIPTION
1	2	2975-355	MAST PLATE, 7300 FLEX MAST
2	2	2975-356	MAST STOP, 7300 FLEX MAST
3	2	2975-205	LOWER HITCH OFFSET W.A.
4	2	2520-573	1 1/4-7 JAM NUT ZP.
5	2	2502-790	1 1/4-7 X 4" HHCS GR.5 ZP.
6	2	2502-327	5/8-11 X 5" HHCS GR.5 ZP.
7	2	2520-453	5/8-11 JAM NUT ZP.

2975-138 JD 7300 RIGID HITCH OFFSET KIT



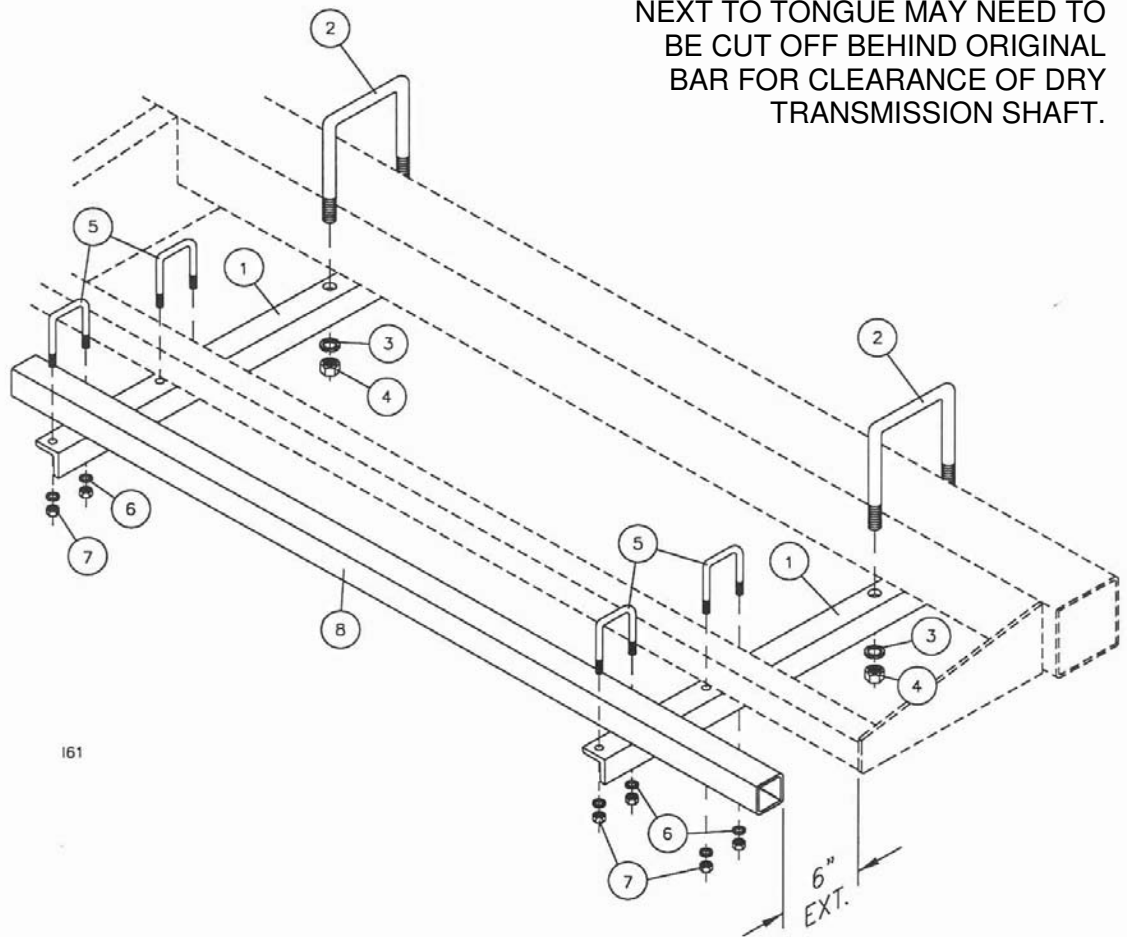
1137

2975-138 JD 7300 RIGID HITCH OFFSET KIT

KEY	QTY.	PART NO.	DESCRIPTION
1	2	2975-357	7300 RIGID MAST PLATE, L.H.
2	2	2975-358	7300 RIGID MAST PLATE, R.H.
3	2	2975-205	LOWER HITCH OFFSET W.A.
4	2	2520-573	1 1/4-7 JAM NUT ZP.
5	2	2502-790	1 1/4-7 X 4" HHCS GR.5 ZP.
6	2	2502-327	5/8-11 X 5" HHCS GR.5 ZP.
7	2	2520-453	5/8-11 JAM NUT ZP.

3 X 3 EXTENSIONS KITS FOR JD 7200 DRAWN PLANTER

3 X 3 REINFORCING BRACKET
NEXT TO TONGUE MAY NEED TO
BE CUT OFF BEHIND ORIGINAL
BAR FOR CLEARANCE OF DRY
TRANSMISSION SHAFT.



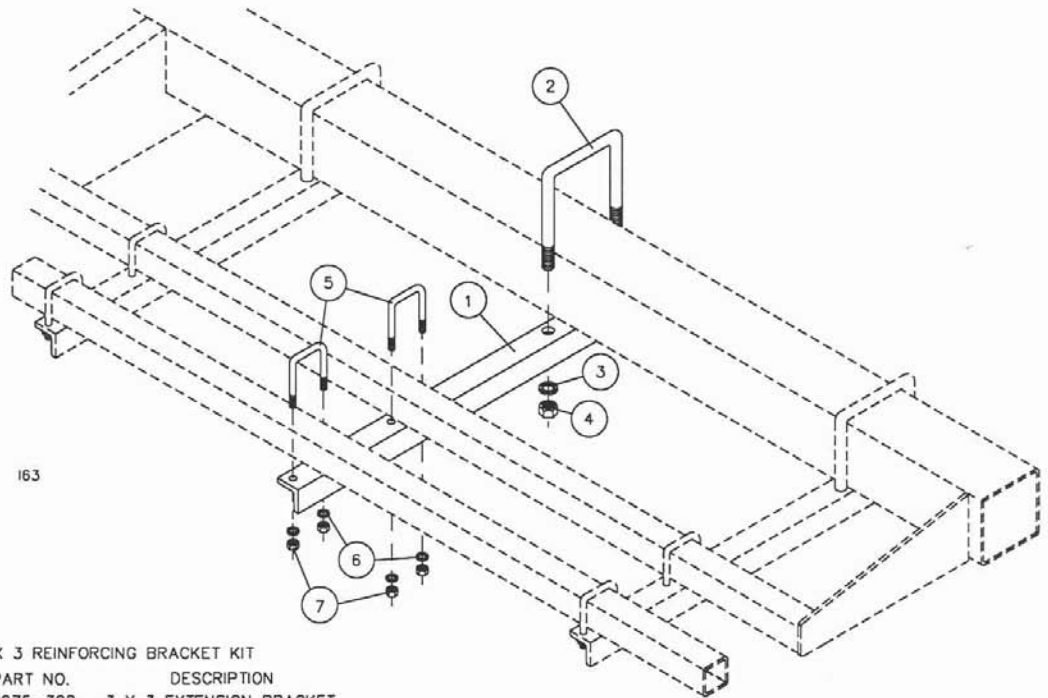
2975-130 4N/W & 6N 3 x 3 Extension Kit

Key	Qty	Part No.	Description
1	4	2975-308	3 x 3 Extension Bracket
2	4	2570-478	3/4 x 7 x 9 U-Bolt ZP.
3	8	2525-501	3/4 Med. Lockwasher ZP.
4	8	2520-504	3/4-10 Hex Nut ZP.
5	8	2570-602	5/8 x 3 x 4 1/2 U-Bolt ZP.
6	16	2525-451	5/8 Med. Lockwasher ZP.
7	16	2520-452	5/8-11 Hex Nut ZP.
8	2	2975-307	72" 3 x 3 Front Bar

2975-131 6W & 8N 3 x 3 Extension Kit

Key	Qty	Part No.	Description
1	6	2975-308	3 x 3 Extension Bracket
2	6	2570-478	3/4 x 7 x 9 U-Bolt ZP.
3	12	2525-501	3/4 Med. Lockwasher ZP.
4	12	2520-504	3/4-11 Hex Nut ZP.
5	12	2570-602	5/8 x 3 x 4 1/2 U-Bolt ZP.
6	24	2525-451	5/8 Med. Lockwasher ZP.
7	24	2520-452	5/8-11 Hex Nut ZP.
8	2	2975-315	96" 3 x 3 Front Bar

**2975-129 3 X 3 REINFORCING BRACKET KIT
FOR JD 7200 DRAWN PLANTER**

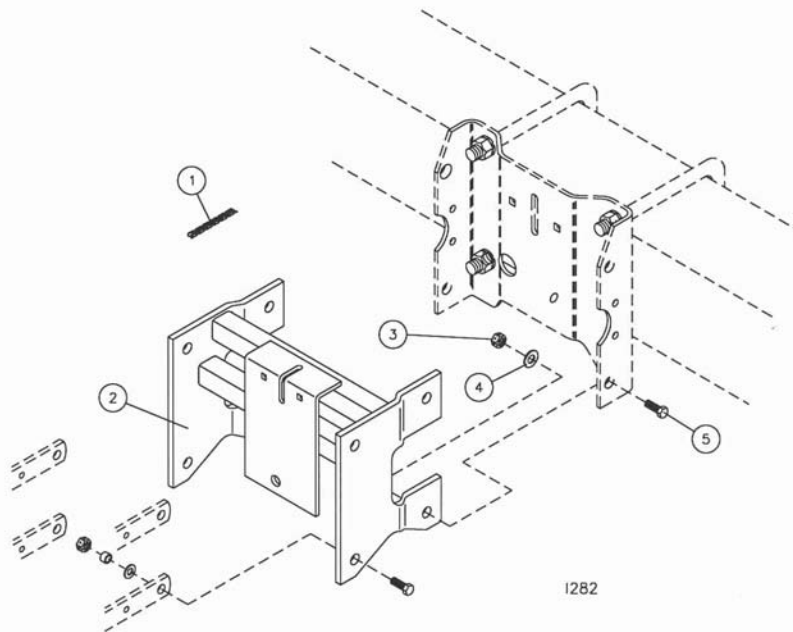


163

2975-129 3 X 3 REINFORCING BRACKET KIT

DET	QTY	PART NO.	DESCRIPTION
1	2	2975-308	3 X 3 EXTENSION BRACKET
2	2	6001-426	3/4 X 7 X 9 U-BOLT BLACK
3	4	2525-501	3/4 MED. LOCKWASHER ZP.
4	4	2520-504	3/4-11 HEX NUT ZP.
5	4	2570-602	5/8 X 3 X 4 1/2 U-BOLT ZP.
6	8	2525-451	5/8 MED. LOCKWASHER ZP.
7	8	2520-452	5/8-11 HEX NUT ZP.

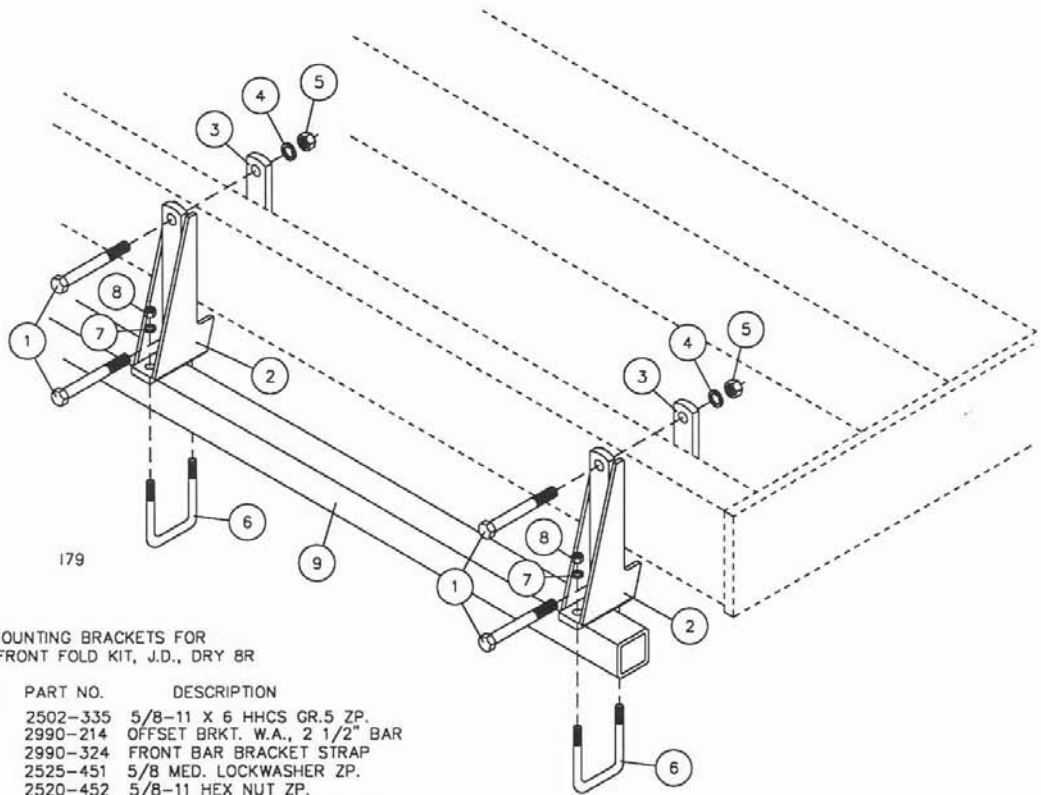
2975-189 6" SETBACK KIT, 7200 ONLY



1282

KEY	QTY.	PART NO.	DESCRIPTION
1	1	2570-233	CHAIN, #41, 23 PITCHES & CONNECTOR
2	1	2975-271	SETBACK W.A., 7200
3	4	2520-459	5/8-11 LOCK HEX NUT ZYD
4	4	2526-451	5/8 STD. FLAT WASHER ZYD
5	4	2502-331	5/8-11 X 1 3/4" HHCS GR 5 ZYD

**2990-167 FRONT FOLD KIT, JD, DRY 12R
2990-177 FRONT FOLD KIT, JD, DRY 8R**



BAR AND MOUNTING BRACKETS FOR
2990-177 FRONT FOLD KIT, J.D., DRY 8R

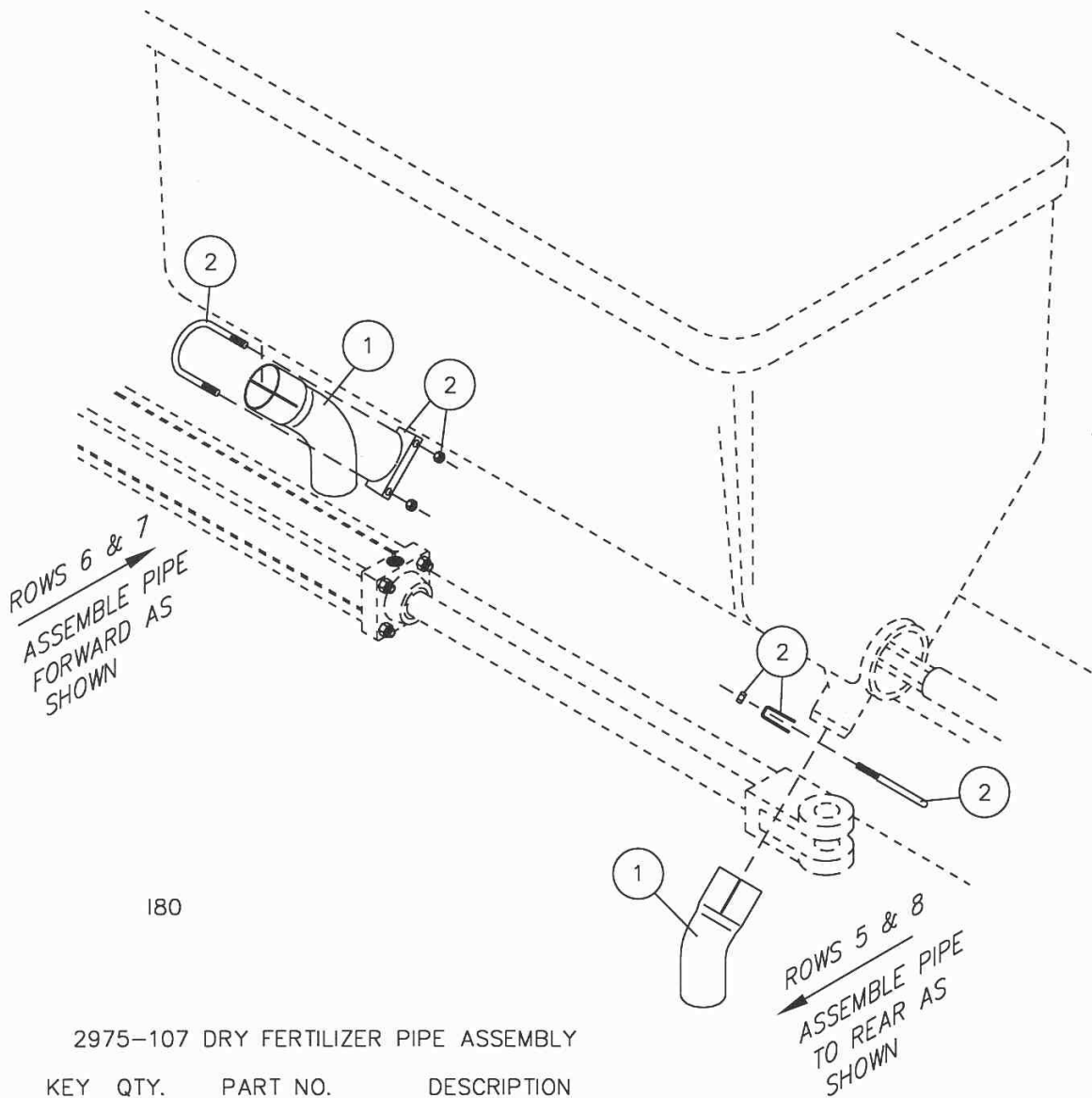
KEY	QTY.	PART NO.	DESCRIPTION
1	8	2502-335	5/8-11 X 6 HHCS GR.5 ZP.
2	4	2990-214	OFFSET BRKT. W.A., 2 1/2" BAR
3	4	2990-324	FRONT BAR BRACKET STRAP
4	8	2525-451	5/8 MED. LOCKWASHER ZP.
5	8	2520-452	5/8-11 HEX NUT ZP.
6	4	2570-568	1/2 X 2 1/2 X 3 1/2 U-BOLT ZP.
7	8	2525-352	1/2 MED. LOCKWASHER ZP.
8	8	2520-352	1/2-13 HEX NUT ZP.
9	2	2990-338	EXTN BAR 2 1/2 SQ X 67"
	4	2975-107	DRY FERTILIZER PIPE ASS'Y

BAR AND MOUNTING BRACKETS FOR
2990-167 FRONT FOLD KIT, J.D., DRY 12R

KEY	QTY.	PART NO.	DESCRIPTION
1	12	2502-335	5/8-11 X 6 HHCS GR.5 ZP.
2	6	2990-214	OFFSET BRKT. W.A., 2 1/2" BAR
3	6	2990-324	FRONT BAR BRACKET STRAP
4	12	2525-451	5/8 MED. LOCKWASHER ZP.
5	12	2520-452	5/8-11 HEX NUT ZP.
6	6	2570-568	1/2 X 2 1/2 X 3 1/2 U-BOLT ZP.
7	12	2525-352	1/2 MED. LOCKWASHER ZP.
8	12	2520-352	1/2-13 HEX NUT ZP.
9	2	2990-359	COULTER BAR, 2 1/2" X 76"
	4	2975-107	DRY FERTILIZER PIPE ASS'Y

NOTE: Both kits also include (4) 2975-107, Dry Fertilizer Pipe Ass'y Shown on Page 24.

2975-107 DRY FERTILIZER PIPE ASSEMBLY



180

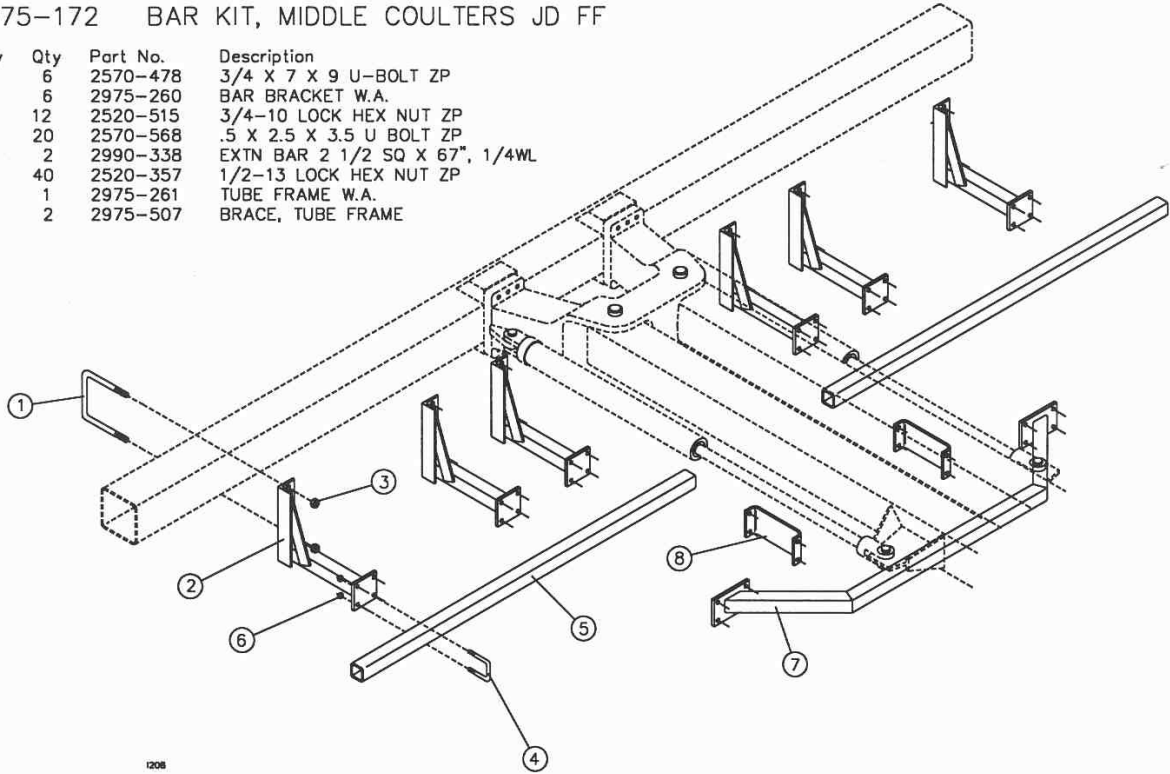
2975-107 DRY FERTILIZER PIPE ASSEMBLY

KEY	QTY.	PART NO.	DESCRIPTION
1	1	2570-623	DRY FERTILIZER PIPE
2	1	2570-624	PIPE CLAMP, 2 1/2", ZP.

2975-172 BAR KIT, MIDDLE COULTERS JD FF

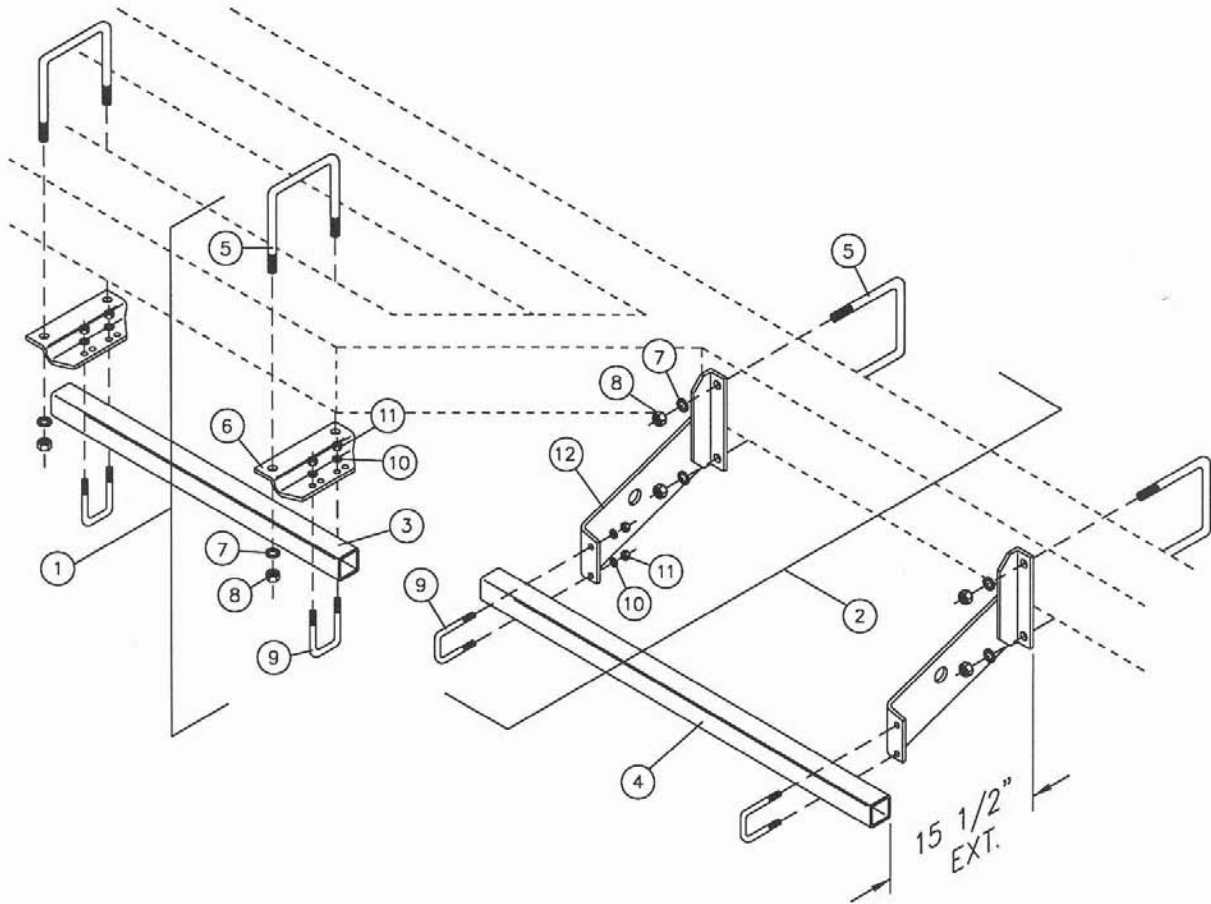
2975-172 BAR KIT, MIDDLE COULTERS JD FF

Key	Qty	Part No.	Description
1	6	2570-478	3/4 X 7 X 9 U-BOLT ZP
2	6	2975-260	BAR BRACKET W.A.
3	12	2520-515	3/4-10 LOCK HEX NUT ZP
4	20	2570-568	.5 X 2.5 X 3.5 U BOLT ZP
5	2	2990-338	EXTN BAR 2 1/2 SQ X 67", 1/4WL
6	40	2520-357	1/2-13 LOCK HEX NUT ZP
7	1	2975-261	TUBE FRAME W.A.
8	2	2975-507	BRACE, TUBE FRAME



#7 TUBE FRAME W.A. WILL NEED TO BE CUT IN HALF ON FLEX FOLD PLANTERS.

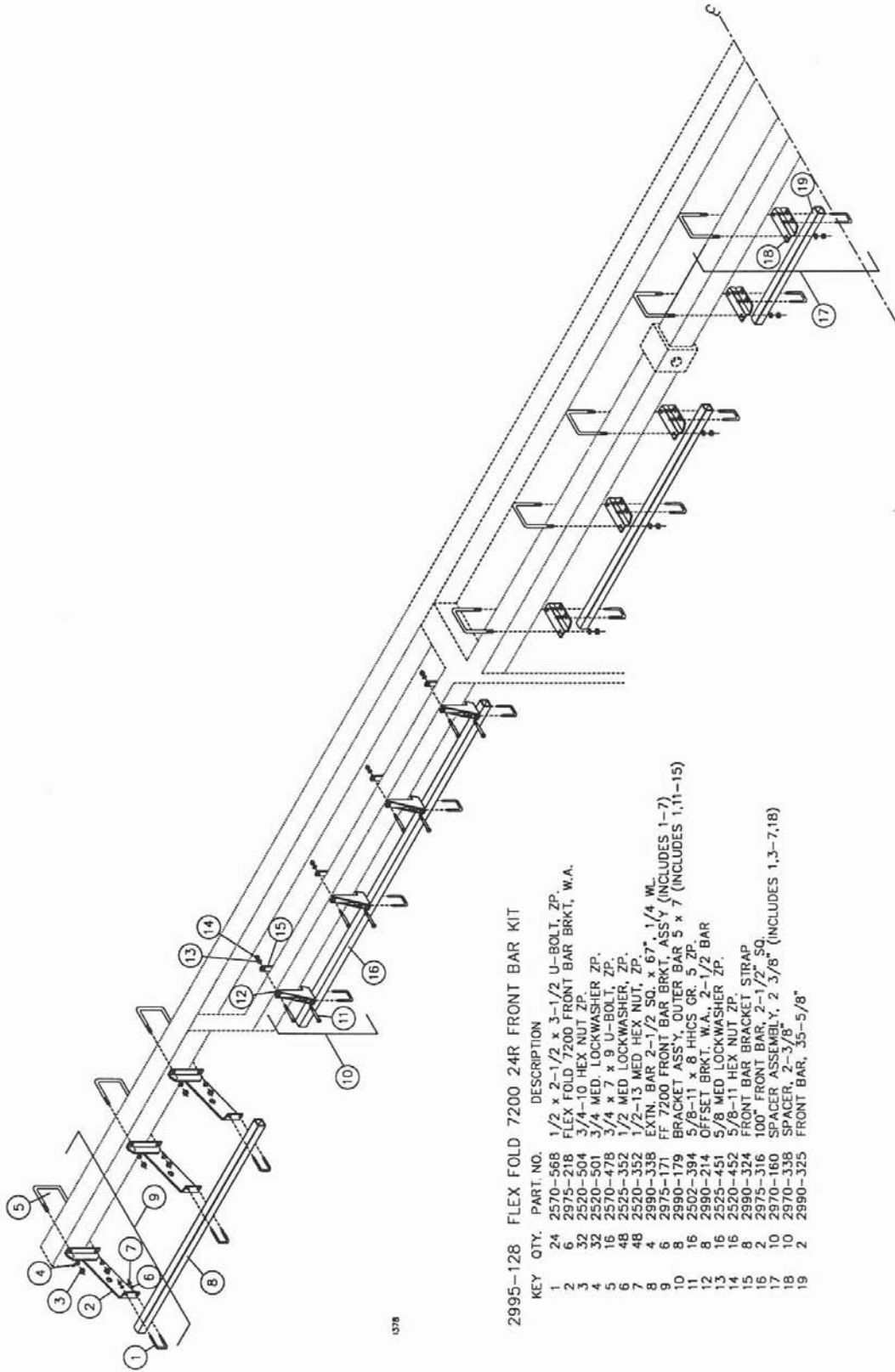
2975-128 FLEX FOLD 7200 16R FRONT BAR KIT



S27

Key	Qty	Part #	Description
1	8	2970-160	Spacer Assembly, 2-3/8"
2	8	2975-171	Flex Fold 7200 Front Bar Brkt. Ass'y
3	4	2990-325	Front Bar, 35-5/8"
4	4	2990-338	Extension Bar, 2-1/2 SQ. x 67", 1/4" Wall
5	16	2570-478	3/4 x 7 x 9 U-bolt ZP.
6	8	2970-338	Spacer, 2-3/8"
7	32	2525-501	3/4 Med. Lockwasher ZP.
8	32	2520-504	3/4-10 Hex Nut ZP.
9	16	2570-568	1/2 x 2-1/2 x 3-1/2 U-bolt ZP.
10	32	2525-352	1/2 Med. Lockwasher ZP.
11	32	2520-352	1/2-13 Hex Nut ZP.
12	8	2975-218	Flex Fold 7200 Front Bar Bracket W.A.

2995-128 FLEX FOLD 7200 24R FRONT BAR KIT

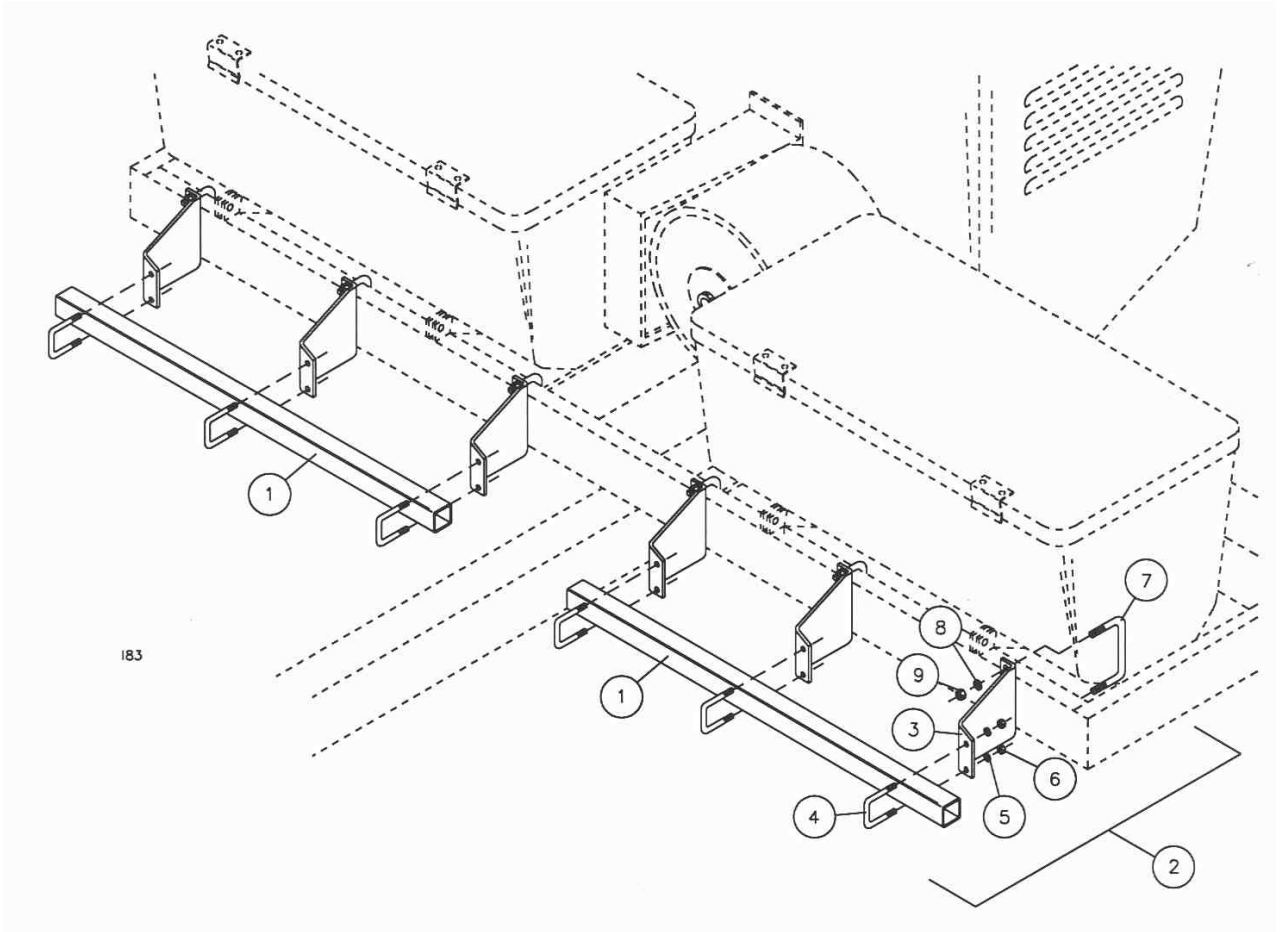


2995-128 FLEX FOLD 7200 24R FRONT BAR KIT

KEY	QTY.	PART NO.	DESCRIPTION
1	24	2570-568	1/2 x 2-1/2 x 3-1/2 U-BOLT, ZP.
2	6	2575-218	FLEX FOLD 7200 FRONT BAR BRKT, W.A.
3	32	2520-504	3/4-10 HEX NUT ZP.
4	32	2520-501	3/4 MED. LOCKWASHER ZP.
5	16	2570-478	3/4 x 7 x 9 U-BOLT, ZP.
6	48	2525-352	1/2 MED. LOCKWASHER, ZP.
7	48	2520-352	1/2-13 MED. HEX NUT, ZP.
8	4	2560-335	EXTN. BAR 2-1/2 SQ. x 67" 1/4 WL.
9	6	2575-171	FF 7200 FRONT BAR BRKT ASSY (INCLUDES 1-7)
10	8	2560-179	BRACKET ASSY, OUTER BAR 5 x 7 (INCLUDES 1,11-15)
11	16	2562-394	5/8-11 x 8 HICS CB 5 ZP.
12	8	2562-214	OFFSET BRKT W.A. 2-1/2 BAR
13	16	2525-451	5/8 MED. LOCKWASHER ZP.
14	16	2560-452	5/8-11 HEX NUT ZP.
15	2	2575-374	FRONT BAR BRACKET STRAP
16	2	2570-160	100" FRONT BAR, 2-1/2" SQ.
17	10	2570-358	SPACER ASSEMBLY, 2 3/8" (INCLUDES 1,3-7,18)
18	10	2570-358	SPACER, 2-3/8"
19	2	2590-325	FRONT BAR, 55-5/8"

078

EXTENSION BAR KITS FOR CASE/IH 800-900 PLANTERS



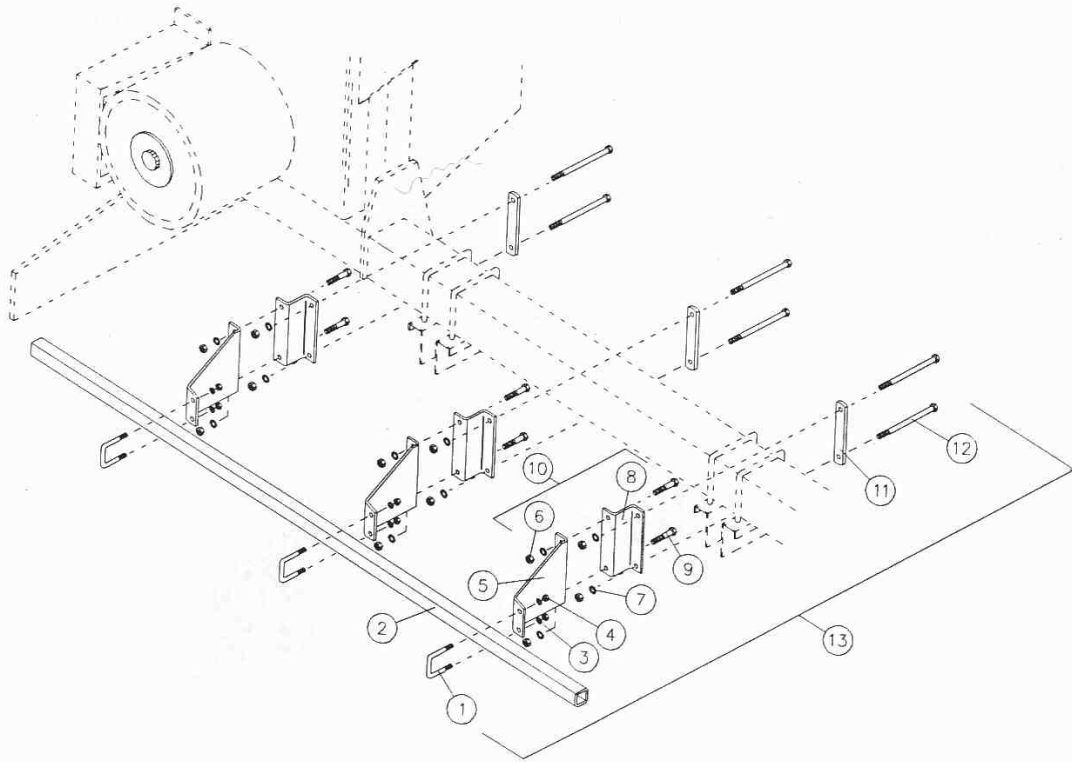
2970-044 4R-W Extension Bar Kit, 2 x 6 Bar

Key	Qty	Part No.	Description
1	2	2990-338	Extension Bar 2 1/2 SQ. x 67", 1/4 WL
2	4	2970-161	Extension Bracket Assembly, 2 x 6 Bar (includes no's 3 thru 9)
3	4	2970-361	Extension Bracket, 2 x 6 Bar
4	4	2570-568	1/2 x 2 1/2 x 3 1/2 U-Bolt, ZP.
5	8	2525-352	1/2 Medium Lockwasher ZP.
6	8	2520-352	1/2-13 Hex Nut ZP.
7	4	2570-130	5/8 x 6 x 3 1/2 U-Bolt, ZP.
8	8	2525-451	5/8 Medium Lockwasher ZP.
9	8	2520-452	5/8-11 Hex Nut ZP.

2970-063 6R-N Extension Bar Kit, 2 x 6 Bar (Shown)

Key	Qty	Part No.	Description
1	2	2990-338	Extension Bar 2 1/2 SQ. x 67", 1/4 WL
2	6	2970-161	Extension Bracket Assembly, 2 x 6 Bar (includes no's. 3 thru 9)
3	6	2970-361	Extension Bracket, 2 x 6 Bar
4	6	2570-568	1/2 x 2-1/2 x 3-1/2 U-Bolt, ZP.
5	12	2525-352	1/2 Medium Lockwasher ZP.
6	12	2520-352	1/2-13 Hex Nut ZP.
7	6	2570-130	5/8 x 6 x 3-1/2 U-Bolt ZP.
8	12	2525-451	5/8 Medium Lockwasher ZP.
9	12	2520-452	5/8-11 Hex Nut ZP.

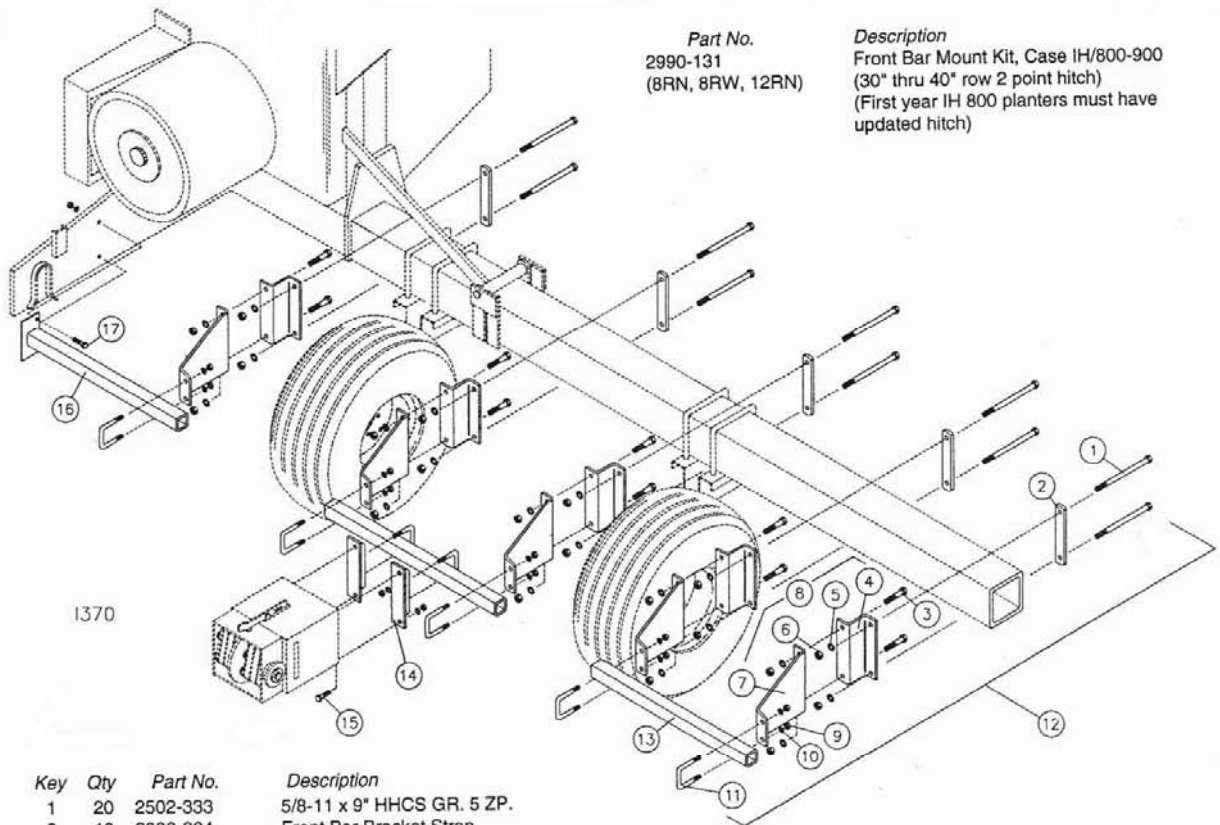
2970-179 FRONT BAR KIT, 4R/6R CYCLO



I 369

Key	Qty	Part No.	Description
1	6	2570-568	1/2 x 2 1/2 x 3 1/2 U-Bolt, ZP.
2	2	2990-338	Extn. Bar 2 1/2 SQ x 67", 1/4 WL
3	12	2525-352	1/2 Med. Lockwasher ZP.
4	12	2520-352	1/2-13 Hex Nut ZP.
5	6	2990-323	Front Bar Bracket
6	24	2520-452	5/8-11 Hex Nut, ZP.
7	24	2525-451	5/8 Med Lockwasher, ZP.
8	6	2990-336	Front Bar Extension, 6 3/8"
9	12	2502-319	5/8-11 x 1 1/2 HHCS GR. 5, ZP.
10	6	2990-144	Front Bar Ext. Assy. (includes 6-9)
11	6	2990-324	Front Bar Bracket Strap
12	12	2502-333	5/8-11 x 9 HHCS GR. 5, ZP.
13	6	2990-139	Front Bar Mount Brkt. Assy. (includes 1, 3-7, 11 & 12)

2990-131 FRONT BAR MOUNTING KIT CASE/IH 800-900 SEMI-MOUNTED



Key	Qty	Part No.	Description
1	20	2502-333	5/8-11 x 9" HHCS GR. 5 ZP.
2	10	2990-324	Front Bar Bracket Strap
3	20	2502-319	5/8-11 x 1-1/2" HHCS GR. 5 ZP.
4	10	2990-336	Front Bar Extension, 6-3/8"
5	40	2525-451	5/8 Med Lockwasher ZP.
6	40	2520-452	5/8-11 Hex Nut ZP.
7	10	2990-323	Front Bar Bracket
8	10	2990-144	Front Bar Ext. Assembly 6-3/8" (includes 3-6)
9	44	2520-352	1/2-13 Hex Nut, ZP.
10	44	2525-352	1/2 Med. Lockwasher ZP.
11	14	2570-568	1/2 x 2-1/2 x 3-1/2 U-Bolt ZP.
12	10	2990-139	Front Bar Mount Brkt. Assy. (Includes 1,2, 5-7, and 9-11)
13	2	2990-338	Extension Bar, 2-1/2 SQ. x 67"
14	4	2990-329	Squeeze Pump Extension Bracket
15	8	2502-292	1/2-13 x 1" HHCS GR. 5 ZP.
16	2	2990-209	Front Bar W.A., Case/IH 800-900
17	8	2502-296	1/2-13 x 2-1/2" HHCS GR. 5 ZP.

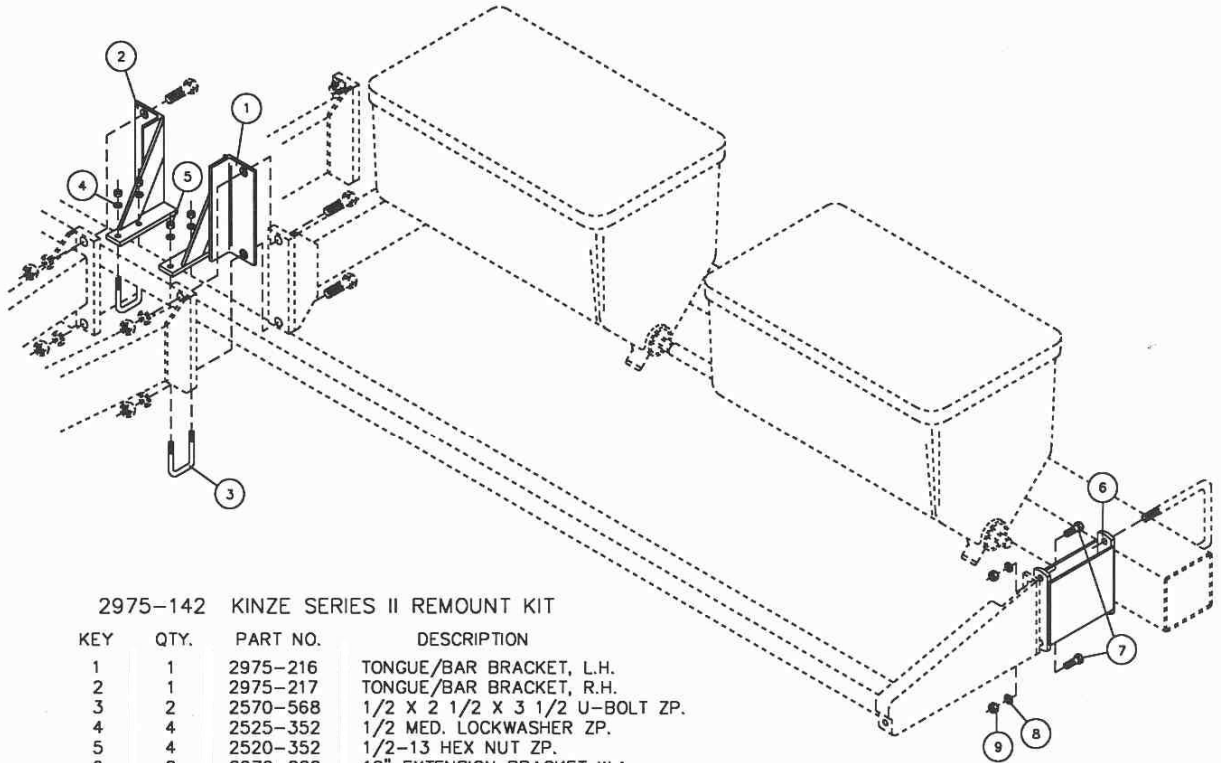
Case/IH 800-900 Front Bar Mounting Instructions

1. Assemble brackets and extensions to planter as shown in part identification drawing.
2. The 2-1/2 square tubes must be cut to fit each planter. 12 row 30" planters, for example, require approximately 3" to be cut off center tubes to provide tire clearance. The 67" tubes must be cut in 2 places 49" and 18" long.

Dimensions to cut for other planters depend on row spacing and wheel locations.

3. Squeeze pump mounting kits are provided for I.H. squeeze pump if used. See Parts Identification drawing.

2975-142 KINZE SERIES II REMOUNT KIT FOR DRY FERTILIZER FRAME

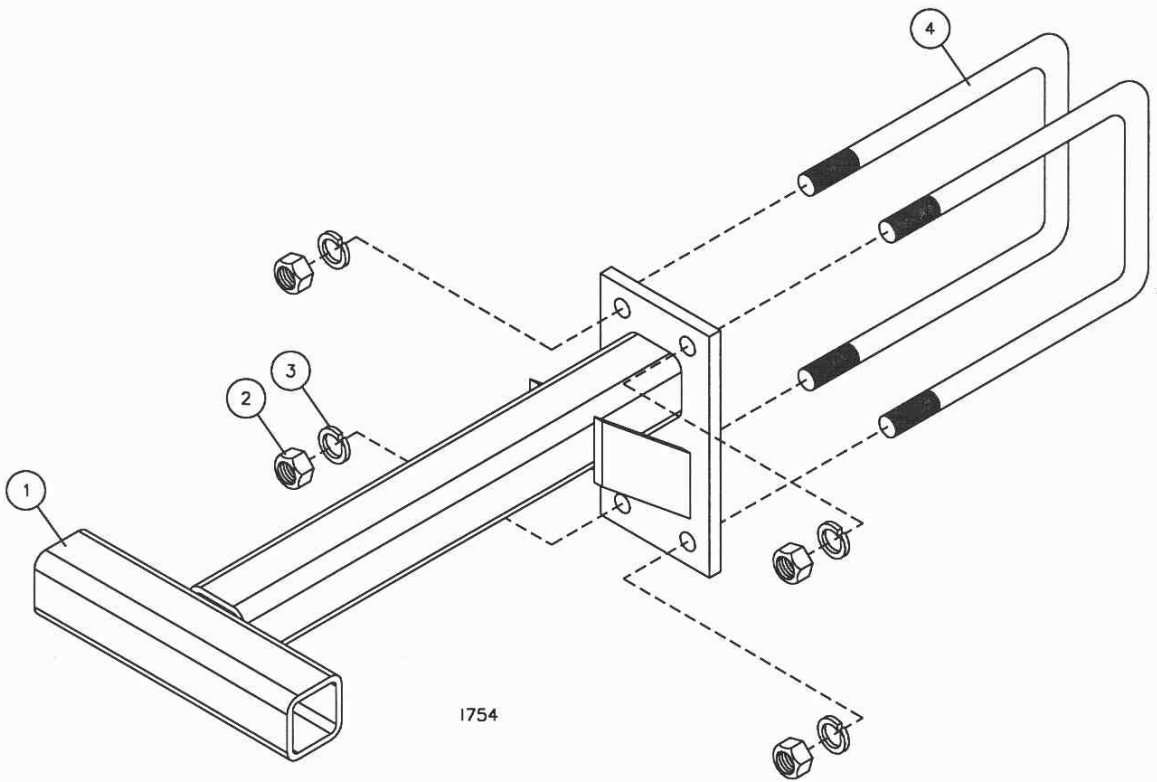


2975-142 KINZE SERIES II REMOUNT KIT

KEY	QTY.	PART NO.	DESCRIPTION
1	1	2975-216	TONGUE/BAR BRACKET, L.H.
2	1	2975-217	TONGUE/BAR BRACKET, R.H.
3	2	2570-568	1/2 X 2 1/2 X 3 1/2 U-BOLT ZP.
4	4	2525-352	1/2 MED. LOCKWASHER ZP.
5	4	2520-352	1/2-13 HEX NUT ZP.
6	2	2970-222	10" EXTENSION BRACKET W.A.
7	4	2502-331	5/8-11 X 1 3/4 HHCS GR.5 ZP.
8	4	2525-451	5/8 MED. LOCKWASHER ZP.
9	4	2520-452	5/8-11 HEX NUT ZP.

184

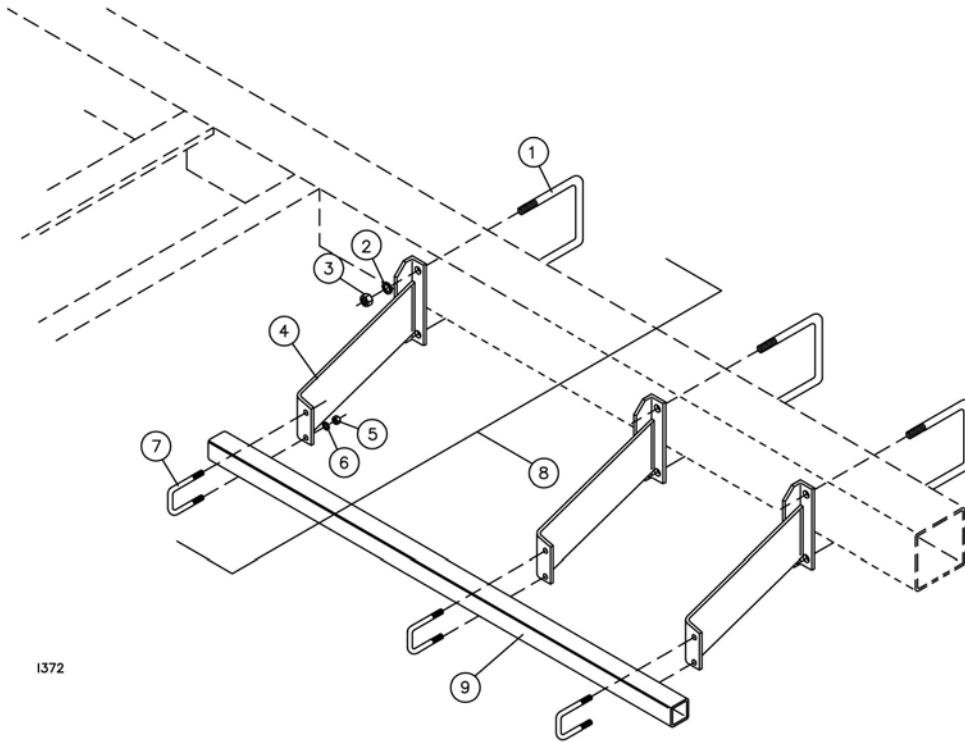
**2995-056 KINZE BAR KIT
 2995-136 KINZE BAR KIT
 COULTER MOUNTING BRACKET ASSEMBLY**



2995-056 KINZE BAR KIT

DET	QTY	PART NO.	DESCRIPTION
1	1	2995-215	MOUNTING BAR W.A.
2	4	2520-452	5/8-11 HEX NUT ZP
3	4	2525-451	5/8 MED LOCKWASHER ZP
4	2	2570-626	5/8 X 7 X 9 U-BOLT, ZYD
	2	2570-735	5/8 X 7 X 7 U-BOLT, ZYD

**2990-148 FRONT BAR, PULL TYPE, 4 AND 6 ROW
FRONT BAR KIT, 100" BAR**



1372

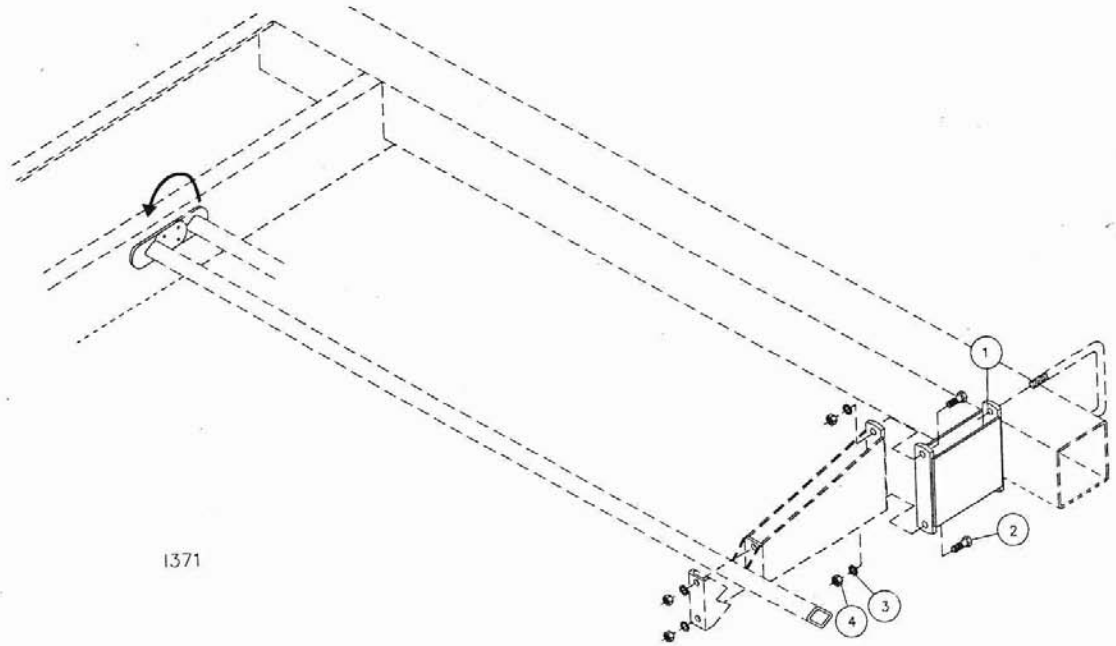
2990-148 FRONT BAR, PULL TYPE, 4 AND 6 ROW

KEY	QTY.	PART NO.	DESCRIPTION
1	1	2570-478	3/4 X 7 X 9 U-BOLT ZP.
2	2	2525-501	3/4 MEDIUM LOCKWASHER, ZP.
3	2	2520-504	3/4-10 HEX NUT ZP.
4	1	6005-214	FRONT BAR BRACKET W.A., BLACK
5	2	2520-352	1/2-13 HEX NUT ZP.
6	2	2525-352	1/2 MED. LOCKWASHER ZP.
7	1	2570-568	1/2 x 2-1/2 x 3-1/2 U-BOLT ZP.
8	6	6005-104	7 x 7 FRONT BAR BRACKET ASSEMBLY (INCLUDES NO.'S 1-7)
9	2	2970-340	EXTENSION BAR, 2-1/2 SQ. x 67"

FRONT BAR KIT, 100" BAR

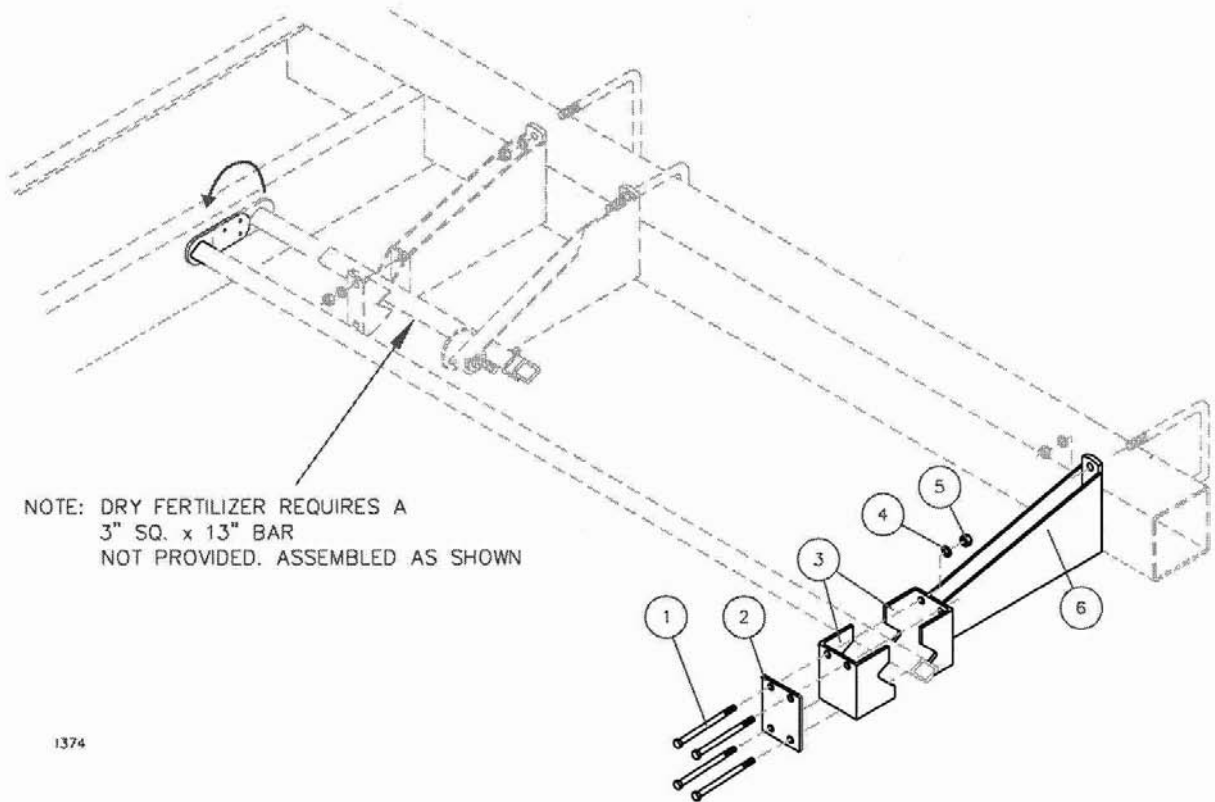
KEY	QTY.	PART NO.	DESCRIPTION
1	1	2570-478	3/4 X 7 X 9 U-BOLT ZP.
2	2	2525-501	3/4 MEDIUM LOCKWASHER, ZP.
3	2	2520-504	3/4-10 HEX NUT ZP.
4	1	6005-214	FRONT BAR BRACKET W.A., BLACK
5	2	2520-352	1/2-13 HEX NUT ZP.
6	2	2525-352	1/2 MED. LOCKWASHER ZP.
7	1	2570-568	1/2 x 2-1/2 x 3-1/2 U-BOLT ZP.
8	6	6005-104	7 x 7 FRONT BAR BRACKET ASSEMBLY (INCLUDES NO.'S 1-7)
9	2	2975-316	100" FRONT BAR, 2-1/2" SQ.

**2970-162 10" EXTENSION BRACKET FOR
WHITE 5100 SERIES LIQUID FERTILIZER**



Key	Qty	Part No.	Description
1	1	2970-222	10" Extension Bracket W.A.
2	2	2502-331	5/8-11 x 1-3/4" HHCS GR. 5 ZP.
3	2	2525-451	5/8 Medium Lockwasher GR. 5 ZP.
4	2	2520-452	5/8-11 Hex Head ZP.

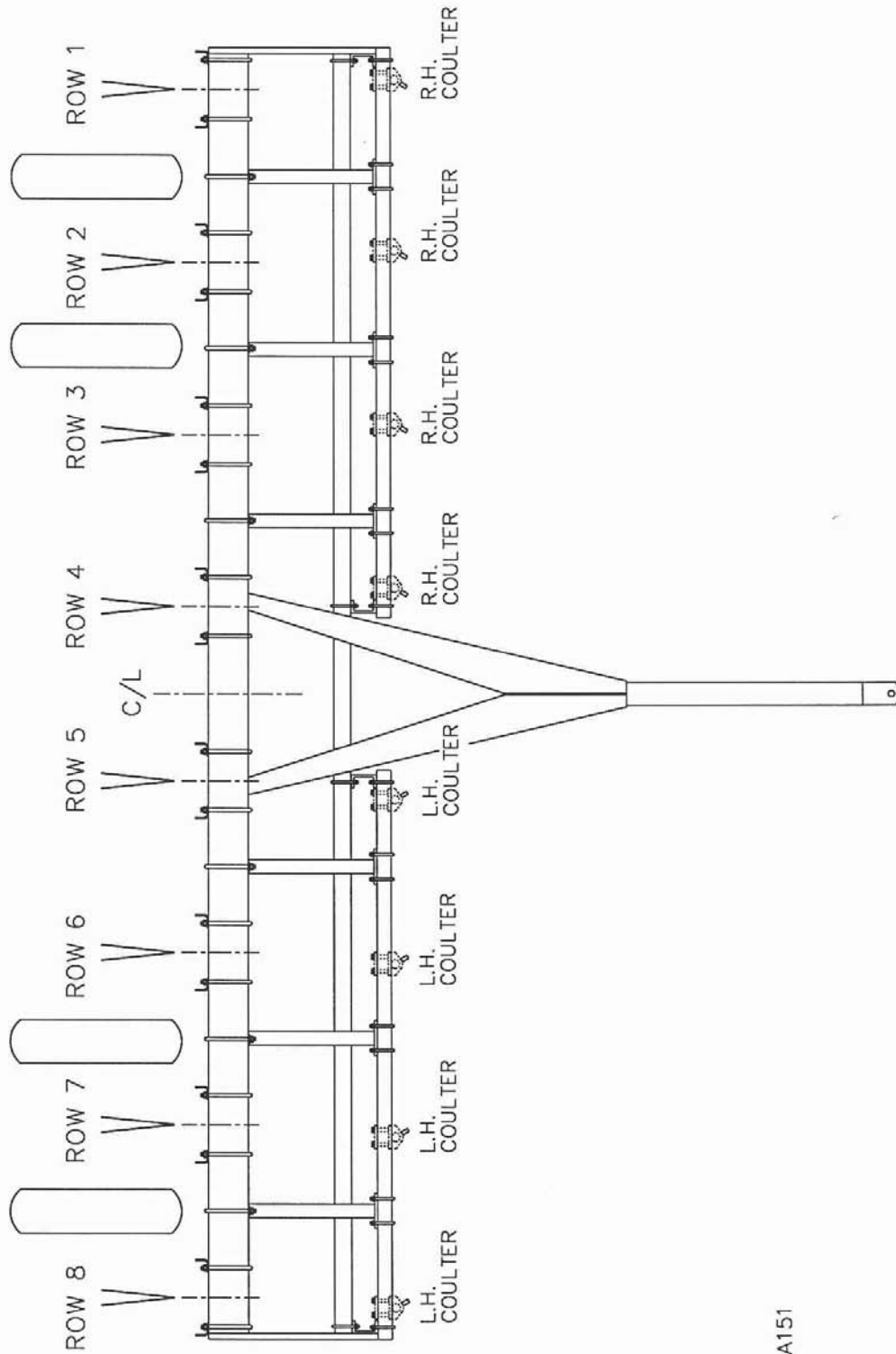
**2970-163 FRONT BAR MOUNT ASSEMBLY
FOR
WHITE 5100 SERIES DRY FERTILIZER**



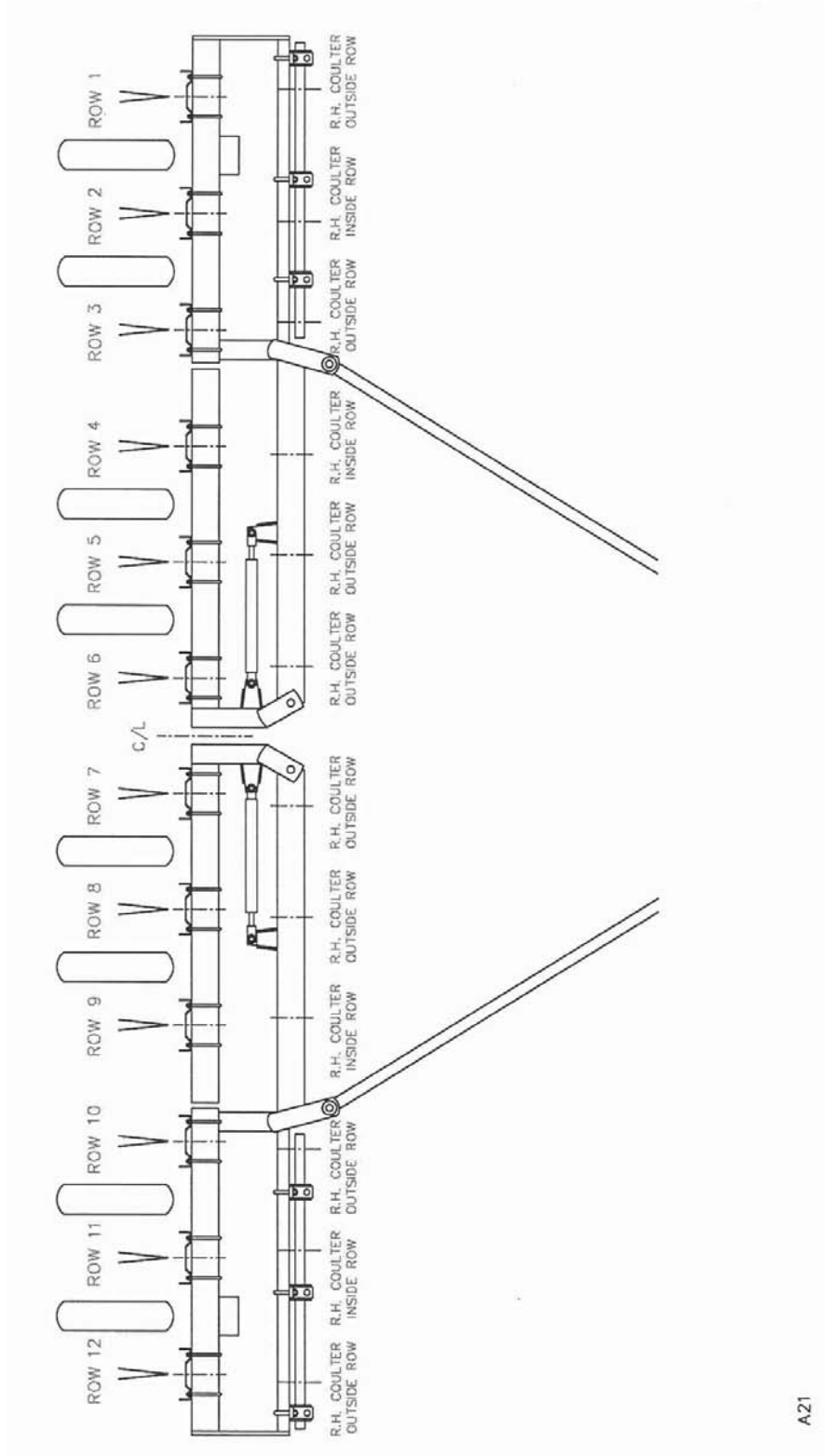
2970-163 FRONT BAR MOUNT ASSEMBLY
FOR
WHITE 5100 SERIES DRY FERTILIZER

KEY	QTY.	PART NO.	DESCRIPTION
1	4	2502-371	1/2-13 x 7" HHCS GR. 5 ZP.
2	1	2990-314	CLAMP PLATE, 4" SQ., 3" DIAMOND
3	2	2970-326	ADAPTER, 3" SQ. DIAMOND BAR
4	4	2525-352	1/2 MEDIUM LOCKWASHER ZP.
5	4	2520-352	1/2-13 HEX NUT ZP.
6	1	2970-225	FRONT BAR MOUNT ARM, 3 x 3 DIAMOND

**ARRANGEMENT OF COULTERS AND BRACKETS
FOR
2970-136 FRONT BAR 6R & 8R
FOR JOHN DEERE 7000 DRAWN PLANTER**

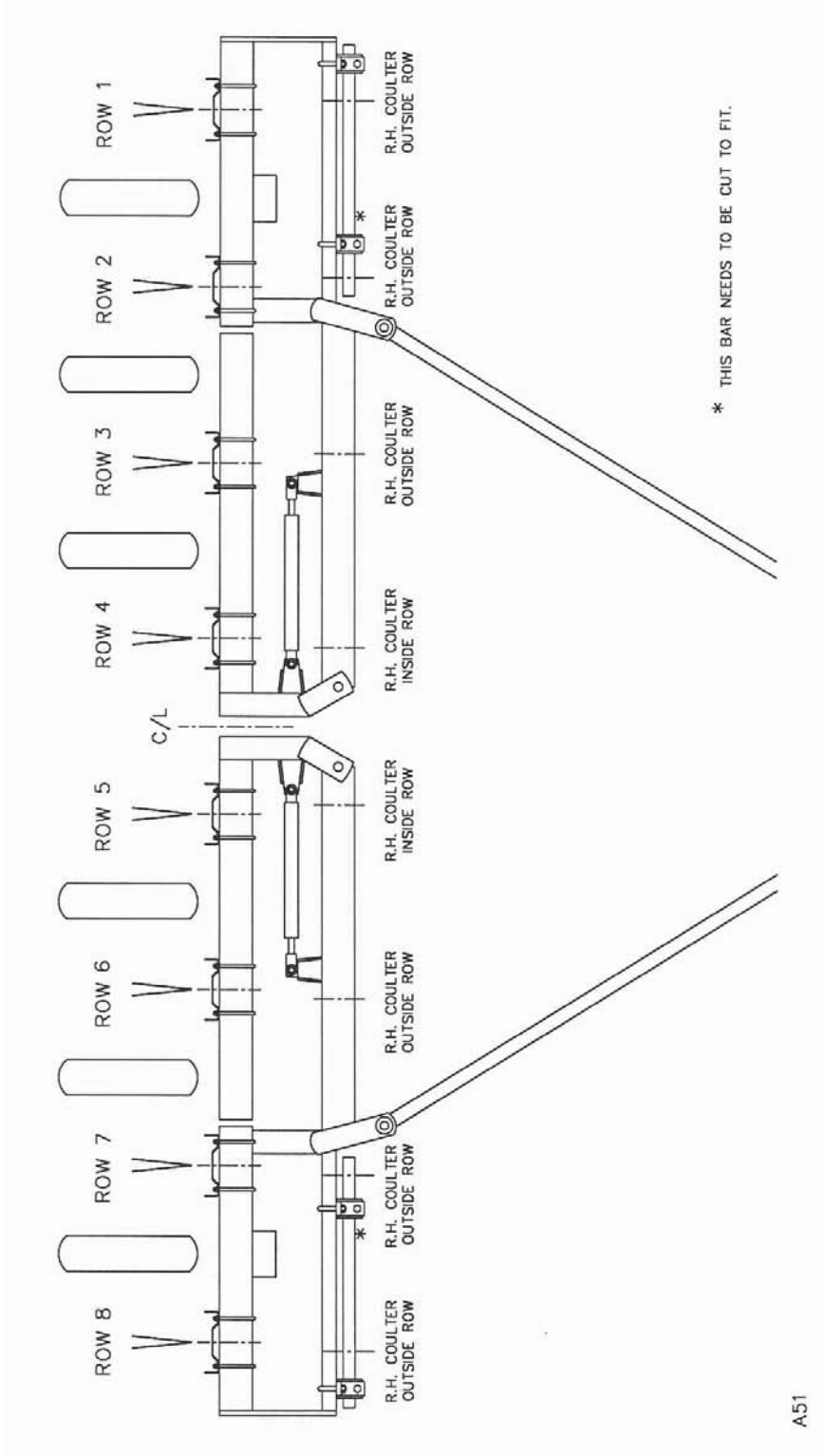


**ARRANGEMENT OF COULTERS AND BRACKETS
FOR
2990-167 FRONT FOLD KIT, JD, 12R, DRY FERTILIZER
ON JOHN DEERE 7200 12R-N FLEX FOLD PLANTERS**

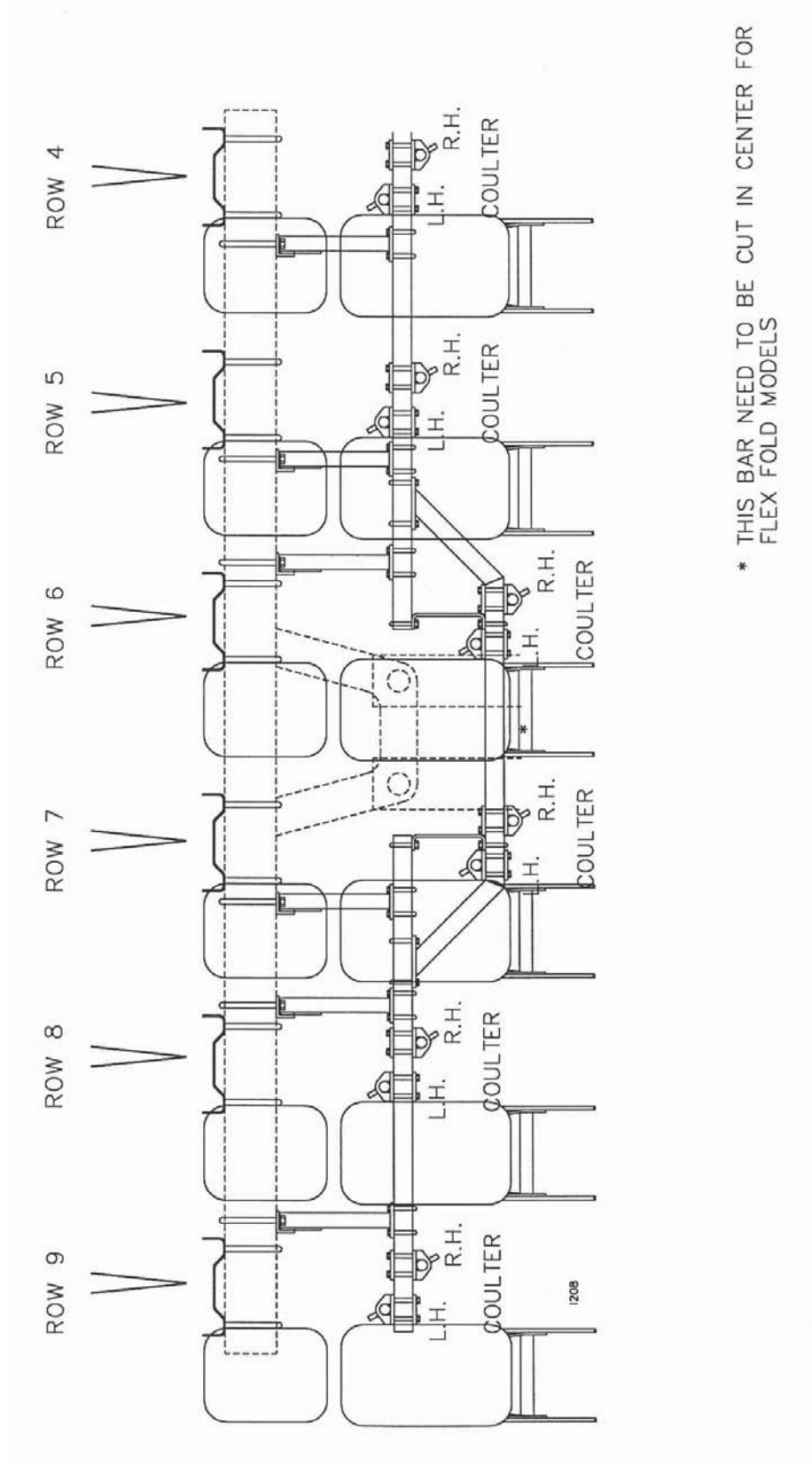


A21

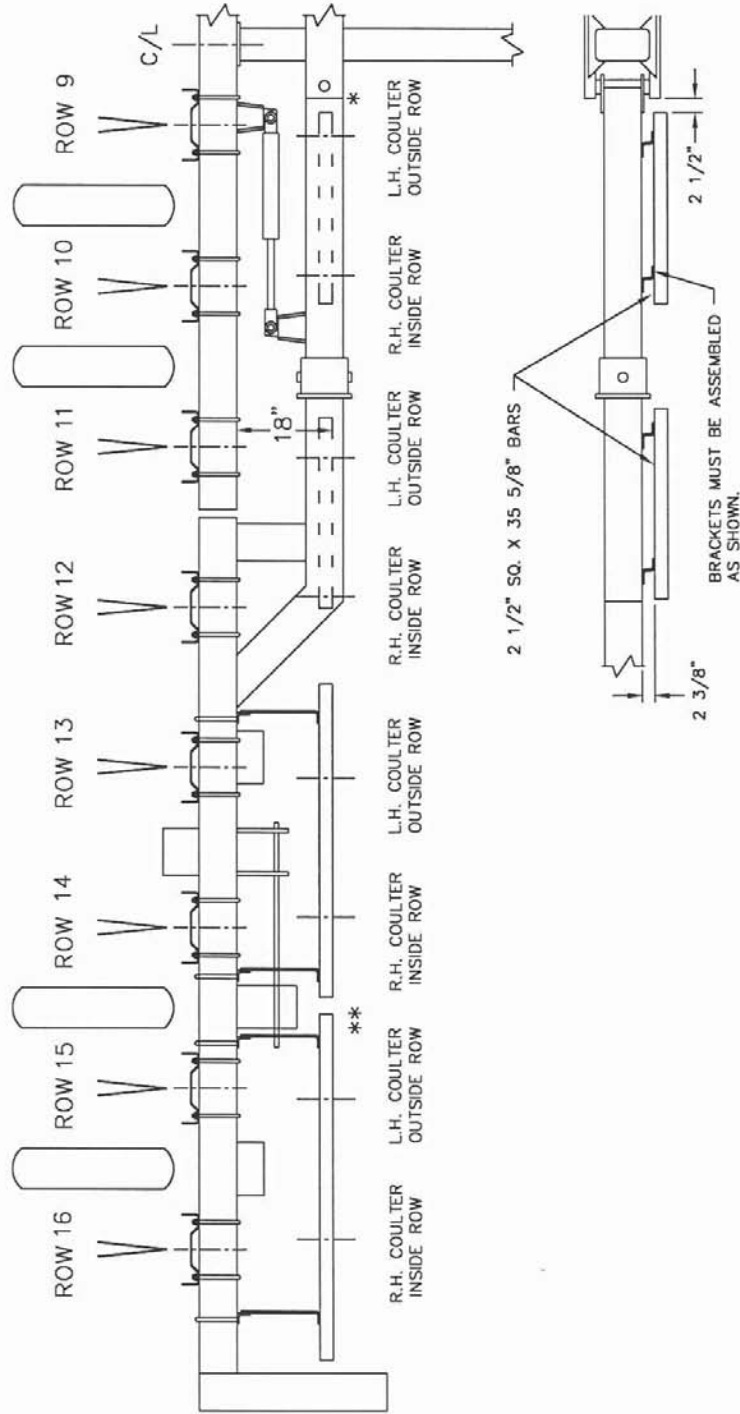
**ARRANGEMENT OF COULTERS AND BRACKETS
FOR
2990-177 FRONT FOLD KIT, JD, 8R, DRY FERTILIZER
ON JOHN DEERE 7200 8R-W FLEX FOLD PLANTERS**



**ARRANGEMENT OF COULTERS AND BRACKETS
FOR
2975-172 FRONT FOLD KIT, JD, 12R LIQUID FERTILIZER
WITH DOUBLE COULTERS ON JOHN DEERE 7200 FRONT FOLD PLANTERS**

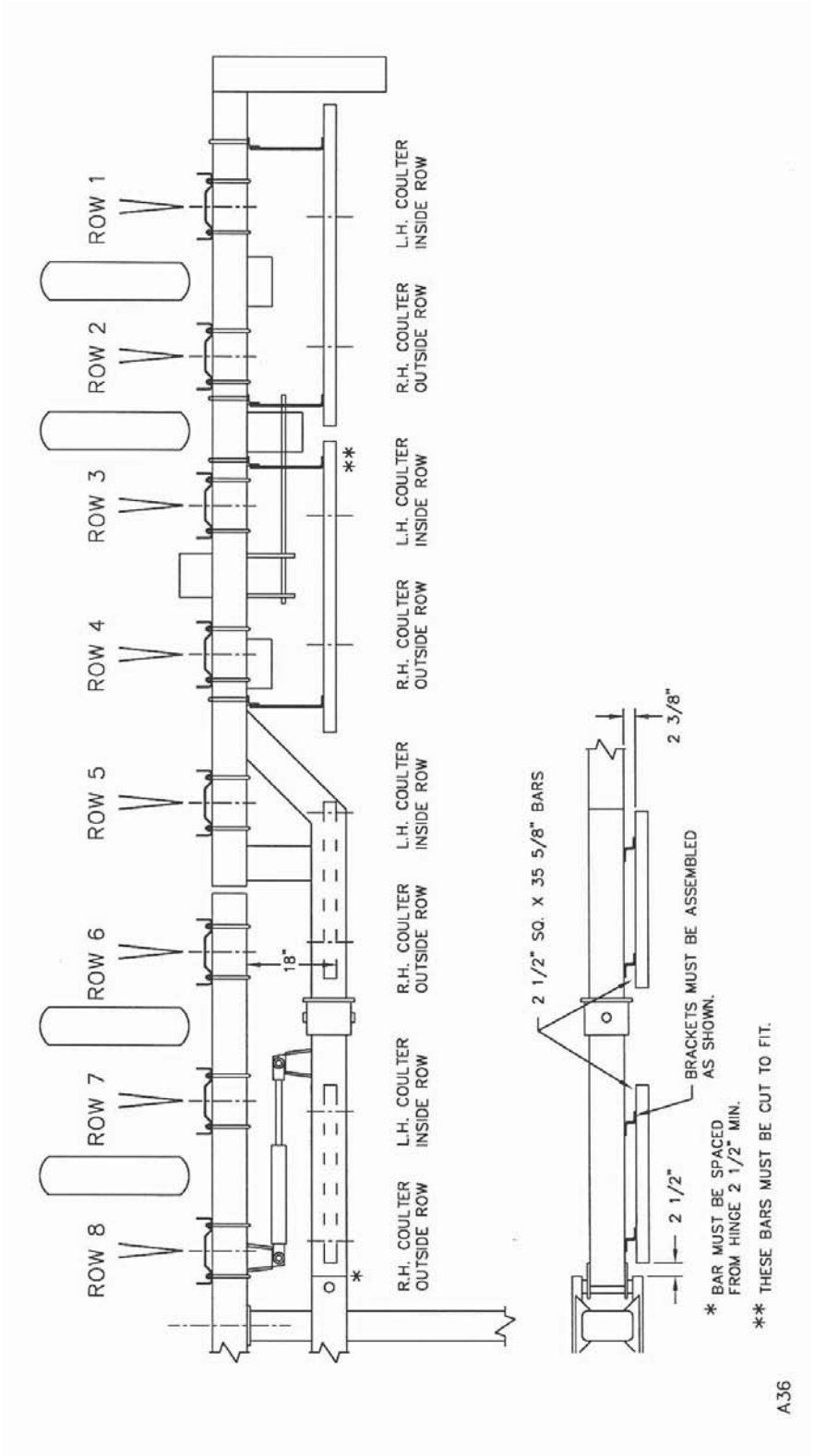


**ARRANGEMENT OF COULTERS AND BRACKETS
FOR
2975-128 FRONT FOLD 7200 16R FRONT BAR KIT
ON JOHN DEERE 16R-N FRONT FOLD PLANTERS**



A37

**ARRANGEMENT OF COULTERS AND BRACKETS
FOR
2975-128 FRONT FOLD 7200 16R FRONT BAR KIT
ON JOHN DEERE 7200 16R-N FRONT FOLD PLANTERS**



A36

Our name Is getting known

Just a few years ago, Yetter products were sold primarily to the Midwest only. Then we embarked on a program of expansion and moved into the East, the South, the West and now north into Canada. We're even getting orders from as far away as Australia and Africa.

So, when you buy Yetter products . . .you're buying a name that's recognized. A name that's known and respected. A name that's become a part of American agriculture and has become synonymous with quality and satisfaction in the field of conservation tillage.

Thank you.

YETTER MANUFACTURING CO.

Colchester, IL 62326-0358 • 309/776-4111

Toll Free 800/447-5777

Fax 309/776-3222

Website: WWW.YETTERCO.COM

E-MAIL: INFO@YETTERCO.COM