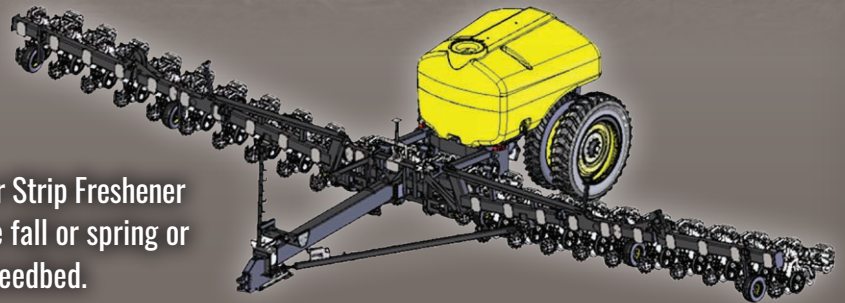




# FAST AG SOLUTIONS DURAPLACER TOOLBAR

**Fast, efficient seedbed preparation and fertilizer application.**

The Fast Ag Solutions DuraPlacer Toolbar pairs with Yetter Strip Freshener CCs for liquid or dry fertilizer placement. Strip-till in the fall or spring or freshen existing strips in the spring to create the ideal seedbed.



## FAST DURAPLACER TOOLBAR FEATURES

- » Available as 16- or 24-row toolbar with liquid or dry options
  - » 1,800- or 2,400-gal. low-profile liquid fertilizer tank
  - » 9-, 13-, or 14-ton dry fertilizer system (Montag or Lynx)
- » Narrow transport width of 15'3"
- » Available with single/dual tires or track options
- » 30" row spacing (40' or 60' models)
- » Application speeds up to 8–10 mph
- » Main wings flex 6° up and 13° down; flip wings flex 9° up and 8° down
- » Horsepower requirements depend on terrain, speed, depth, and fertilizer (325 hp and up)
- » Hydraulic down pressure on both main and flip wings
- » One hydraulic remote controls all fold functions
- » Retractable tongue reduces length in field position
- » Road light package
- » Hydraulic pump/3" Quick-Fill
- » Four adjustable gauge wheels
- » Durable powder-coat finish





# STRIP FRESHENER CAB CONTROL

**Make adjustments with cab control for changing field conditions with the 2984 Strip Freshener CC.**

- » Create new strips in the fall/spring or freshen existing strips in the spring
- » Operate at 6 to 10 mph and at 1 1/2" to 4" deep, depending on depth setting
- » Adjustable depth control
- » Fine-tune row cleaner and rolling basket air pressure from the cab

**TOOLBAR OPTIONS FOR STRIP FRESHENER CC:**

- » 3-point Yetter toolbar sizes: 15', 20', 30', 40'
- » **NEW!** Fast Ag Solutions DuraPlacer Toolbar (see reverse side)
- » Universal mounting bracket fits 4" x 6", 5" x 7", 6" x 6", and 7" x 7" toolbar sizes

