

WHITE 6100 PULL TYPE PLANTER

Without 3" x 3" Diamond White Fertilizer bar

4 Row Narrow / Wide, 6 Row Narrow, 6 Row Wide, 8 Row Narrow, 8 Row Wide, and 12 Row Narrow

Model No.'s to Order for each planter configuration		Quantity to order for each planter						
		4R N/W	6 R N	6 R W	8 R N	8 R W	12 R N	
DRY FERT.								
COULTER FRAME MOUNTED		NOT AVAILABLE						
Unit Mounted	2959-003 (2" offset fert. injection)							
Liquid Fertilizer Coulters	w/	2967-180B Residue manager Optional						
		Residue Managers require white setback for rows behind the driveshaft						
	or	2962-003A and 2962-004A RUMDDFO	4	6	6	8	8	12
	w/	2962-005B (Residue Manager for 2962-003A/-004A) Optional						
		Residue Managers require white setback for rows behind the driveshaft						
CONSERVATION COULTERS ONLY		2960-033 Coulters w/ U.N.T. Bracket** Choice of blade	4	6	6	8	8	12
	or	2960-127 Unit coulters only**						
CLEAN UP CREW ONLY		2940-005B Pneumatic assembly						
	or	2967-013B Short / Narrow UNT						
	or	2967-028A Universal unit mounted residue manager						
	or	2967-029B Short U.N.T.						
	or	2967-048A Narrow Row Unit Mount residue manager						
	or	2967-052A Screw Adjust residue manager						
	or	2967-054A Narrow row Screw Adjust residue manager						
COULTER/ RESIDUE MANAGER COMBO		2967-007A U.N.T. Residue Manager Kit						
	or	2967-115A (for use with 2960-127 unit coulters)						
		2967-070 (Quick adjust kit) Optional						
		Residue Managers require white setback for rows behind the driveshaft						

** See the price book for blade choices.

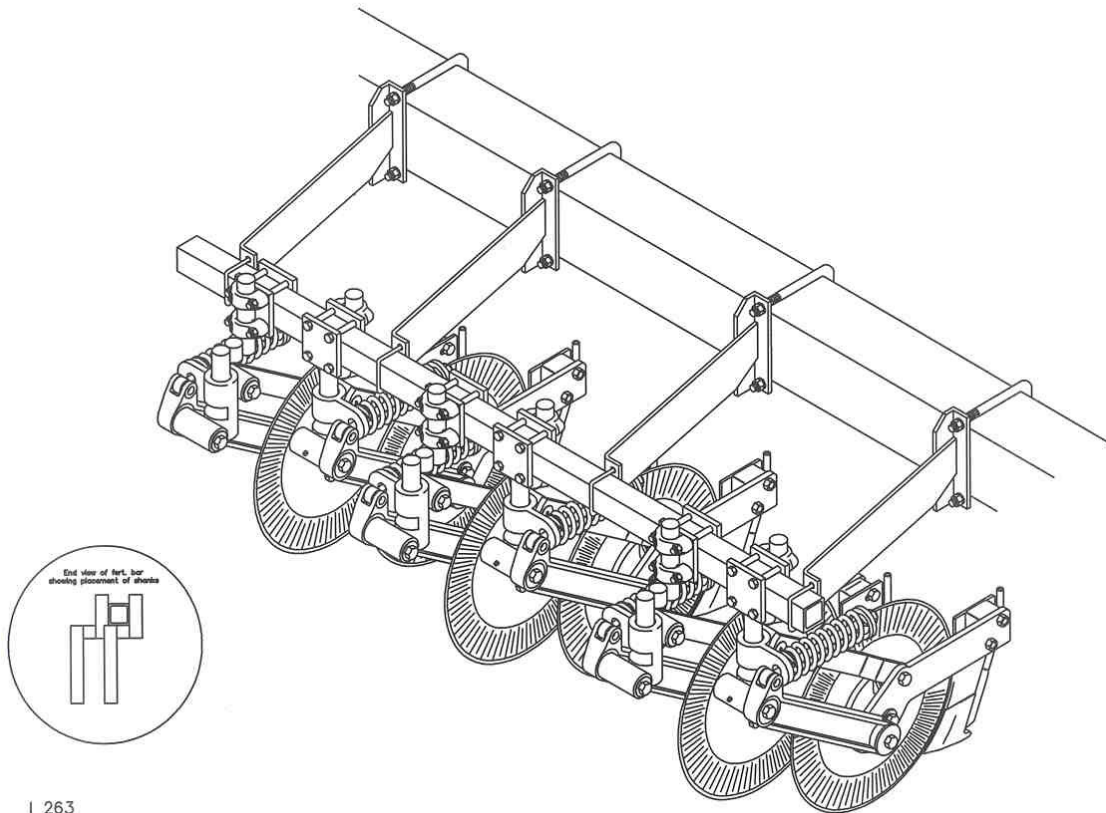
*** The front bar kit may require some cutting.

**** The Clean Up Crew cannot be used with planter Main Frame mounted coulters
(White's part number for their Frame mounted coulters is 6000139)

WHITE 6100 Series Planter

4, 6, 8 and 12 Row

Equipped with: 2990-148 (front bar mount kit)
2995-065-L/R liquid fert coulters
2990-154 Clamp kit 2 ½ sq. bar
2990-208 3" offset shank



I 263

(partial illustration of 6 row model shown)
Illustration may not accurately depict row spacing.

Note - For double coulters with other coulters combinations, the same configuration shown would apply.

WHITE 6100 PULL TYPE PLANTER

Equipped with 3" x 3" Diamond White Fertilizer bar

4 Row Narrow / Wide, 6 Row Narrow, 6 Row Wide, 8 Row Narrow, 8 Row Wide, and 12 Row Narrow

<i>Model No.'s to Order for each planter configuration</i>		<i>Quantity to order for each planter</i>					
		4R N/W	6 R N	6 R W	8 R N	8 R W	12 R N
LIQUID FERT. COULTER FRAME MOUNTED	2995-017 or 2995-065-L/R^ <i>order 2990-159 & 3010-303 and choice of blade</i>	4 or 2 and 2	6 or 3 and 3	6 or 3 and 3	8 or 4 and 4	8 or 4 and 4	12 or 6 and 6
DRY FERT. COULTER FRAME MOUNTED	2995-075-R/L ^ <i>order 2990-159 & 3010-303 and choice of blade</i>	2 and 2	3 and 3	3 and 3	4 and 4	4 and 4	6 and 6
Unit Mounted Liquid Fertilizer Coulters	White part# 852961 (extension plate)*** Required	2	2	2	2	2	2
2960 UNIT MOUNTED CONSERVATION COULTERS ONLY	2959-003 (2" offset fert. injection) 6100 only w/ 2967-180B (Residue Manager for 2959-003) Optional Residue Mangers require White setback kits behind driveshaft or 2962-003A and 2962-004A RUMDDFO w/ 2962-005B (Residue Manager for 2962-003A/-004A) Optional Residue Mangers require White setback kits behind driveshaft	4	6	6	8	8	12
2960 UNIT MOUNTED CONSERVATION COULTERS ONLY	2960-033 Coulters w/ U.N.T. Bracket** or 2960-127 (unit coulters only)** Choice of blade	4	6	6	8	8	12
CLEAN UP CREW ONLY	2940-005B Pneumatic assembly or 2967-013B Short / Narrow UNT or 2967-028A Universal unit mounted residue manager or 2967-029B Short UNT or 2967-048A Narrow Row Unit Mount residue manager or 2967-052A Screw Adjust residue manager or 2967-054A Narrow Row Screw adjust residue manager	4	6	6	8	8	12
COULTER/ RESIDUE MANAGER COMBO	2967-007A UNT Titan or 2967-115A (for use with 2960-127 unit coulters Residue Mangers require White setback kits behind driveshaft) or 2967-070 (Quick adjust kit) Optional	6	6	6	8	8	12

** See the price book for blade choices.

*** White extension plate is required to be mounted between the end of the planter main frame and the marker to extend the 3" x 3" fert. bar forward.

***** The Clean Up Crew cannot be used with planter Main Frame mounted coulters (White's part number for their Frame mounted coulters is 6000139)

WHITE 6100 PULL TYPE PLANTER

Equipped with 3" x 3" Diamond White Fertilizer bar

4 Row Narrow / Wide, 6 Row Narrow, 6 Row Wide, 8 Row Narrow, 8 Row Wide, and 12 Row Narrow

Model No.'s to Order for each planter configuration

		<i>Quantity to order for each planter</i>					
		4R N/W	6 R N	6 R W	8 R N	8 R W	12 R N
DOUBLE COULTERS							
2 LIQUID FERT. COULTERS	2995-065-L (fits 3" x 3" diam bar)^ order 2990-159 & 3010-303 and choice of blade	4	6	6	8	8	12
	2995-065-R (fits 3" x 3" diam bar)^ order 2990-159, 3011-302 & blade	4	6	6	8	8	12
	White part# 852961 (extension plate)*** Required	2	2	2	2	2	2
1 DRY / 1 LIQUID FERT. COULTERS	2995-075-L (fits 3" x 3" daim bar)^ order 2990-159 & 3010-303 and choice of blade	4	6	6	8	8	12
	2995-065-R (fits 3" x 3" diam bar)^ order 2990-159 & 3011-302 and choice of blade	4	6	6	8	8	12
	White part# 852961 (extension plate)*** Required	2	2	2	2	2	2
1 LIQUID FERT. AND 1 COMBO UNIT	2995-065-L and 2995-065-R^ order 2990-159 & 3011-302 and choice of blade	2 and 2	3 and 3	3 and 3	4 and 4	4 and 4	6 and 6
	2960-033 CLTR W/U.N.T. BRKT ** or 2960-127 (unit coultter only)**	4	6	6	8	8	12
	2967-007A U.N.T. RESIDUE MANAGER KIT WHITE SETBACK BRACKETS REQUIRED FOR ROWS BEHIND DRIVESHAFT or 2967-115A (for use with 2960-127 unit coultter)	4	6	6	8	8	12

** See the price book for blade choices.

*** White extension plate is required to be mounted between the end of the planter main frame and the marker to extend the 3" x 3" fert. bar forward.

***** The Clean Up Crew cannot be used with planter Main Frame mounted coultters
(White's part number for their Frame mounted coultter is 6000139)